



US00D442421S

(12) **United States Design Patent**  
**Cragg**

(10) **Patent No.:** **US D442,421 S**

(45) **Date of Patent:** **\*\* May 22, 2001**

(54) **BARBECUE GRILL SHAPED LIKE A BLIMP**

(76) Inventor: **Brandon Cragg**, 119 Merriam Ave.,  
Newton, NJ (US) 07860

(\*\*) Term: **14 Years**

(21) Appl. No.: **29/123,811**

(22) Filed: **May 25, 2000**

(51) **LOC (7) Cl.** ..... **07-02**

(52) **U.S. Cl.** ..... **D7/332; D7/334**

(58) **Field of Search** ..... D7/332-337, 402-404;  
D21/447, 450; 446/225; 99/419, 421 R;  
126/25 R, 25 A, 25 AA, 9 R, 39 R, 41 R

(56) **References Cited**

**U.S. PATENT DOCUMENTS**

- D. 288,216 \* 2/1987 Jensen ..... D21/440
- D. 421,200 \* 2/2000 Taylor, Jr. .... D7/332
- D. 425,367 \* 5/2000 Cragg ..... D7/402
- 4,085,912 \* 4/1978 Slater ..... 244/25
- 4,272,042 \* 6/1981 Slater ..... 244/115
- 5,110,070 \* 5/1992 Hagenlocher et al. .... 244/125

5,285,986 \* 2/1994 Hagenlocher ..... 244/97

\* cited by examiner

*Primary Examiner*—Ruth McInroy

(74) *Attorney, Agent, or Firm*—Robert M. Downey, PA

(57) **CLAIM**

The ornamental design for a barbecue grill shaped like a blimp, as shown and described.

**DESCRIPTION**

FIG. 1 is a front top perspective view of a barbecue grill shaped like a blimp showing my new design with the lid being in an open position;

FIG. 2 is a front elevational view thereof with the lid in a closed position;

FIG. 3 is a rear elevational view thereof;

FIG. 4 is a left end elevational view thereof;

FIG. 5 is a right end elevational view thereof;

FIG. 6 is a top plan view thereof; and,

FIG. 7 is a bottom plan view thereof.

The broken lines showing the barbecue cart, including the console panel with controls and the gas tank, are for illustrative purposes only and form no part of the claimed design.

**1 Claim, 5 Drawing Sheets**

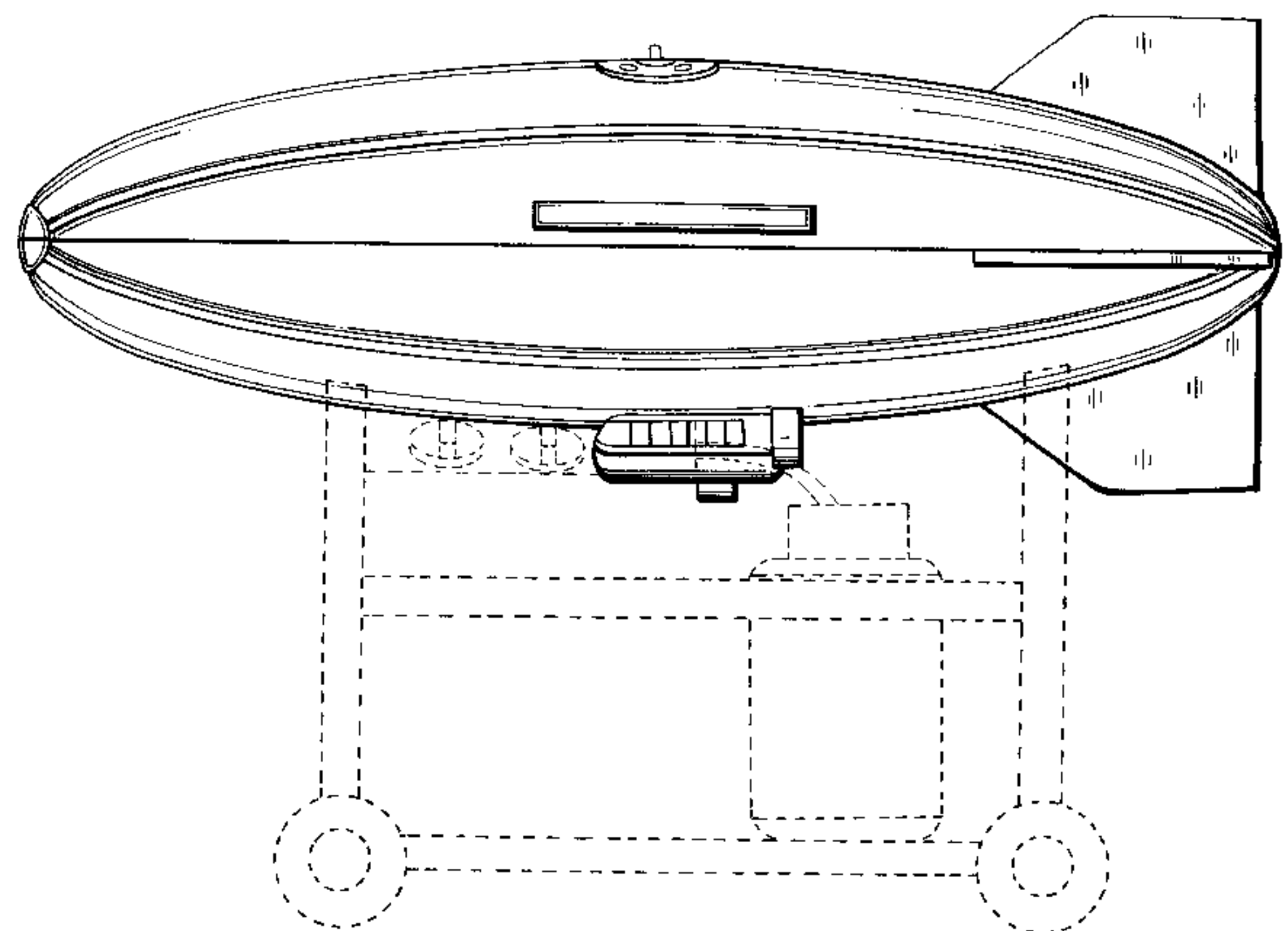
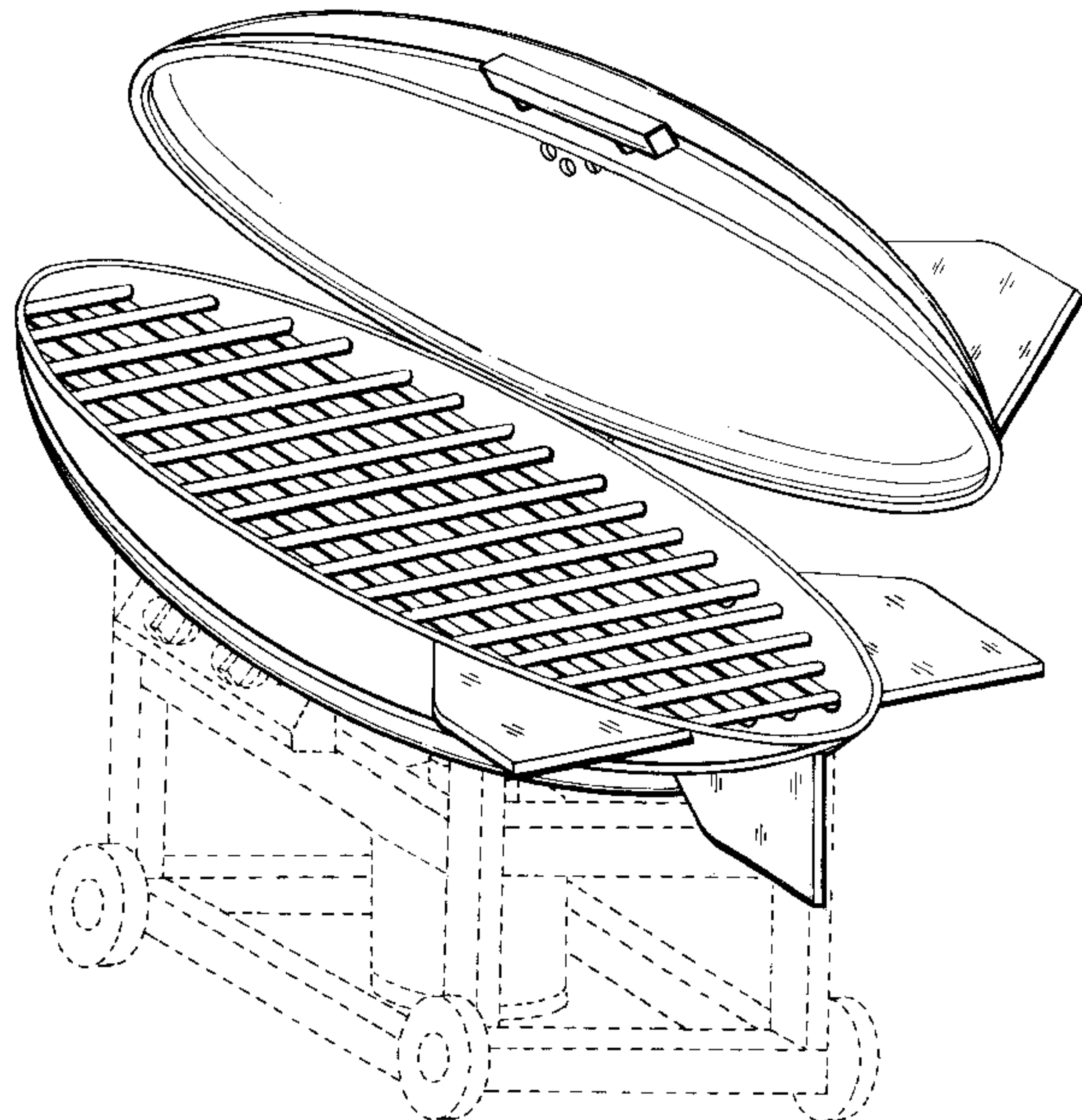
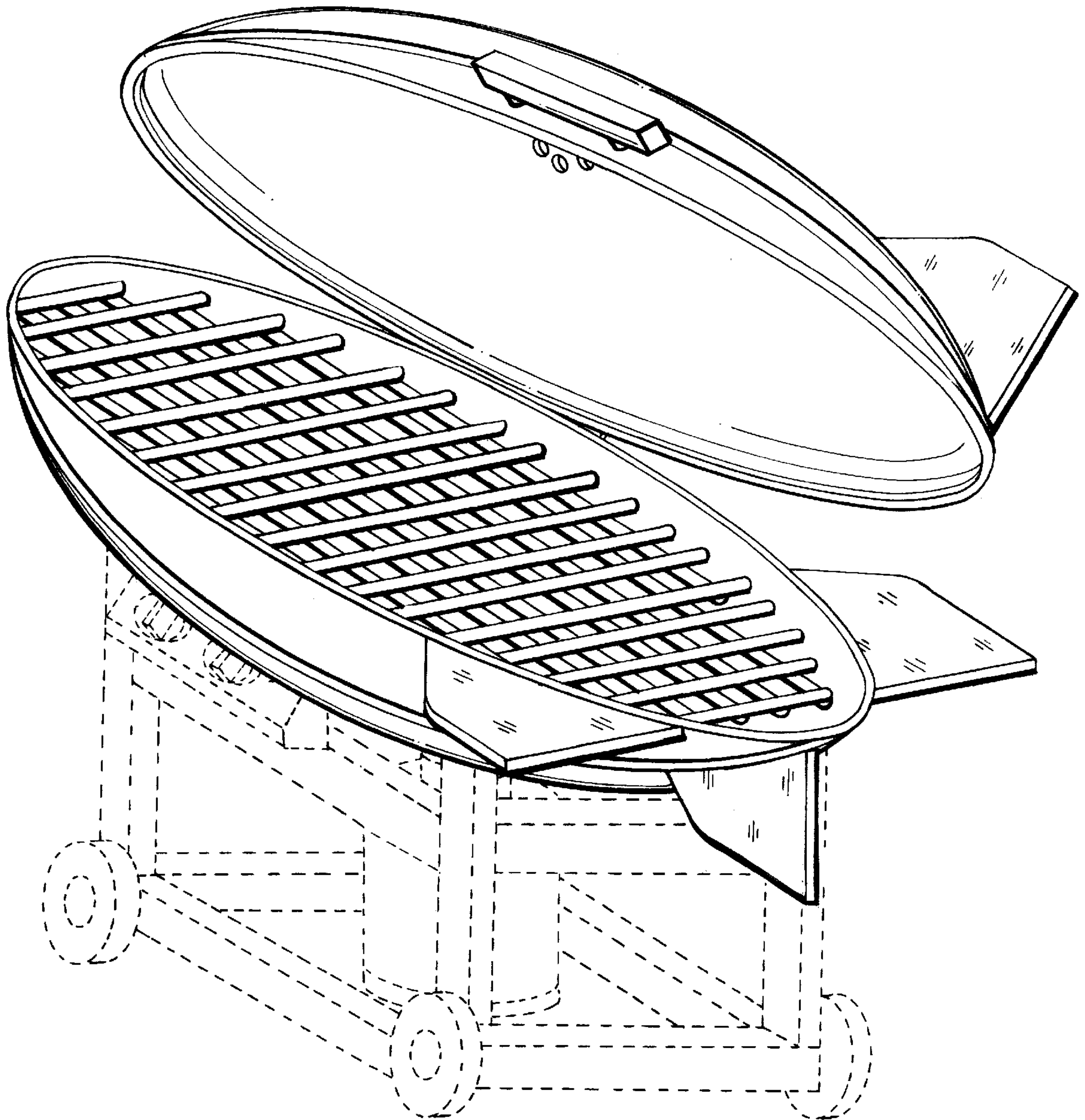


FIG. 1



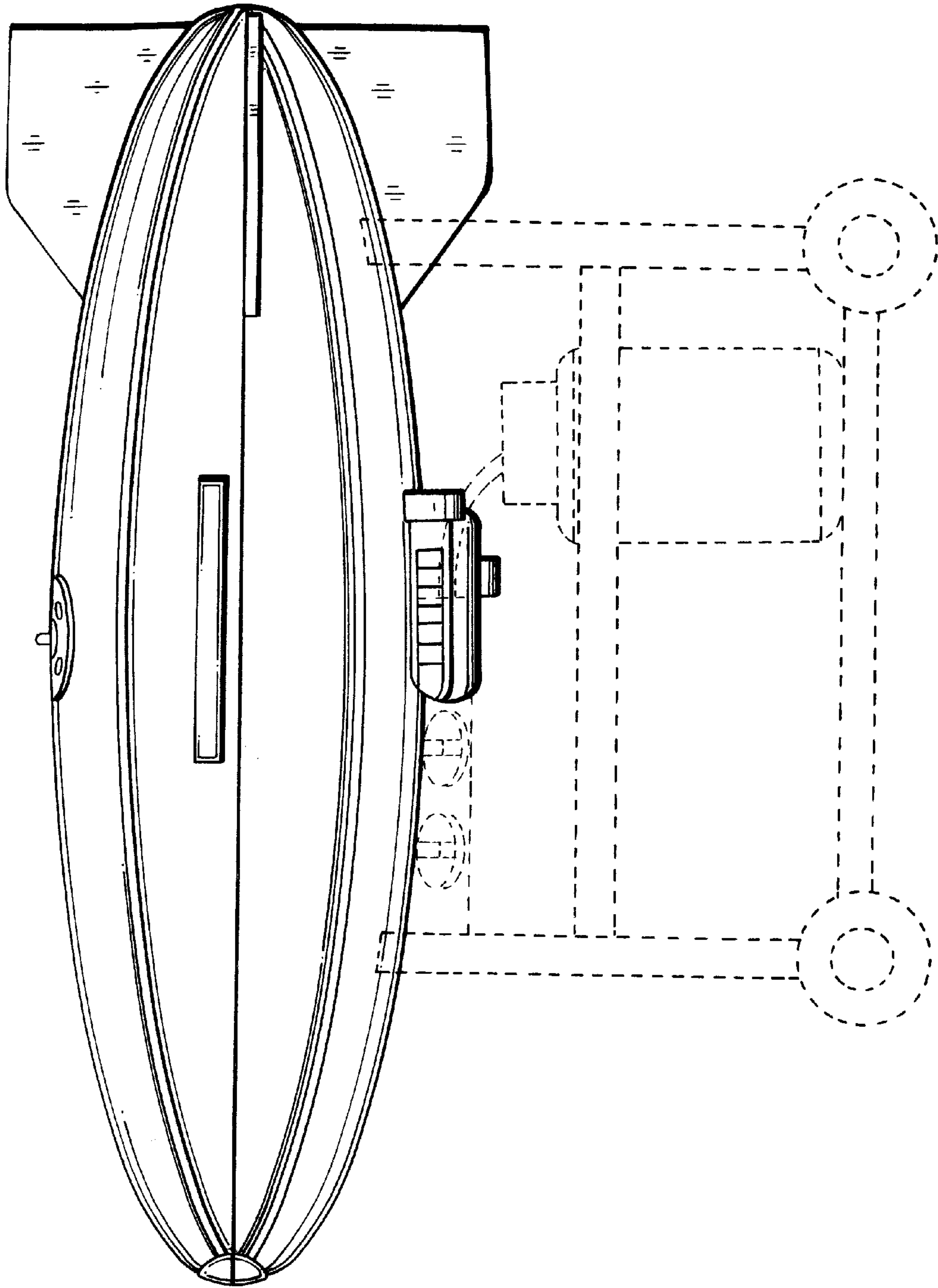


FIG. 2



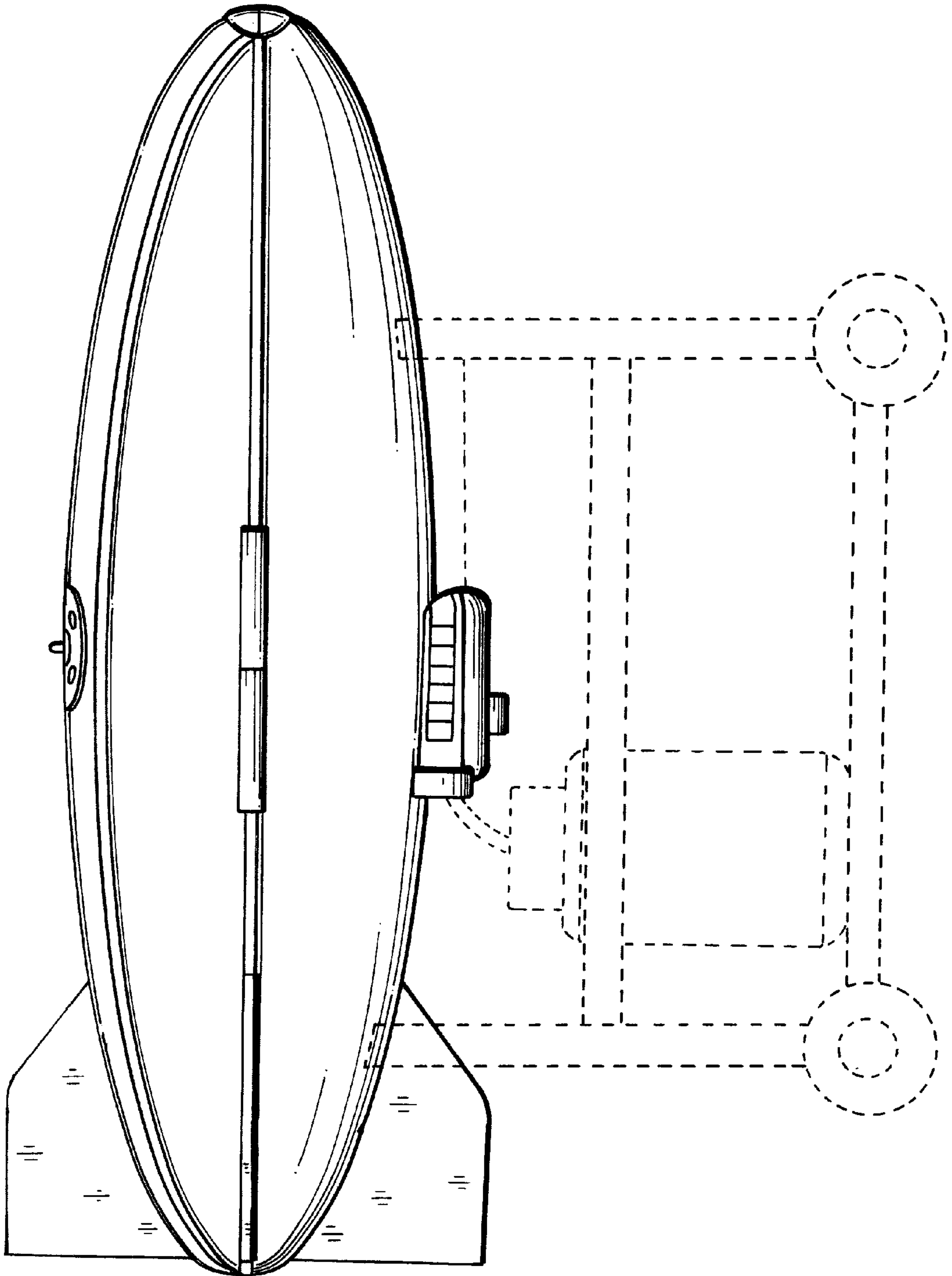


FIG. 3

FIG. 5

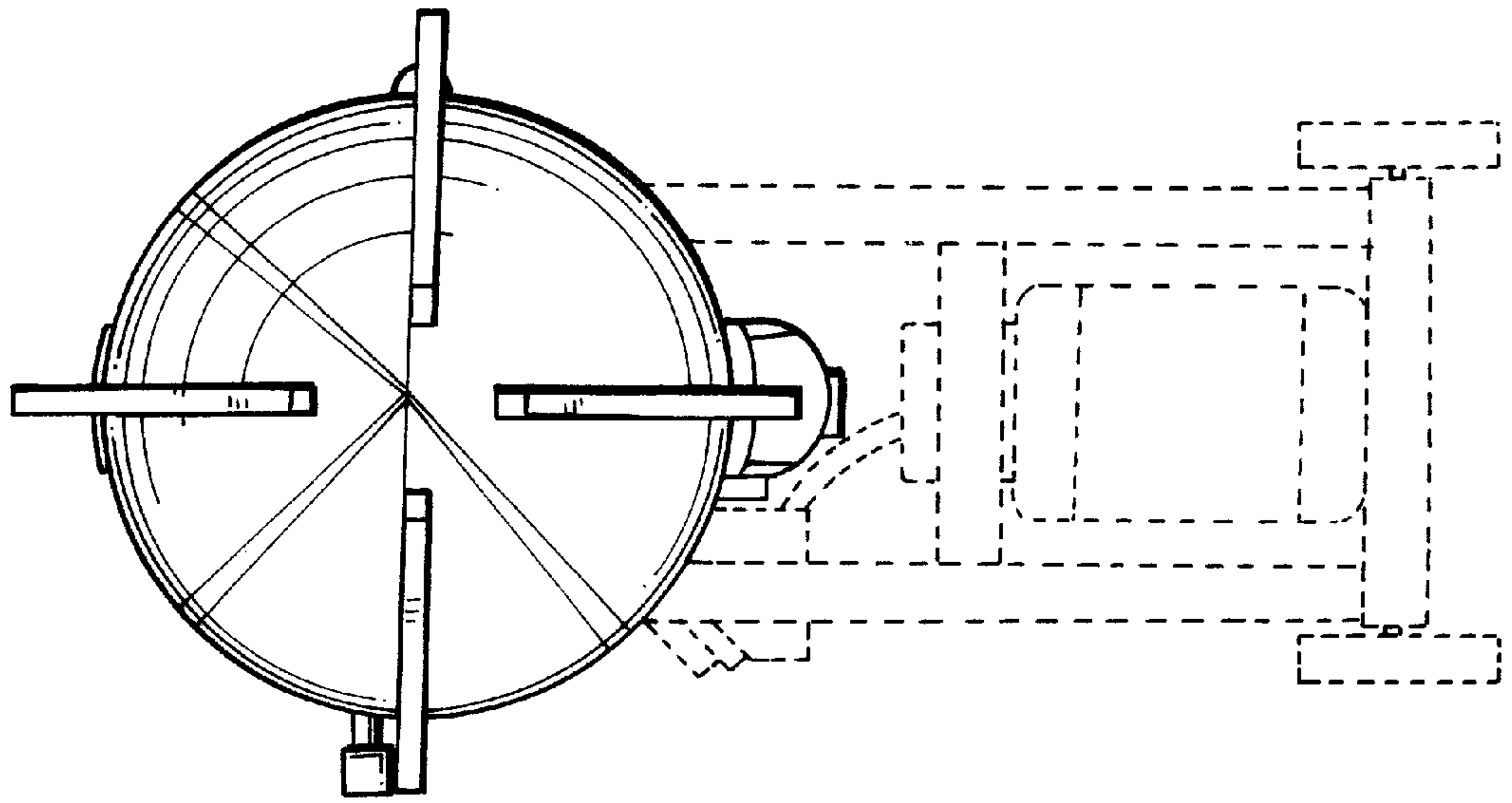
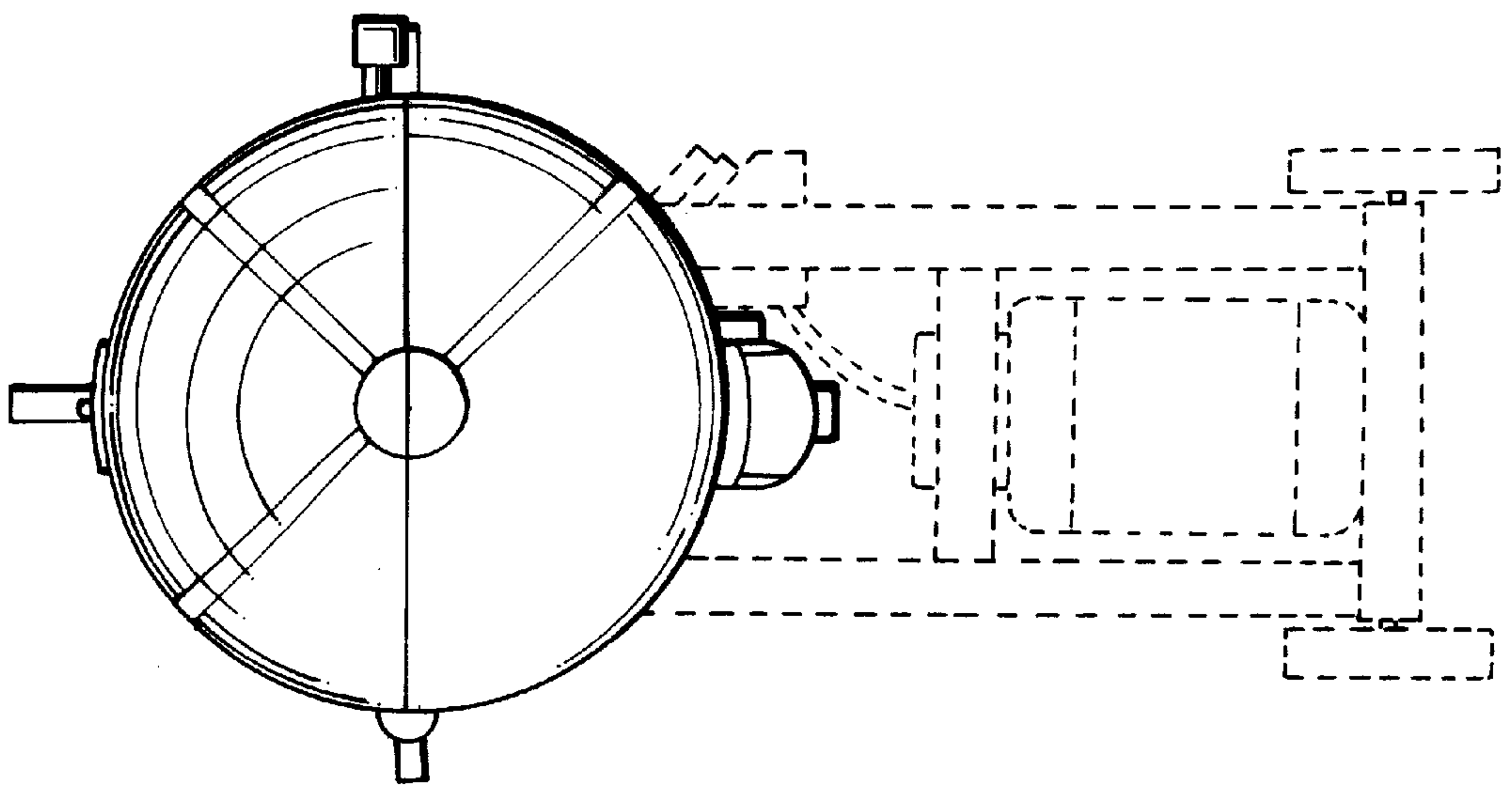


FIG. 4



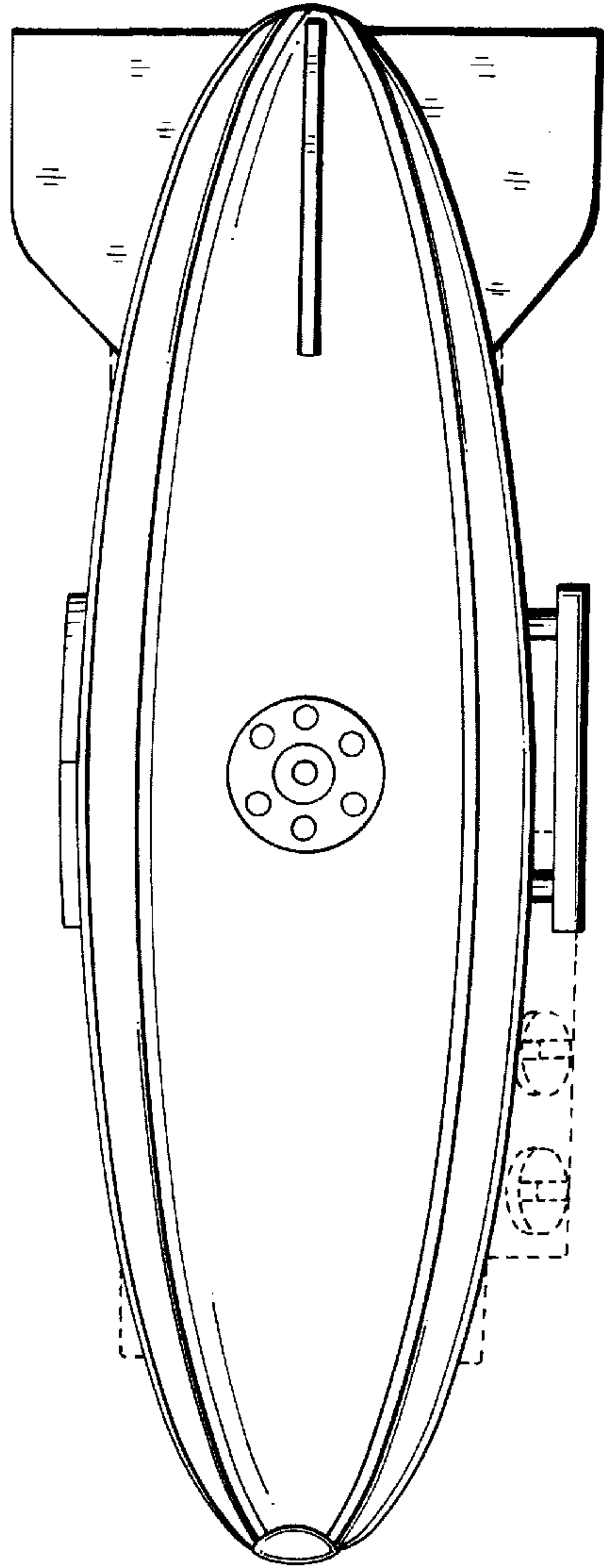


FIG. 6

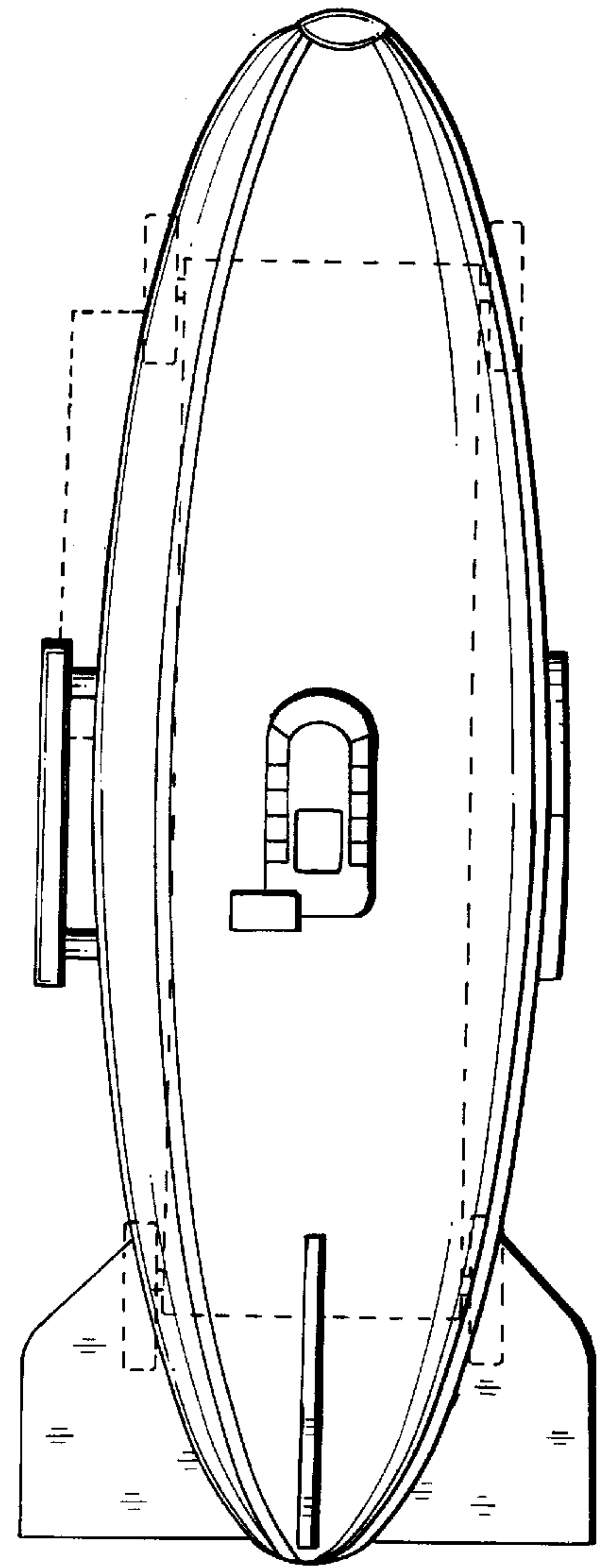


FIG. 7