



US00D442420S

(12) **United States Design Patent**
Cragg

(10) **Patent No.:** **US D442,420 S**

(45) **Date of Patent:** **** May 22, 2001**

(54) **BARBECUE GRILL SHAPED LIKE GLOBE**

3,016,629 * 1/1962 Case 434/147

4,414,731 * 11/1983 Riemer 29/453

(76) Inventor: **Brandon Cragg**, 119 Merriam Ave.,
Newton, NJ (US) 07860

4,761,138 * 8/1988 Niesyn 434/143

5,180,907 * 9/1992 Desmarals 273/240

(**) Term: **14 Years**

* cited by examiner

(21) Appl. No.: **29/123,810**

Primary Examiner—Ruth McInroy

(74) *Attorney, Agent, or Firm*—Robert M. Downey, PA

(22) Filed: **May 25, 2000**

(57) **CLAIM**

(51) **LOC (7) Cl.** **07-02**

The ornamental design for a barbecue grill shaped like globe, as shown and described.

(52) **U.S. Cl.** **D7/332; D7/334**

(58) **Field of Search** D7/332–337, 402–404;
D21/714, 498; 99/419, 421 R; 126/25 R,
25 A, 25 AA, 9 R, 36 R, 41 R

DESCRIPTION

(56) **References Cited**

FIG. 1 is a front top perspective view of a barbecue grill showing my new design;

FIG. 2 is a front elevational view thereof;

FIG. 3 is a rear elevational view thereof;

FIG. 4 is a top plan view thereof;

FIG. 5 is a bottom plan view thereof;

FIG. 6 is a right end elevational view thereof; and,

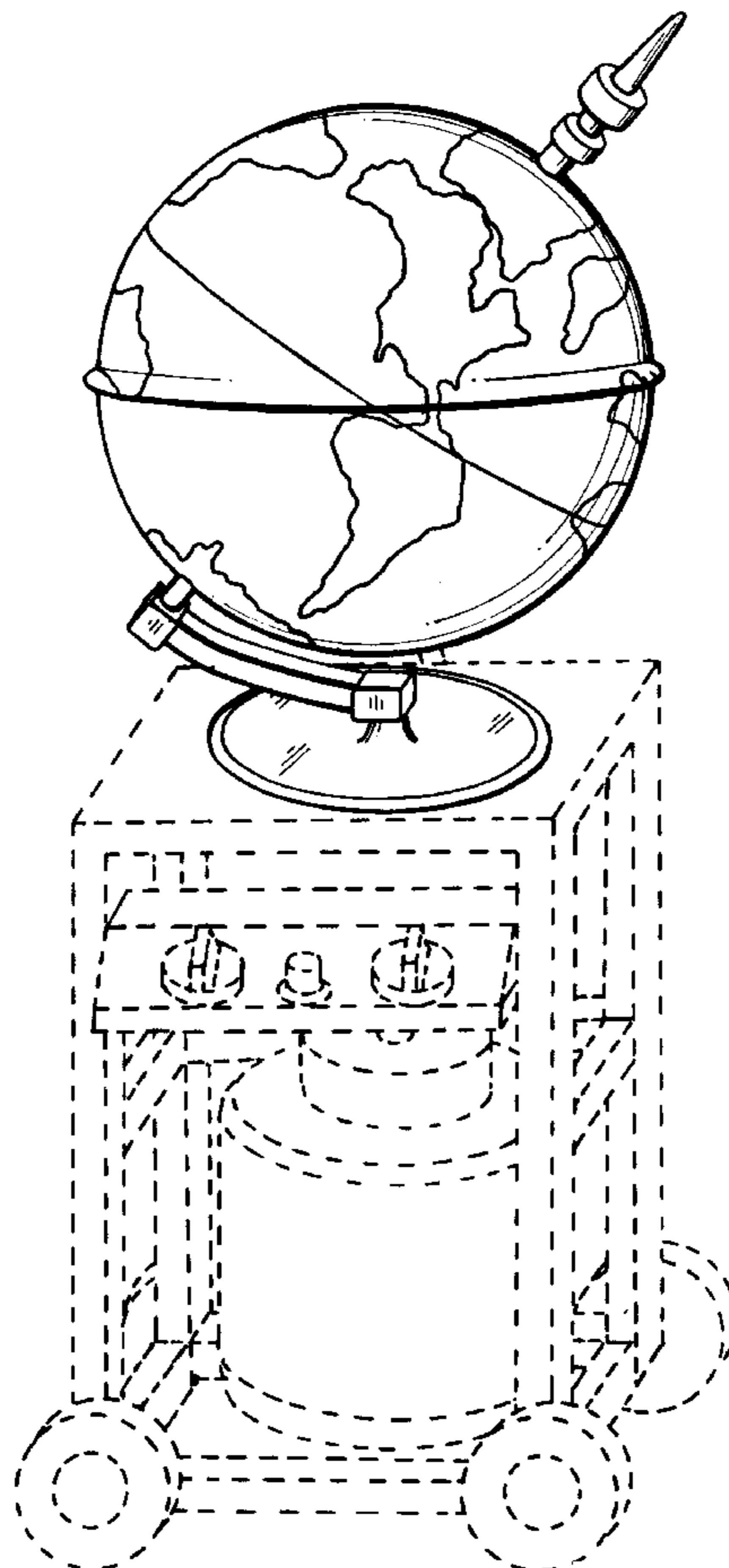
FIG. 7 is a left end elevational view thereof.

The broken lines showing the barbecue cart, including the console panel with controls and the gas tank, are for illustrative purposes only and form no part of the claimed design.

U.S. PATENT DOCUMENTS

D. 216,365	*	12/1969	Benz	D19/61
D. 352,312	*	11/1994	Butler	D19/61
D. 407,747	*	4/1999	Liu	D19/28
D. 416,044	*	11/1999	Martin	D19/61
D. 417,466	*	12/1999	Ho	D19/61
D. 430,990	*	9/2000	Cragg	D7/402
D. 431,155	*	9/2000	Cragg	D7/402
D. 432,862	*	10/2000	Cragg	D7/402
D. 433,874	*	11/2000	Cragg	D7/402

1 Claim, 3 Drawing Sheets



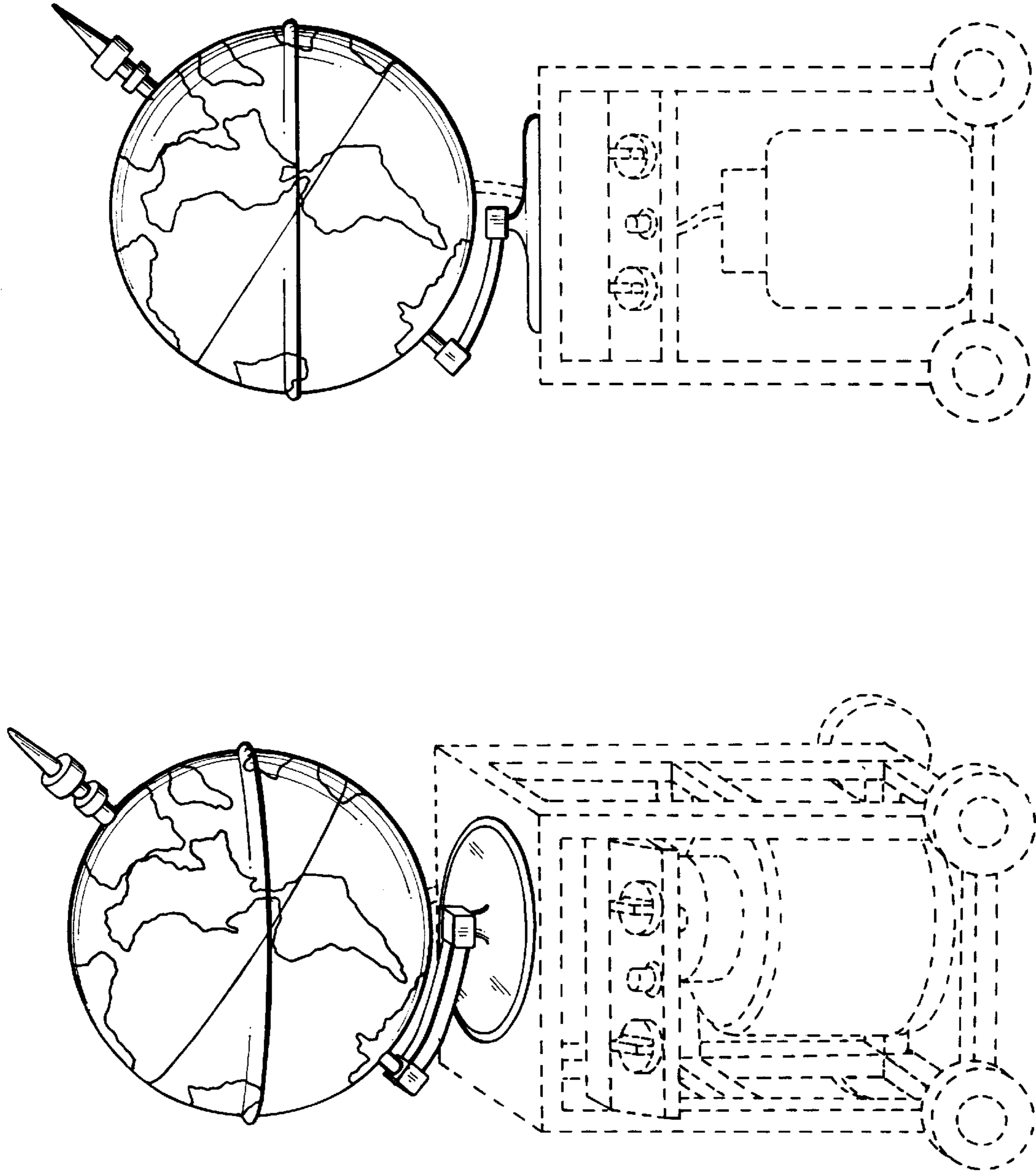


FIG. 2

FIG. 1

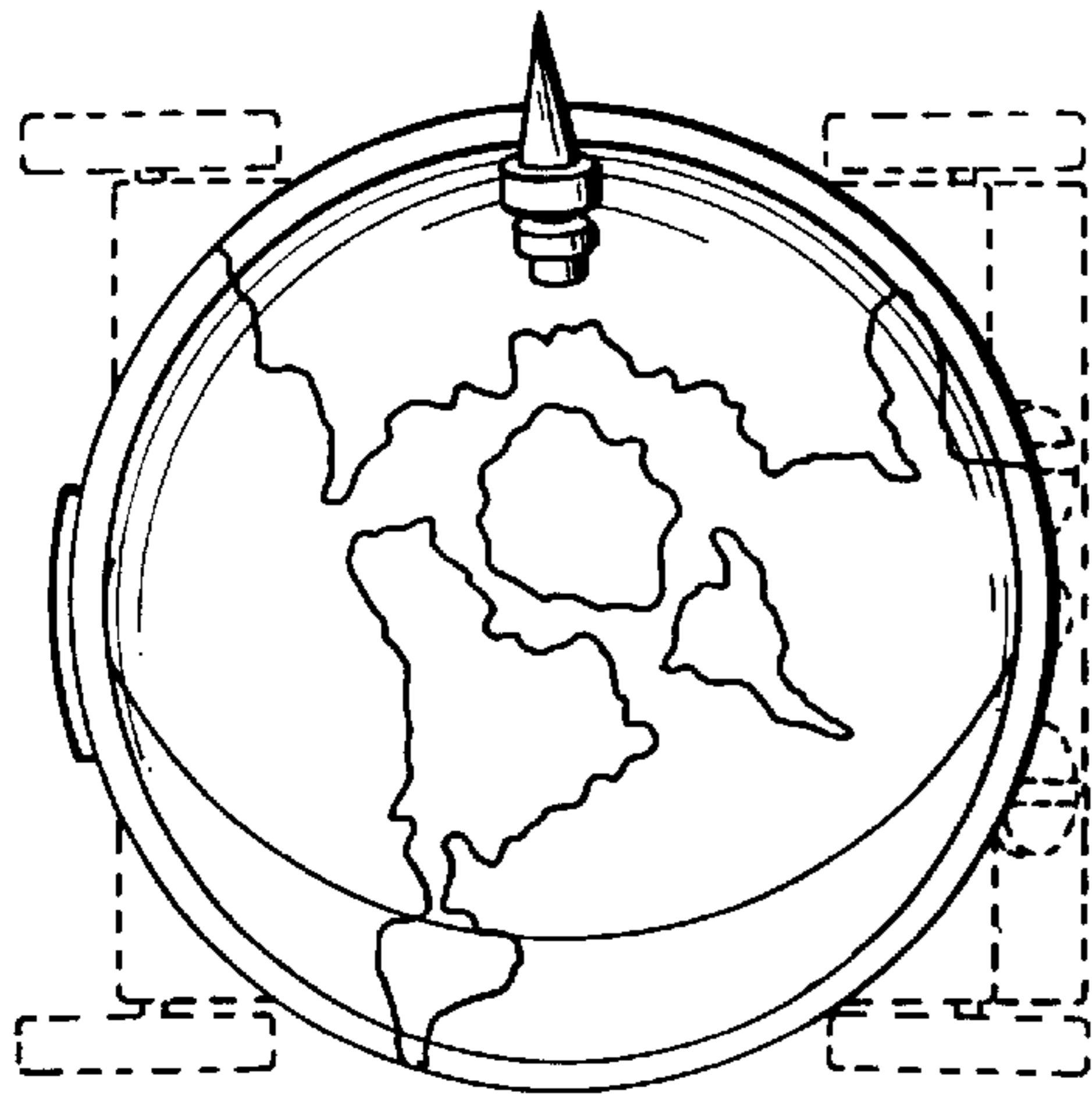


FIG. 4

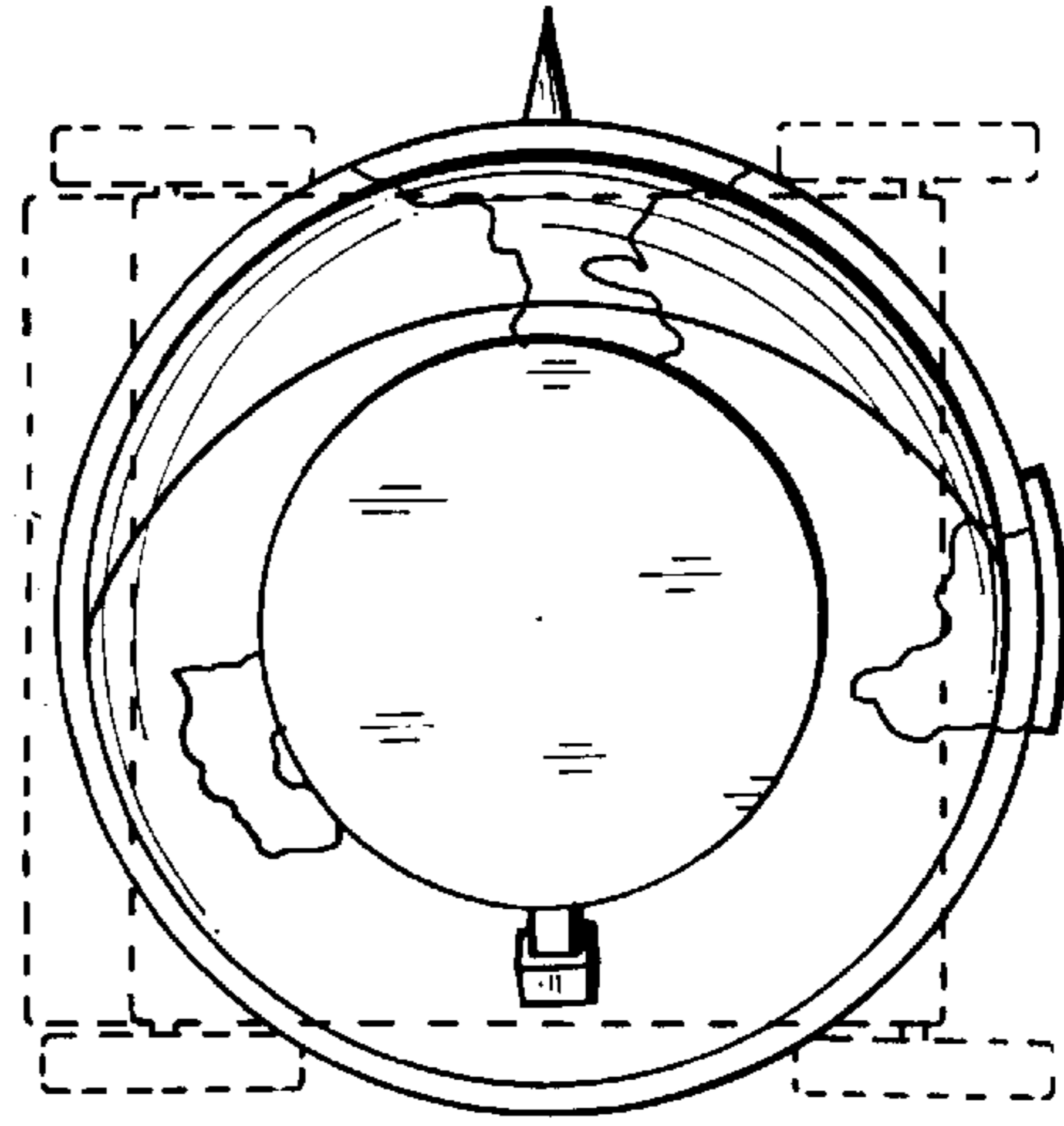


FIG. 5

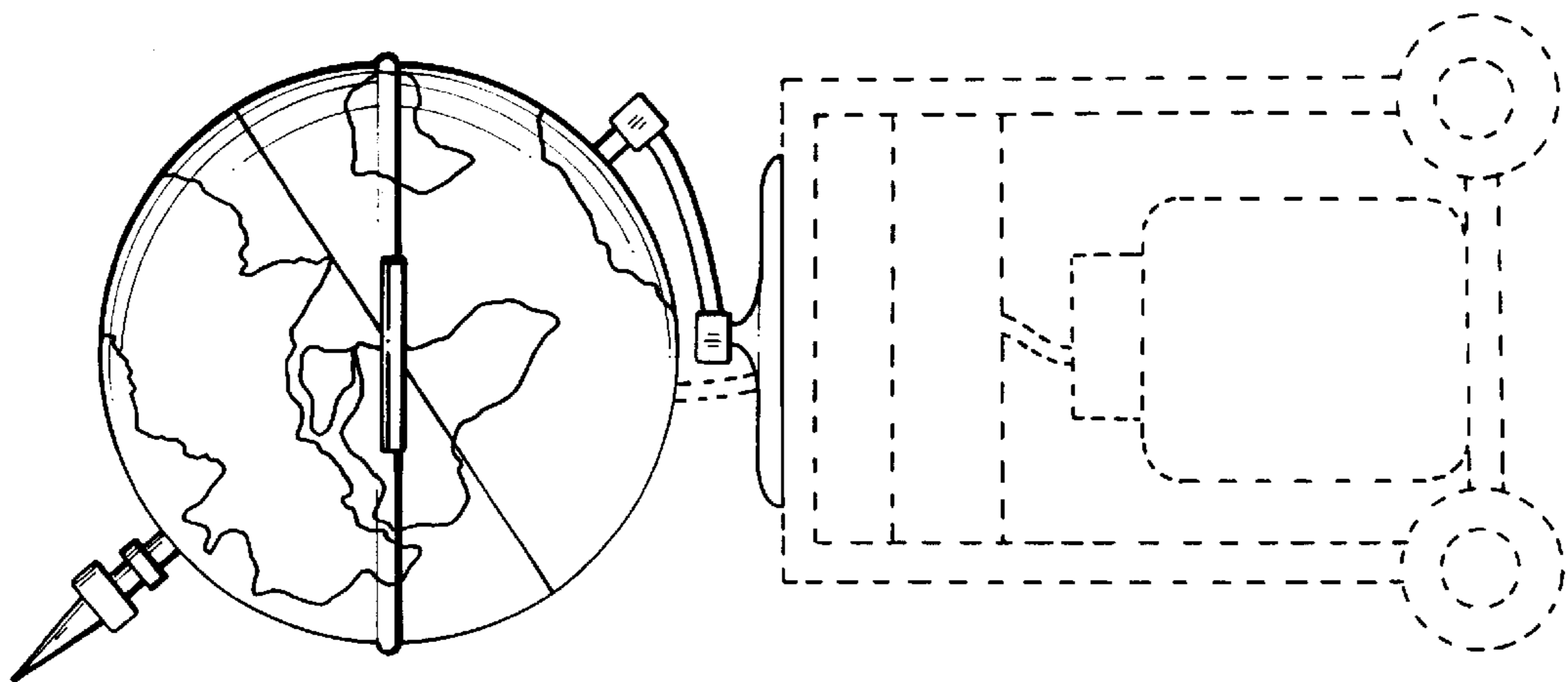


FIG. 3

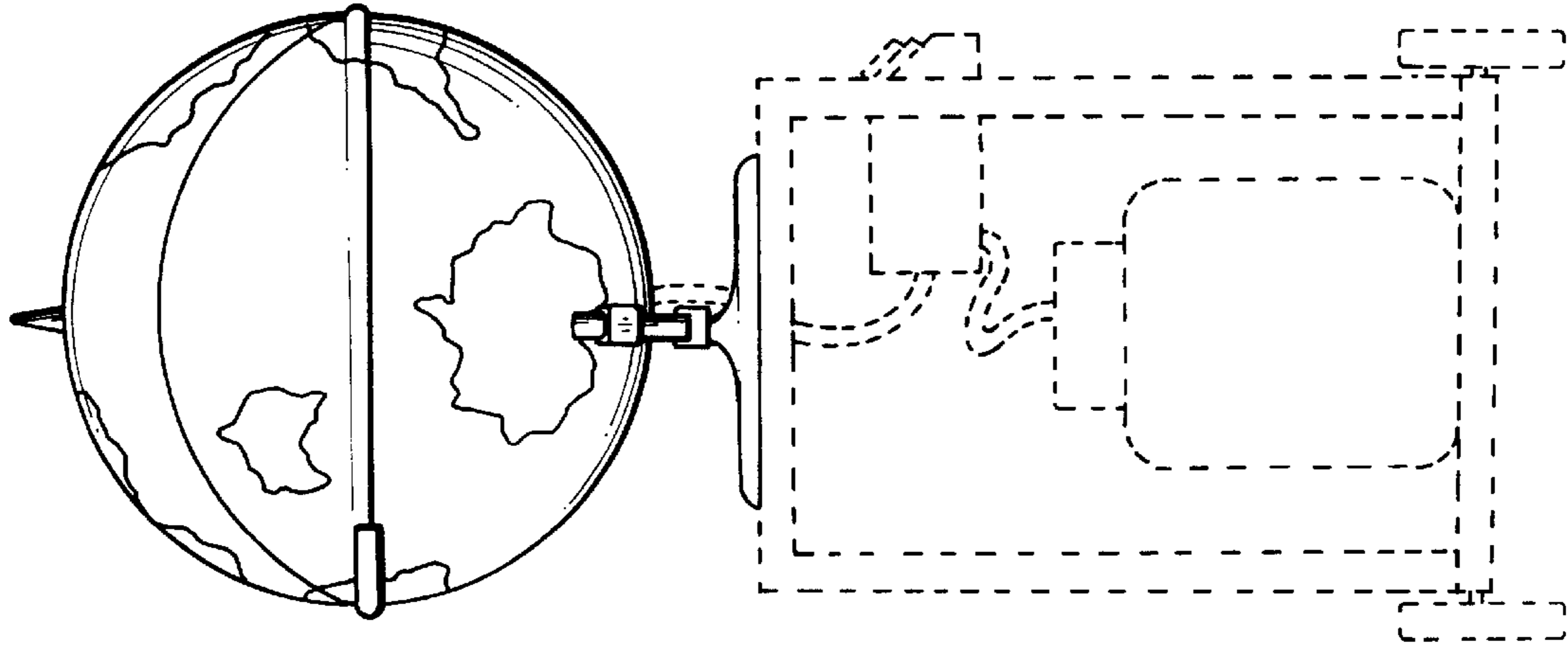


FIG. 7

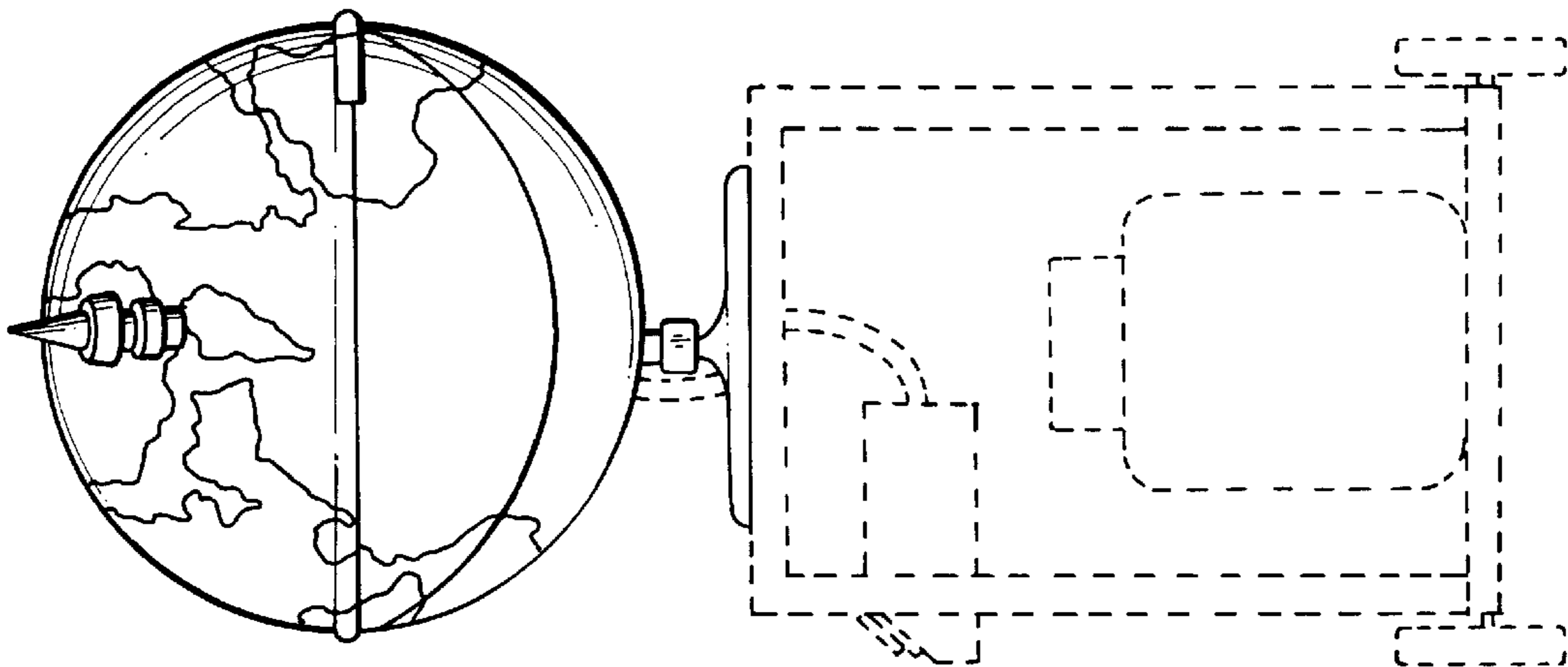


FIG. 6