



US00D442419S

(12) **United States Design Patent**
Carrere

(10) **Patent No.:** **US D442,419 S**

(45) **Date of Patent:** **** May 22, 2001**

(54) **TOASTER**

(75) Inventor: **Eric Carrere, Lyons (FR)**

(73) Assignee: **SEB, Selongey (FR)**

(**) Term: **14 Years**

(21) Appl. No.: **29/126,182**

(22) Filed: **Jul. 12, 2000**

(30) **Foreign Application Priority Data**

Jan. 19, 2000 (FR) 00 0400

(51) **LOC (7) Cl.** **07-02**

(52) **U.S. Cl.** **D7/330**

(58) **Field of Search** D7/328-330; 99/329 R,
99/331, 332, 334, 335, 372, 385, 389

(56) **References Cited**

U.S. PATENT DOCUMENTS

D. 155,009 * 8/1949 Huck D7/330

D. 375,017 * 10/1996 Barrault D7/330

D. 425,358 * 5/2000 Hughes D7/330

D. 427,006 * 6/2000 Chedal Anglay D7/330

* cited by examiner

Primary Examiner—Caron D. Veynar

(74) *Attorney, Agent, or Firm*—Browdy and Neimark

(57) **CLAIM**

The ornamental design for a toaster, as shown.

DESCRIPTION

FIG. 1 is a front elevational view of a toaster according to my new design;

FIG. 2 is a rear elevational view thereof;

FIG. 3 is a right side elevational view thereof;

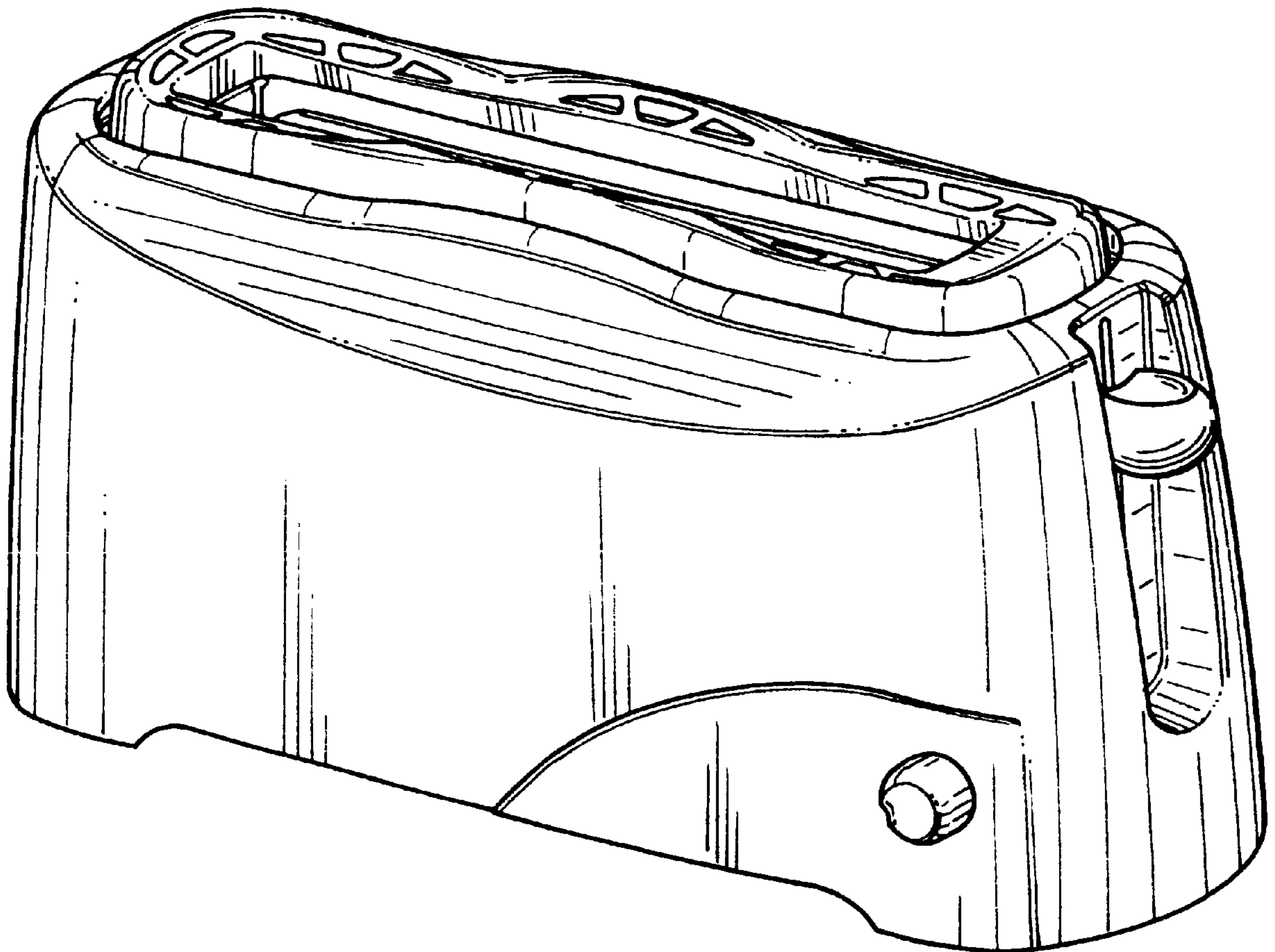
FIG. 4 is a left side elevational view thereof;

FIG. 5 is a bottom plan view thereof;

FIG. 6 is a top plan view thereof; and,

FIG. 7 is a perspective view thereof, seen from above and to the right.

1 Claim, 7 Drawing Sheets



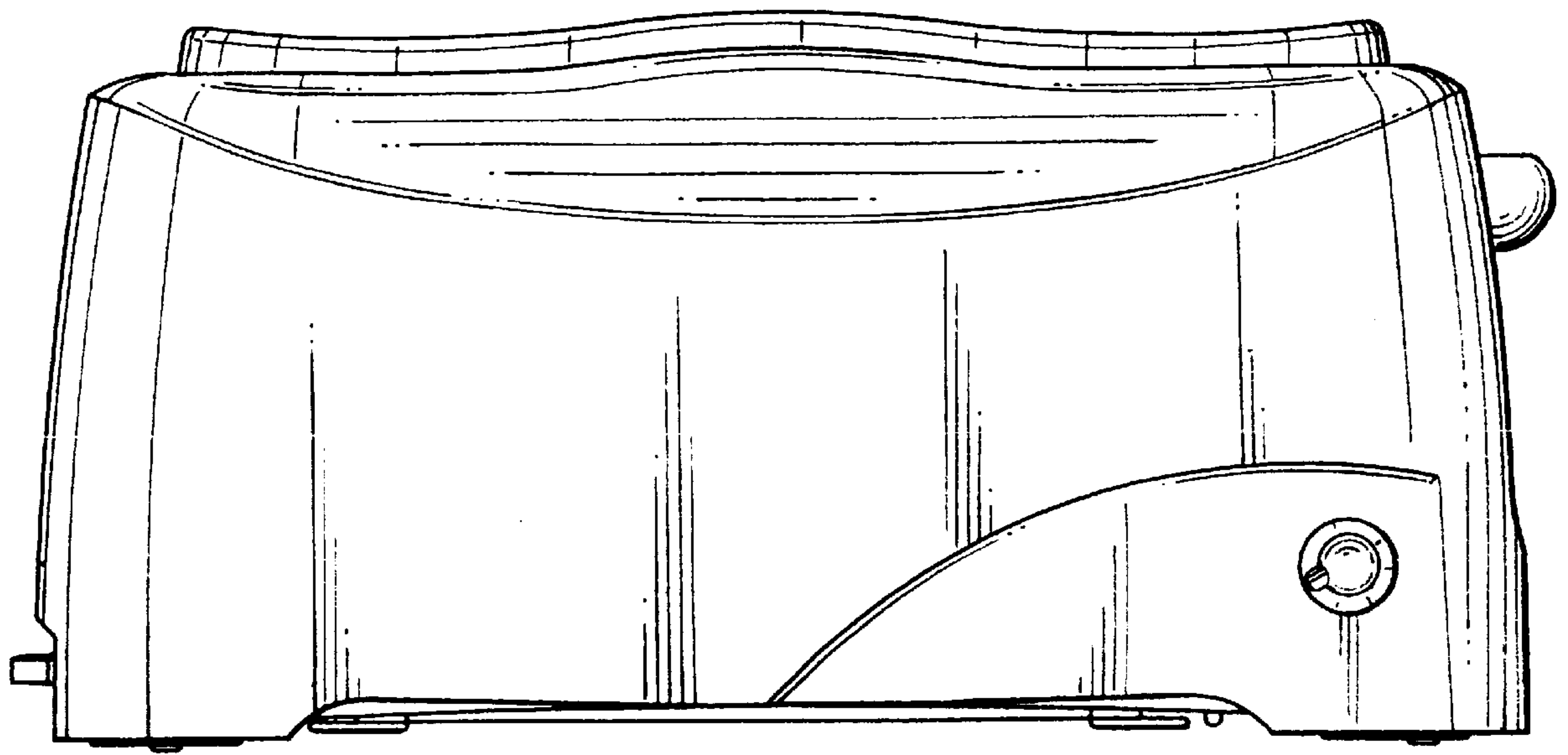


FIGURE 1

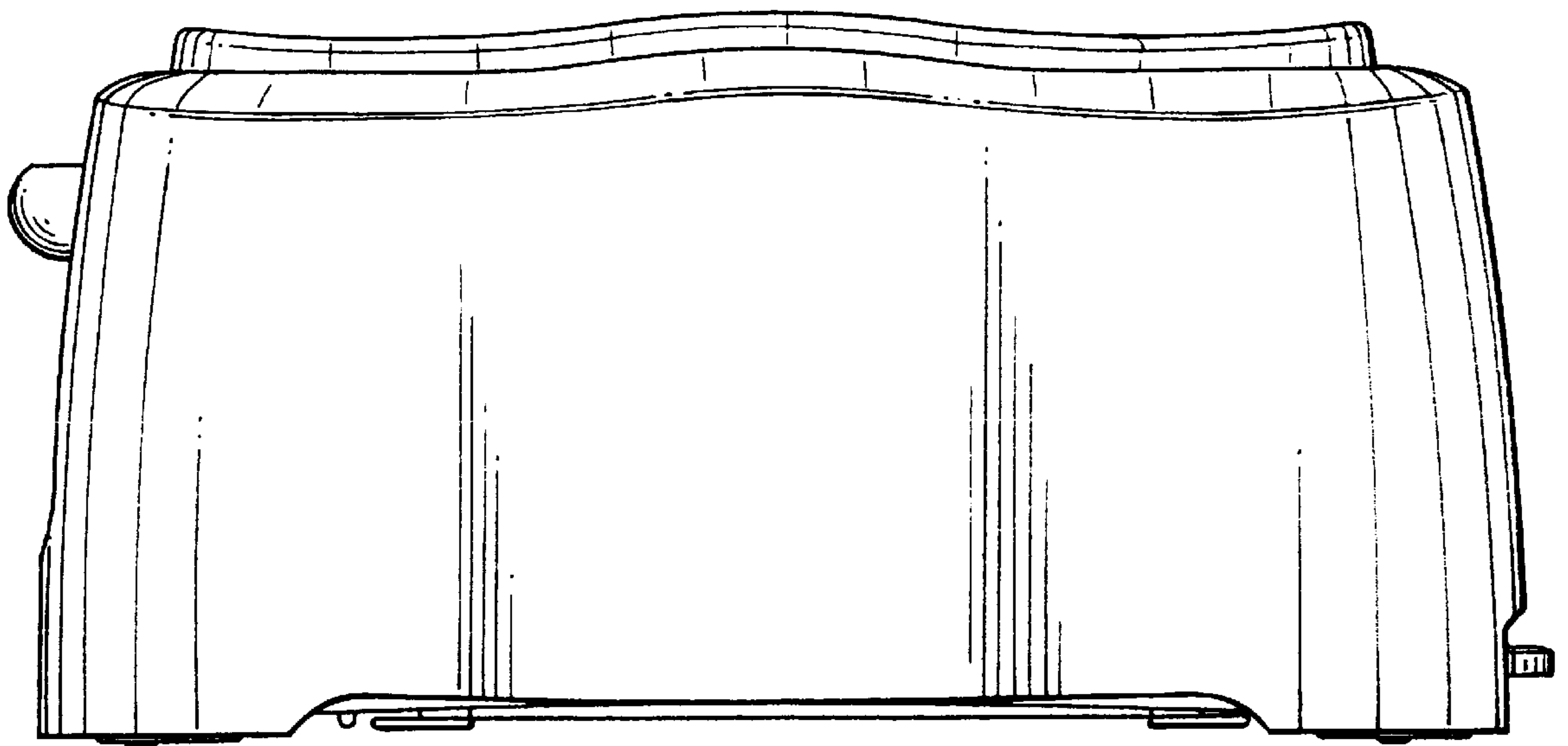


FIGURE 2

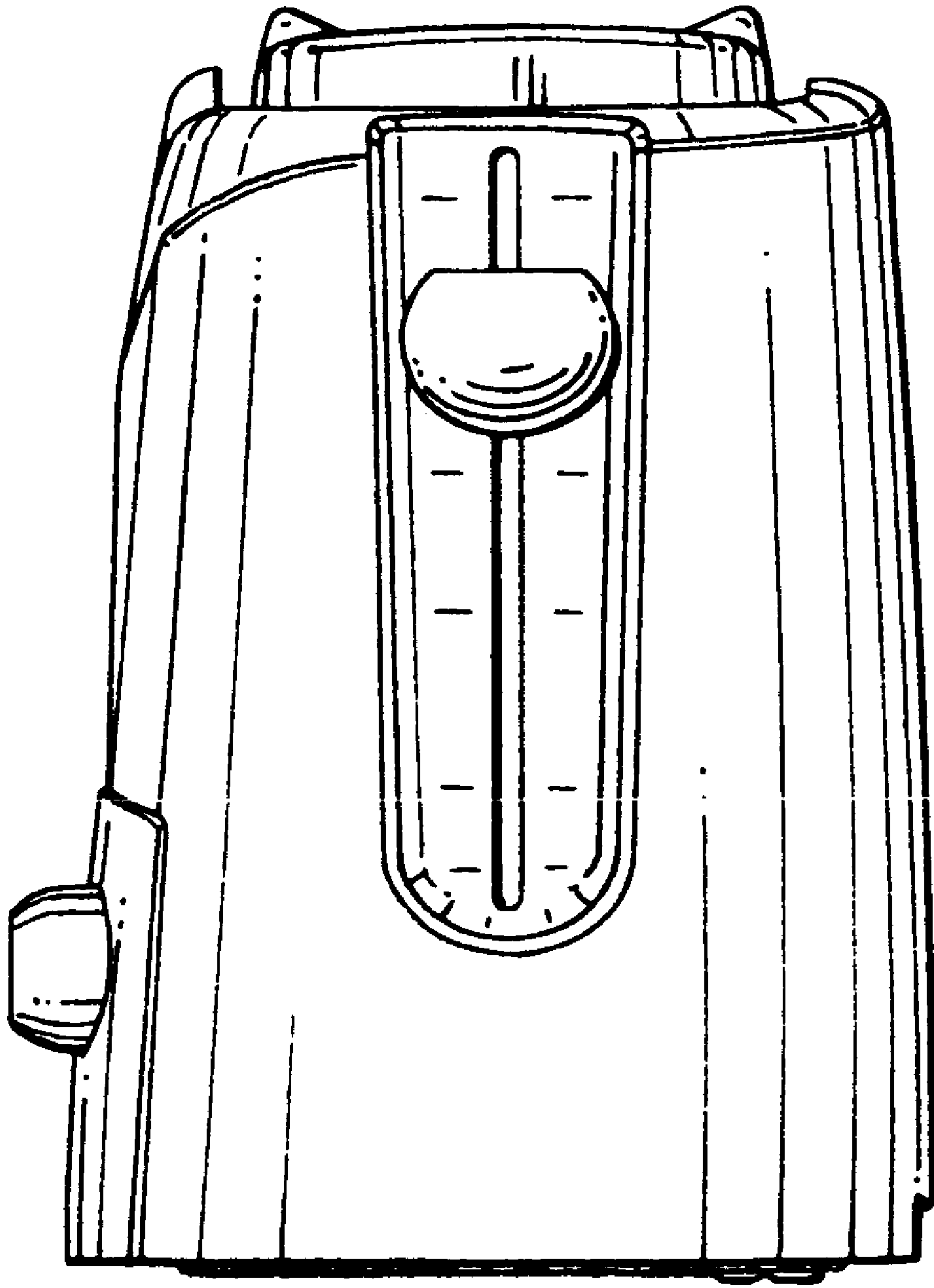


FIGURE 3

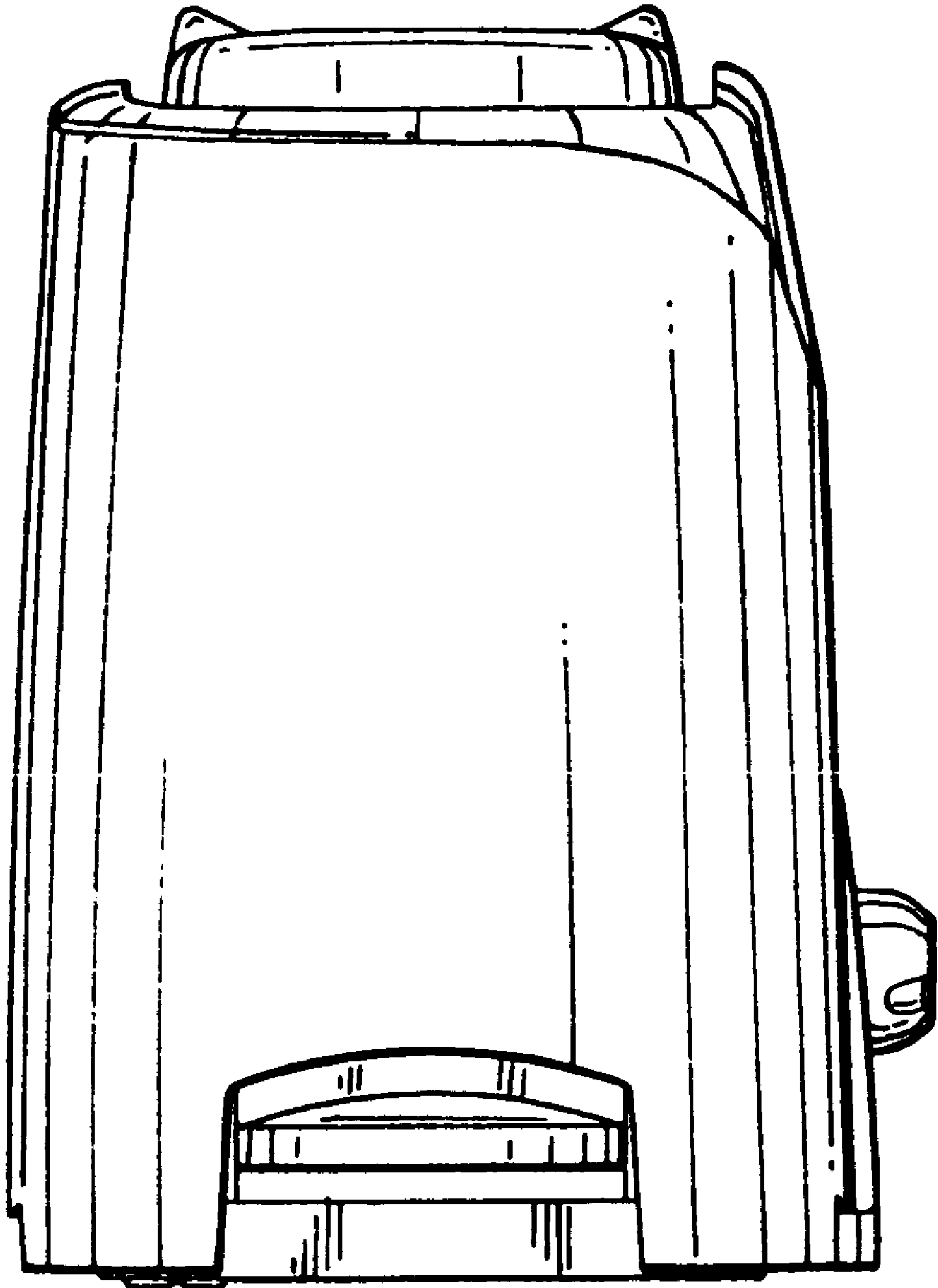


FIGURE 4

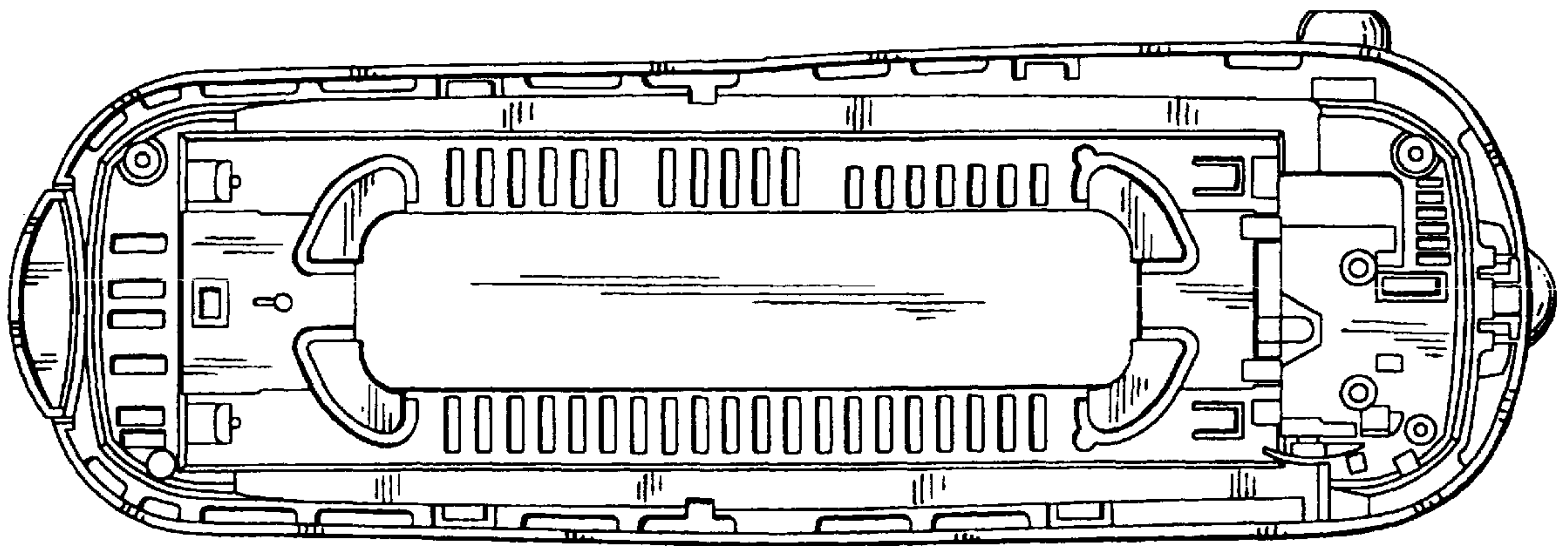


FIGURE 5

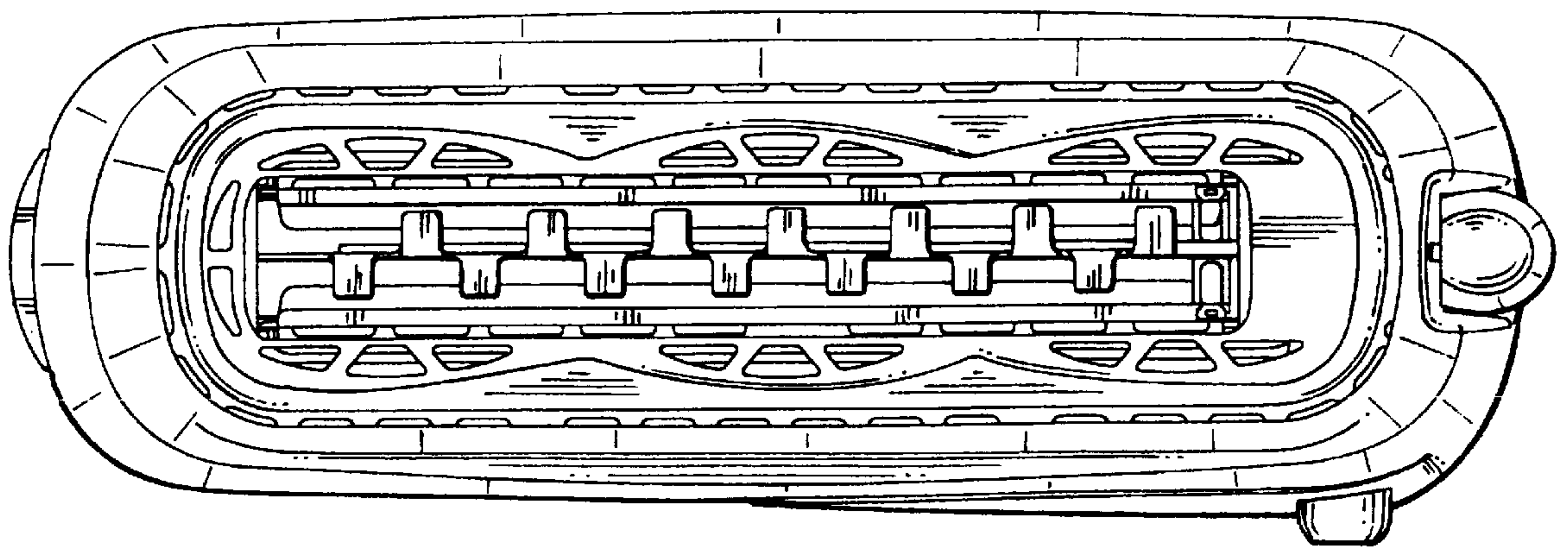


FIGURE 6

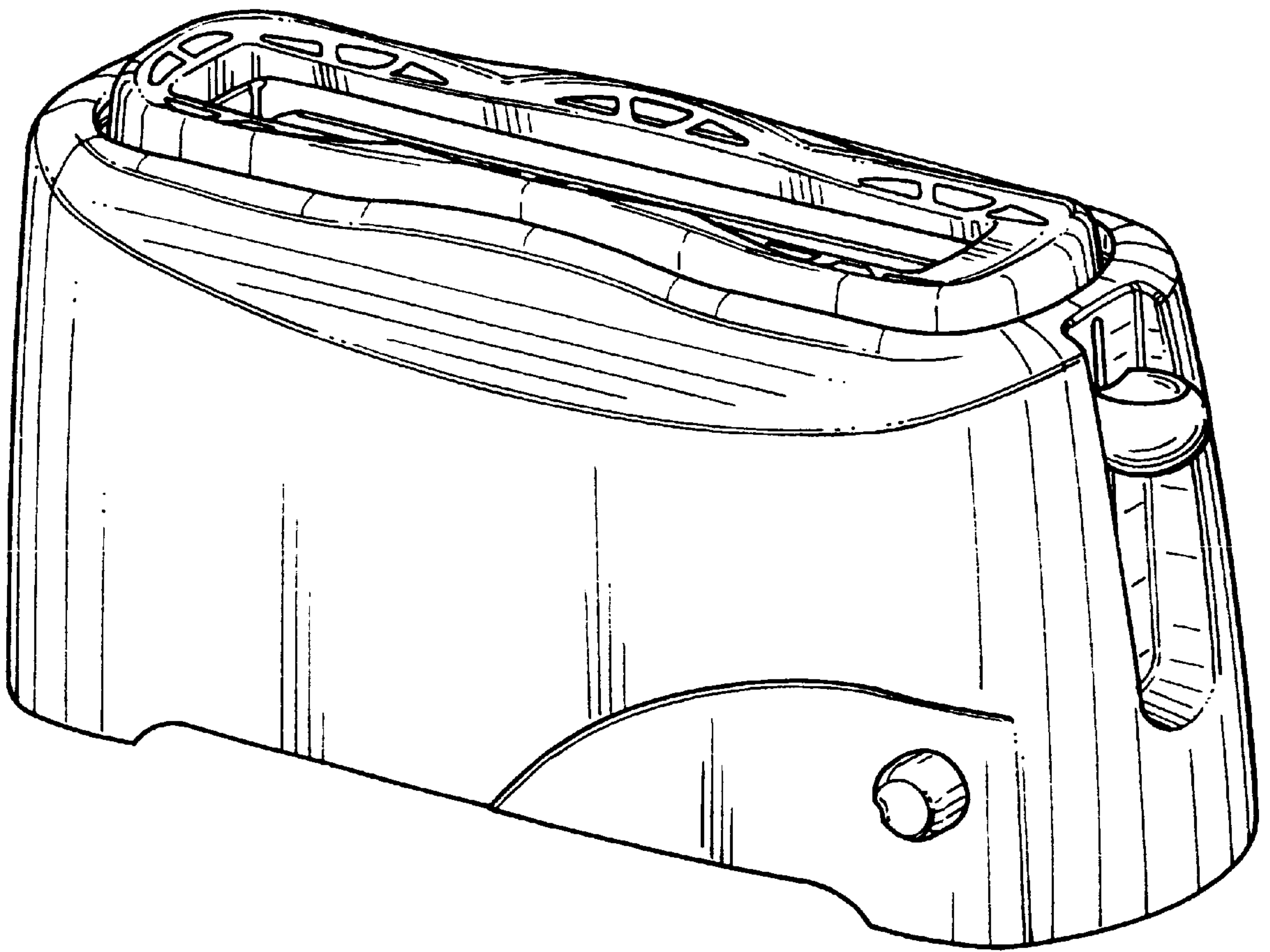


FIGURE 7