



US00D442418S

(12) **United States Design Patent**
Hsu

(10) **Patent No.:** **US D442,418 S**

(45) **Date of Patent:** **** May 22, 2001**

(54) **ELECTRIC TEA-POT**

(75) **Inventor:** **Tony Hsu, Yung Kang (TW)**

(73) **Assignee:** **Lundar Electric Industrial Co., Ltd.,
Tainan Hsien (TW)**

(**) **Term:** **14 Years**

(21) **Appl. No.:** **29/132,466**

(22) **Filed:** **Nov. 13, 2000**

(51) **LOC (7) Cl.** **07-01**

(52) **U.S. Cl.** **D7/319; D7/317**

(58) **Field of Search** **D7/300, 312, 316,
D7/317, 318, 319, 598, 600, 321; 222/88,
541.2, 475.1, 570; 220/759; 99/311**

(56) **References Cited**

U.S. PATENT DOCUMENTS

- D. 348,586 * 7/1994 Menegozzo D7/318
- D. 387,947 * 12/1997 Benbow et al. D7/319
- D. 394,981 * 6/1998 Huang D7/319

- D. 394,982 * 6/1998 Huang D7/319
- D. 395,576 * 6/1998 Huang D7/319
- D. 427,478 * 7/2000 Littmann et al. D7/318

* cited by examiner

Primary Examiner—M. N. Pandozzi

(74) *Attorney, Agent, or Firm*—Rosenberg, Klein & Lee

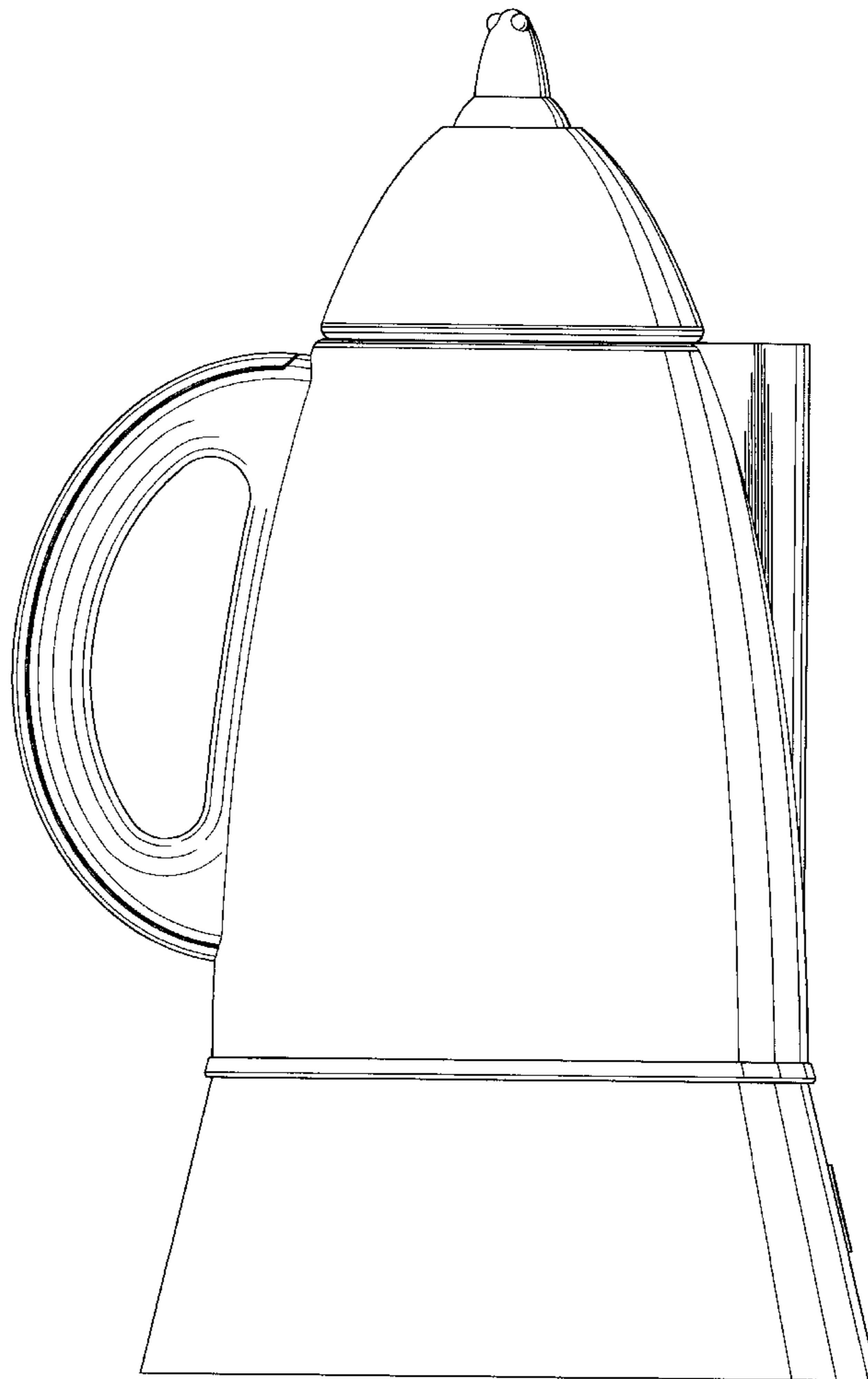
(57) **CLAIM**

The ornamental design for electric tea-pot, as shown and described.

DESCRIPTION

FIG. 1 is a perspective view of electric tea-pot showing my present design;
 FIG. 2 is a front view thereof;
 FIG. 3 is a rear view thereof;
 FIG. 4 is a left view thereof;
 FIG. 5 is a right view thereof;
 FIG. 6 is a top plan view thereof; and,
 FIG. 7 is a bottom plan view.

1 Claim, 7 Drawing Sheets



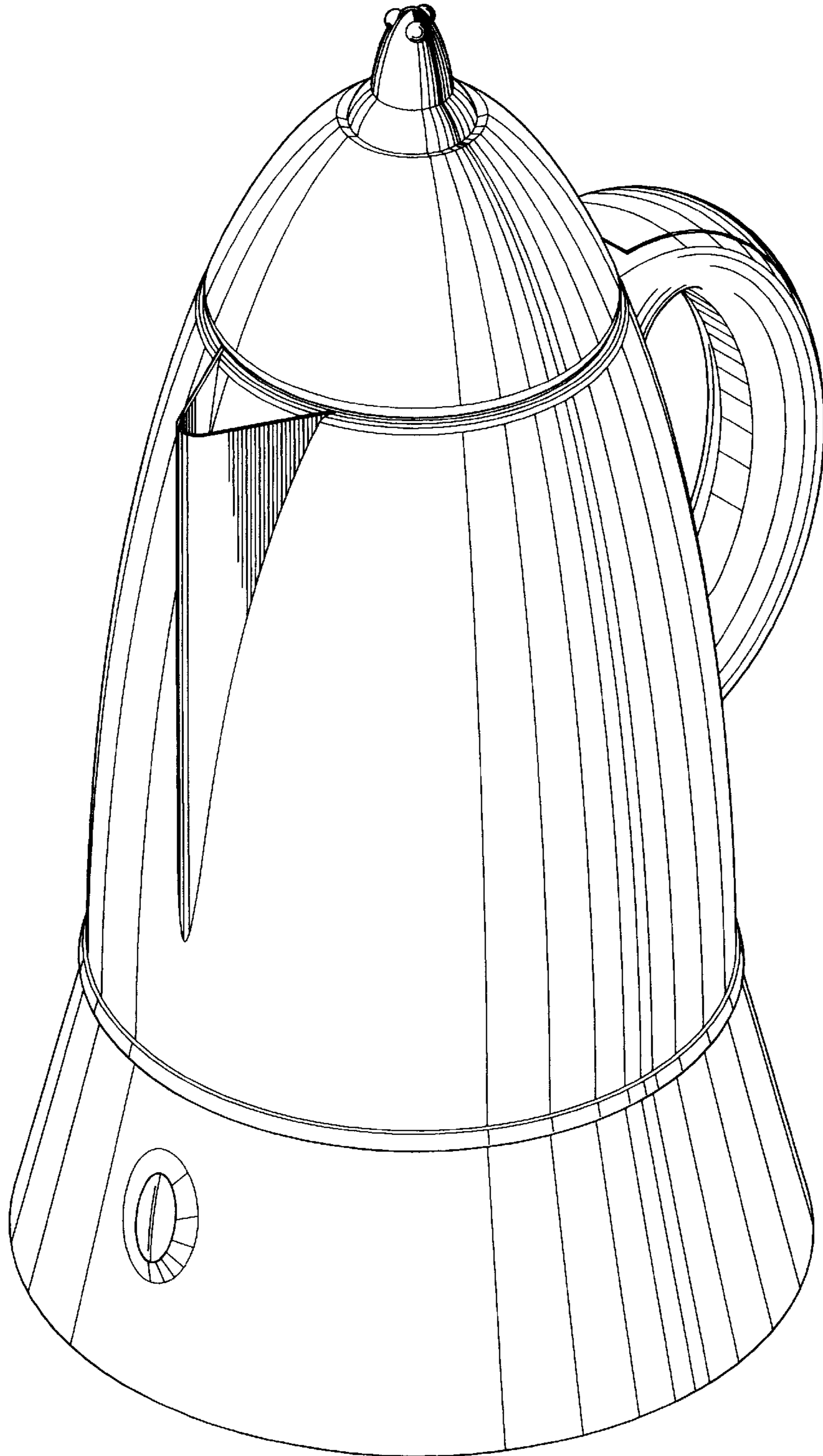


FIG. 1

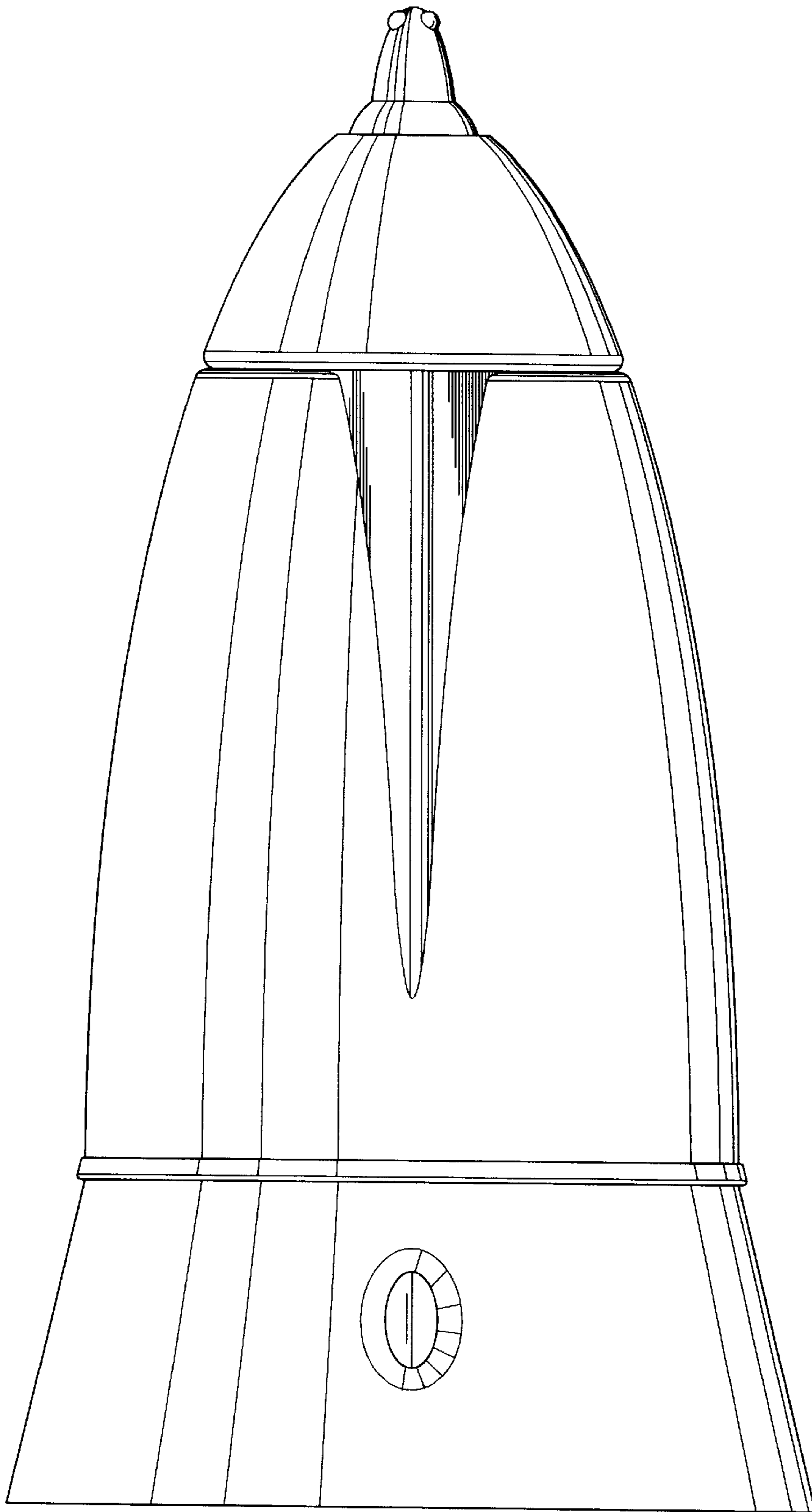


FIG . 2

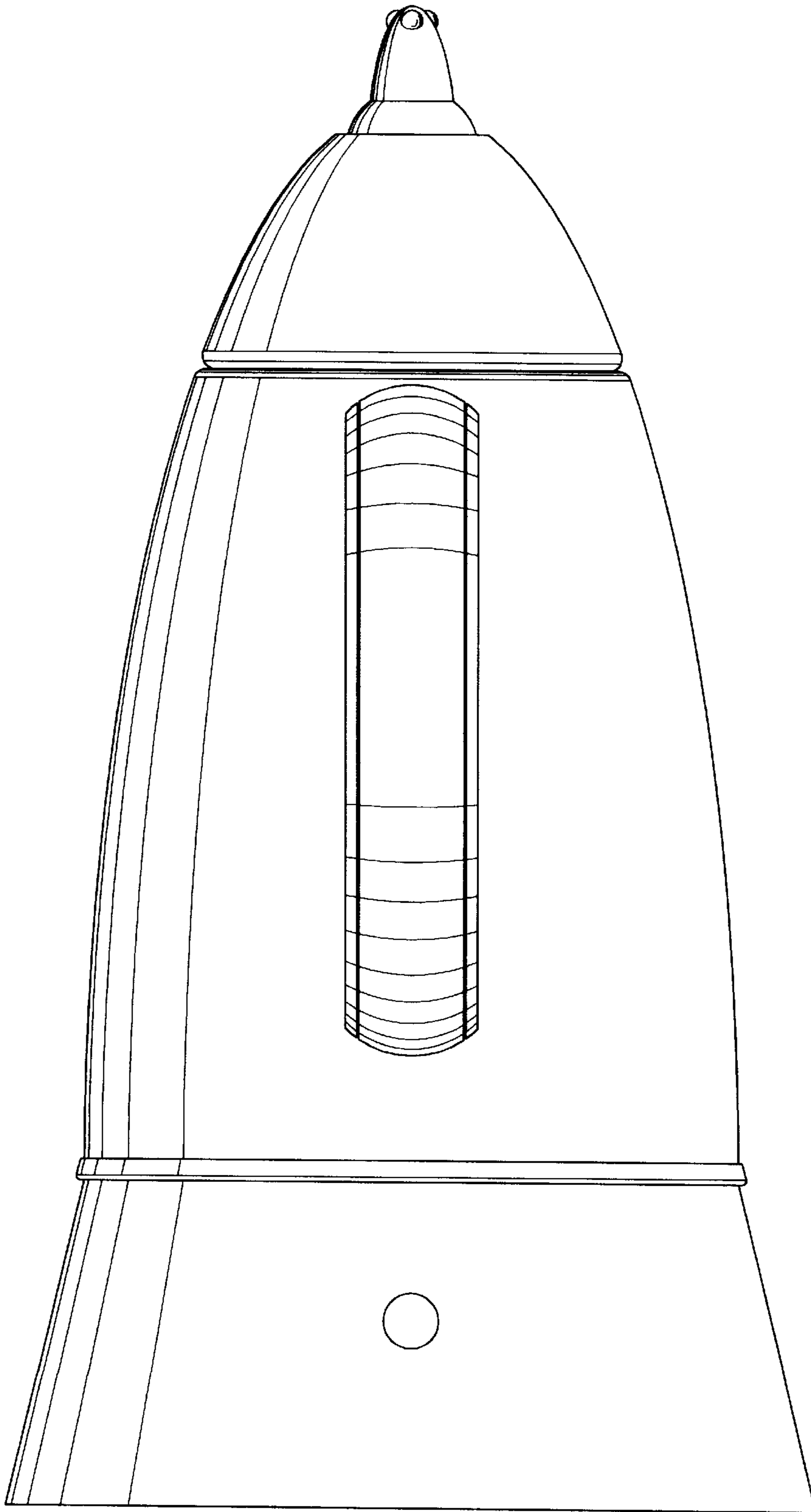


FIG . 3

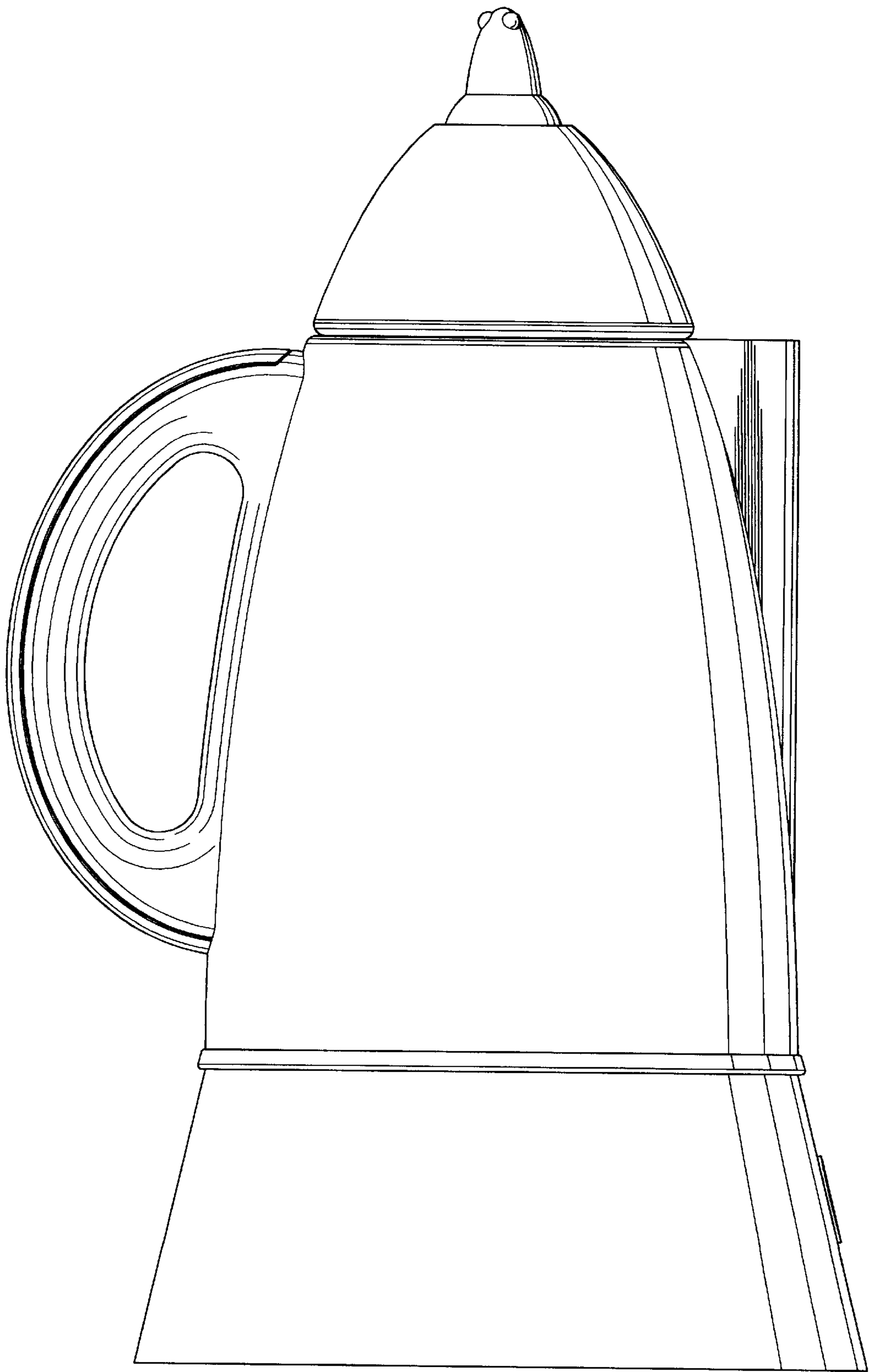


FIG. 4

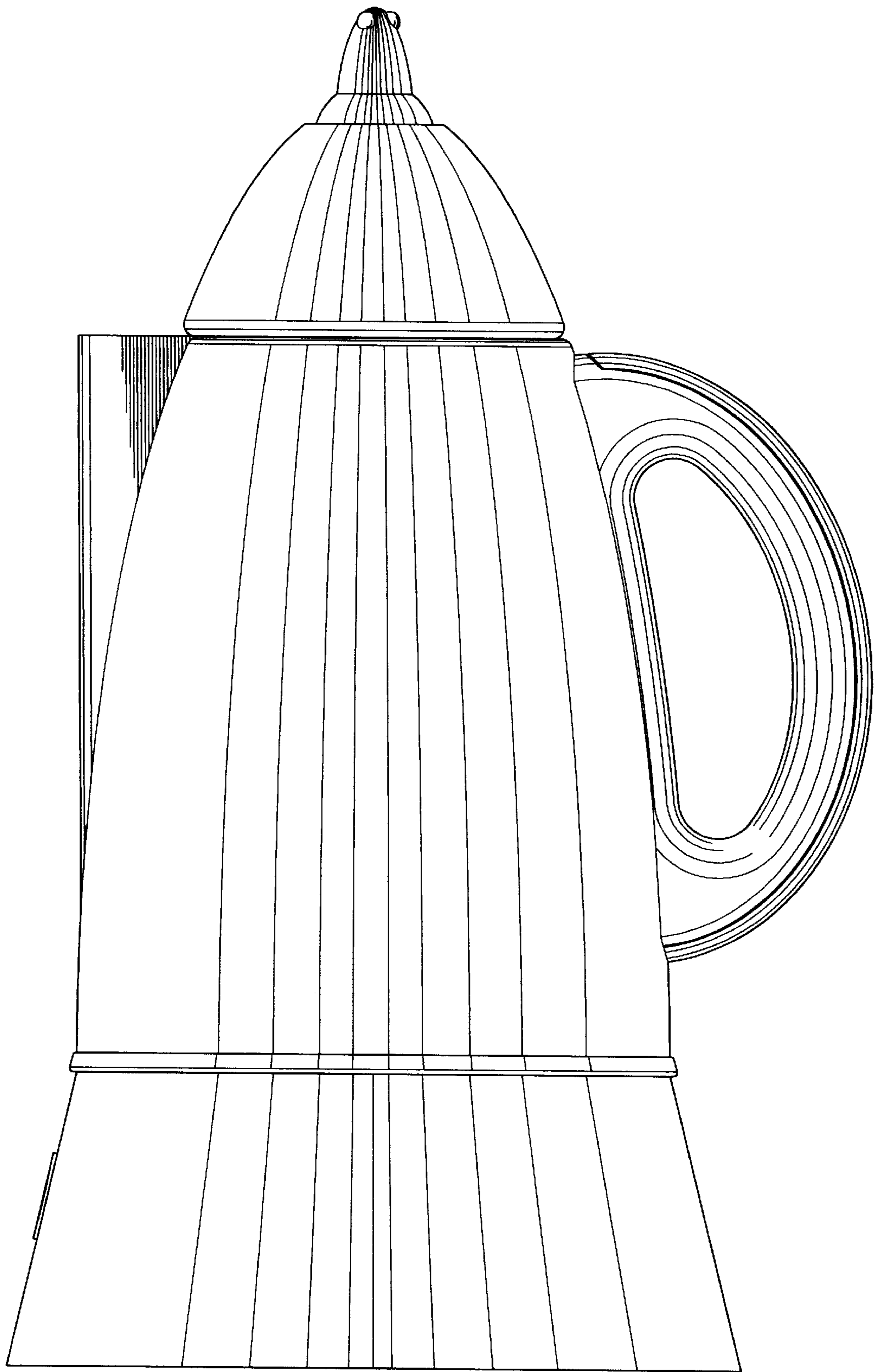


FIG. 5

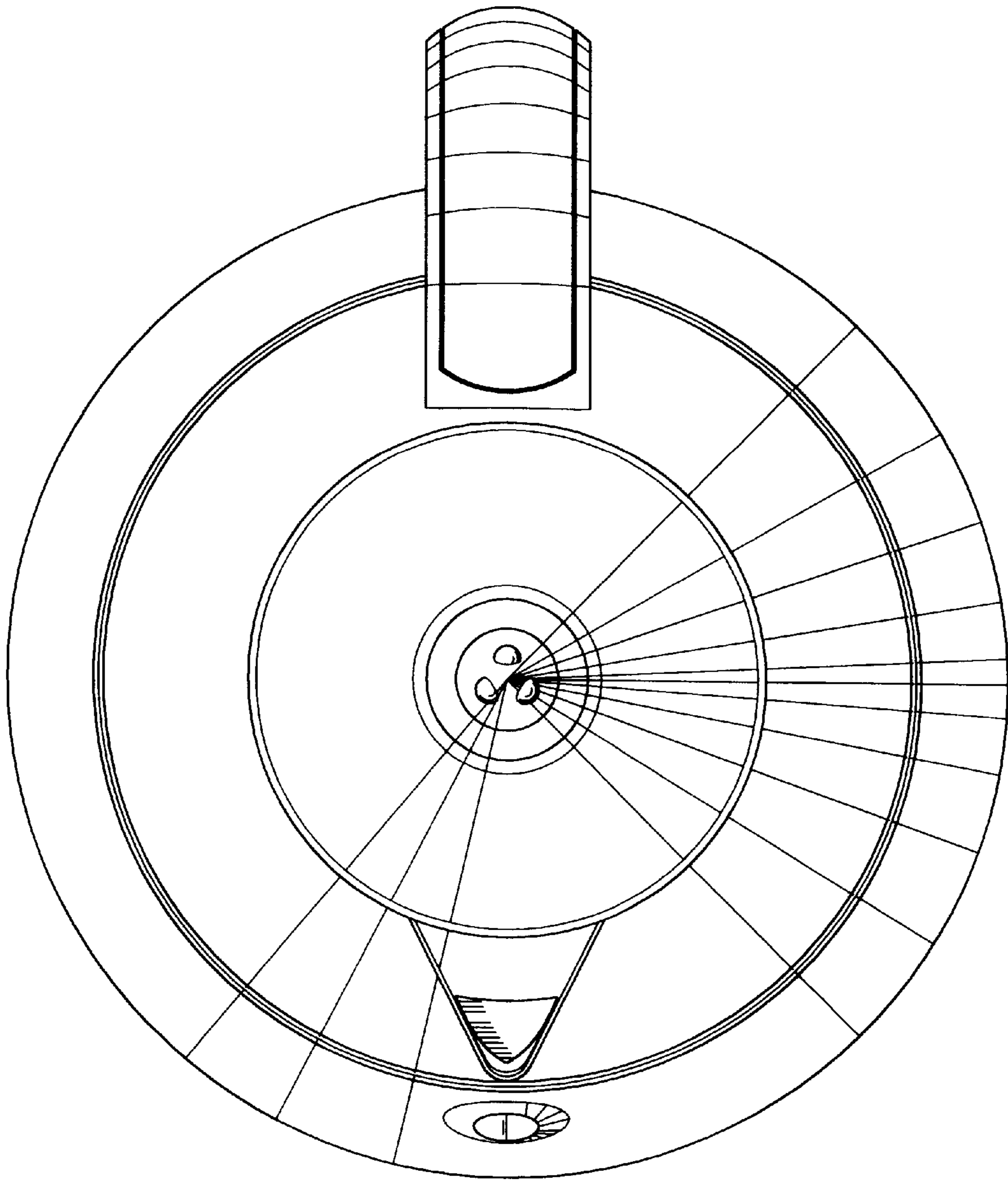


FIG . 6

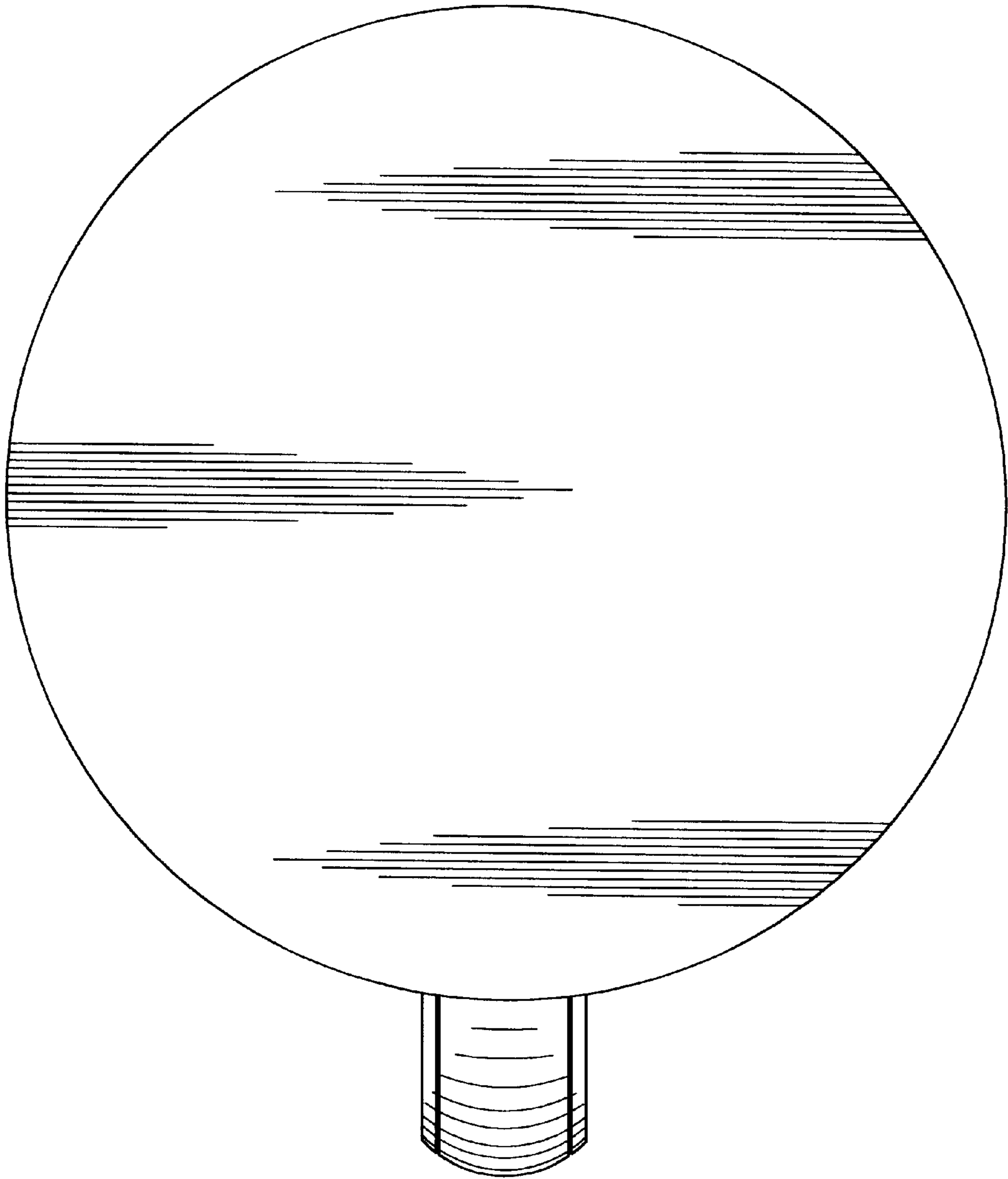


FIG. 7