



US00D442409S

(12) **United States Design Patent**
Curran

(10) **Patent No.:** **US D442,409 S**

(45) **Date of Patent:** **** May 22, 2001**

(54) **LAWN MOWER STORAGE CADDY**

(76) Inventor: **Craig J. Curran**, 3764 Valley Pkwy.,
Lake Worth, FL (US) 33467

(**) Term: **14 Years**

(21) Appl. No.: **29/126,999**

(22) Filed: **Jul. 28, 2000**

(51) **LOC (7) Cl.** **06-04**

(52) **U.S. Cl.** **D6/559**

(58) **Field of Search** D6/553, 559, 560,
D6/561; 211/86.01, 87.01; 312/100, 101,
242, 245, 280

(56) **References Cited**

U.S. PATENT DOCUMENTS

- D. 297,693 * 9/1988 Norstedt D6/553
- D. 306,672 * 3/1990 Peters D6/561
- 3,316,048 * 4/1967 Levy 312/100 X

* cited by examiner

Primary Examiner—Brian N. Vinson

(74) *Attorney, Agent, or Firm*—McHale & Slavin

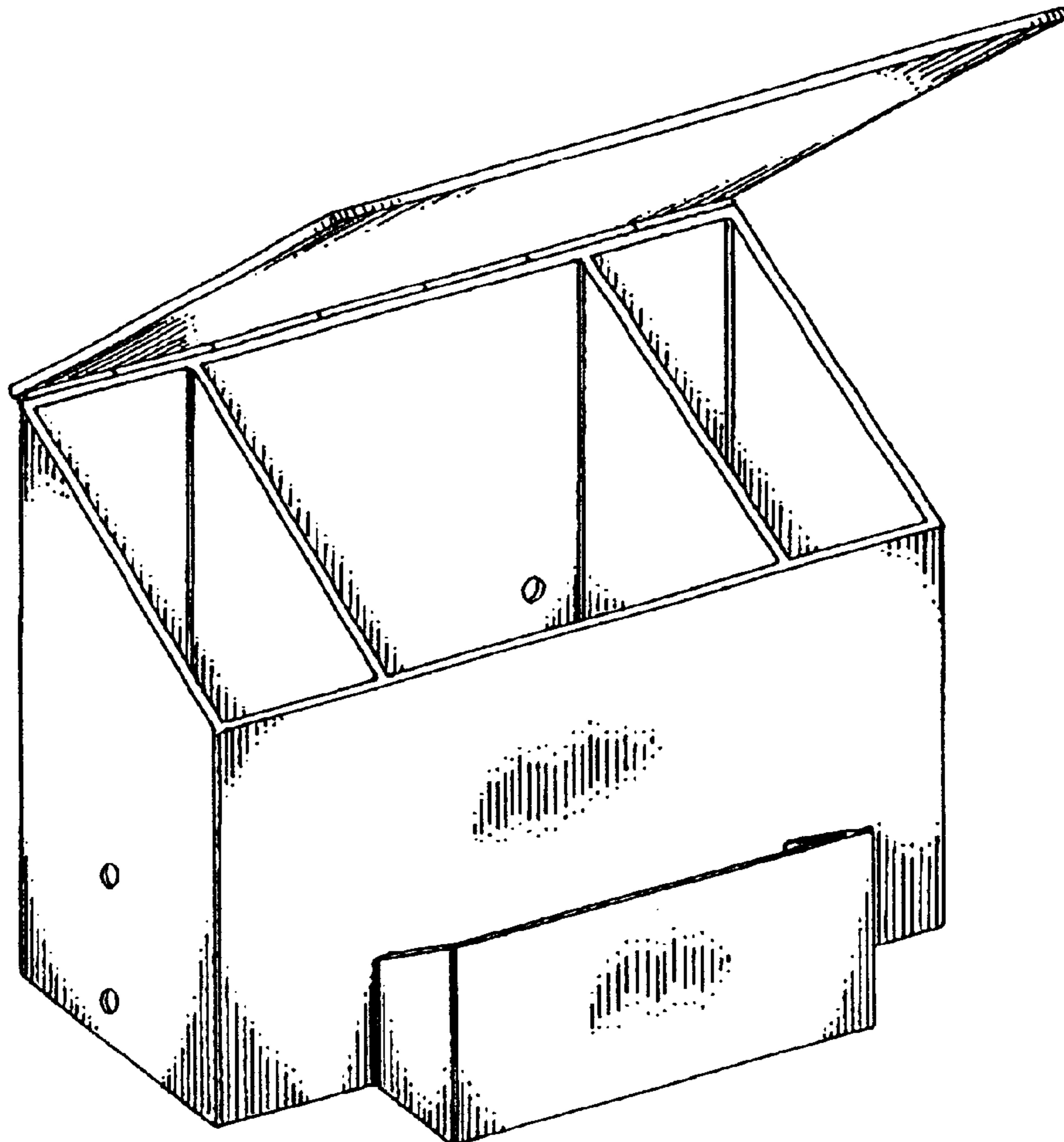
(57) **CLAIM**

The ornamental design for a lawn mower storage caddy, as shown and described.

DESCRIPTION

FIG. 1 is a perspective view of the lawn mower storage caddy of the instant invention depicting an open cover;
 FIG. 2 is a perspective view of the lawn mower storage caddy of the instant invention depicting a closed cover;
 FIG. 3 is a right side view of said caddy with an open cover;
 FIG. 4 is a front view of said caddy with an open cover;
 FIG. 5 is a right side view of said caddy with an open cover;
 FIG. 6 is a rear view of said caddy with a closed cover;
 FIG. 7 is a top plane view of said caddy with an open cover;
 and,
 FIG. 8 is a bottom plane view of said caddy.

1 Claim, 2 Drawing Sheets



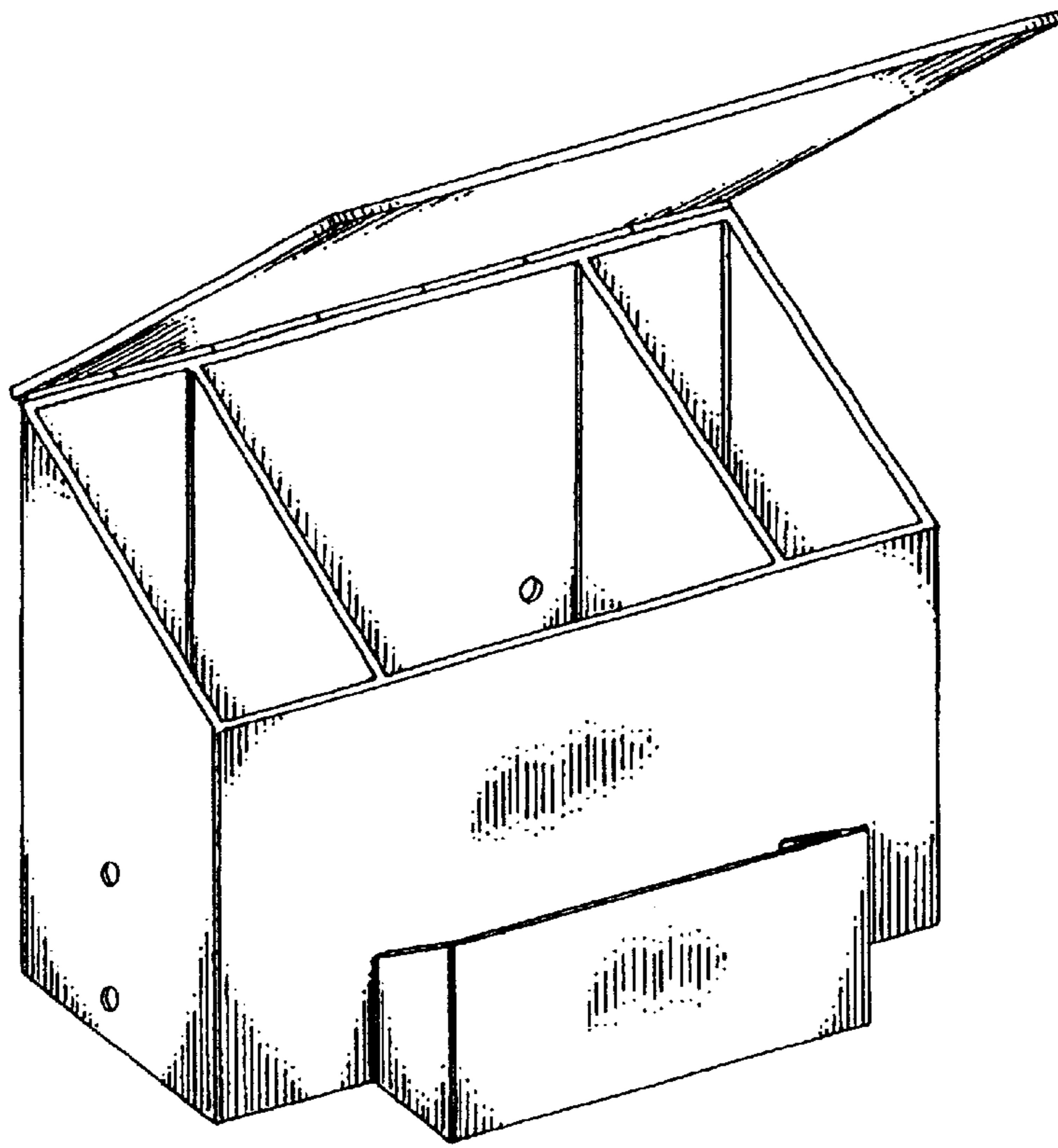


FIG. 1

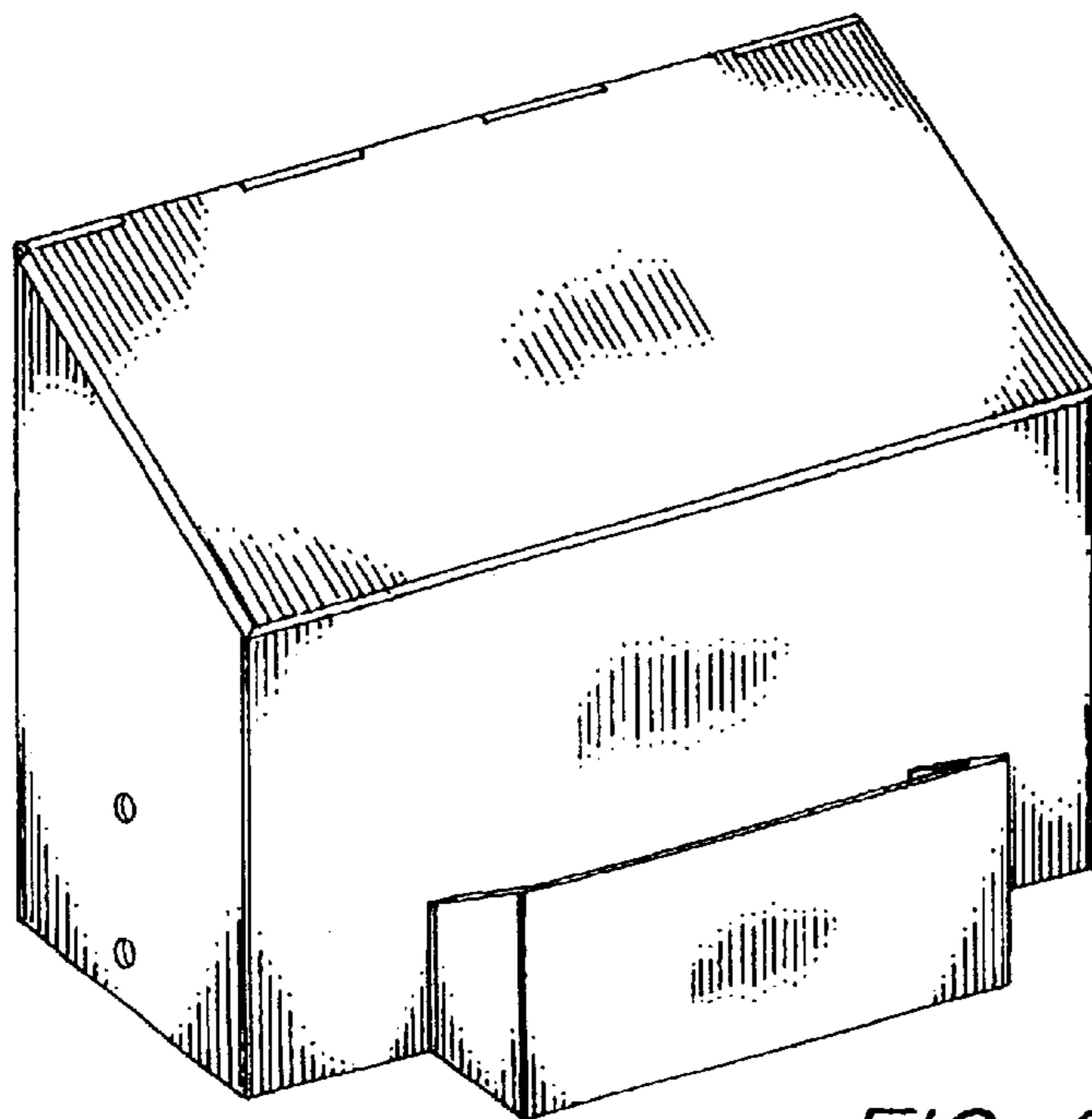


FIG. 2

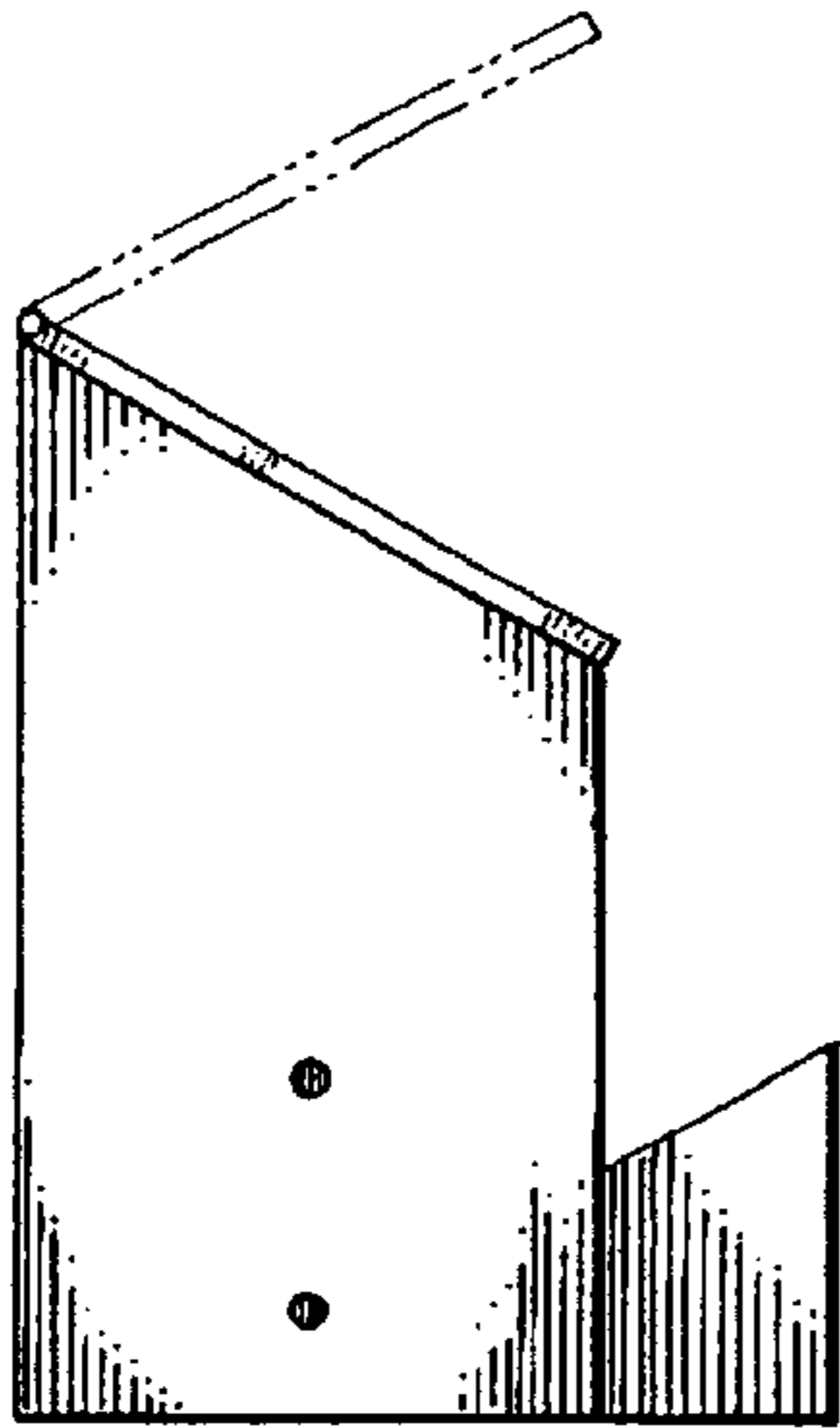


FIG. 3

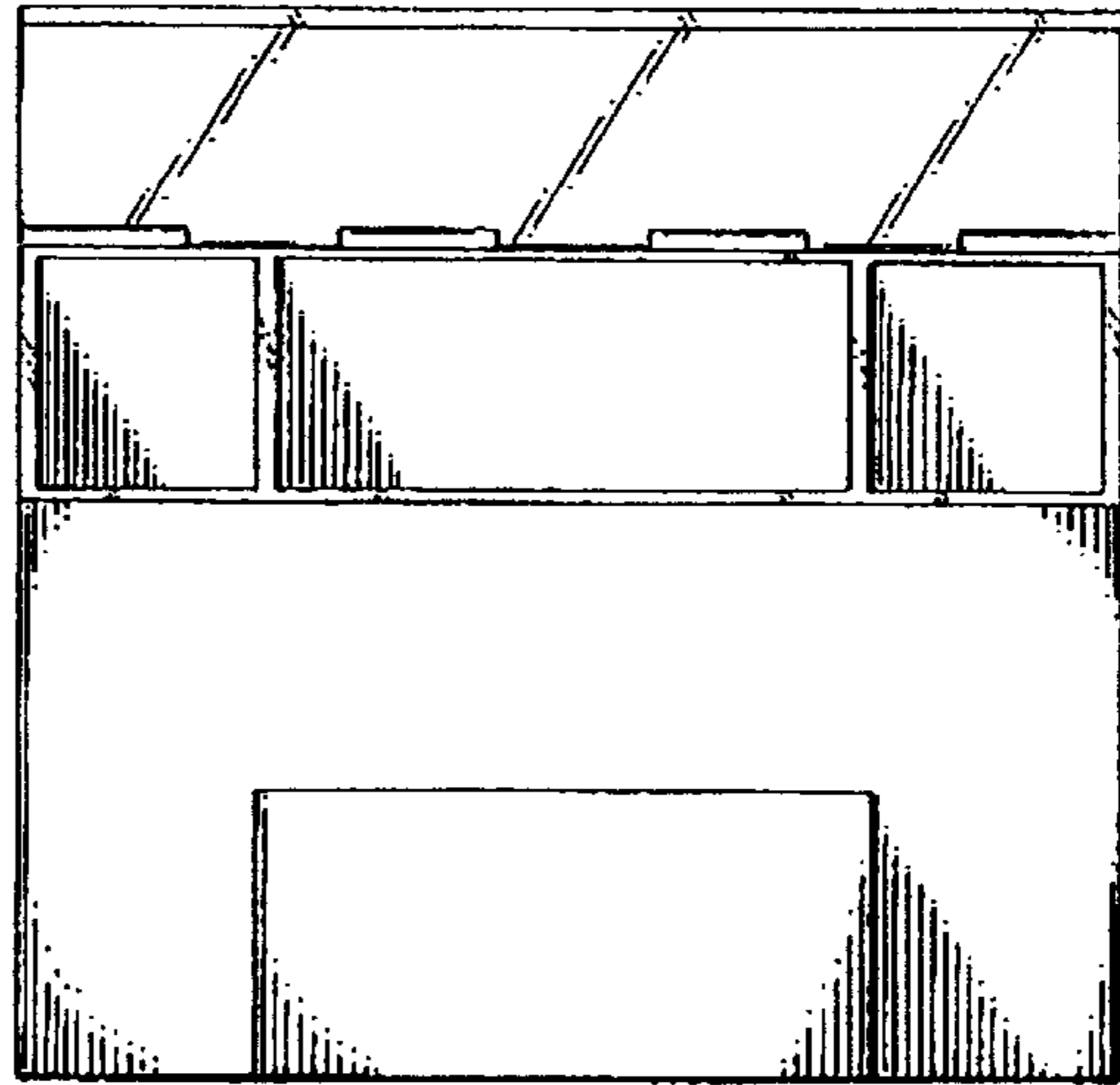


FIG. 4

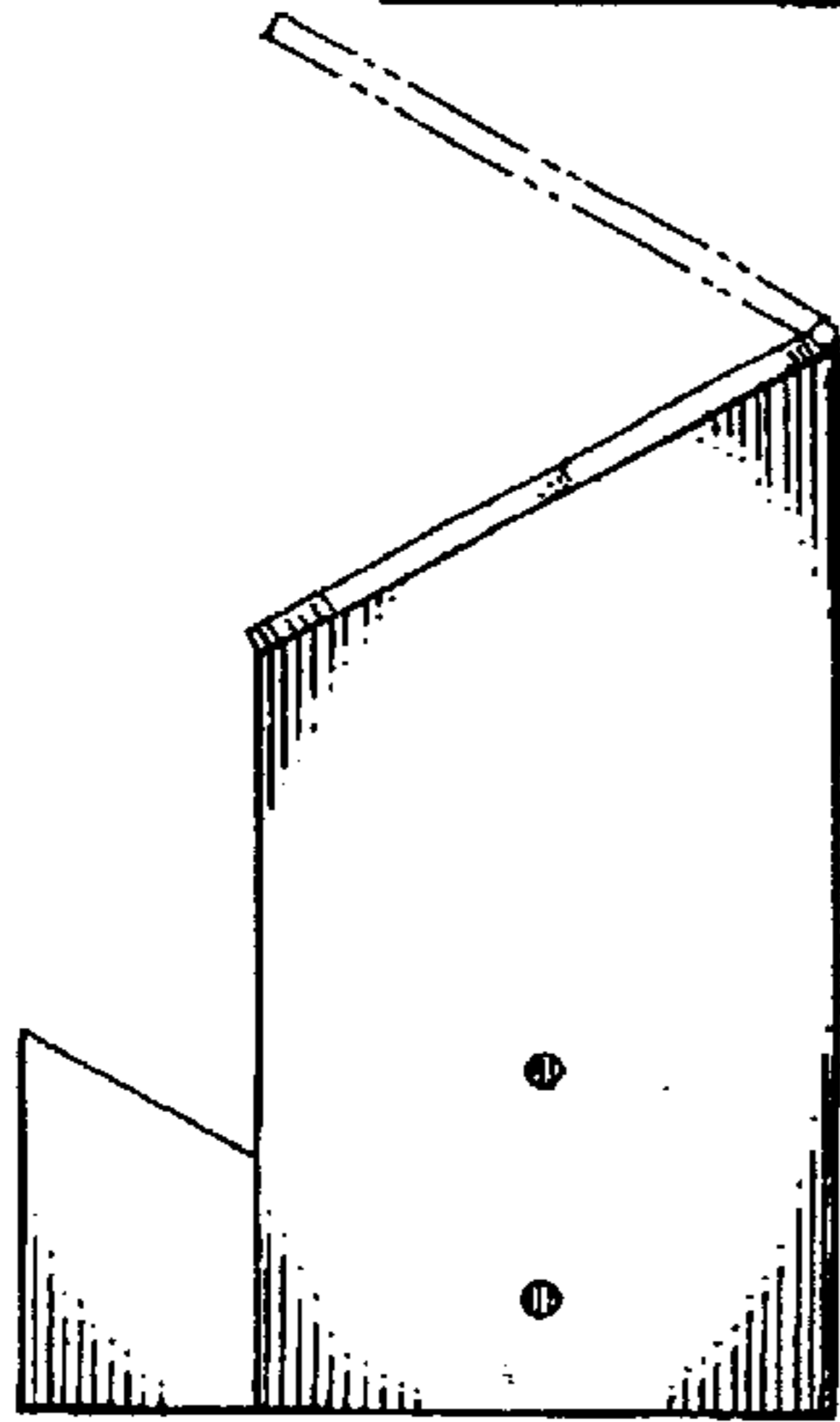


FIG. 5

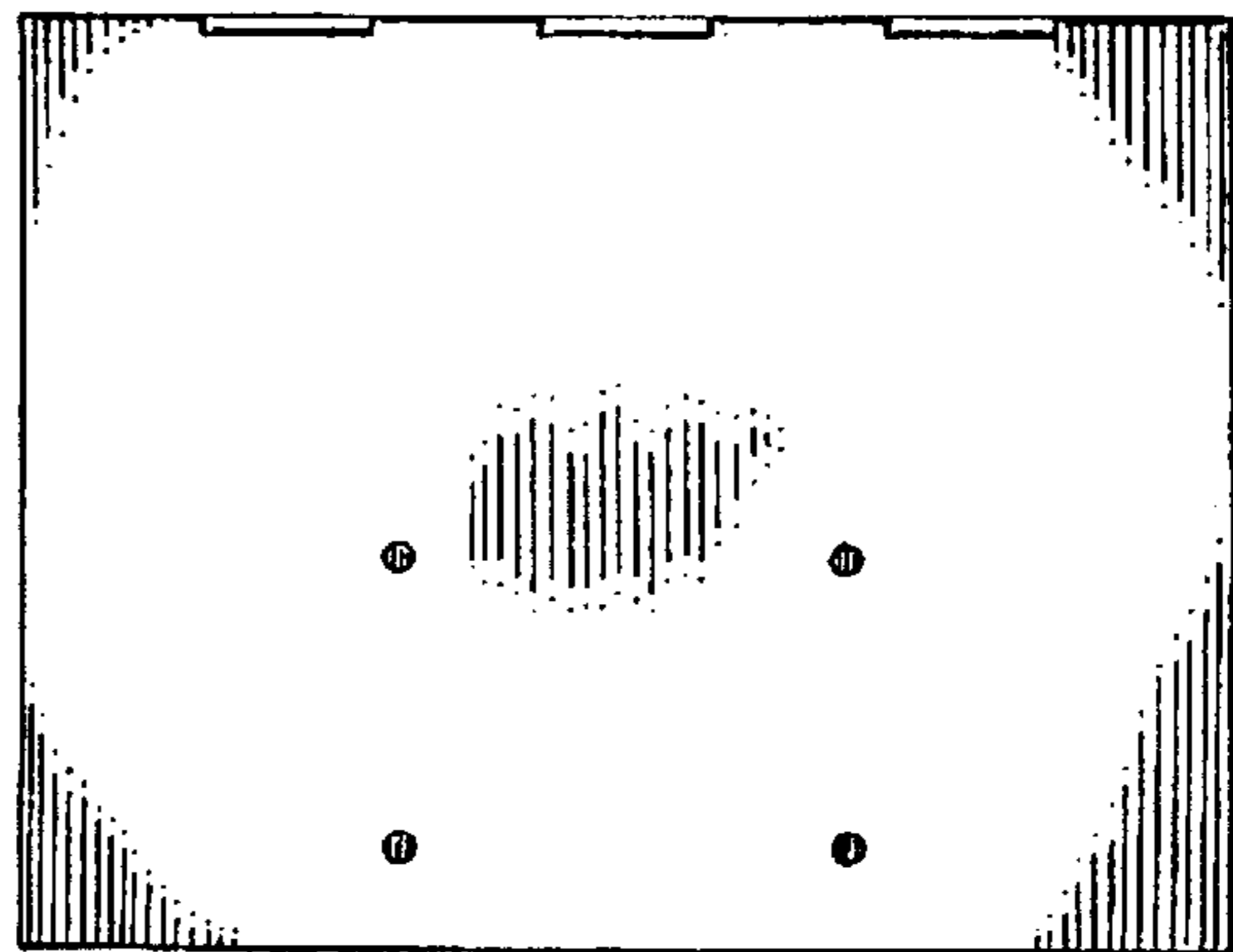


FIG. 6

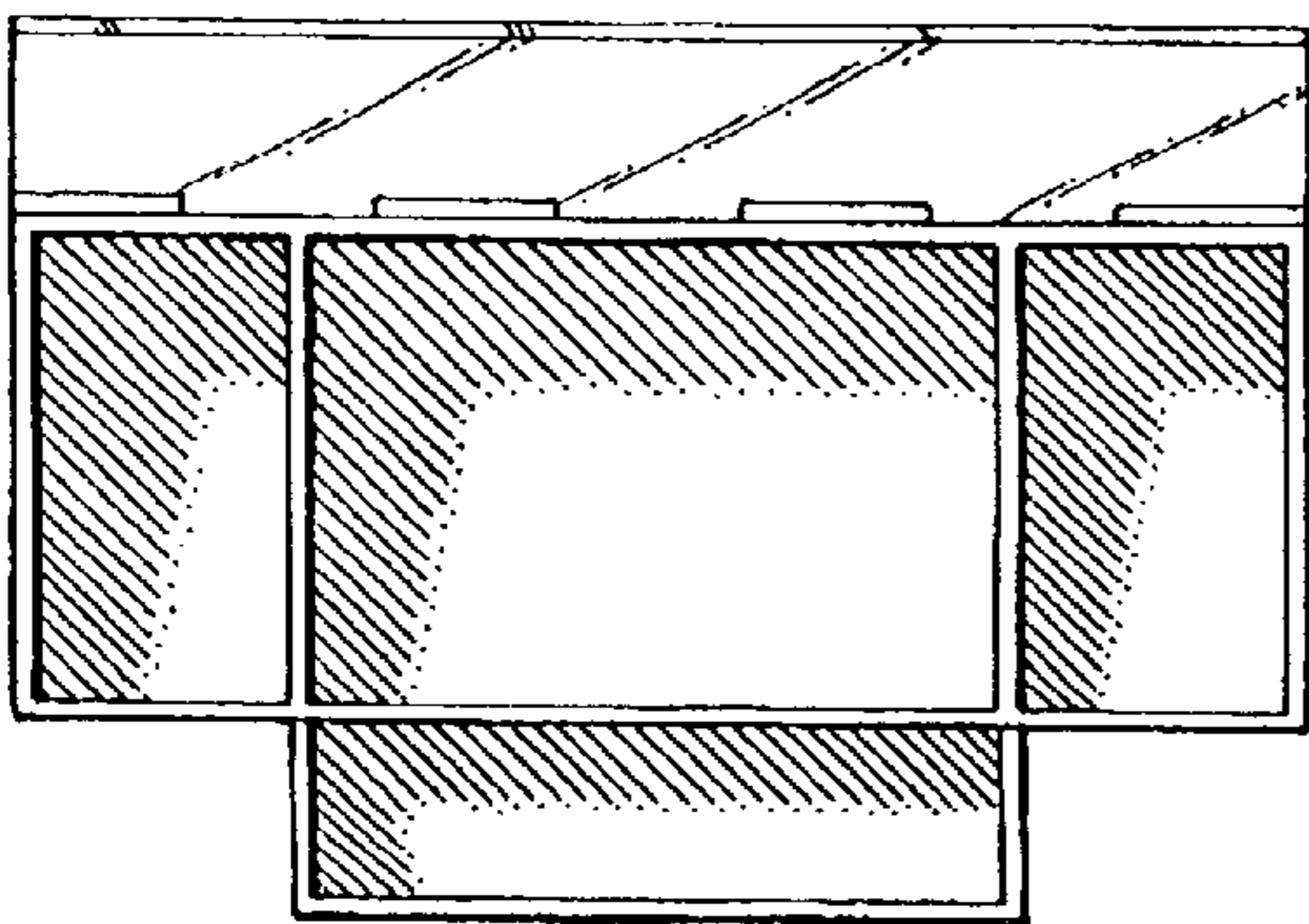


FIG. 7

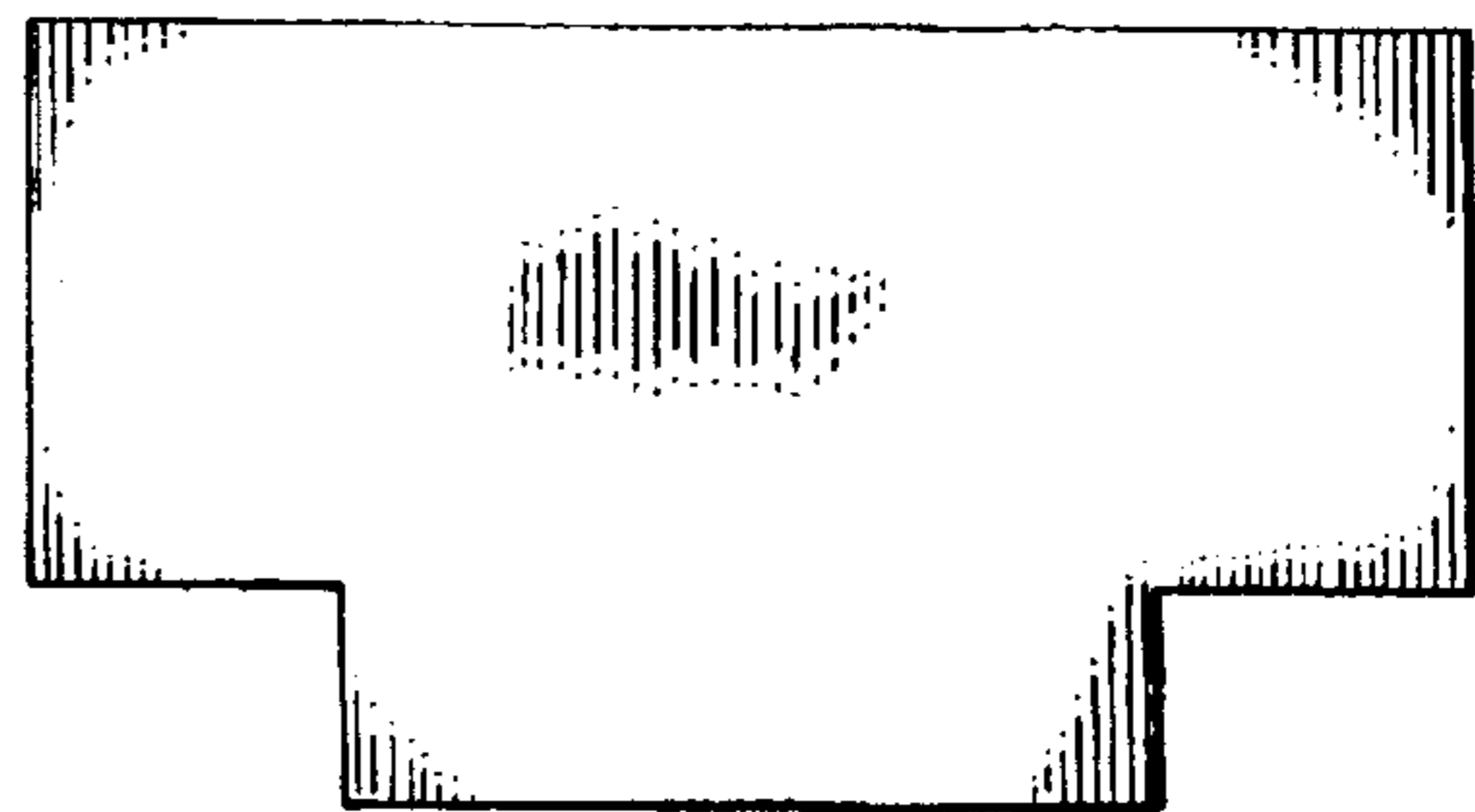


FIG. 8