



US00D442407S

(12) **United States Design Patent**
Solowiej

(10) **Patent No.:** **US D442,407 S**

(45) **Date of Patent:** **** May 22, 2001**

(54) **BATH ACCESSORY POST**

(75) **Inventor:** **Leszek Solowiej, Montville, NJ (US)**

(73) **Assignee:** **Melard Manufacturing Corp., Passaic, NJ (US)**

(**) **Term:** **14 Years**

(21) **Appl. No.:** **29/117,438**

(22) **Filed:** **Jan. 21, 2000**

(51) **LOC (7) Cl.** **23-02**

(52) **U.S. Cl.** **D6/524; D6/550**

(58) **Field of Search** **D6/522-524, 527-540, D6/546-550; D8/349, 350, 352, 354; 211/13.1, 60.1, 65, 66, 69.1, 71, 74, 75, 86, 87; 242/570, 590, 595-598; 248/309.1, 310, 311.2, 312, 314, 315**

(56) **References Cited**

U.S. PATENT DOCUMENTS

- D. 334,315 * 3/1993 Bengston D6/546
- D. 341,511 * 11/1993 McKeone D6/550

- D. 361,006 * 8/1995 Shape D6/549
- D. 408,669 * 4/1999 Kuo D6/546
- D. 409,030 * 5/1999 Sweetman D6/546
- D. 416,730 * 11/1999 Chen D6/540
- D. 417,994 * 12/1999 Roth et al. D6/546
- 4,907,771 * 3/1990 Wang 248/309.1 X

* cited by examiner

Primary Examiner—Brian N. Vinson

(74) *Attorney, Agent, or Firm*—Edgar A. Zarins; Lloyd A. Doigan

(57) **CLAIM**

The ornamental design for a bath accessory post, as shown and described.

DESCRIPTION

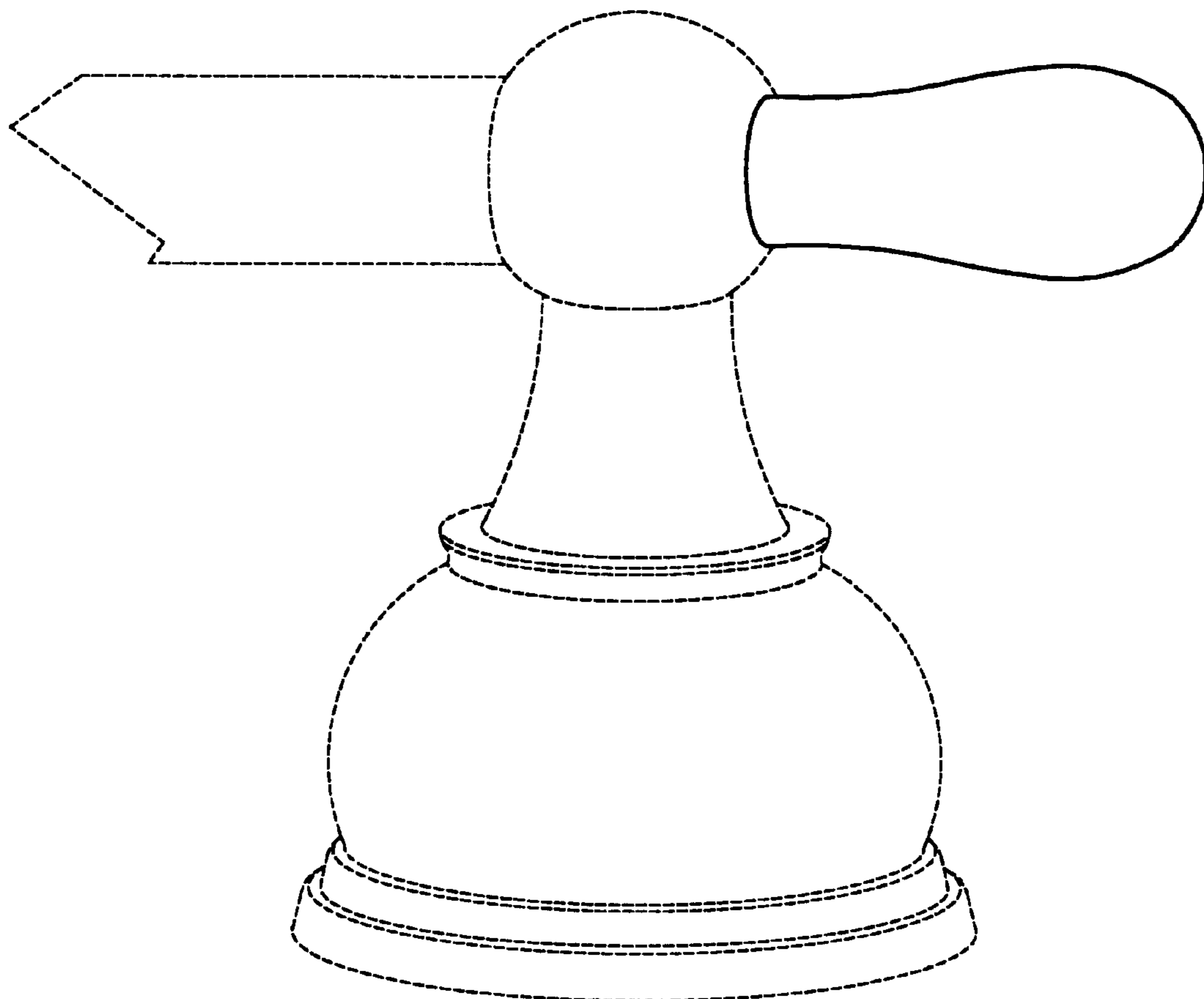
FIG. 1 is a perspective view of a bath accessory post showing my design;

FIG. 2 is a plan view thereof; and,

FIG. 3 is an end view thereof.

The broken-line disclosure is for illustrative purposes only and form no part of the claimed design.

1 Claim, 1 Drawing Sheet



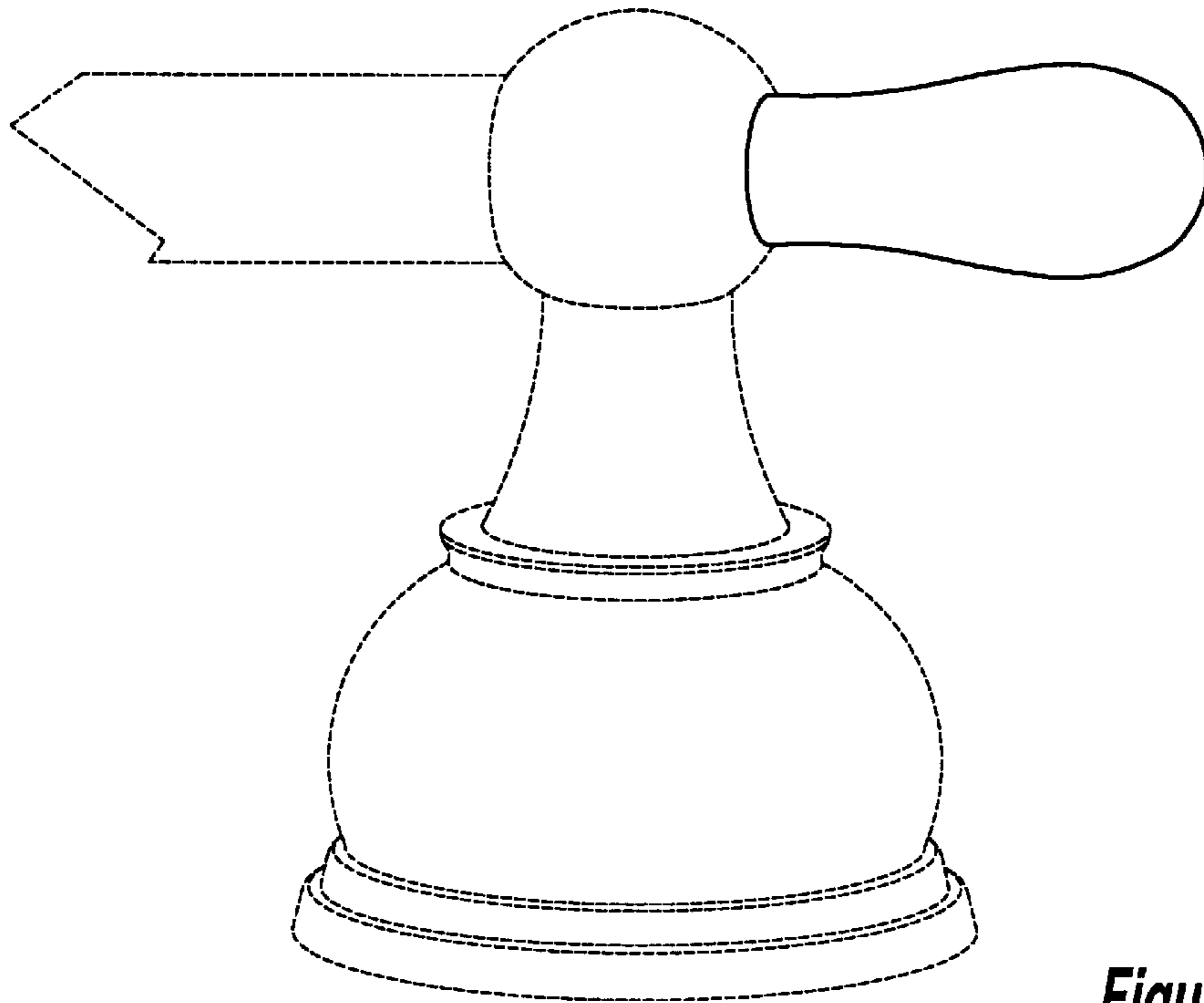


Figure - 1

Figure - 2

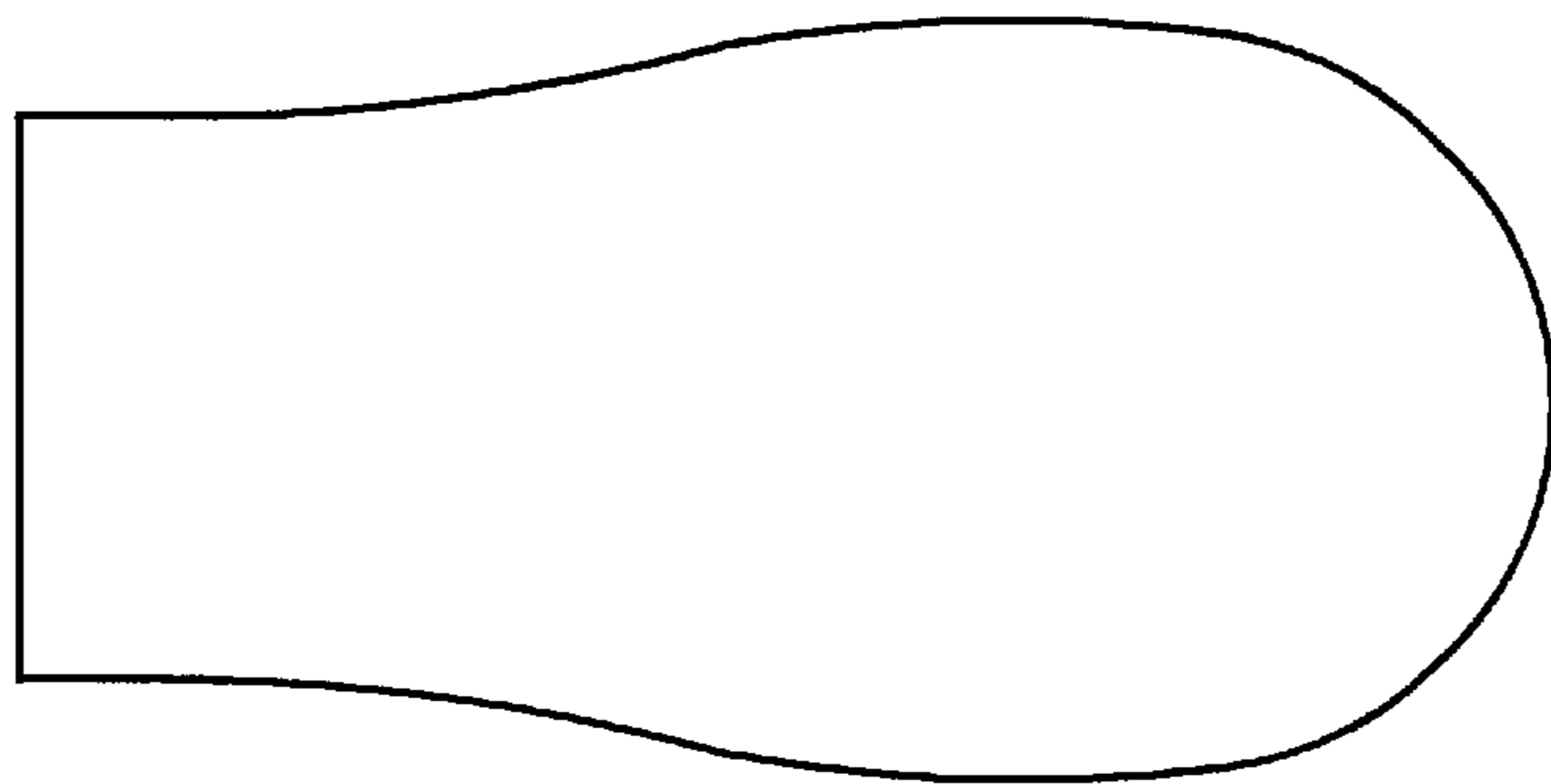


Figure - 3

