



US00D442406S

(12) **United States Design Patent**
Goodman et al.

(10) **Patent No.:** **US D442,406 S**

(45) **Date of Patent:** **** May 22, 2001**

(54) **TOILET TISSUE HOLDER**

(75) Inventors: **Sheldon H. Goodman**, 30905 Stratford, Solon, OH (US) 44139; **Brian Stelmarski**, Mayfield Heights, OH (US)

(73) Assignee: **Sheldon H. Goodman**, Solon, OH (US)

(**) Term: **14 Years**

(21) Appl. No.: **29/121,985**

(22) Filed: **Apr. 17, 2000**

(51) **LOC (7) Cl.** **23-02**

(52) **U.S. Cl.** **D6/523**

(58) **Field of Search** D6/518-523, 546, D6/550; 211/13.1, 85.3, 86.01, 87.01, 89.01, 106, 106.01, 181.1; 248/304, 309.1, 309.2

(56) **References Cited**

U.S. PATENT DOCUMENTS

- D. 382,752 * 8/1997 Goodman et al. D6/546
- D. 385,446 * 10/1997 Keserica D6/523
- D. 425,741 * 5/2000 Duggan D6/523

- D. 432,830 * 10/2000 Gastelum et al. D6/523
- D. 433,261 * 11/2000 Solowiej D6/523

* cited by examiner

Primary Examiner—Brian N. Vinson

(74) *Attorney, Agent, or Firm*—Pearne & Gordon LLP

(57) **CLAIM**

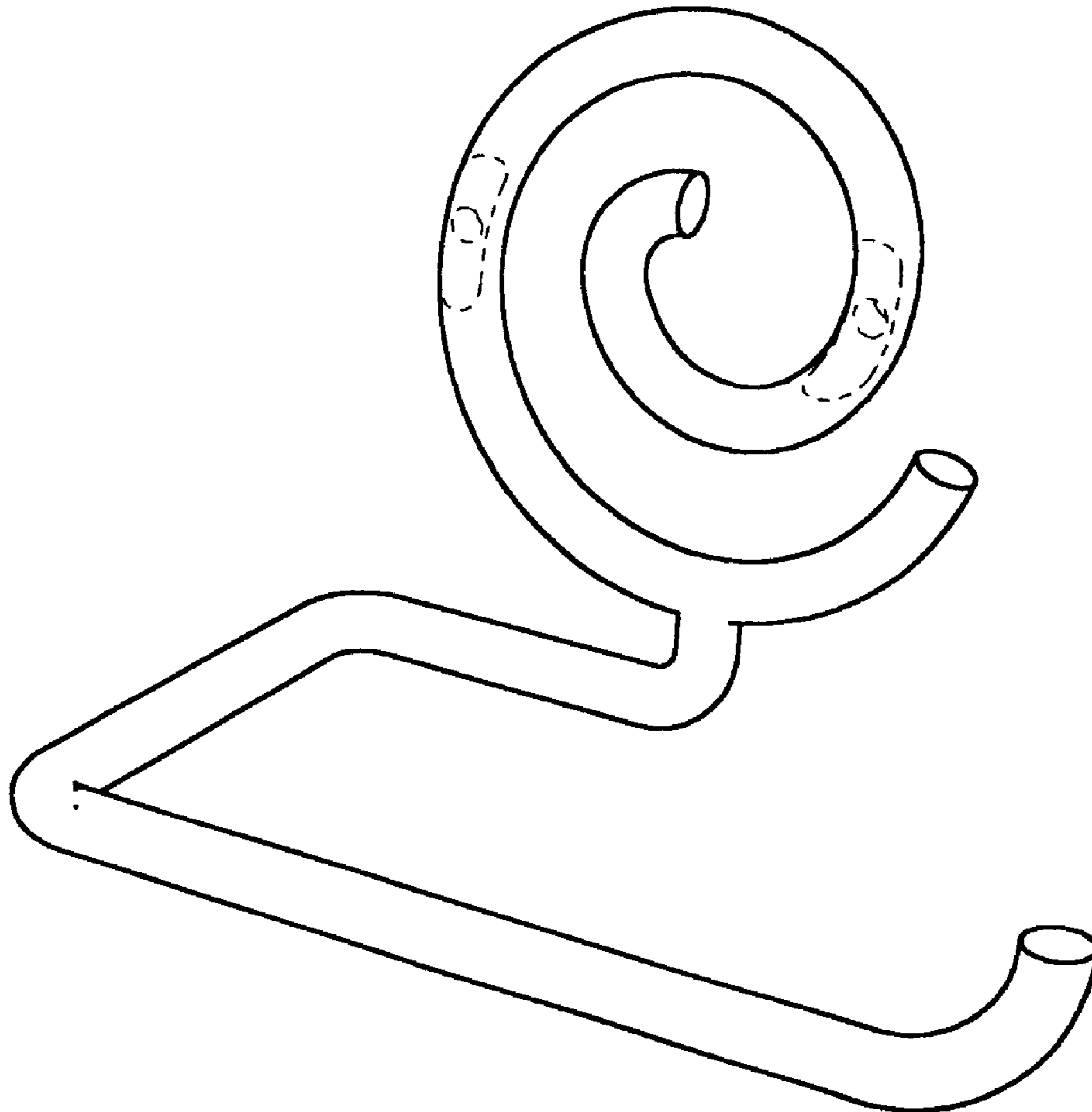
The ornamental design for a toilet tissue holder, as shown and described.

DESCRIPTION

FIG. 1 is a top, front and side perspective view of a toilet tissue holder showing our new design;
 FIG. 2 is a front elevational view thereof;
 FIG. 3 is a rear elevational view thereof;
 FIG. 4 is a right side elevational view thereof;
 FIG. 5 is a left side elevational view thereof;
 FIG. 6 is a top plan view thereof; and,
 FIG. 7 is a bottom plan view thereof.

The broken-line disclosure of elements in the views is for illustrative purposes only and forms no part of the claimed design.

1 Claim, 1 Drawing Sheet



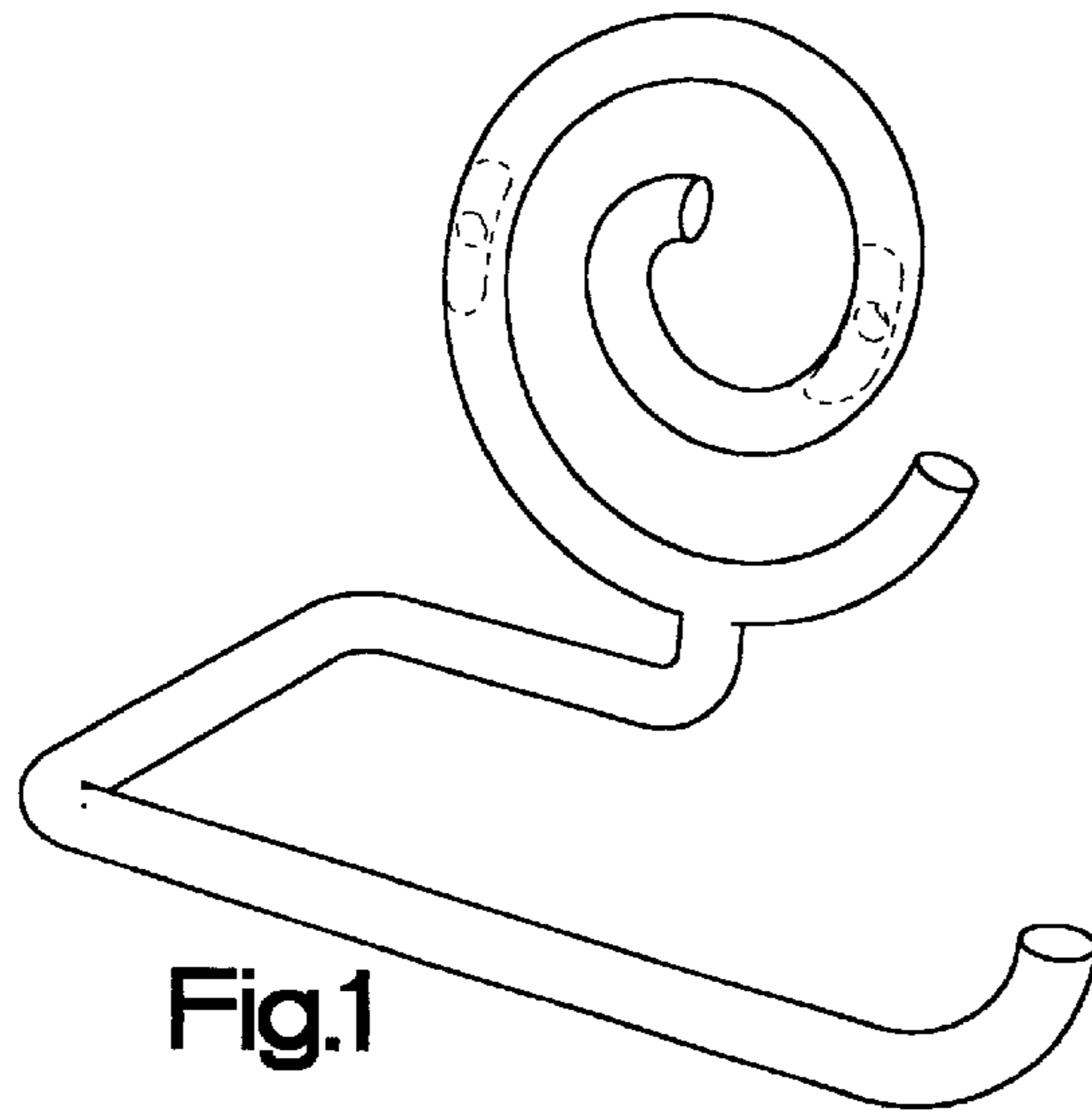


Fig.1

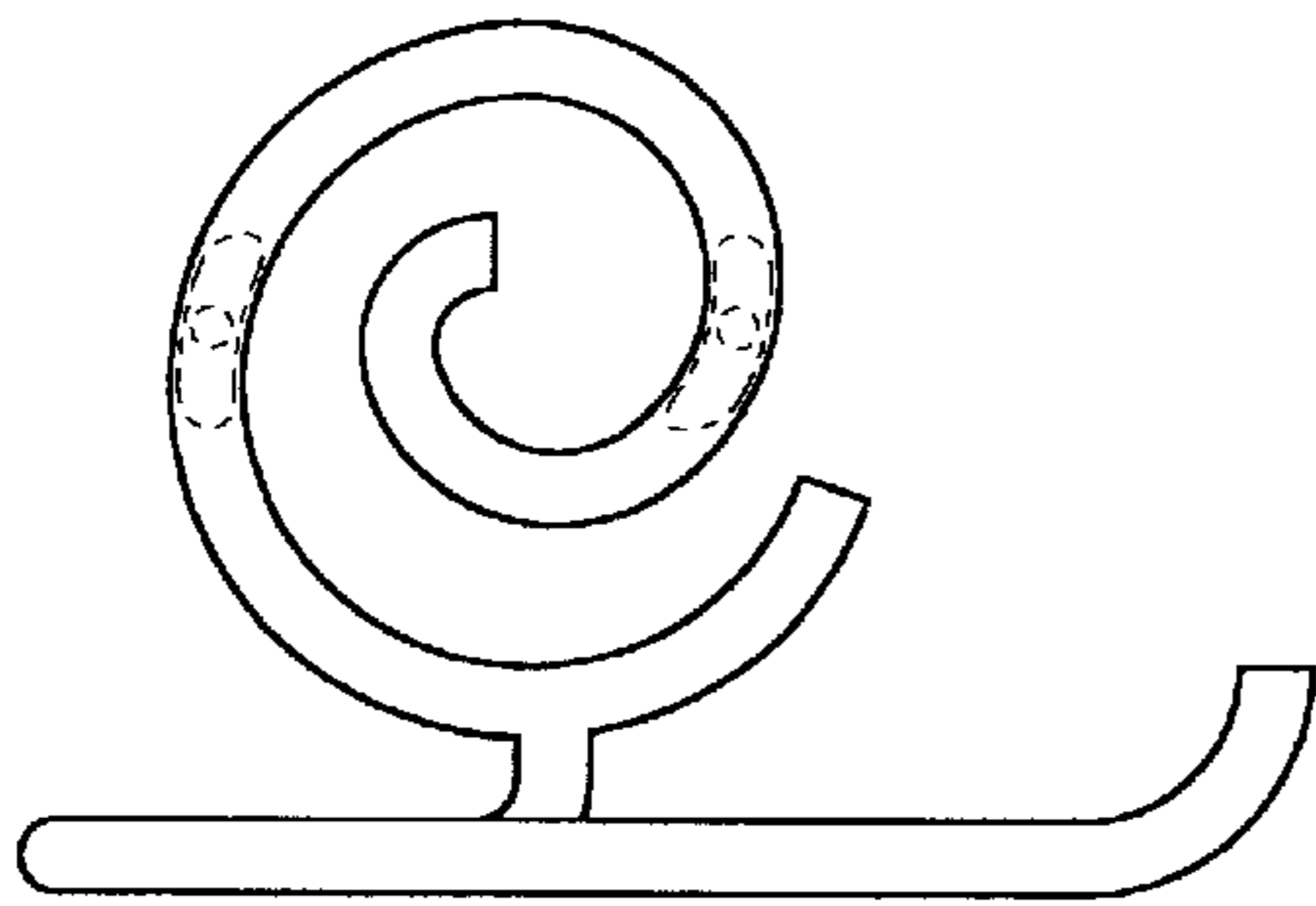


Fig.2

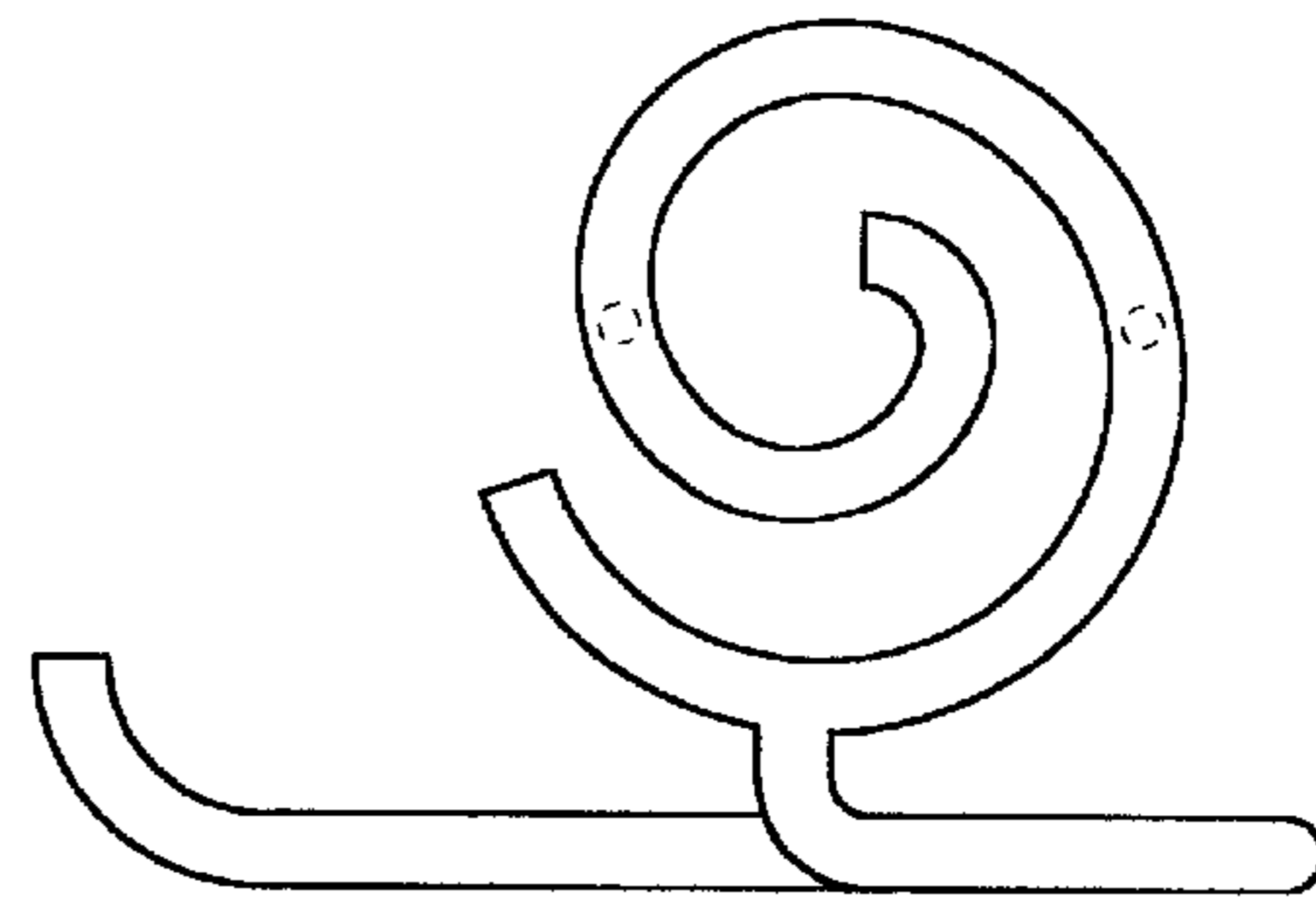


Fig.3

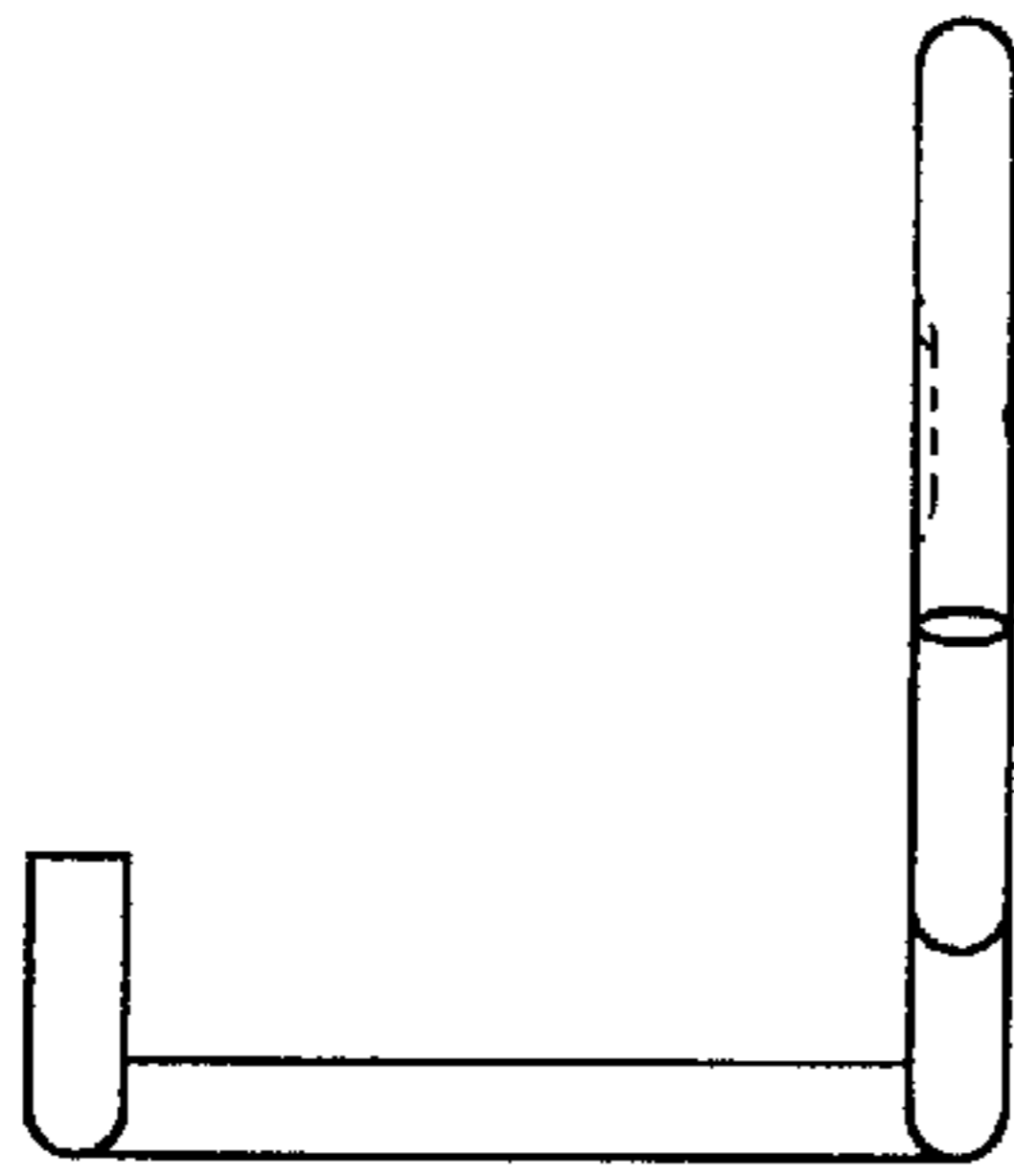


Fig.4

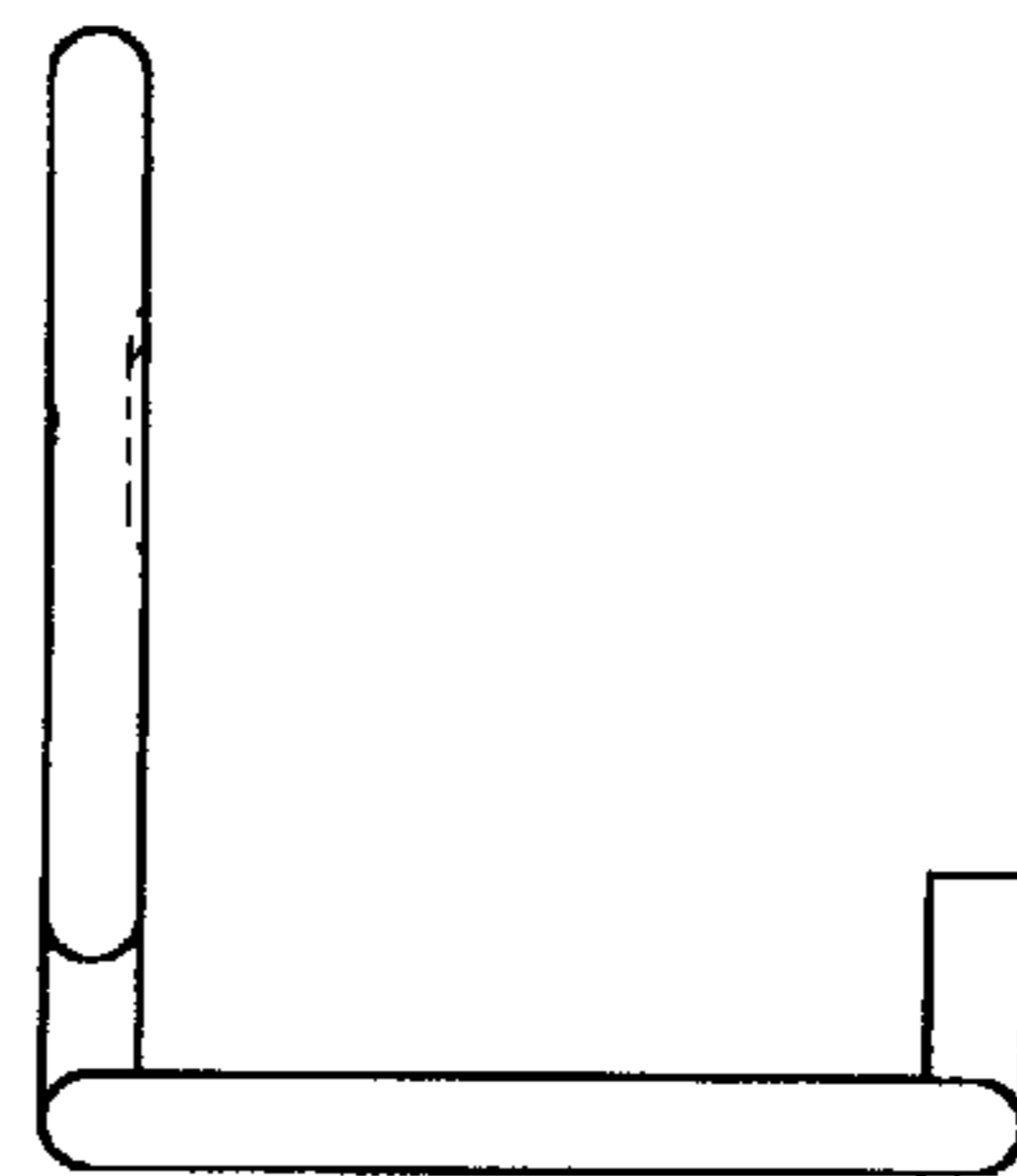


Fig.5

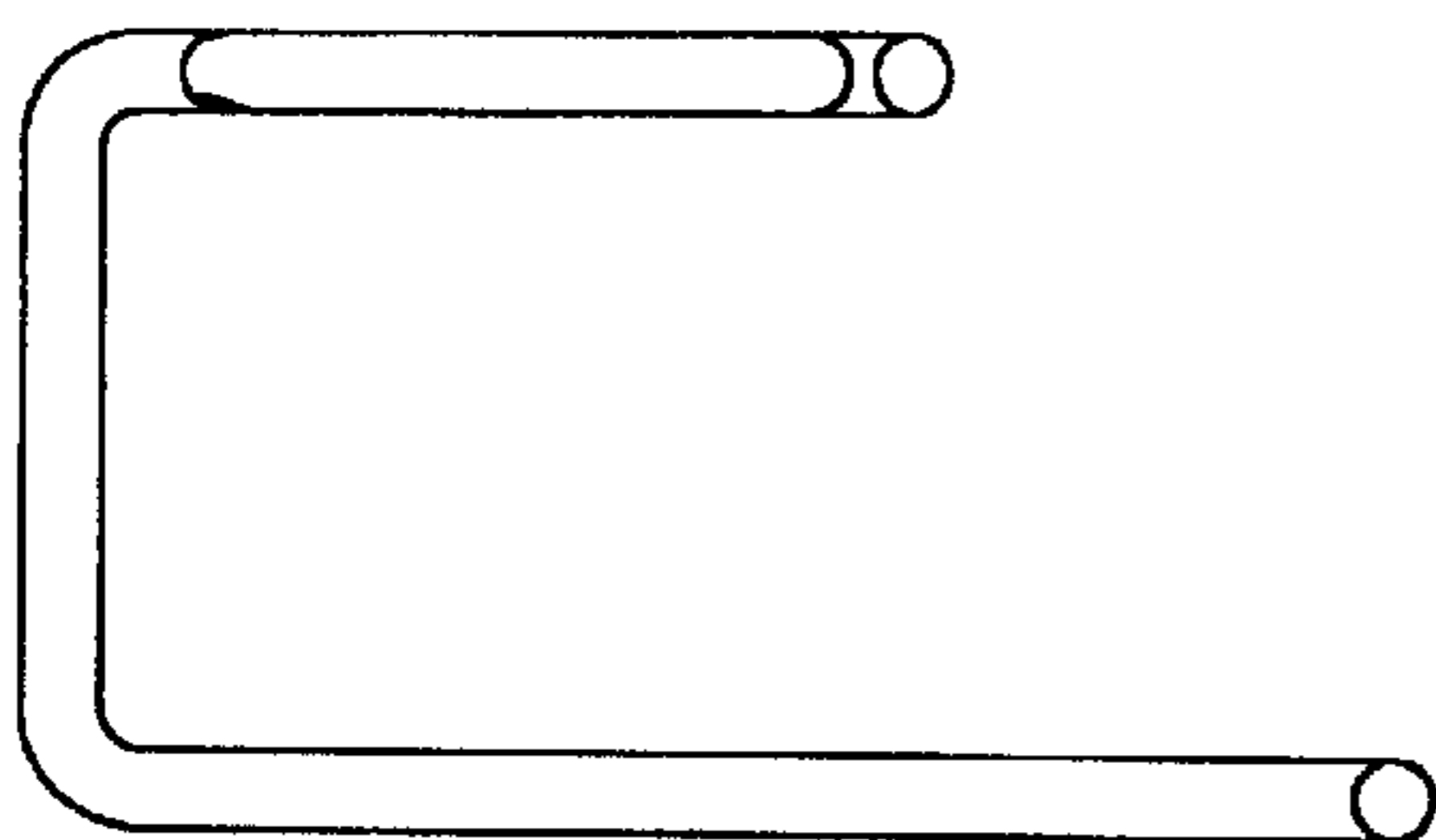


Fig.6

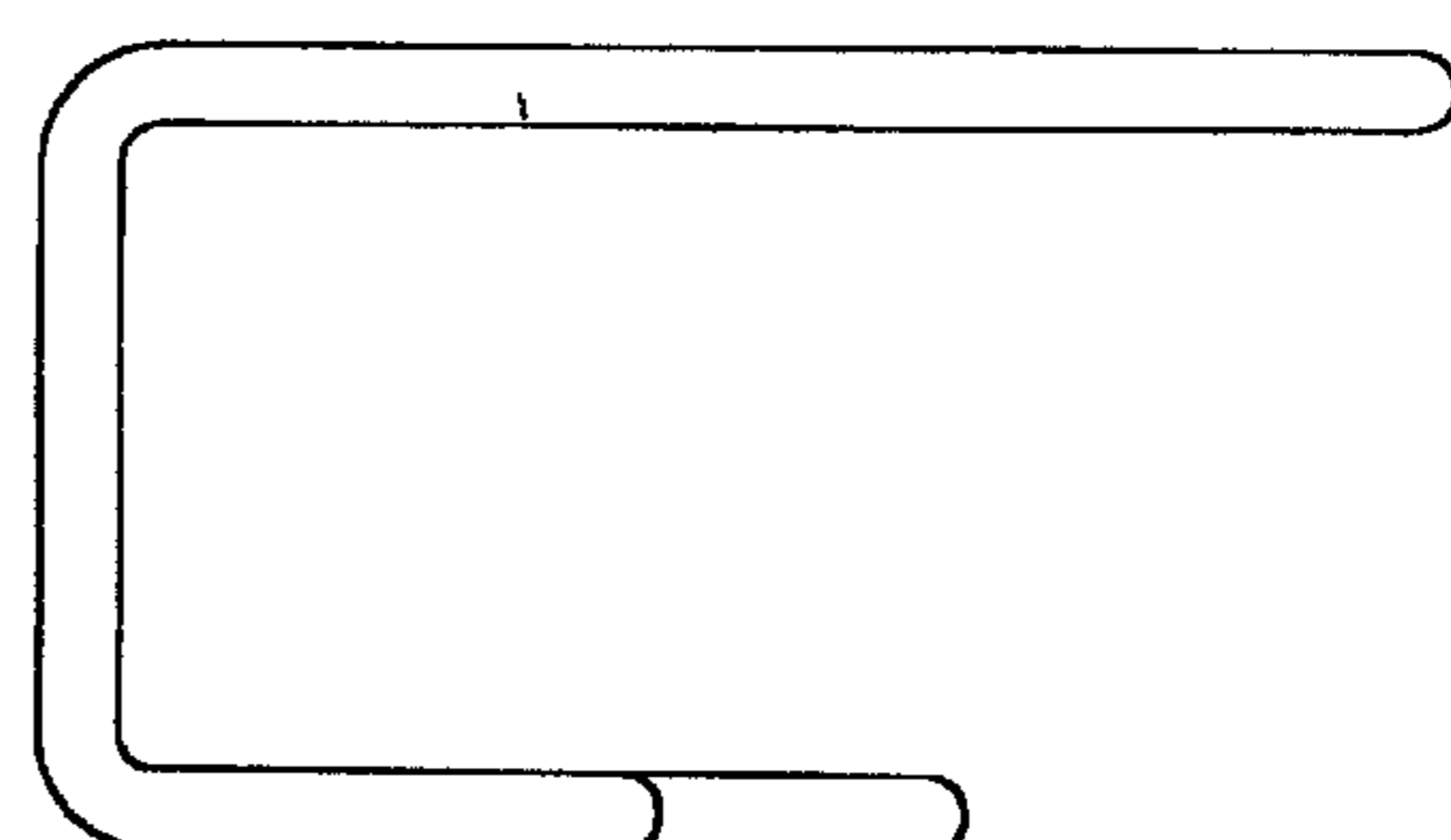


Fig.7