



US00D442404S

(12) **United States Design Patent**  
**Bramsiepe et al.**

(10) **Patent No.:** **US D442,404 S**

(45) **Date of Patent:** **\*\* May 22, 2001**

- (54) **STAND FOR DISPLAY PANELS**
- (75) Inventors: **Holger Bramsiepe; Matthias Ocklenburg**, both of Wuppertal (DE)
- (73) Assignee: **“Durable” Hunke & Joachheim GmbH & Co. KG**, Iserlohn (DE)
- (\*\*) Term: **14 Years**
- (21) Appl. No.: **29/106,549**
- (22) Filed: **Jun. 17, 1999**

- D. 407,440 \* 3/1999 Vanlandingham, Jr. .... D19/88
- D. 417,805 \* 12/1999 Bramsiepe et al. .... D6/509
- D. 418,166 \* 12/1999 Dill ..... D19/88
- D. 428,606 \* 7/2000 Ancona et al. .... D6/310 X
- 5,038,978 \* 8/1991 Kolton et al. .... 211/162 X

\* cited by examiner

*Primary Examiner*—Cathron Brooks  
(74) *Attorney, Agent, or Firm*—Mark P. Stone

**Related U.S. Application Data**

- (62) Division of application No. 29/073,968, filed on Jul. 24, 1997, now Pat. No. Des. 417,805.

(30) **Foreign Application Priority Data**

- Jan. 24, 1997 (DE) ..... 97 00 573
- Jan. 24, 1997 (DE) ..... 97 00 571

- (51) **LOC (7) Cl.** ..... **06-06**
- (52) **U.S. Cl.** ..... **D6/509; D19/91**
- (58) **Field of Search** ..... D6/400, 490, 495, D6/496, 509, 310, 332; D19/75, 76, 86, 91; 211/42; 108/155, 157.1; 248/177.1, 188, 188.7, 188.8, 441.1, 444, 450, 451

(56) **References Cited**

**U.S. PATENT DOCUMENTS**

- D. 379,411 \* 5/1997 Funk ..... D6/495

(57) **CLAIM**

The ornamental design for a stand for display panels, as shown and described.

**DESCRIPTION**

FIG. 1 is a front perspective view of a stand for display panels, in accordance with a first embodiment of the present invention;

FIG. 2 is a side perspective view thereof;

FIG. 3 is a top perspective view thereof;

FIG. 4 is a rear perspective view thereof;

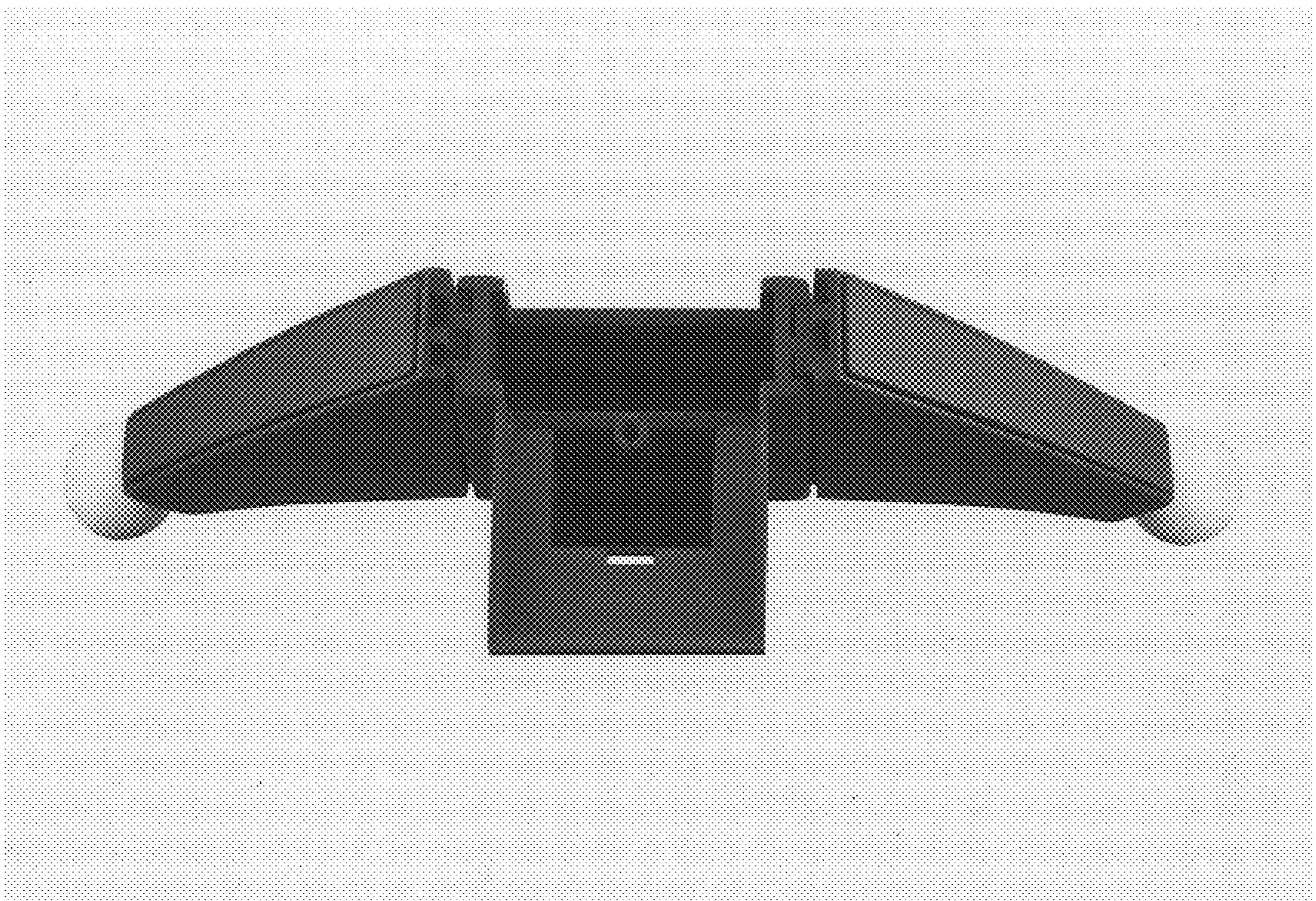
FIG. 5 is a front perspective view of a stand for display panels, in accordance with a second embodiment of the present invention;

FIG. 6 is a side perspective view thereof;

FIG. 7 is a top perspective view thereof; and,

FIG. 8 is a rear perspective view thereof.

**1 Claim, 8 Drawing Sheets**



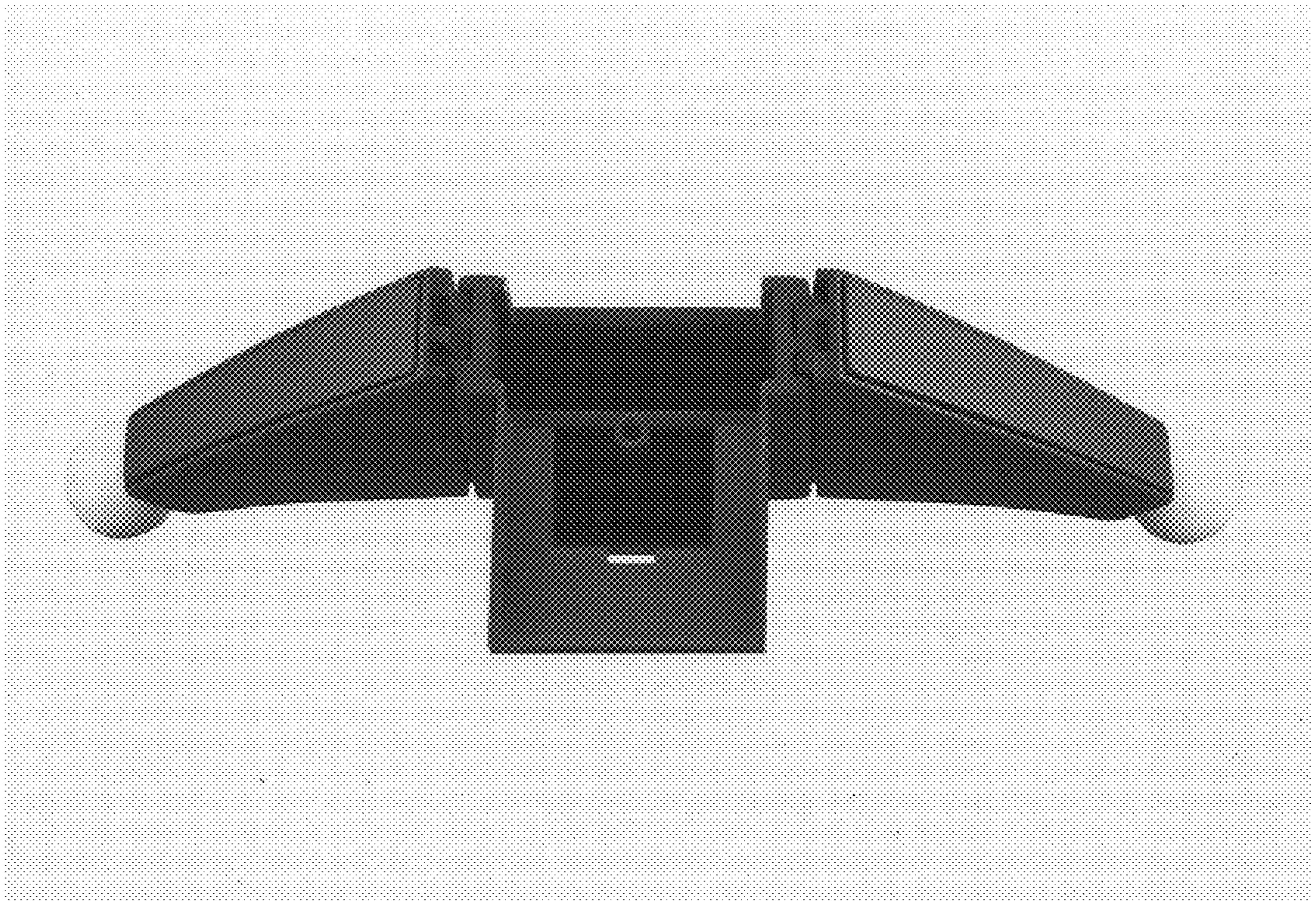


FIG. 1

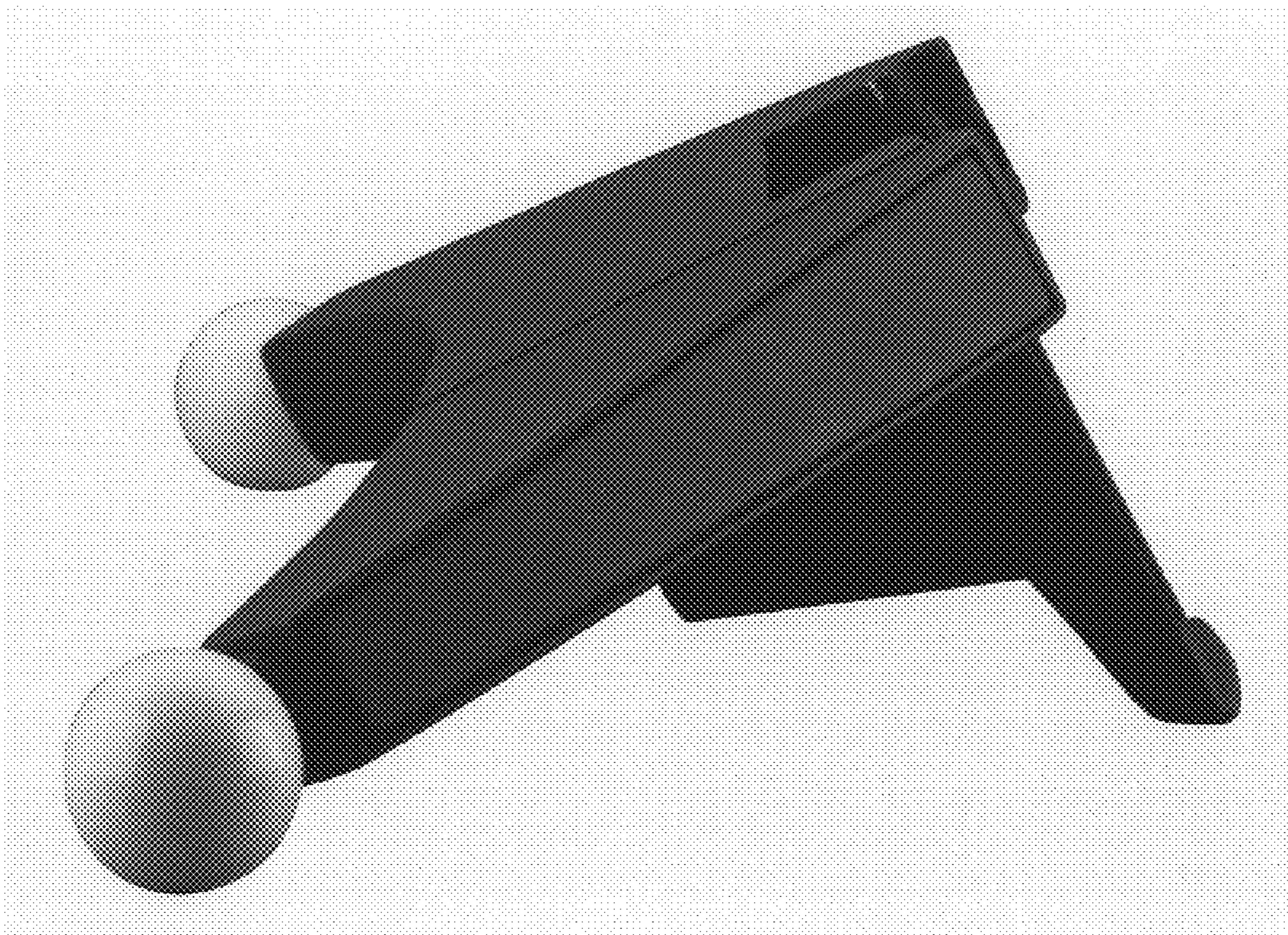


FIG. 2

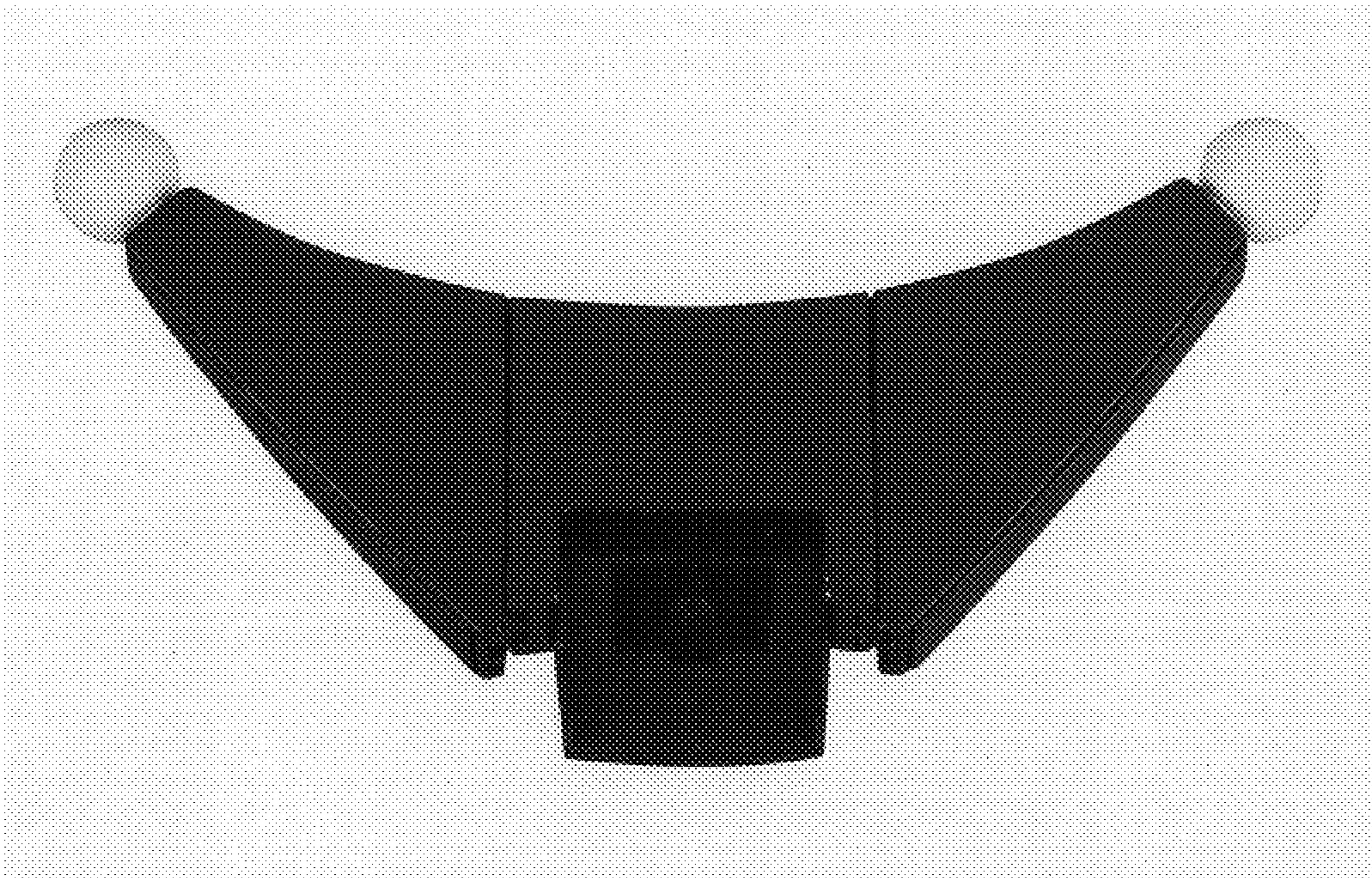


FIG. 3

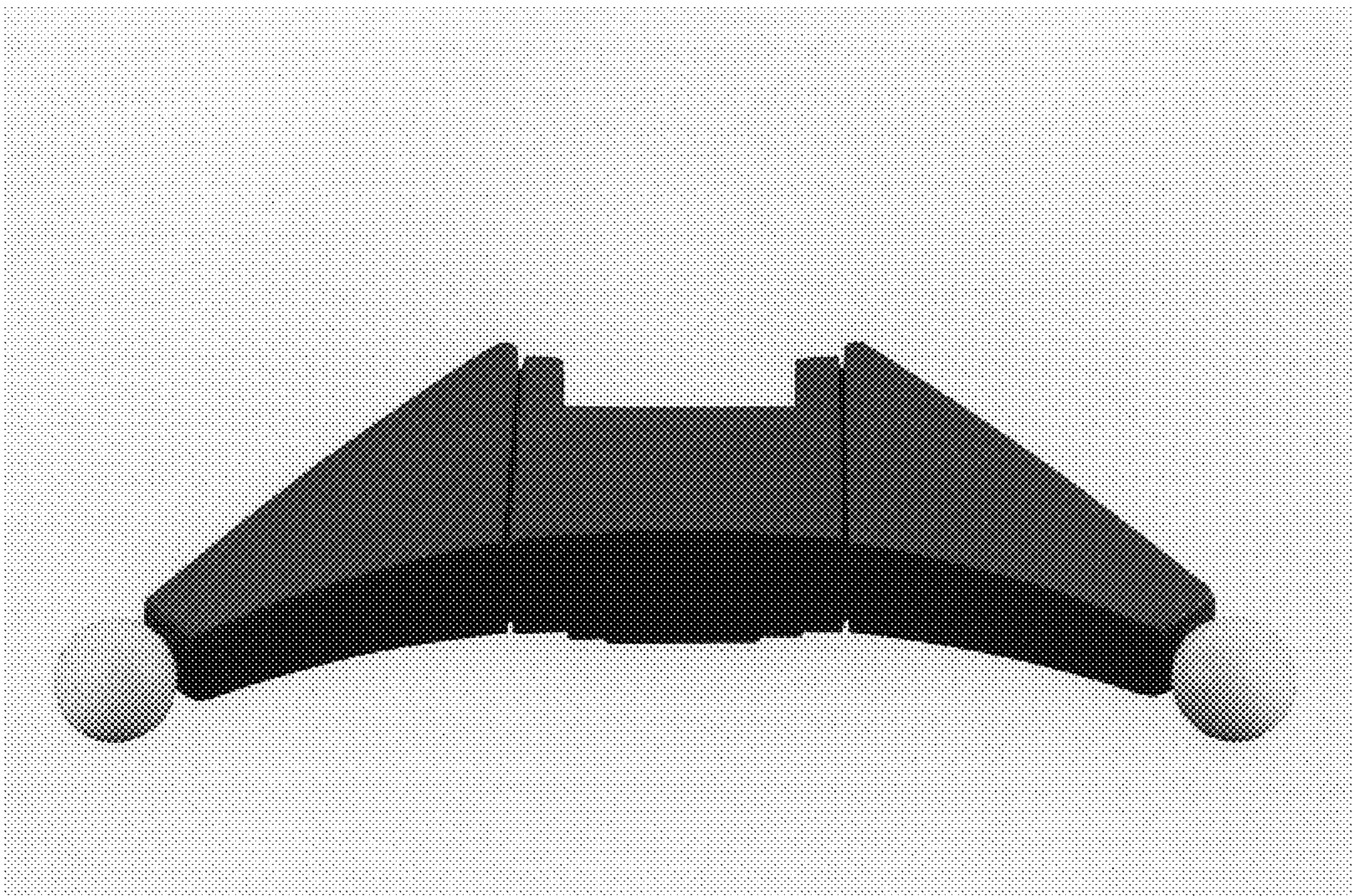


FIG. 4

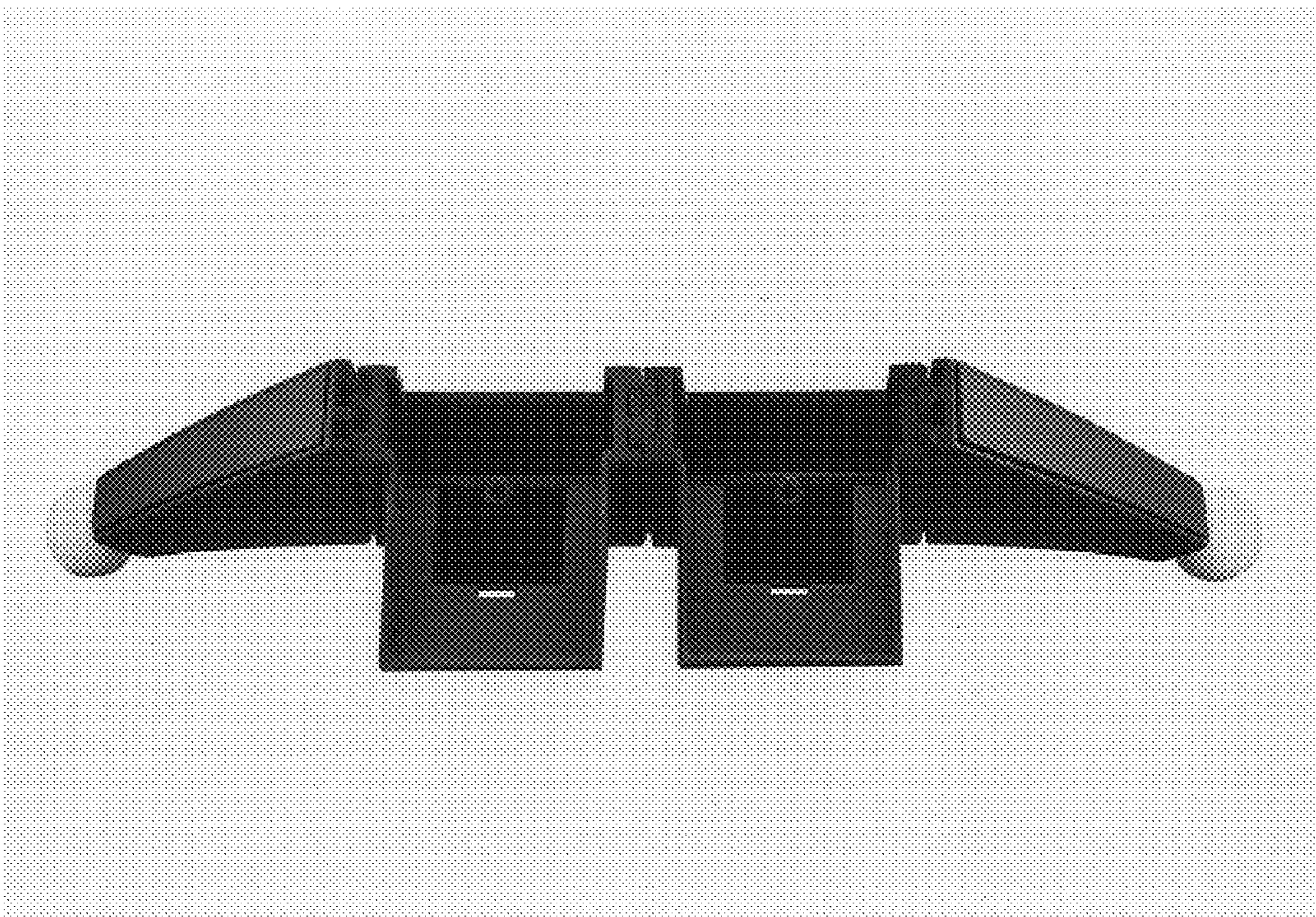


FIG. 5

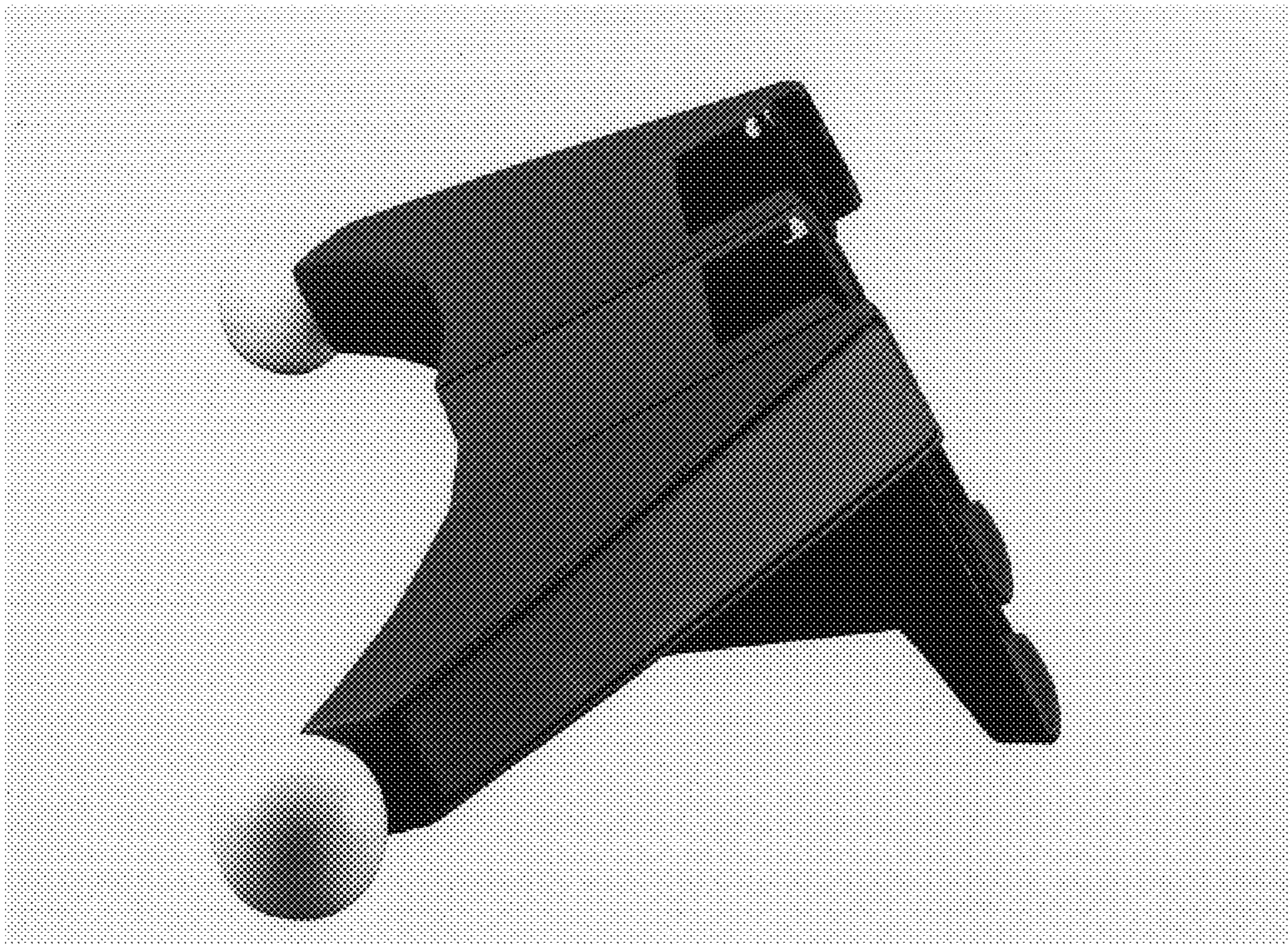


FIG. 6

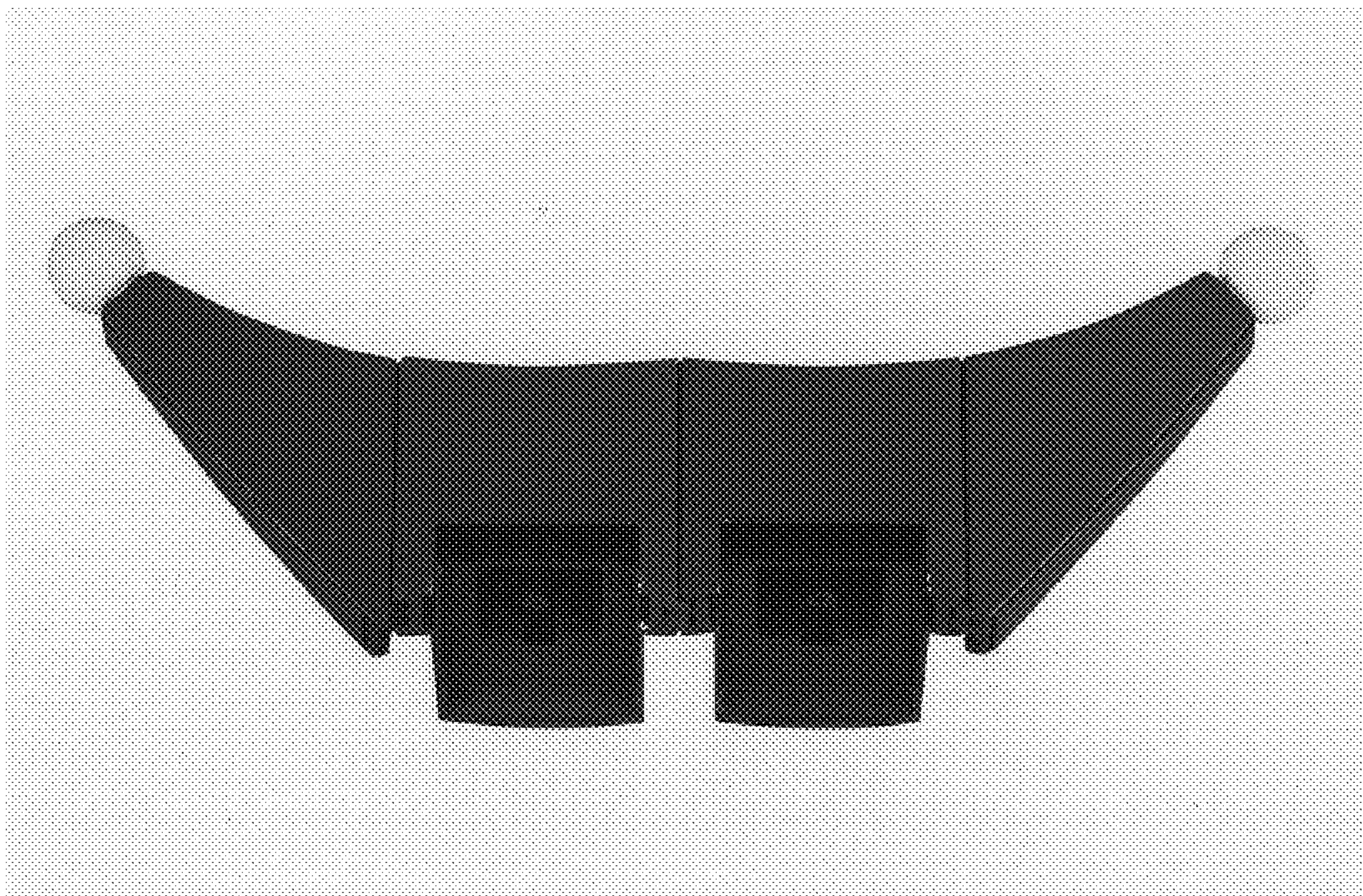


FIG. 7



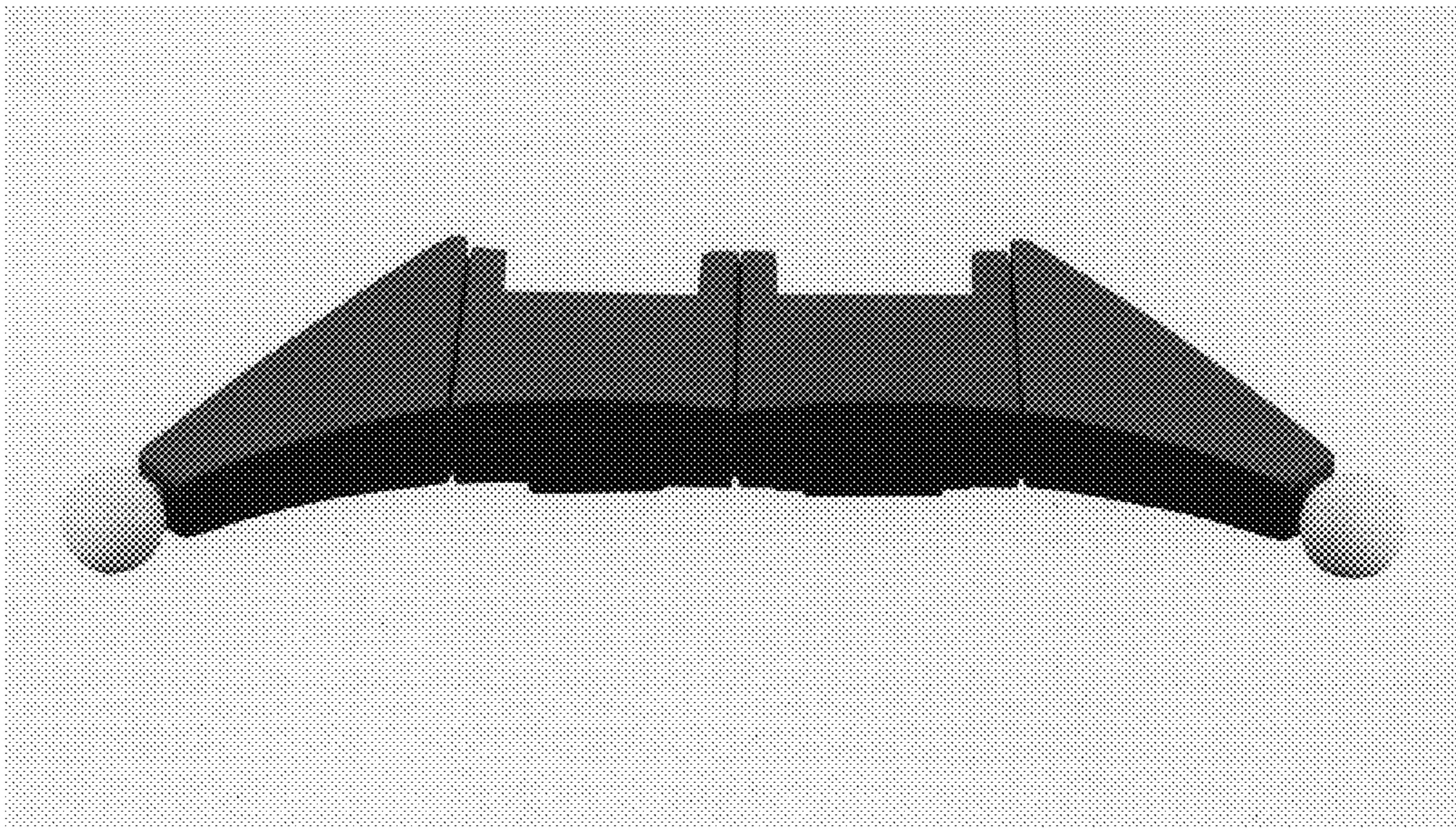


FIG. 8