



US00D442403S

(12) **United States Design Patent**
McGruder

(10) **Patent No.:** **US D442,403 S**

(45) **Date of Patent:** **** May 22, 2001**

(54) **FOLDABLE BACK REST**

(76) Inventor: **LaBerta McGruder**, 213 N. Tioga St.,
Ithaca, NY (US) 14850

(**) Term: **14 Years**

(21) Appl. No.: **29/111,279**

(22) Filed: **Dec. 2, 1999**

(51) **LOC (7) Cl.** **06-06**

(52) **U.S. Cl.** **D6/502**

(58) **Field of Search** D6/334, 335, 336,
D6/367, 368, 500, 501, 502, 382, 601;
297/372, 377, 230.1, 230.13; 190/8, 12 A

(56) **References Cited**

U.S. PATENT DOCUMENTS

D. 244,336	*	5/1977	Stein	D6/368
D. 290,797	*	7/1987	Hartt	D6/502
D. 343,525	*	1/1994	Wright	D6/368
D. 346,280	*	4/1994	Metter	D6/368
D. 352,635	*	11/1994	Yoder	D6/382
D. 398,162	*	9/1998	Reck, Jr.	D6/335
405,038	*	6/1889	Koechling	297/377

1,647,297	*	11/1927	Johnson	297/372
1,842,424	*	1/1932	Ponten et al.	297/377
2,200,247	*	5/1940	Hass	D6/502
2,570,571	*	10/1951	Leeman	190/8
2,828,808	*	4/1958	Hilton	297/129
3,808,616	*	5/1974	White	297/377
5,701,979	*	12/1997	Voich	190/8

* cited by examiner

Primary Examiner—Jeffrey Asch

Assistant Examiner—Mimosa De

(57) **CLAIM**

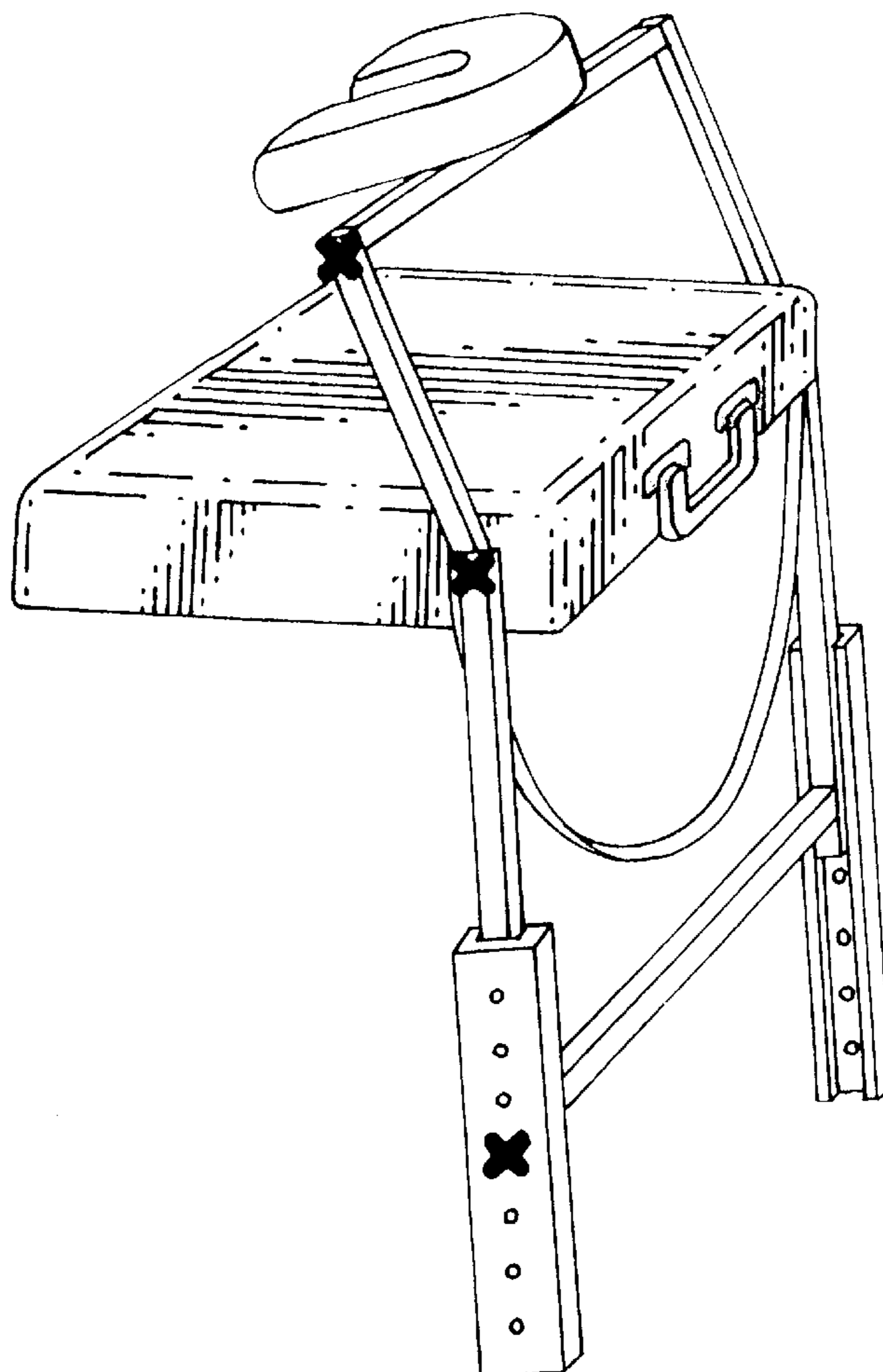
I claim the ornamental design for a foldable back rest, as shown and described.

DESCRIPTION

FIG. 1 is a perspective view of a foldable back rest showing my new design in opened condition; and, FIG. 2 is a front view of a foldable back rest in a folded condition.

The surfaces or portions of articles not shown in the drawing or described in the specification forms are no part of the claimed design.

1 Claim, 1 Drawing Sheet



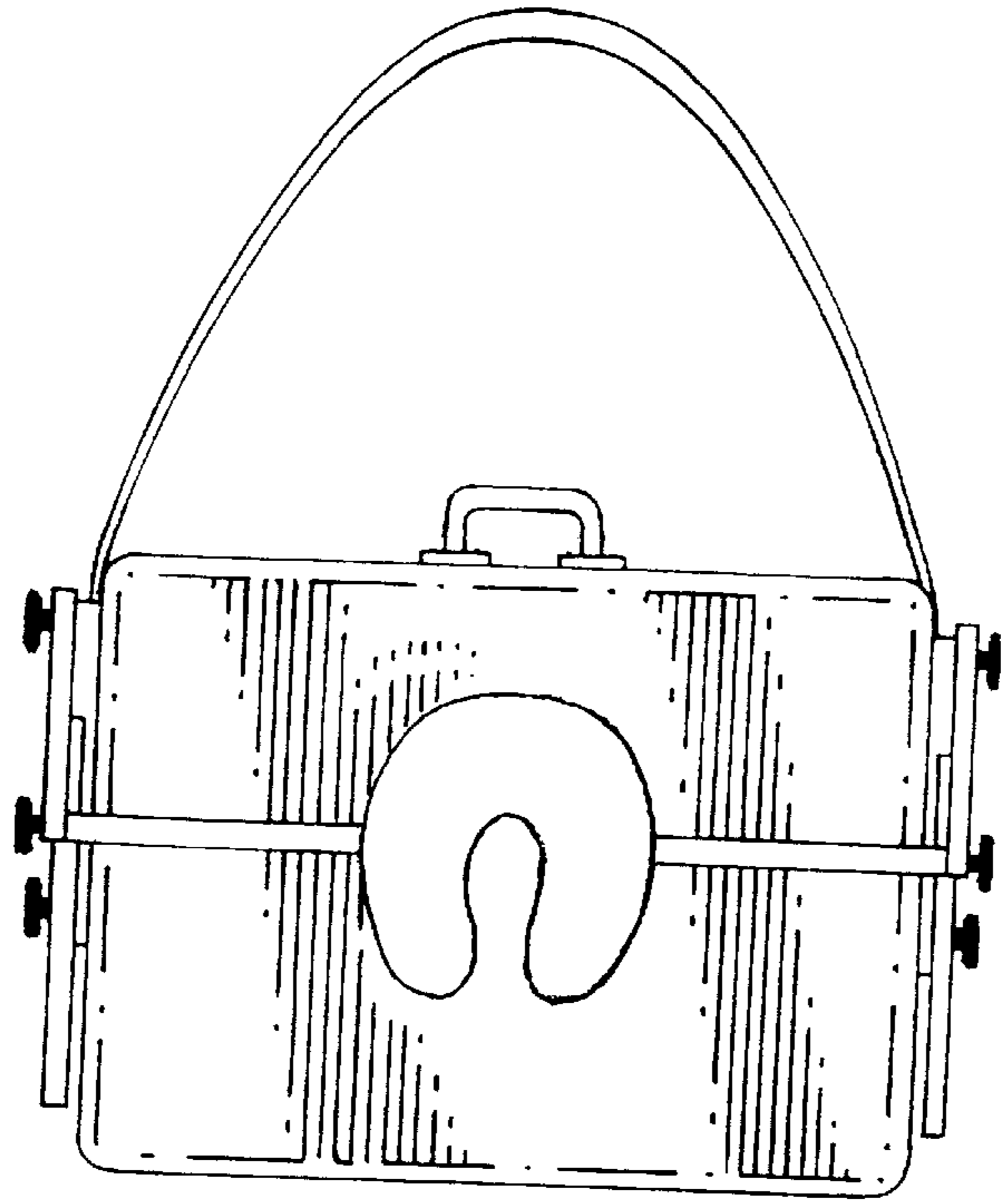


Fig. 2

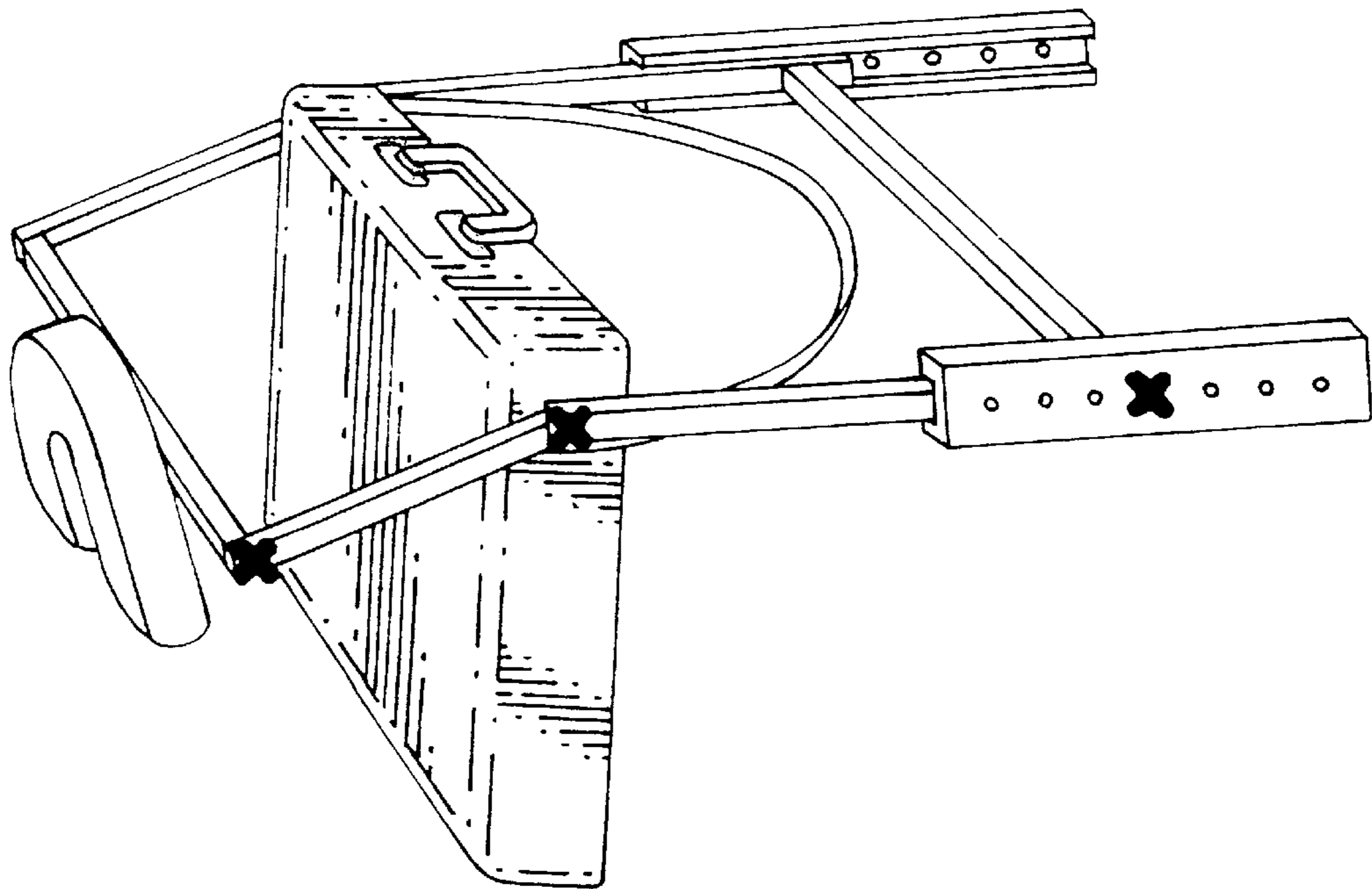


Fig. 1