



US00D442399S

(12) **United States Design Patent**  
**Markus**

(10) **Patent No.:** **US D442,399 S**

(45) **Date of Patent:** **\*\* May 22, 2001**

(54) **CHAIR FRAME**

(76) Inventor: **Isidoro Natalio Markus**, 65-36 99 St.,  
(1E), Rego Park, NY (US) 11374-4363

(\*\*) Term: **14 Years**

(21) Appl. No.: **29/121,896**

(22) Filed: **Apr. 17, 2000**

(51) **LOC (7) Cl.** ..... **06-06**

(52) **U.S. Cl.** ..... **D6/500**

(58) **Field of Search** ..... D6/334, 335, 374,  
D6/375, 376, 379, 380, 500-502, 372, 373;  
297/445.1, 446.1, 411.2, 411.21, 411.23

(56) **References Cited**

**U.S. PATENT DOCUMENTS**

D. 286,826 \* 11/1986 Colby ..... D6/500

D. 432,321 \* 10/2000 Buehler ..... D6/334

\* cited by examiner

*Primary Examiner*—Doris V. Coles

*Assistant Examiner*—Mimosa De

(57) **CLAIM**

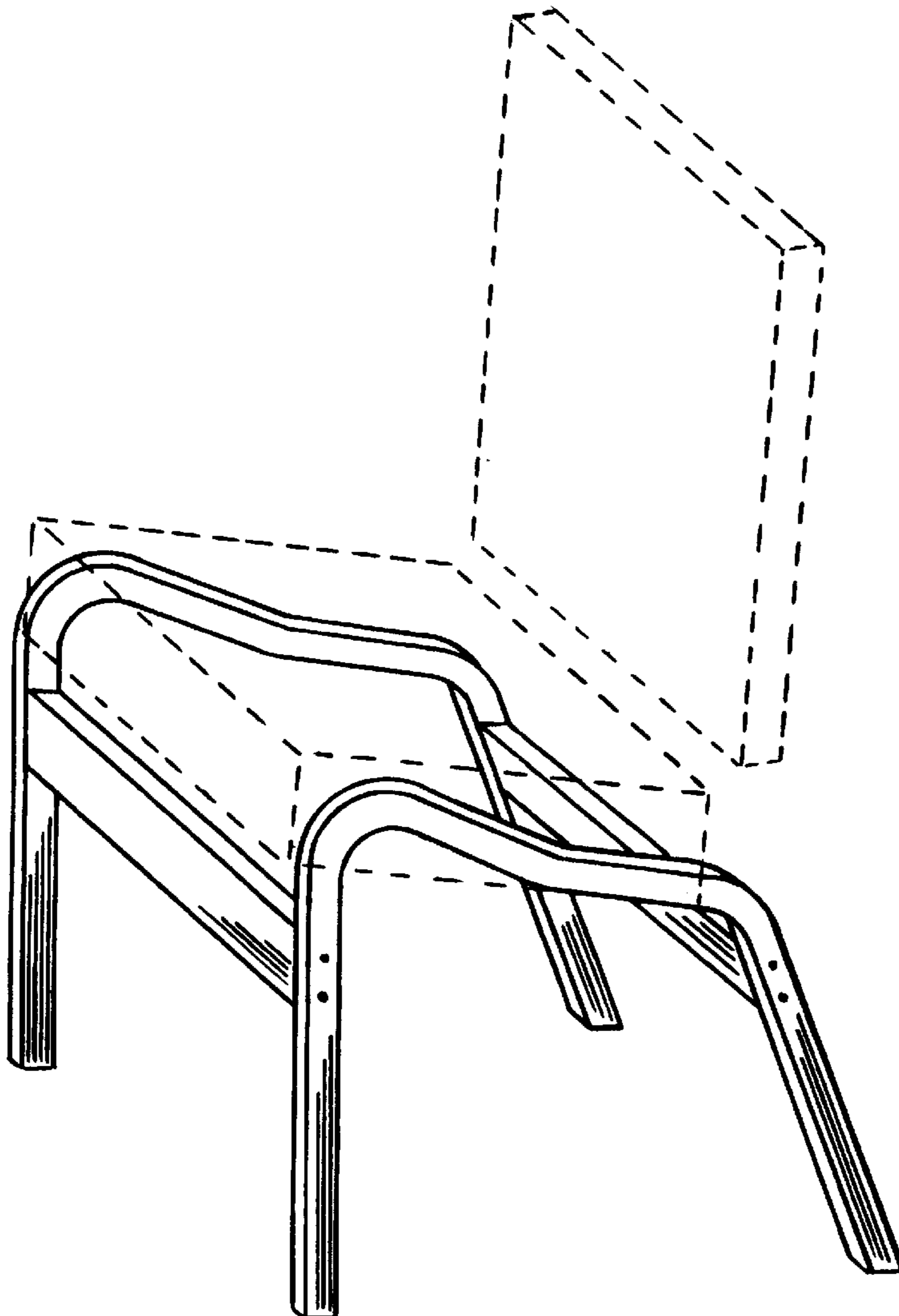
The ornamental design for a chair frame, as shown and described.

**DESCRIPTION**

FIG. 1 is a left side elevational view of a chair frame showing my new design, the right side being a mirror image, FIG. 2 is a front elevational view thereof, FIG. 3 is a rear elevational view thereof; and, FIG. 4 is a perspective view thereof.

The chair upholstery in above figures is shown in broken lines for illustrative purposes only and forms no part of the claimed design.

**1 Claim, 3 Drawing Sheets**



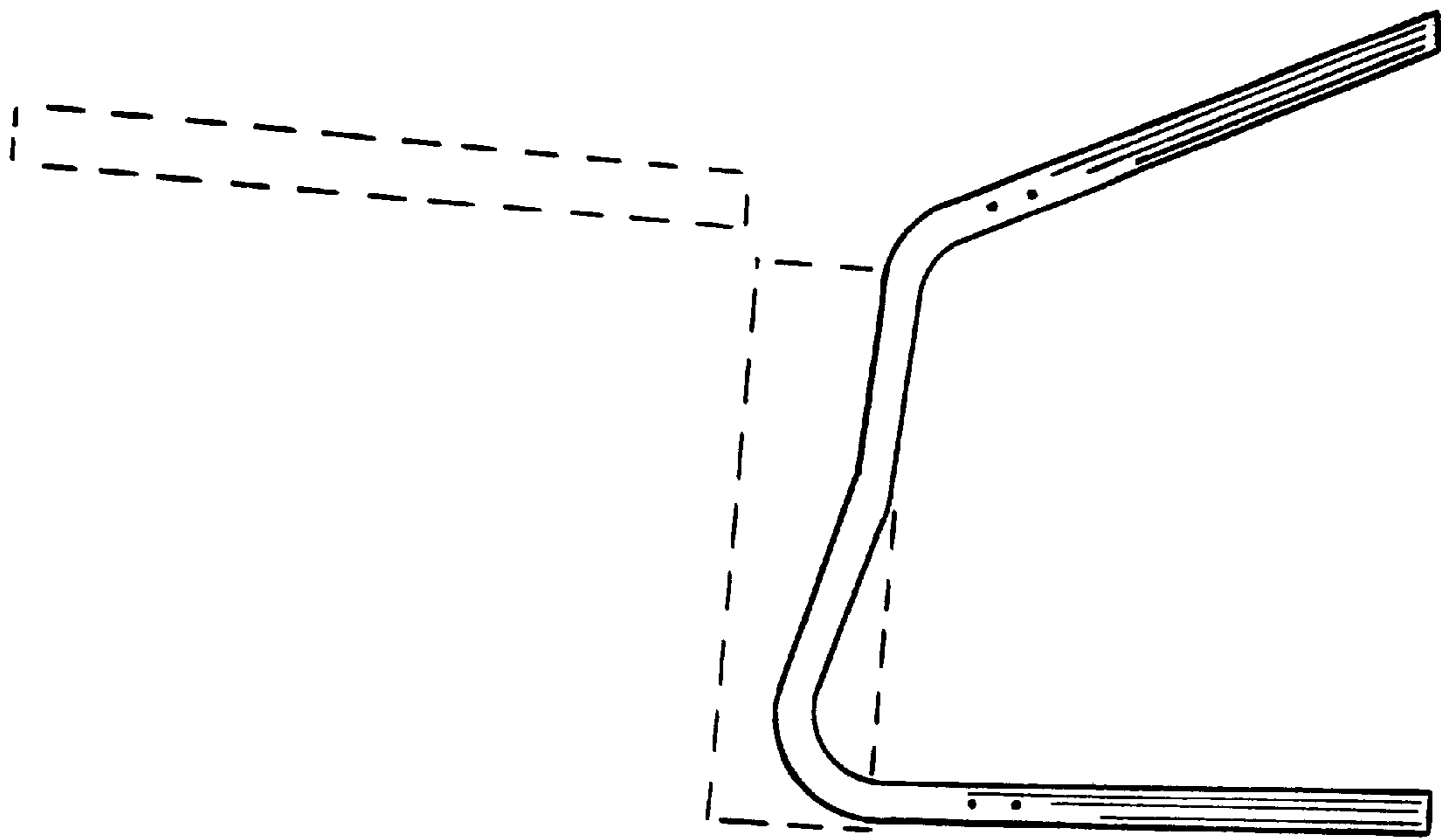


FIG. 1

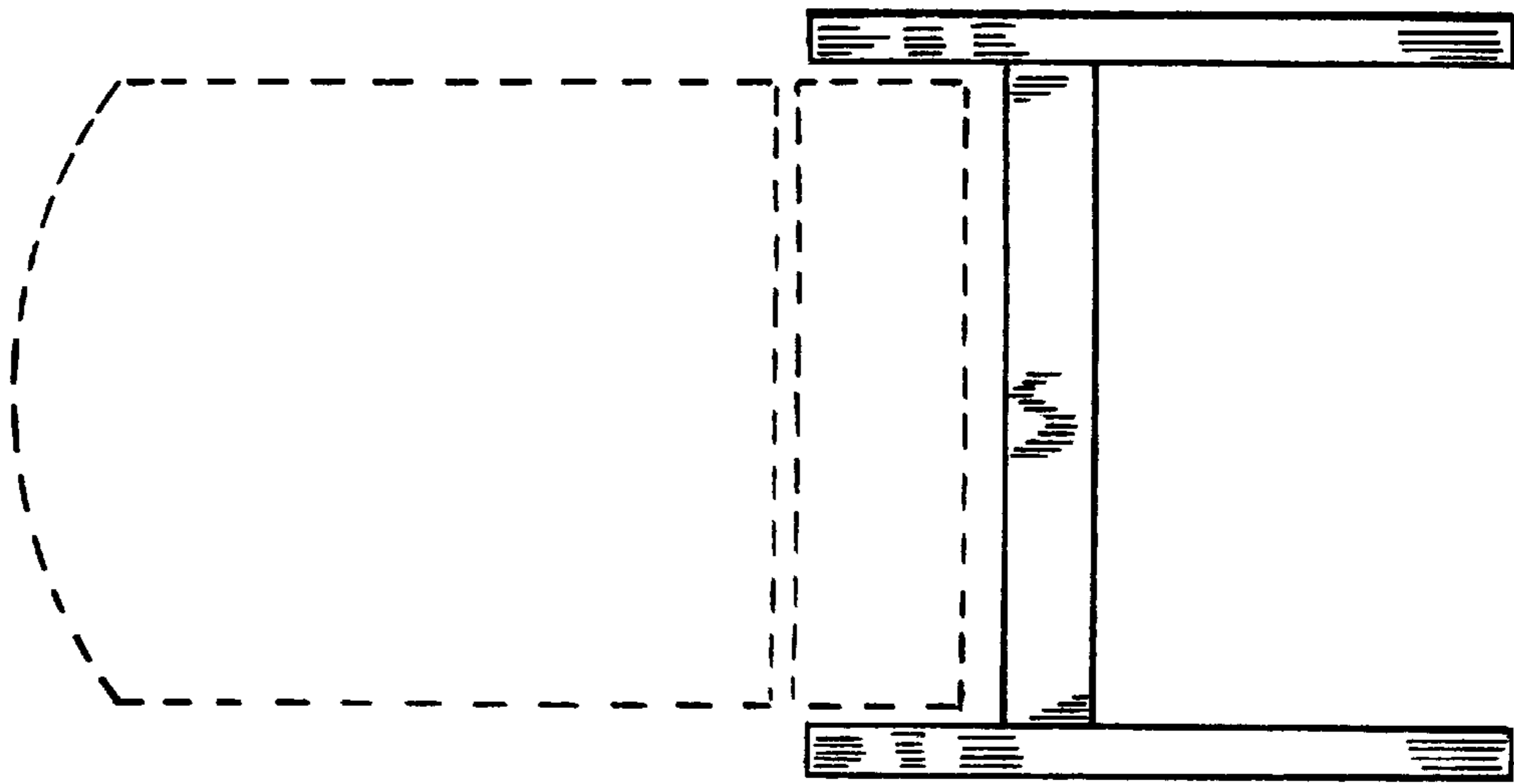


FIG. 3

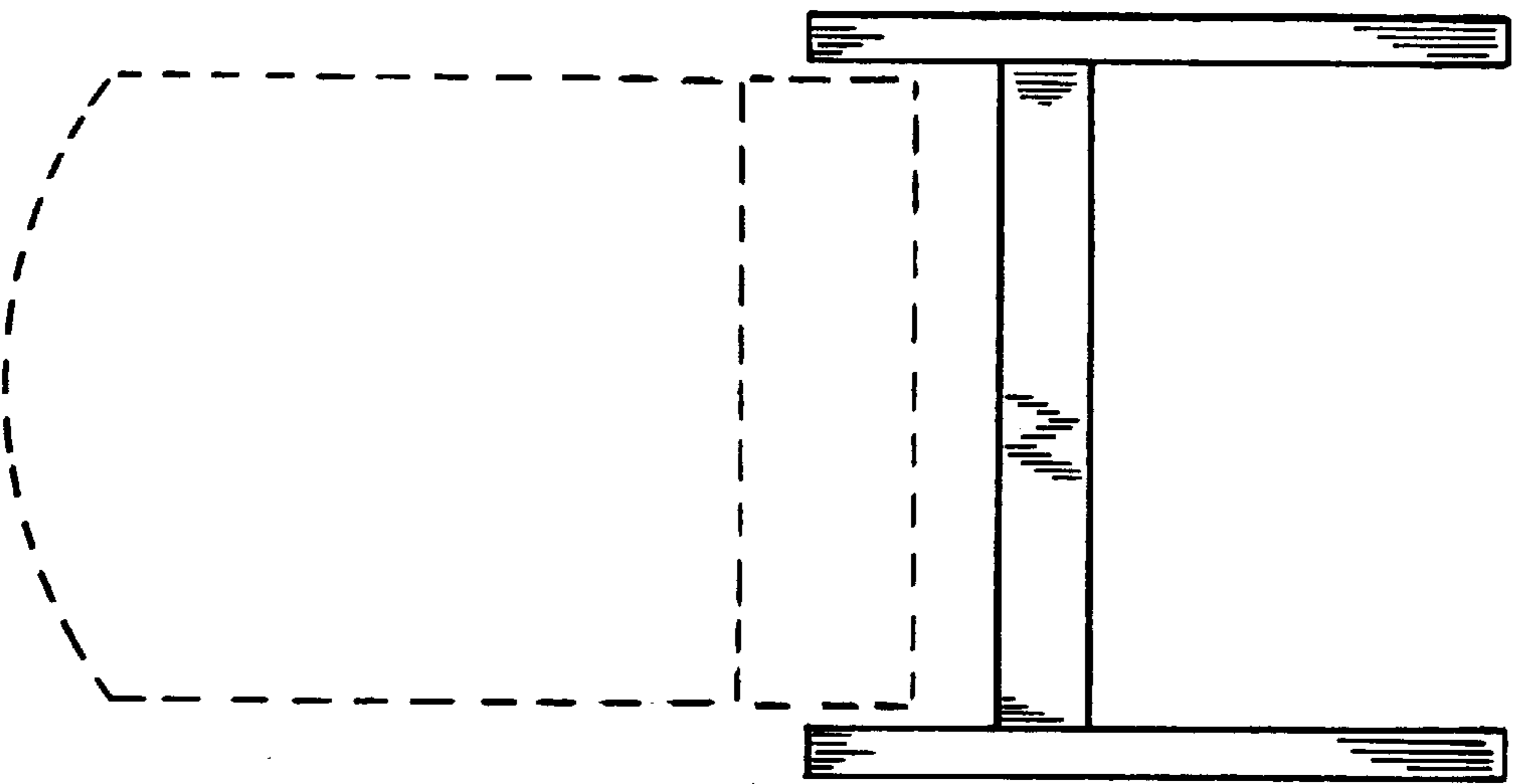


FIG. 2

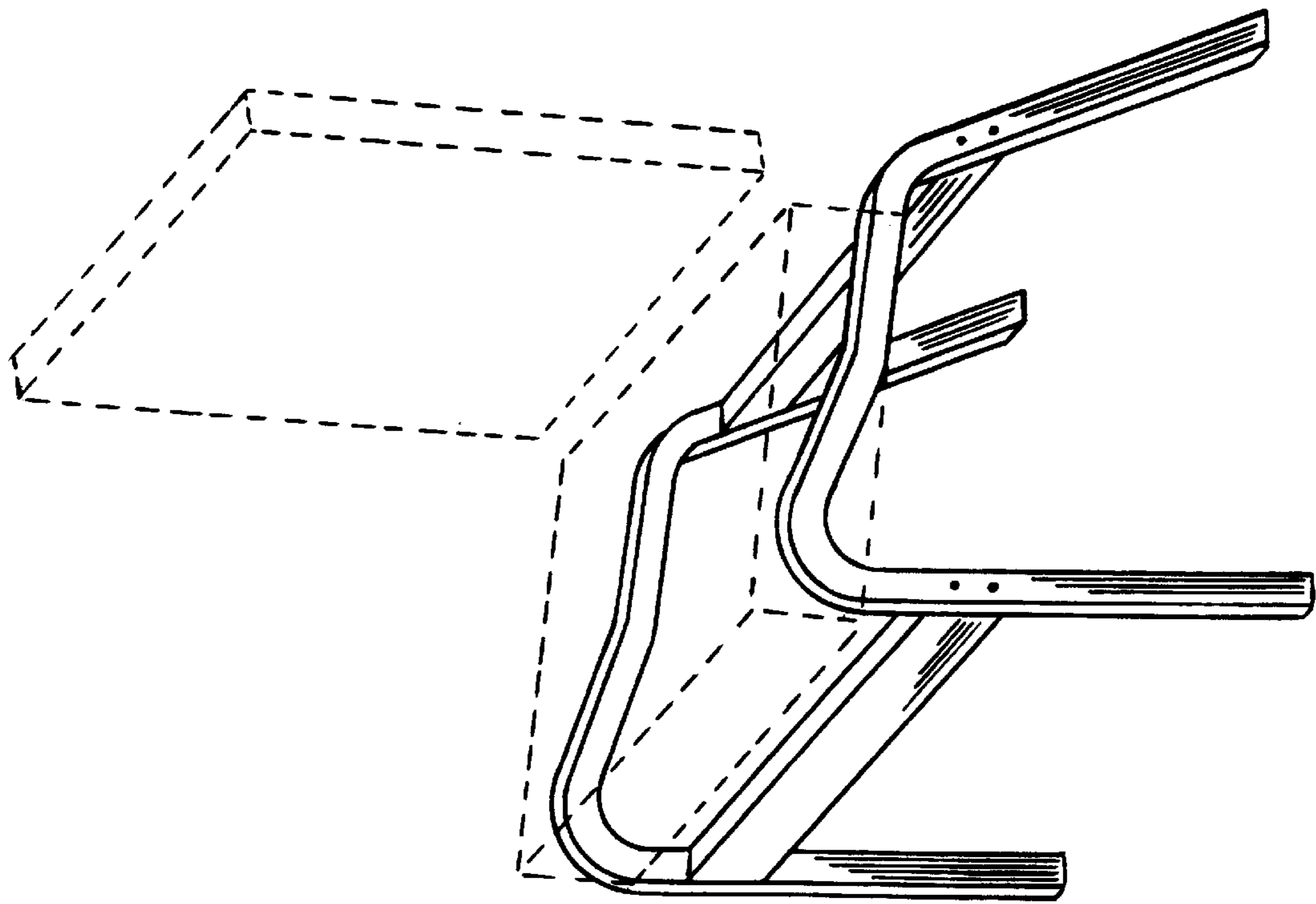


FIG. 4