



US00D442397S

(12) **United States Design Patent**  
**Brown et al.**

(10) **Patent No.:** **US D442,397 S**

(45) **Date of Patent:** **\*\* May 22, 2001**

(54) **DESK**

(75) Inventors: **Guy Anthony Brown**, Groningen (NL);  
**Mark Pennington**, Wellington (NZ)

(73) Assignee: **Formway Furniture Limited**,  
Wellington (NZ)

(\* ) Notice: This patent is subject to a terminal disclaimer.

(\*\* ) Term: **14 Years**

(21) Appl. No.: **29/118,940**

(22) Filed: **Feb. 18, 2000**

(30) **Foreign Application Priority Data**

Aug. 19, 1999 (NZ) ..... 30512

(51) **LOC (7) Cl.** ..... **06-03**

(52) **U.S. Cl.** ..... **D6/482; D6/487**

(58) **Field of Search** ..... D6/480-489, 495,  
D6/496, 498, 499, 511, 423, 429; 108/153.1,  
155, 156, 157.1, 157.14, 161, 50.01, 50.02;  
248/188, 188.1

(56) **References Cited**

**U.S. PATENT DOCUMENTS**

D. 357,831 \* 5/1995 Yeh ..... D6/487  
D. 411,926 7/1999 Brown et al. .  
D. 413,212 \* 8/1999 Dame et al. .... D6/487

**FOREIGN PATENT DOCUMENTS**

131395 9/1997 (AU) .  
131396 9/1997 (AU) .  
136783 3/1999 (AU) .  
49807827 2/1999 (DE) .  
28296 7/1997 (NZ) .  
28297 7/1997 (NZ) .  
29134 6/1998 (NZ) .

\* cited by examiner

*Primary Examiner*—Janice E. Seeger

(74) *Attorney, Agent, or Firm*—Workman, Nydegger & Seeley

(57) **CLAIM**

The ornamental design for a desk, as shown and described.

**DESCRIPTION**

FIG. 1 is an isometric front view taken from upper right hand side of a desk.

FIG. 2 is an isometric rear view taken from upper left hand side of a novel desk.

FIG. 3 is a top view of a novel desk.

FIG. 4 is a bottom view of a novel desk.

FIG. 5 is a right side view of a novel desk.

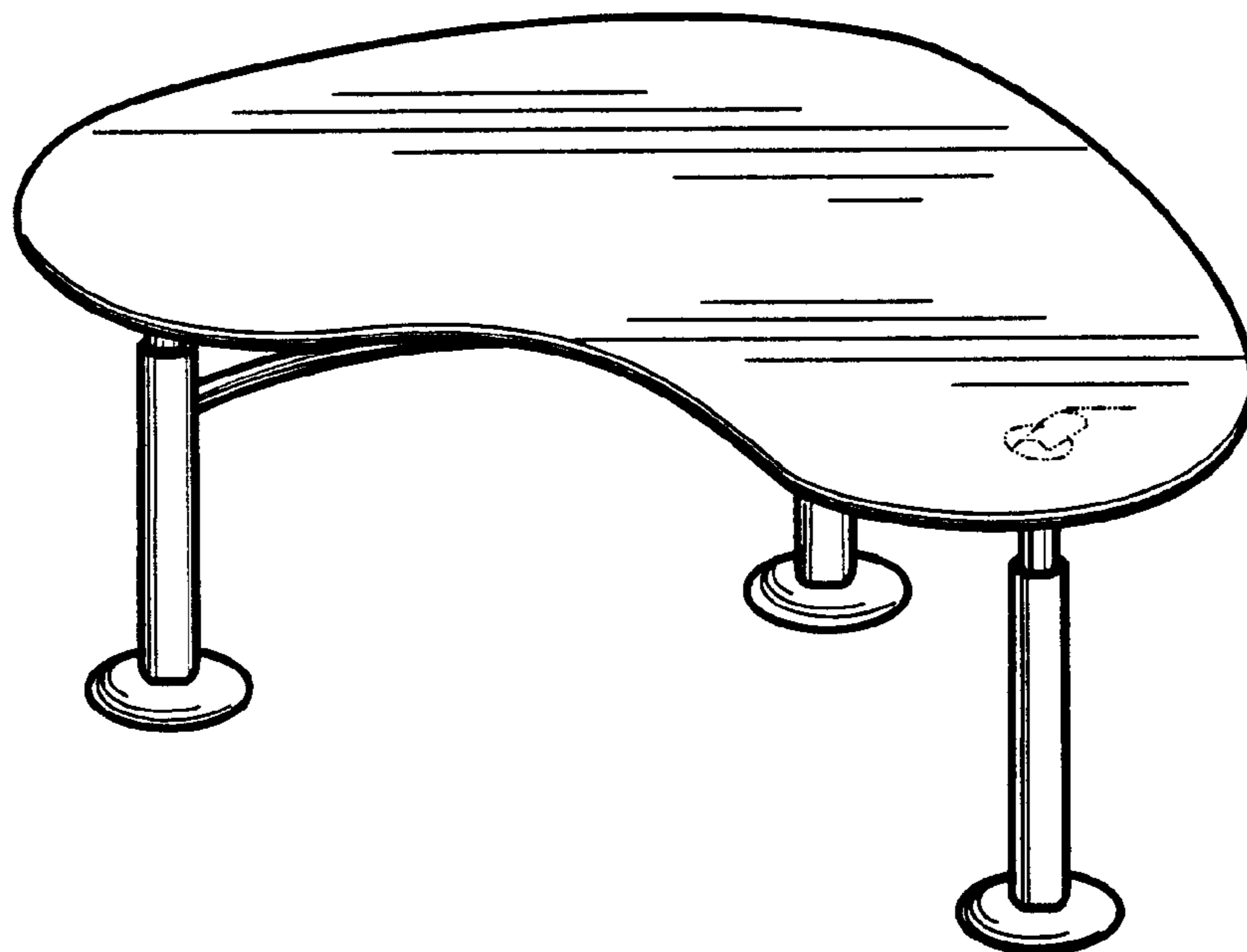
FIG. 6 is a left side view of a novel desk.

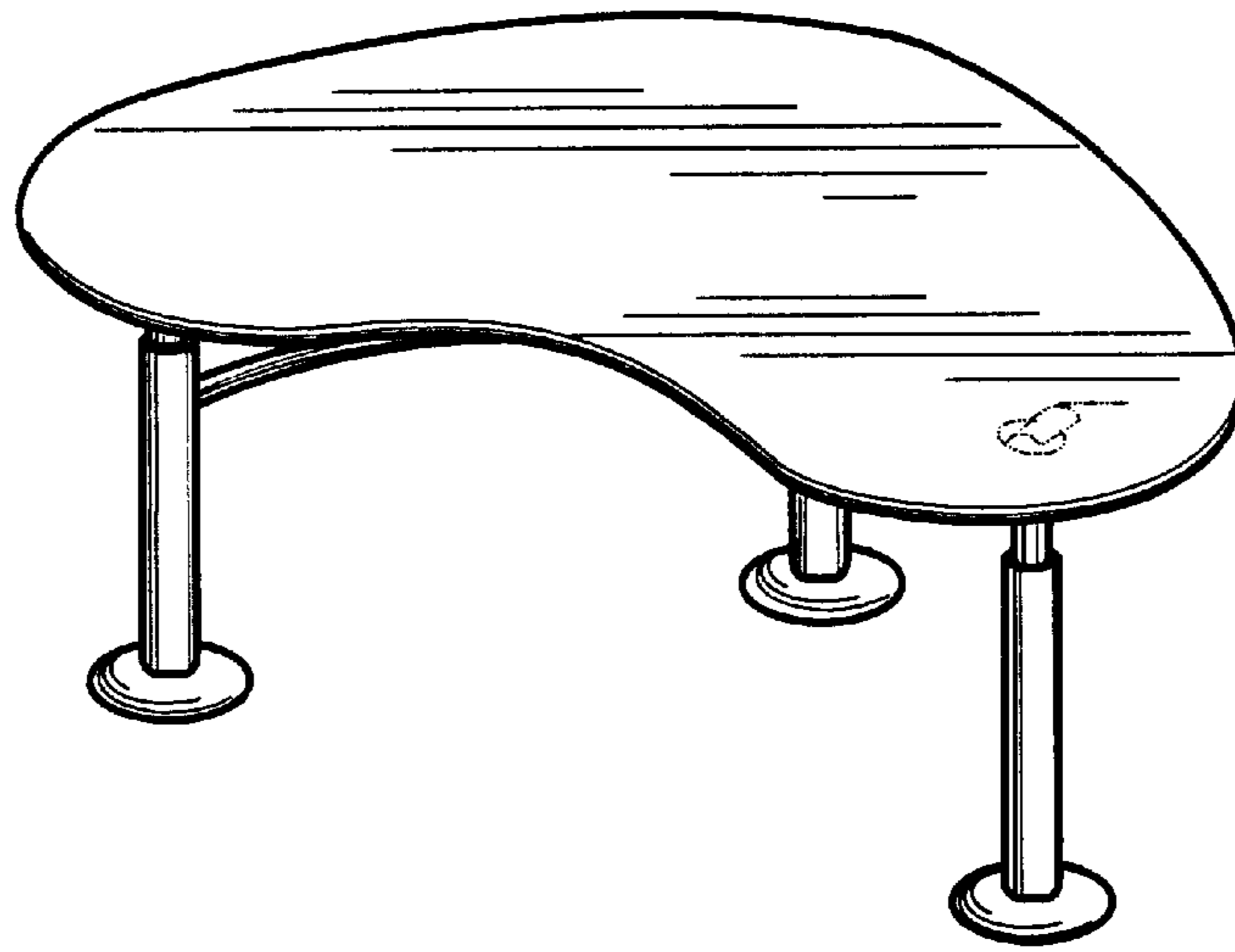
FIG. 7 is a rear view of a novel desk; and,

FIG. 8 is a front view of a novel desk.

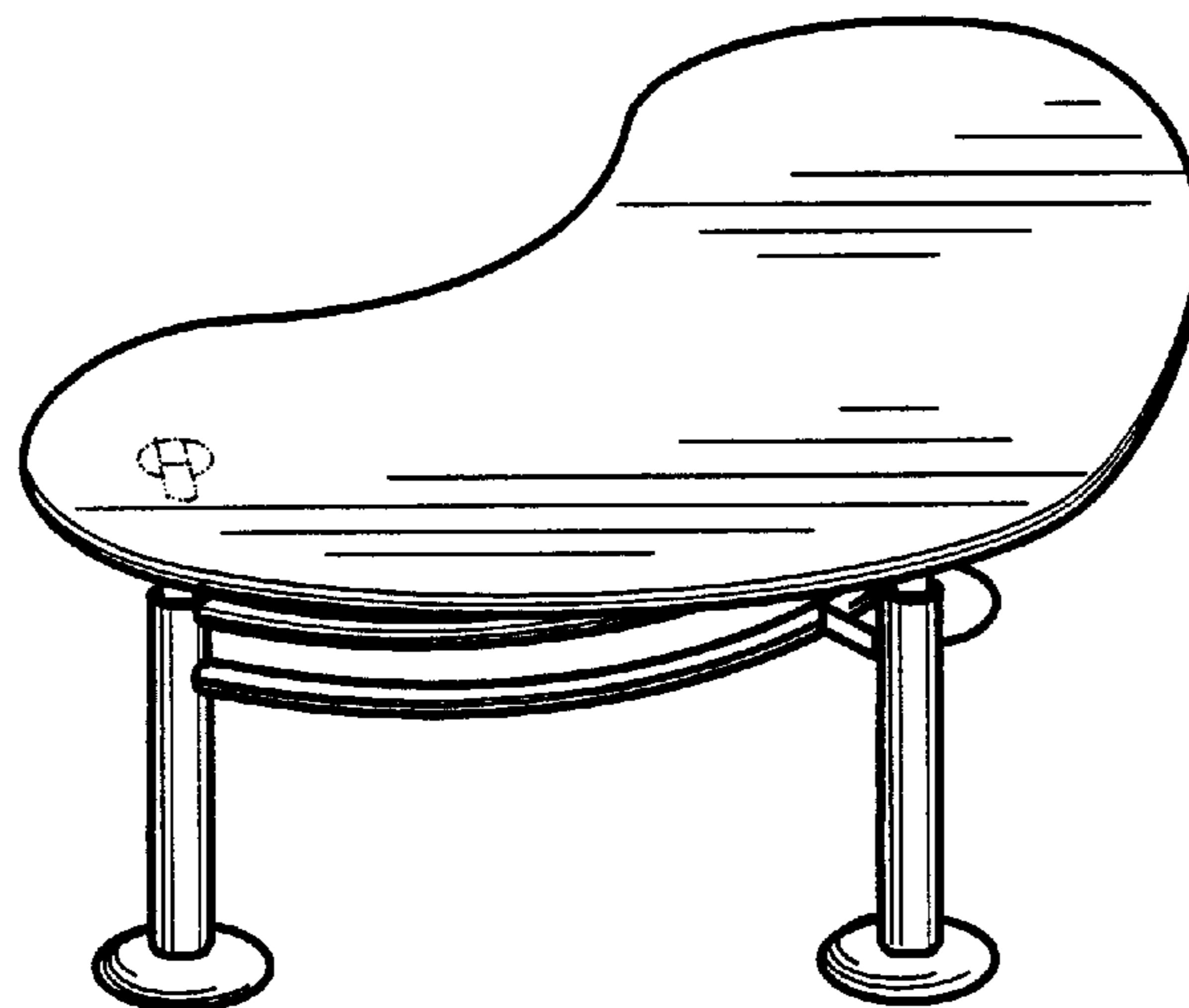
The broken lines are for environmental purposes only and form no part of the claimed design.

**1 Claim, 3 Drawing Sheets**

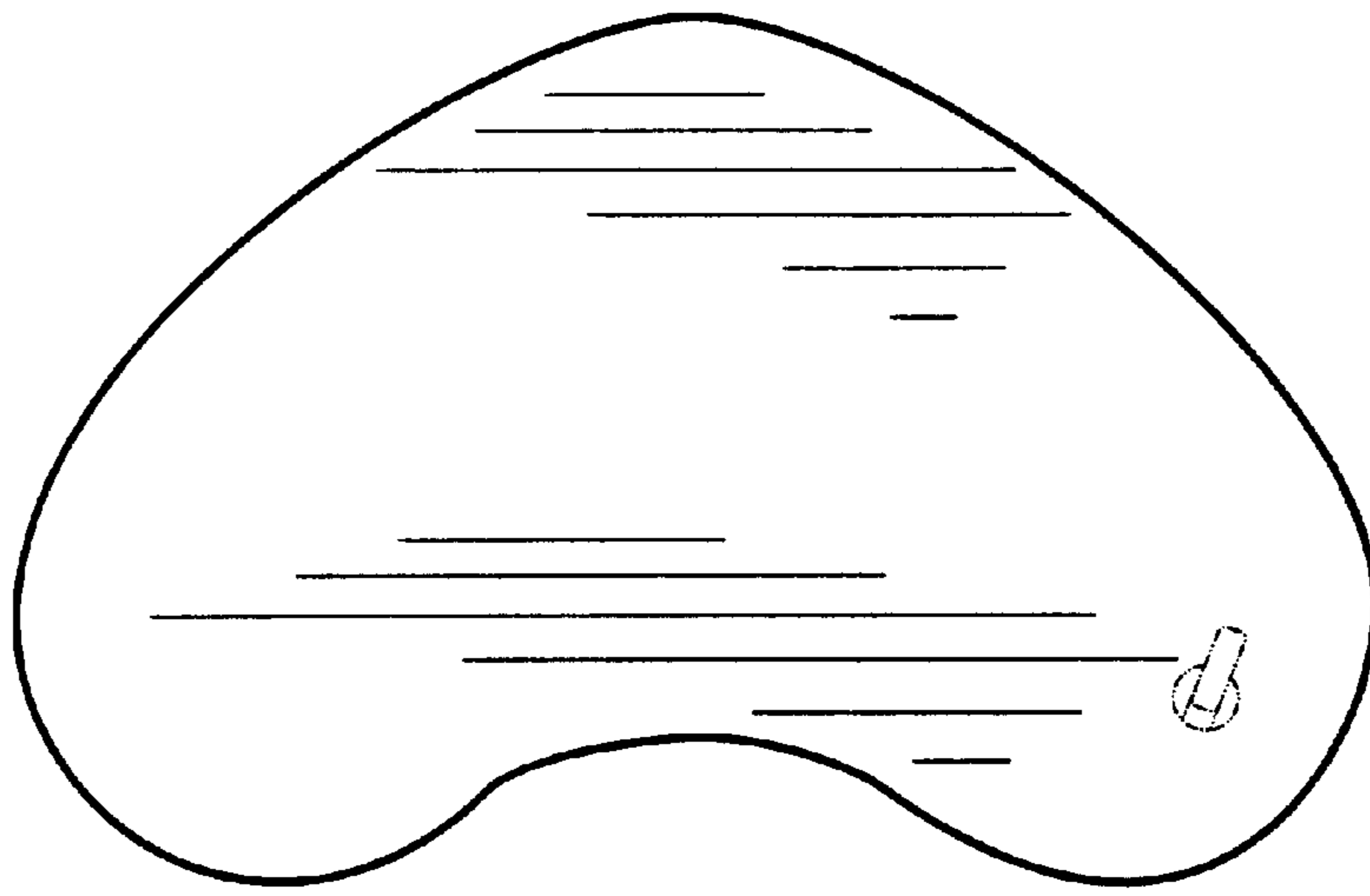




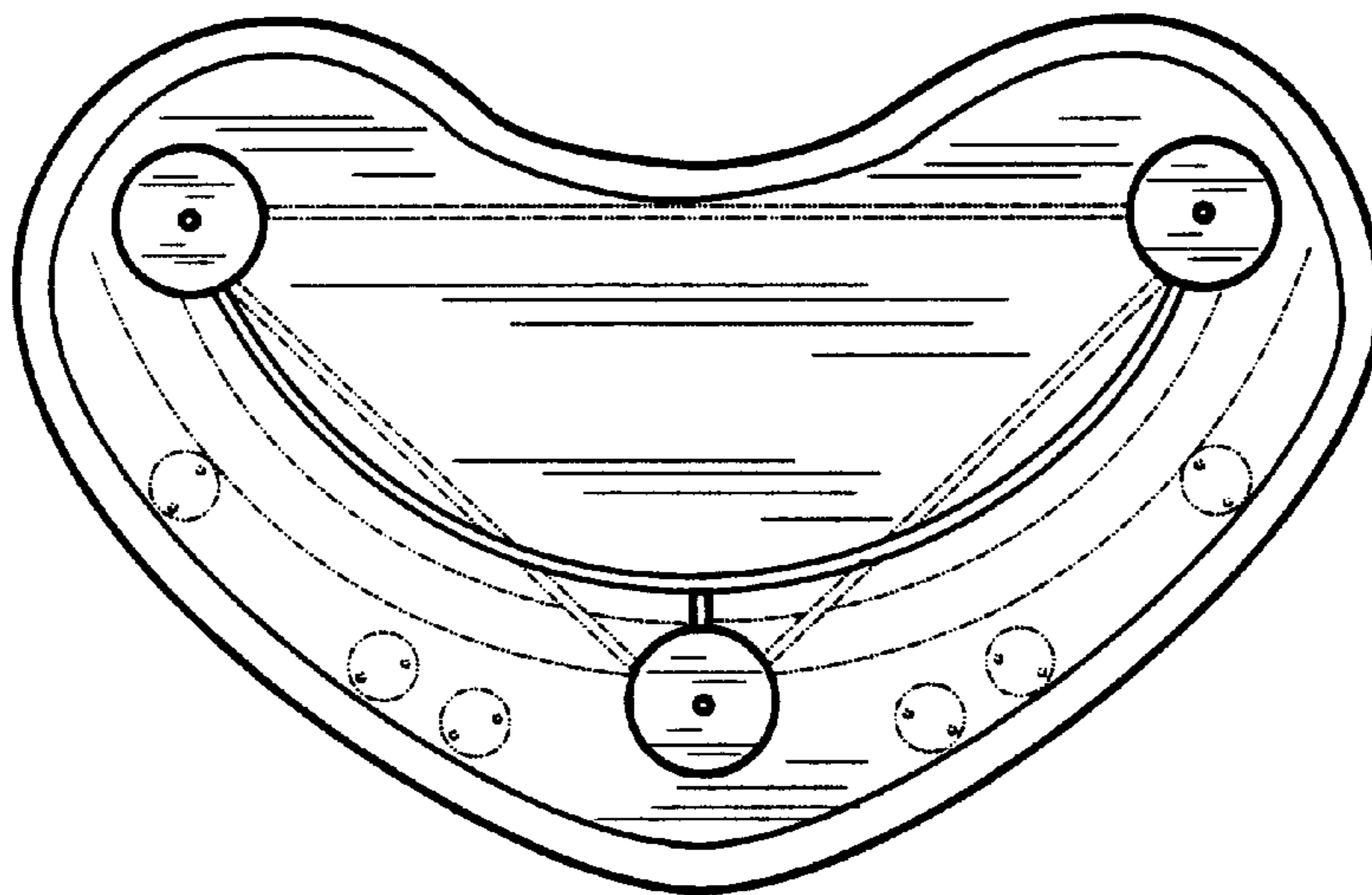
**FIGURE 1**



**FIGURE 2**



**FIGURE 3**



**FIGURE 4**

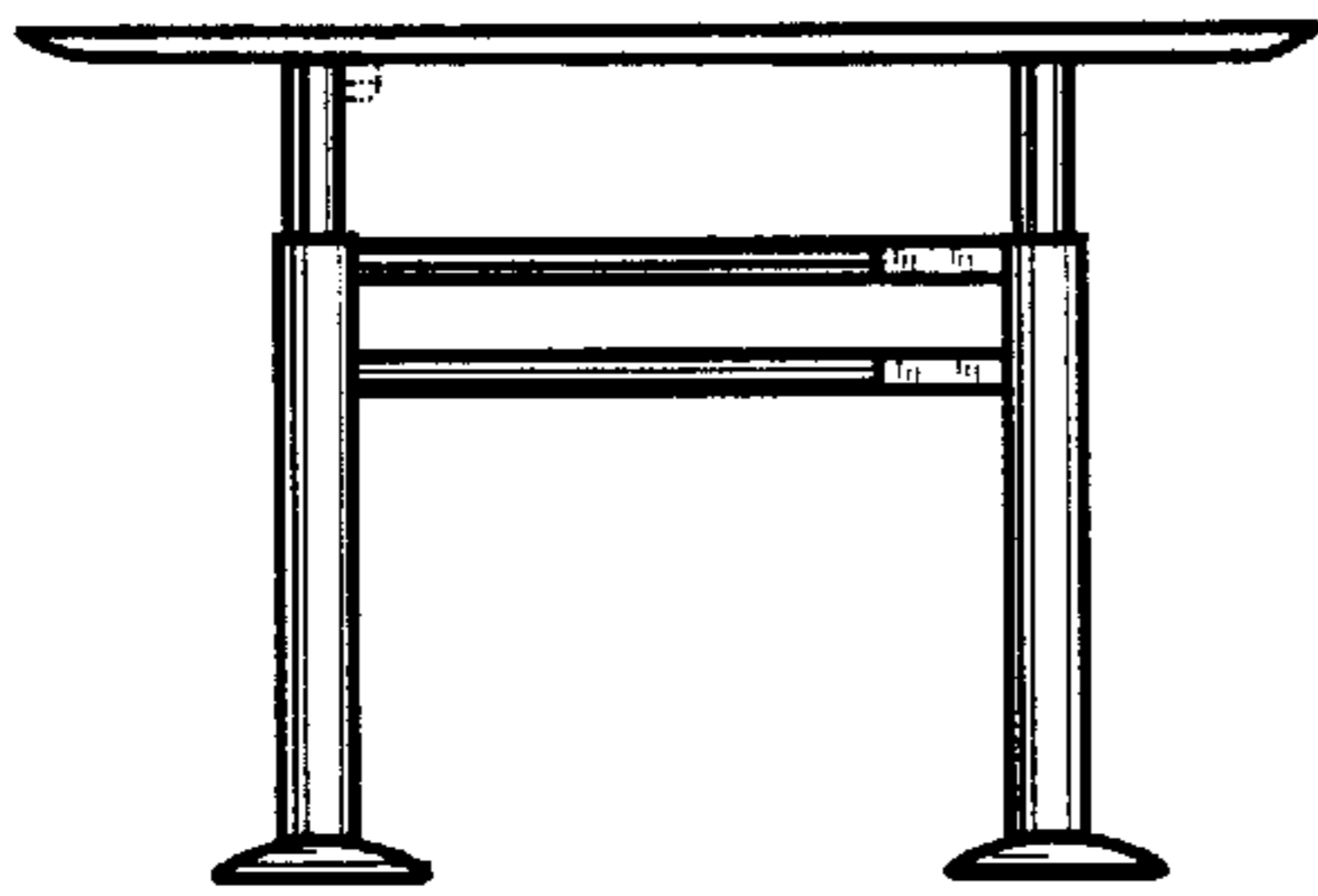


FIGURE 5

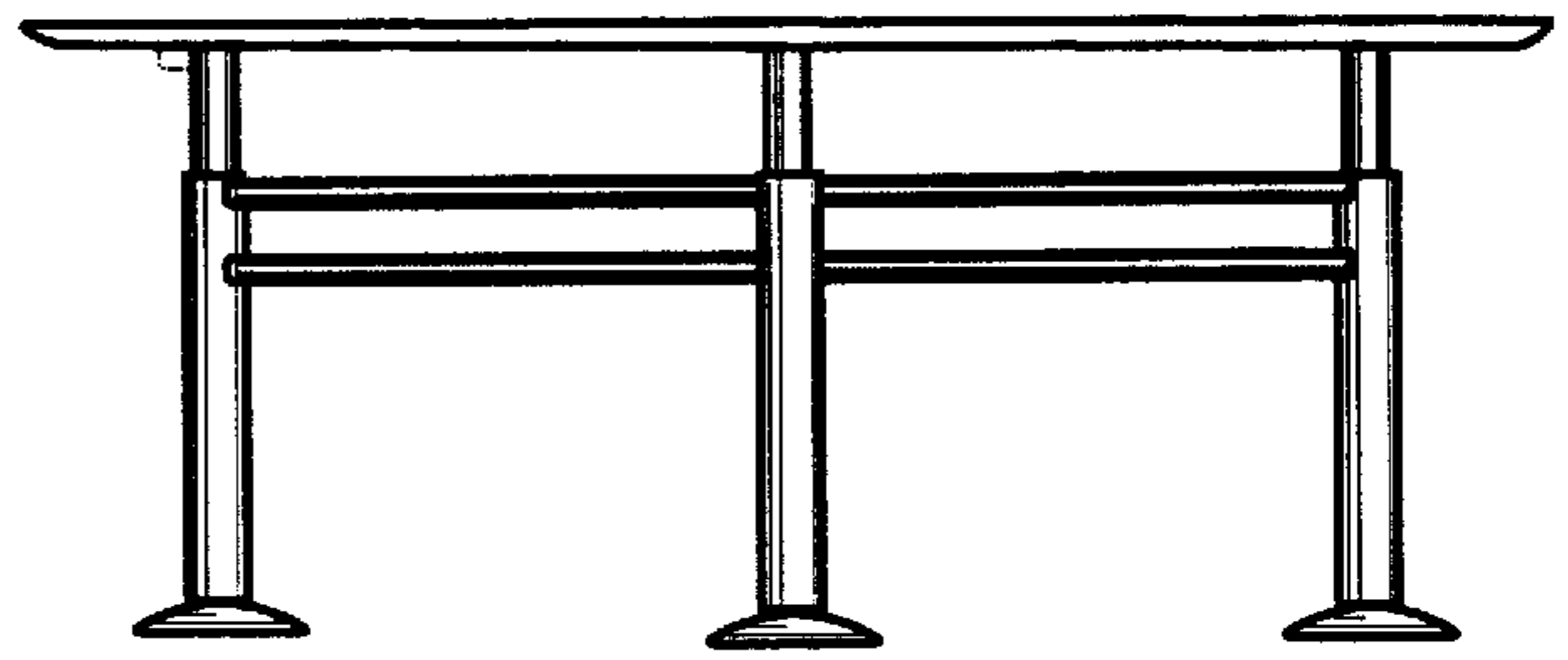


FIGURE 6

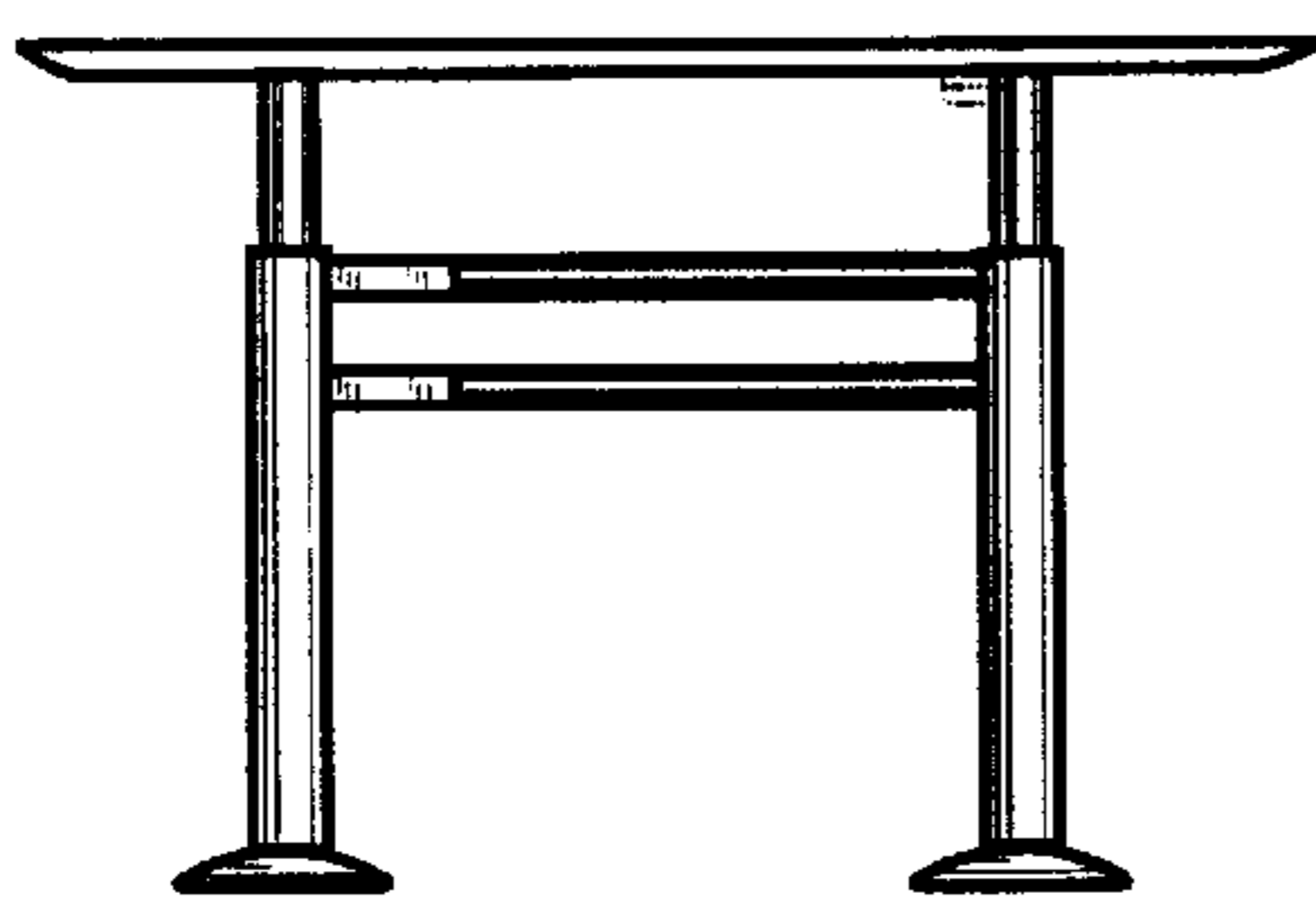


FIGURE 7

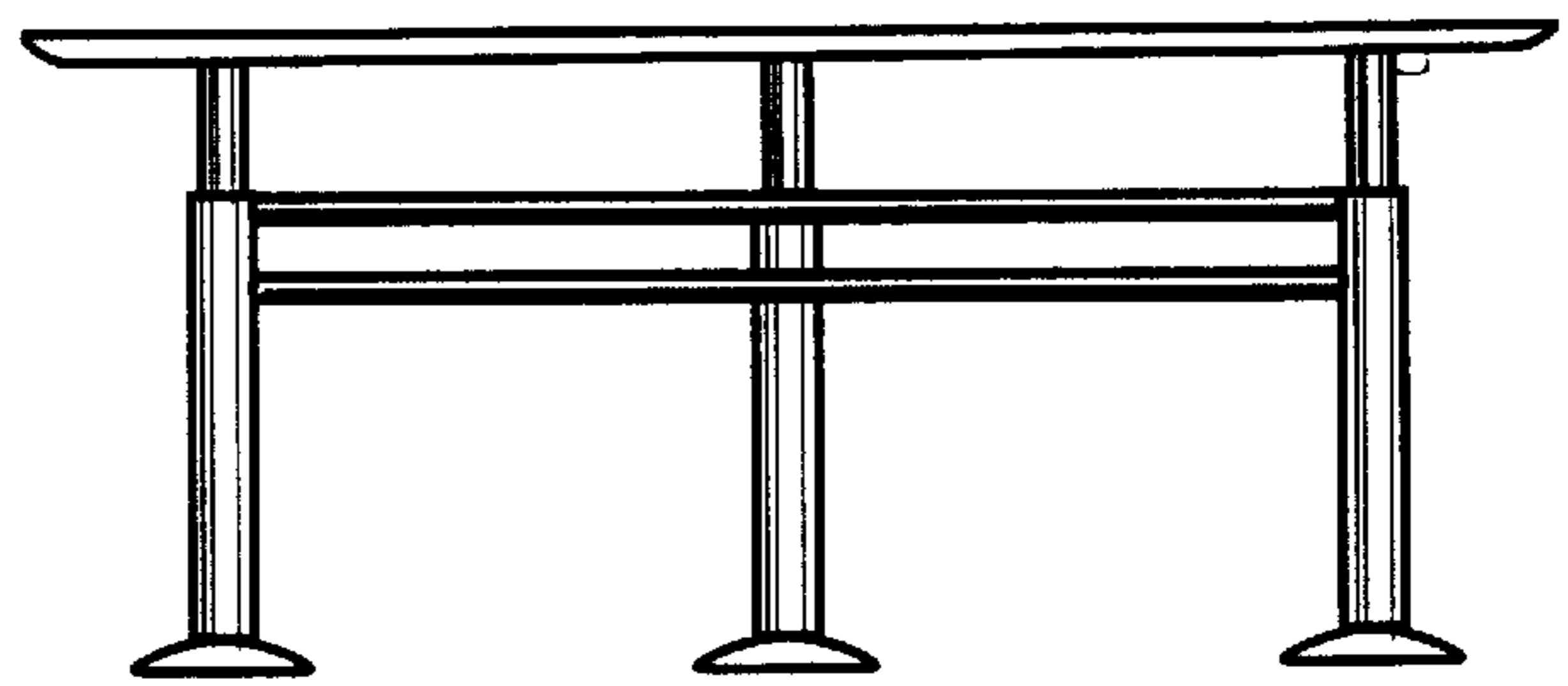


FIGURE 8