



US00D442396S

(12) **United States Design Patent**  
**Criado Mellado**

(10) **Patent No.:** **US D442,396 S**

(45) **Date of Patent:** **\*\* May 22, 2001**

(54) **FOOD DISPLAY UNIT**

(76) Inventor: **Antonio Criado Mellado**, Parque Tecnológico de Andalucía - Severo Ochoa, 43, 29590 Campanillas (Málaga) (ES)

(\*\*) Term: **14 Years**

(21) Appl. No.: **29/123,624**

(22) Filed: **May 18, 2000**

(30) **Foreign Application Priority Data**

Apr. 19, 2000 (ES) ..... 148243

(51) **LOC (7) Cl.** ..... **06-05**

(52) **U.S. Cl.** ..... **D6/481**

(58) **Field of Search** ..... D6/480-489, 397, D6/457; 312/140.1, 116, 117, 126, 137, 284, 286

(56) **References Cited**

**U.S. PATENT DOCUMENTS**

D. 201,558 \* 7/1965 Reyes ..... D6/483

D. 282,612 \* 2/1986 Moore, Jr. .... D6/481  
D. 302,221 \* 7/1989 Suttles et al. .... D6/481  
D. 383,016 \* 9/1997 McKee ..... D6/481  
3,162,495 \* 12/1964 Swift ..... 312/140.1  
4,572,598 \* 2/1986 Moore, Jr. .... 312/284

\* cited by examiner

*Primary Examiner*—Janice E. Seeger

(74) *Attorney, Agent, or Firm*—Klauber & Jackson

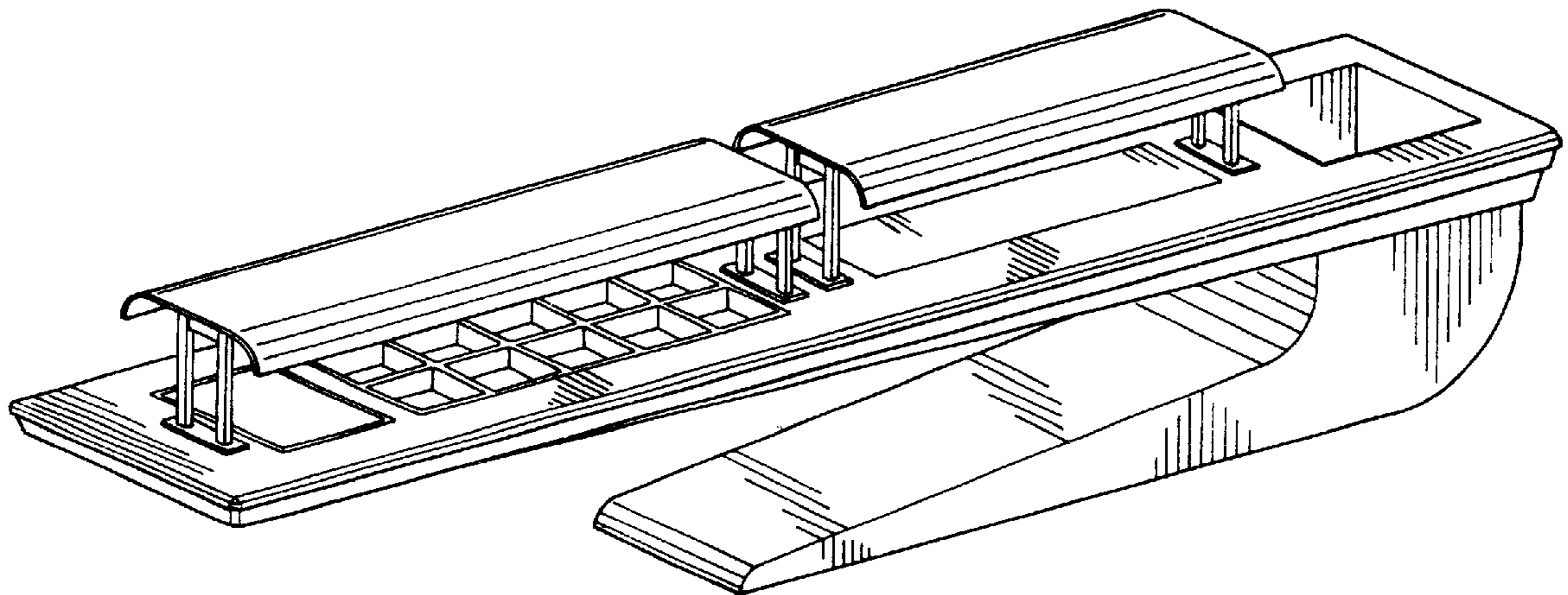
(57) **CLAIM**

The ornamental design for a food display unit, as shown.

**DESCRIPTION**

FIG. 1 is a left-handed perspective elevational view showing the food display unit of my new design;  
FIG. 2 is a top-plan view thereof;  
FIG. 3 is a left-side view thereof;  
FIG. 4 is a bottom plan view thereof;  
FIG. 5 is a right-side view thereof;  
FIG. 6 is a rear view thereof; and,  
FIG. 7 is a front view thereof.

**1 Claim, 3 Drawing Sheets**



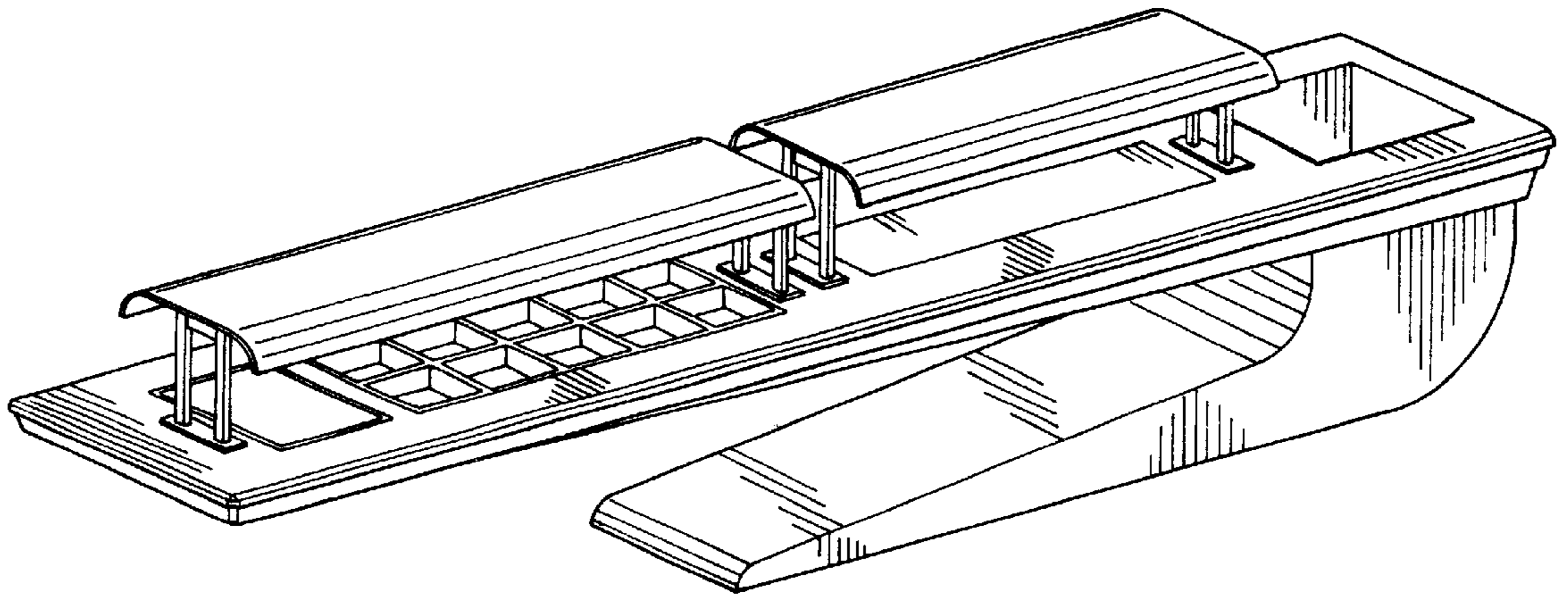


FIG. 1

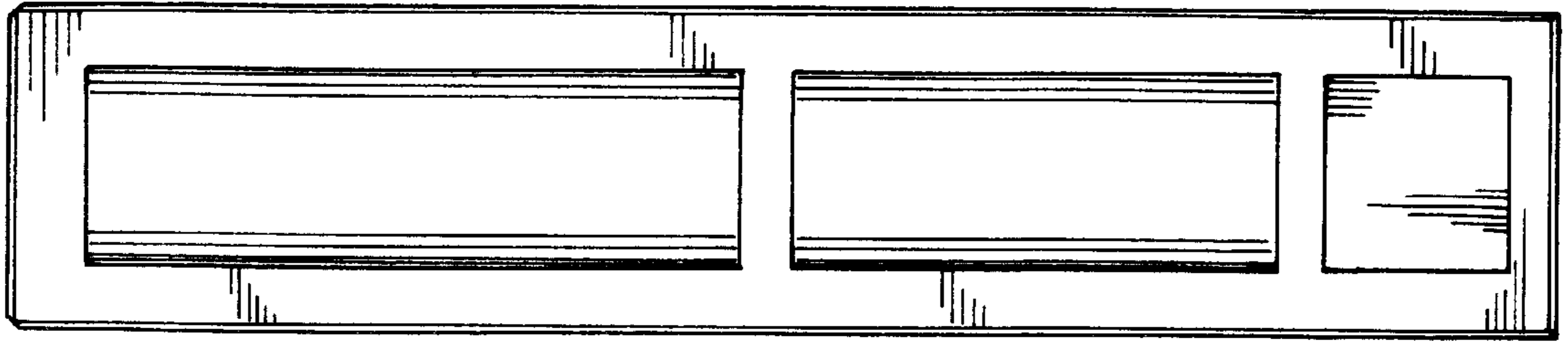


FIG. 2

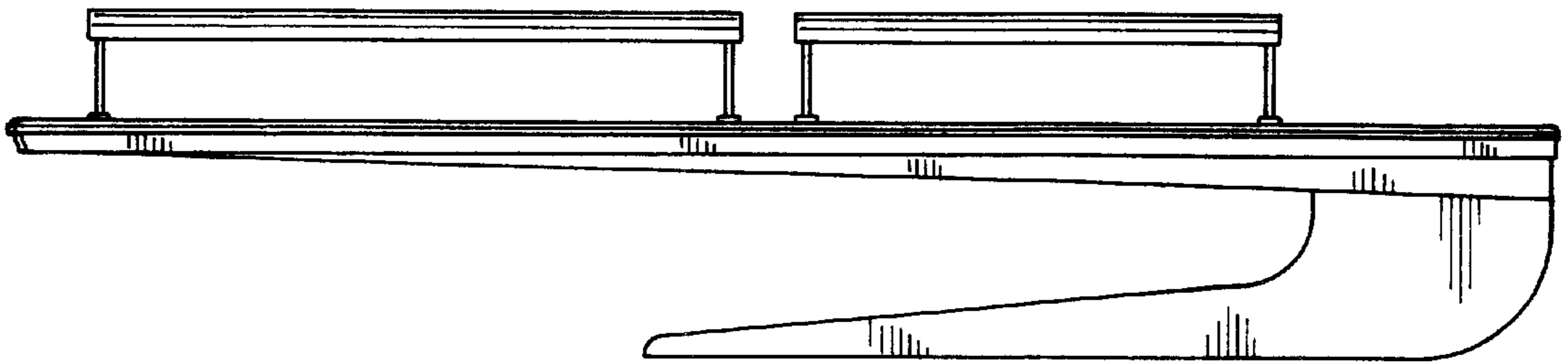


FIG. 3

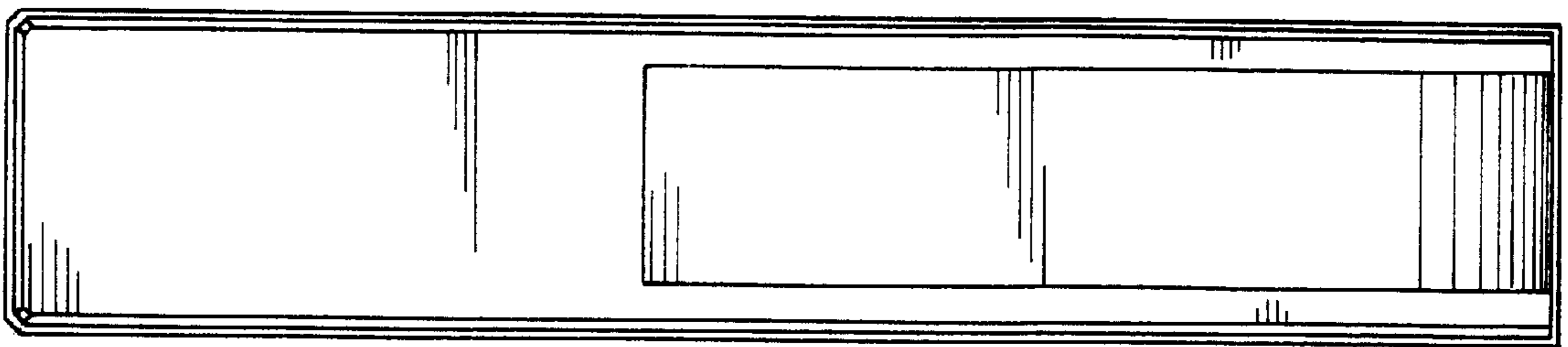


FIG. 4

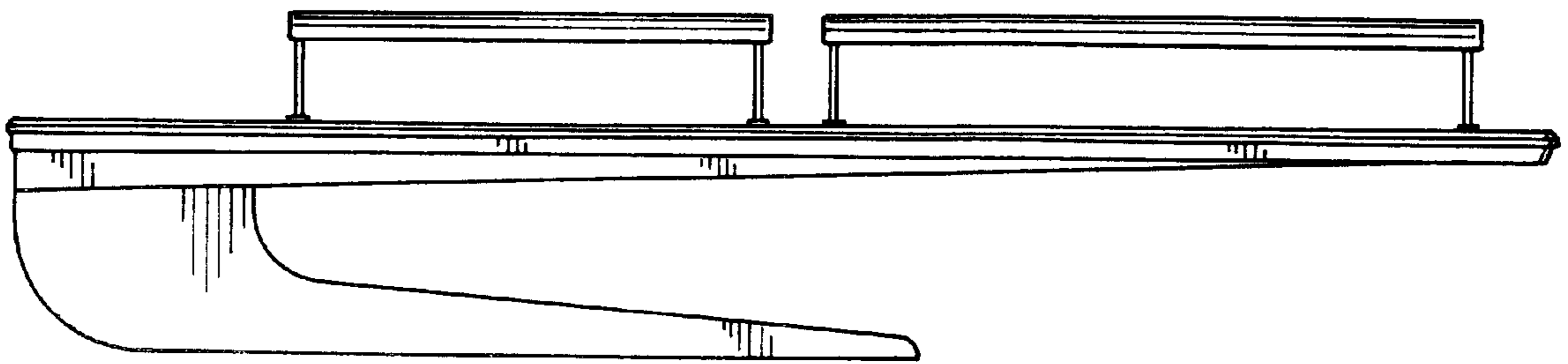


FIG. 5

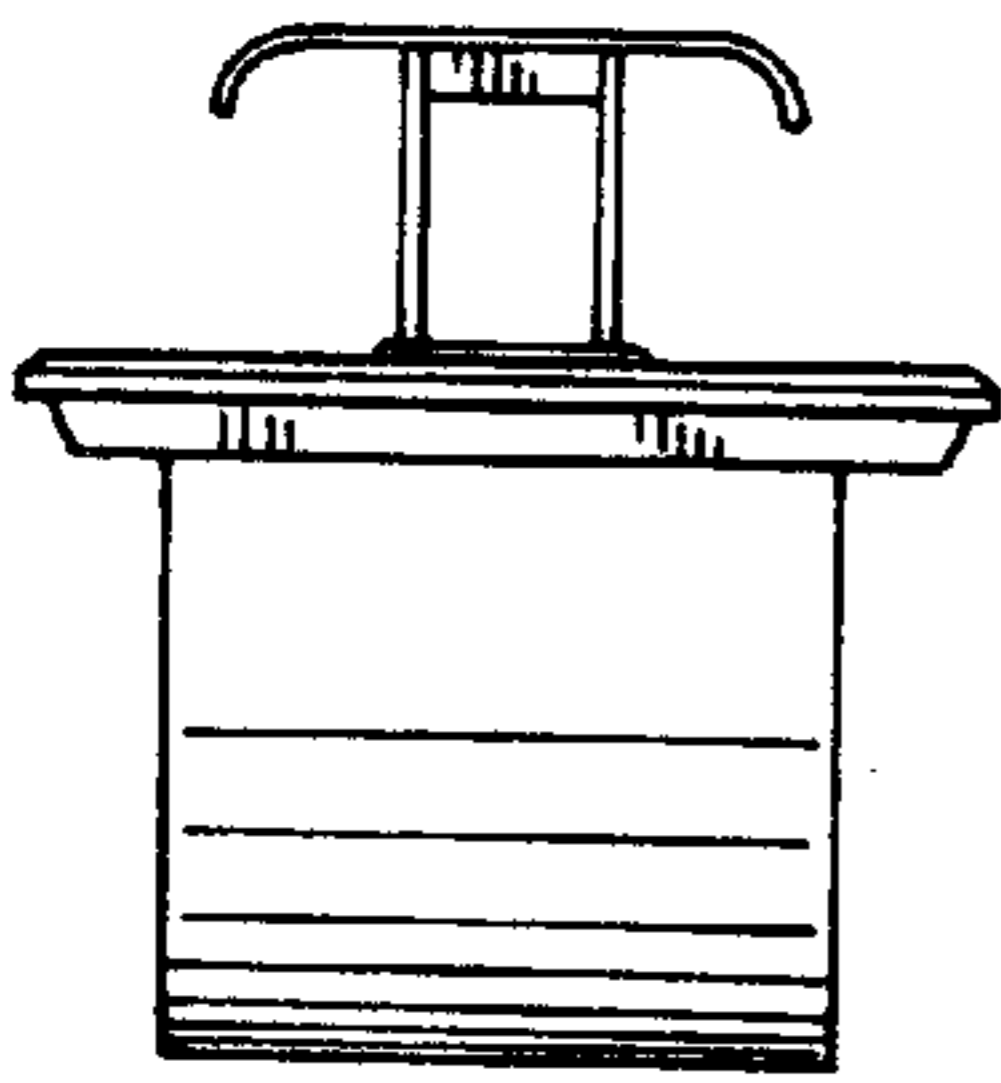


FIG. 6

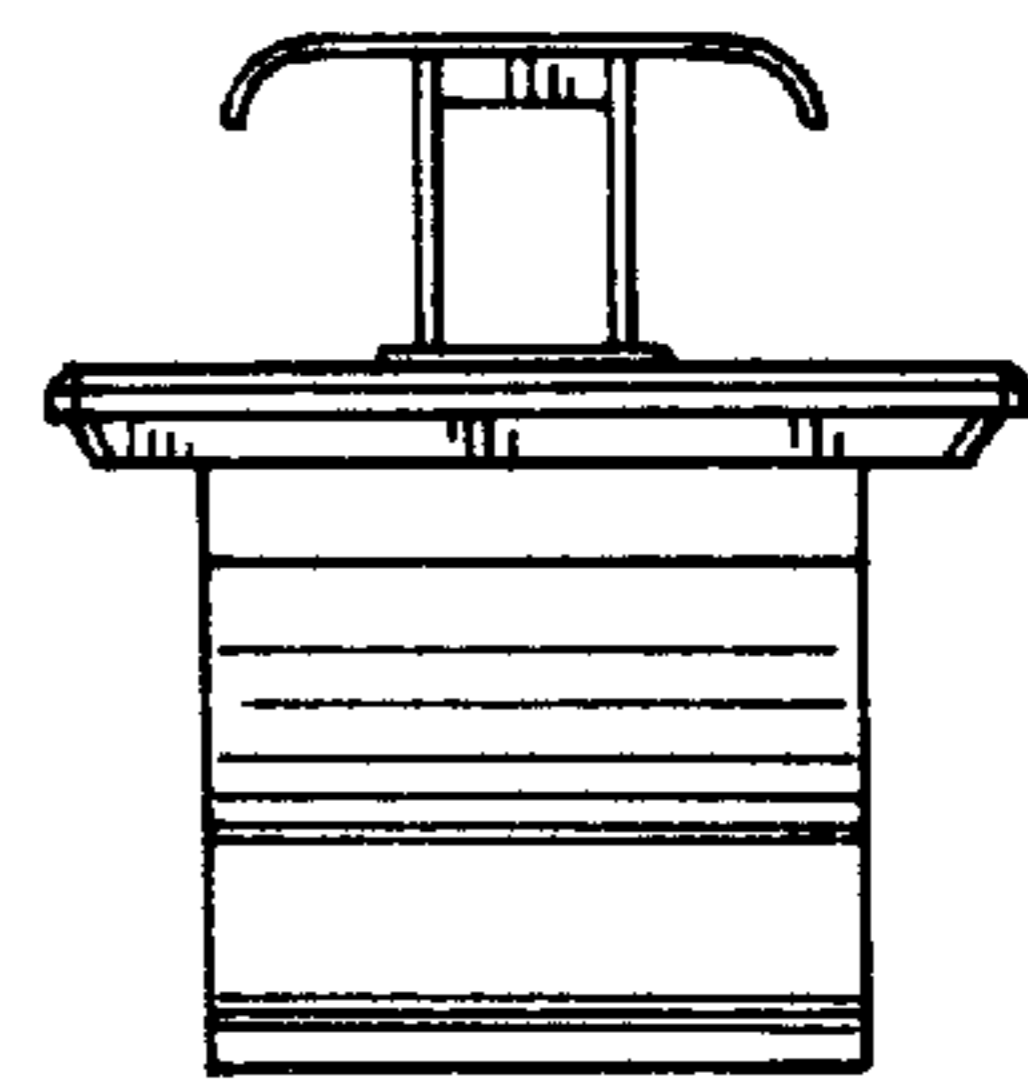


FIG. 7