



US00D442393S

(12) **United States Design Patent**
Shei et al.

(10) **Patent No.:** **US D442,393 S**

(45) **Date of Patent:** **** May 22, 2001**

(54) **FOOD MERCHANDISER**

(75) Inventors: **Steven M. Shei**, Fort Wayne, IN (US);
Clement J. Luebke, St. Louis, MO (US)

(73) Assignee: **Duke Manufacturing Co.**, St. Louis, MO (US)

(**) Term: **14 Years**

(21) Appl. No.: **29/120,090**

(22) Filed: **Feb. 19, 2000**

(51) **LOC (7) Cl.** **06-06**

(52) **U.S. Cl.** **D6/472**

(58) **Field of Search** D6/470, 471, 472,
D6/449, 396, 314, 420, 432, 436; 62/258;
312/114, 119, 138.1, 139, 139.1; 206/769-773,
775-779

(56) **References Cited**

U.S. PATENT DOCUMENTS

201,756 * 3/1878 Dealy 312/114

D. 209,722 * 12/1967 Mangini D6/472
D. 276,578 * 12/1984 Kwiecinski D6/472
D. 312,363 * 11/1990 Faggioli D6/472
D. 321,800 * 11/1991 Blum D6/396
1,984,138 * 12/1934 Kennedy 312/18
2,631,912 * 3/1953 Pryor, Jr. 312/139.1

* cited by examiner

Primary Examiner—Prabhakar Deshmukh

(74) *Attorney, Agent, or Firm*—Polster, Lieder, Woodruff & Lucchesi, L.C.

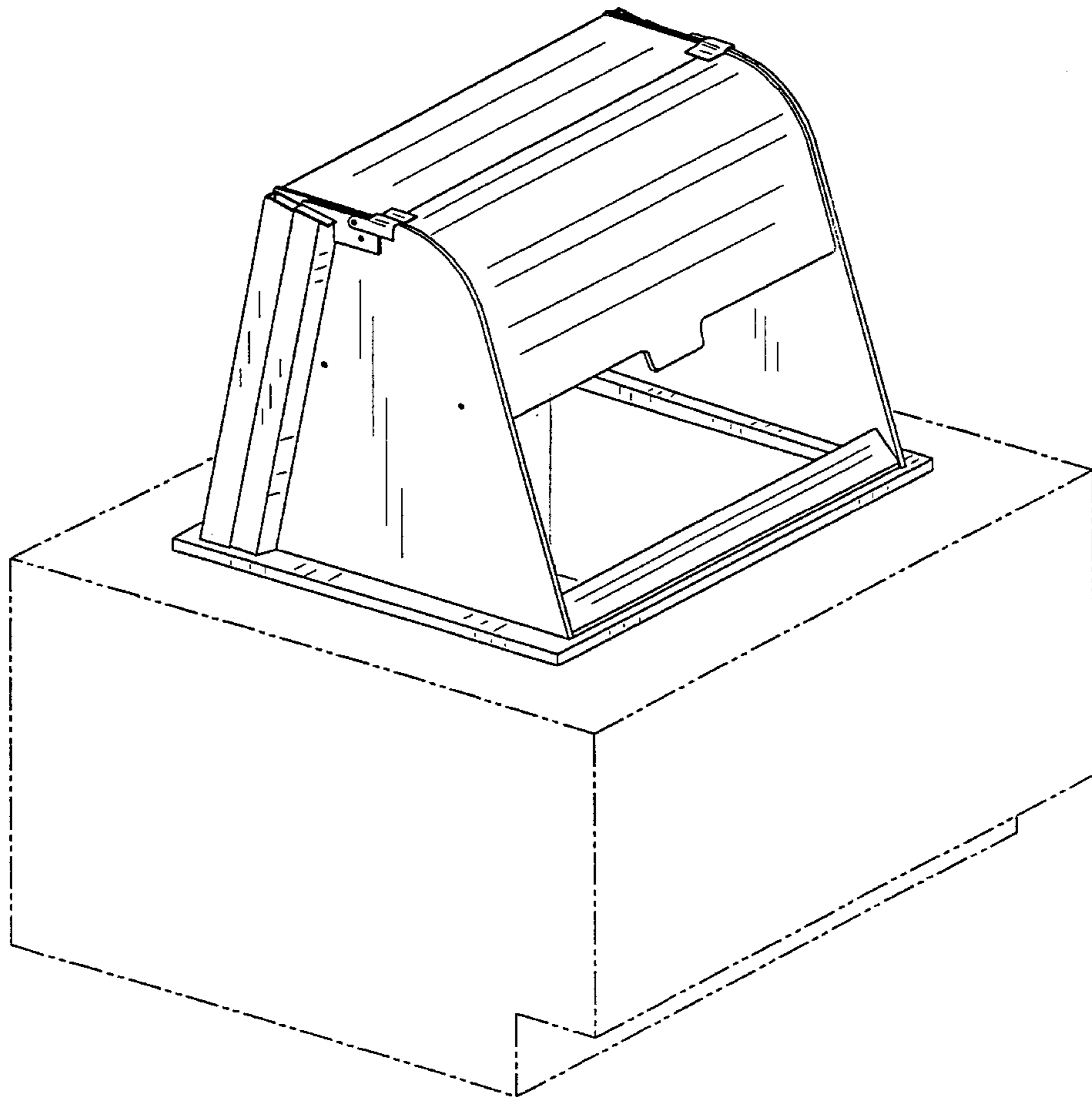
(57) **CLAIM**

The ornamental design for a food merchandiser, substantially as shown and described.

DESCRIPTION

FIG. 1 is a top, front and left side perspective view of a food merchandiser showing my new design; and, FIG. 2 is a top, rear, and right side perspective view thereof. The structure illustrated in broken lines is not part of the design sought to be patented.

1 Claim, 2 Drawing Sheets



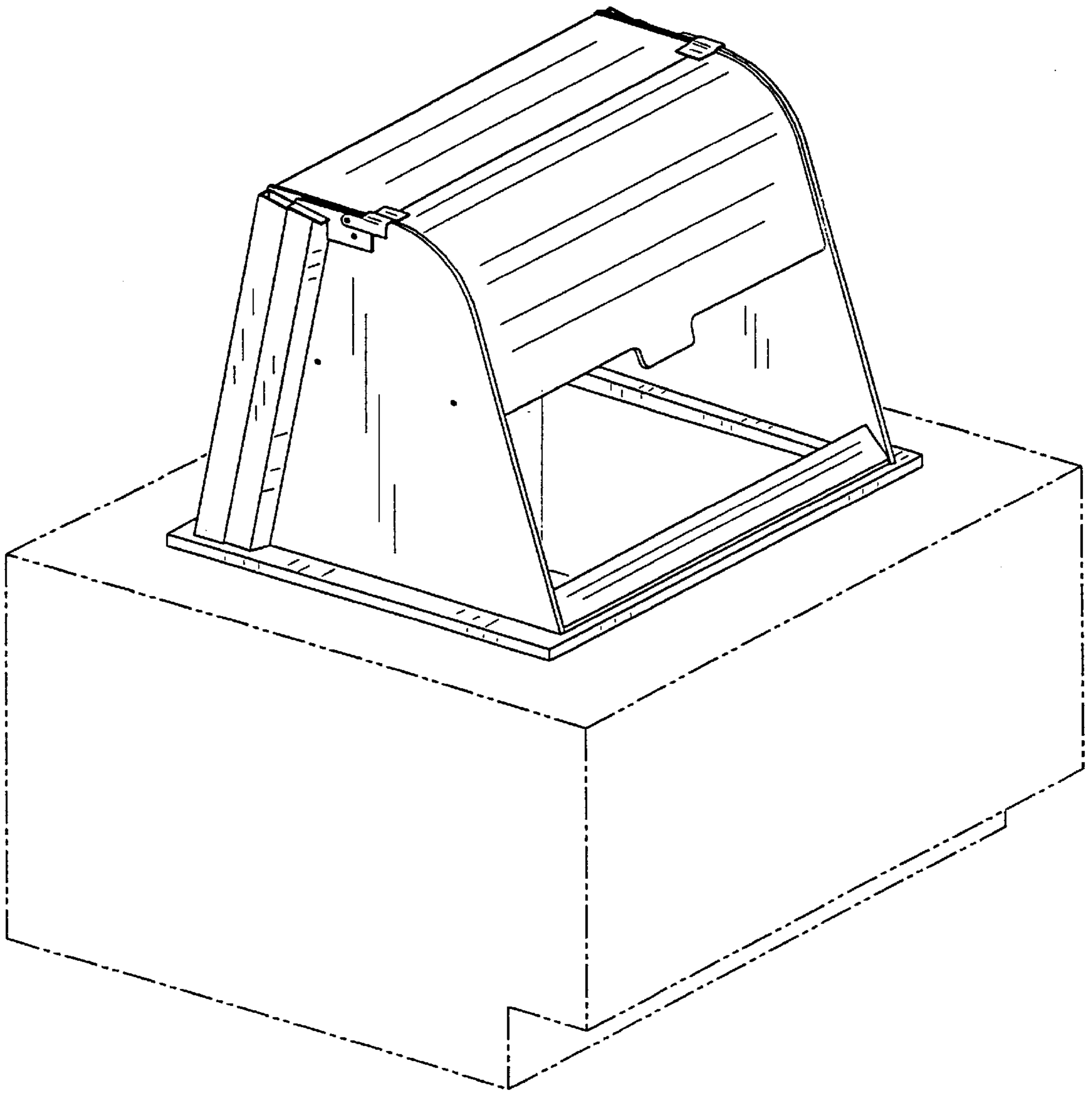


FIG. 1

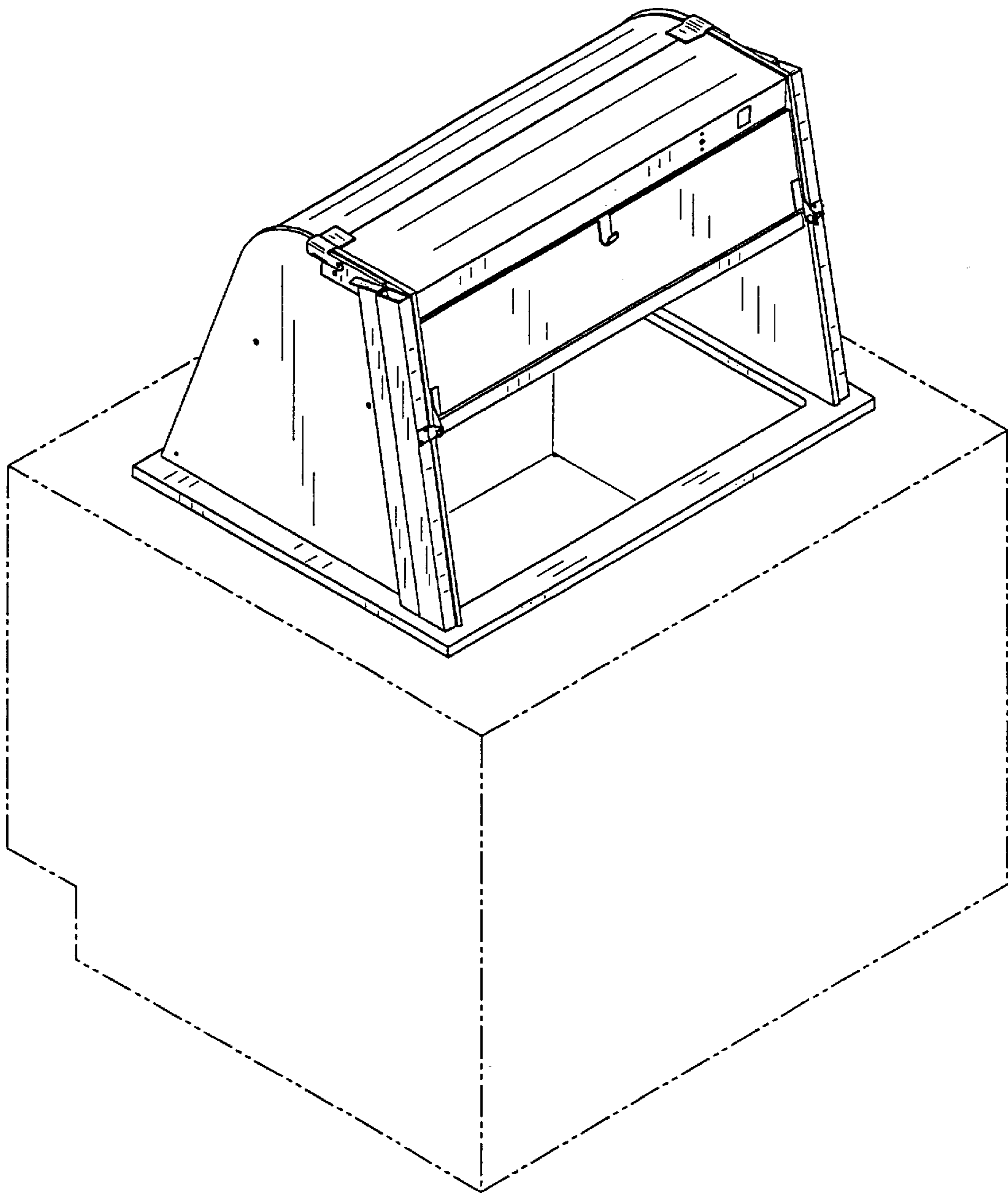


FIG. 2