



US00D442392S

(12) **United States Design Patent**
Follman et al.

(10) **Patent No.:** **US D442,392 S**
(45) **Date of Patent:** **** May 22, 2001**

(54) **MODULAR RACK**
(75) Inventors: **Mark Follman**, Glen Rock; **Paul Thom**, Montclair; **David Landsberger**, Caldwell, all of NJ (US)

(73) Assignee: **Bel-Art Products, Inc.**, Pequannock, NJ (US)

(**) Term: **14 Years**

(21) Appl. No.: **29/116,112**

(22) Filed: **Dec. 28, 1999**

(51) **LOC (7) Cl.** **06-06**

(52) **U.S. Cl.** **D6/467; D6/629; D19/90; D19/86**

(58) **Field of Search** D6/407, 467, 629; D19/65, 75, 78, 86, 90, 91, 95, 99, 100; 211/10, 11, 13.1, 40, 41.11, 41.12-41.14, 50, 45, 126.13; 206/389, 425, 449, 555, 556

(56) **References Cited**

U.S. PATENT DOCUMENTS

D. 127,973	*	7/1941	Refogle	D6/407
D. 160,015	*	9/1950	Rauch et al.	D6/407
3,013,688	*	12/1961	Luning	211/40
4,653,649		3/1987	Holdredge, Jr.		
4,967,915		11/1990	Robson		

5,031,779		7/1991	Szenay et al.		
5,072,835		12/1991	Price, Jr. et al.		
5,370,242		12/1994	Huang		
5,788,088	*	8/1998	Kao	211/40
5,865,320		2/1999	Hamada		
5,931,315		8/1999	Lorentz et al.		
5,984,115	*	11/1999	Koestenblatt et al.	211/40
6,126,020	*	10/2000	Mok	211/40

OTHER PUBLICATIONS

Bel-Art Products, Catalog 198, p. 293-346.

* cited by examiner

Primary Examiner—Martie K. Holtje

(74) *Attorney, Agent, or Firm*—Lawrence G. Fridman

(57) **CLAIM**

The ornamental design for modular rack, as shown and described.

DESCRIPTION

FIG. 1 is a perspective view of the modular rack according to our new design;

FIG. 2 side elevational view thereof;

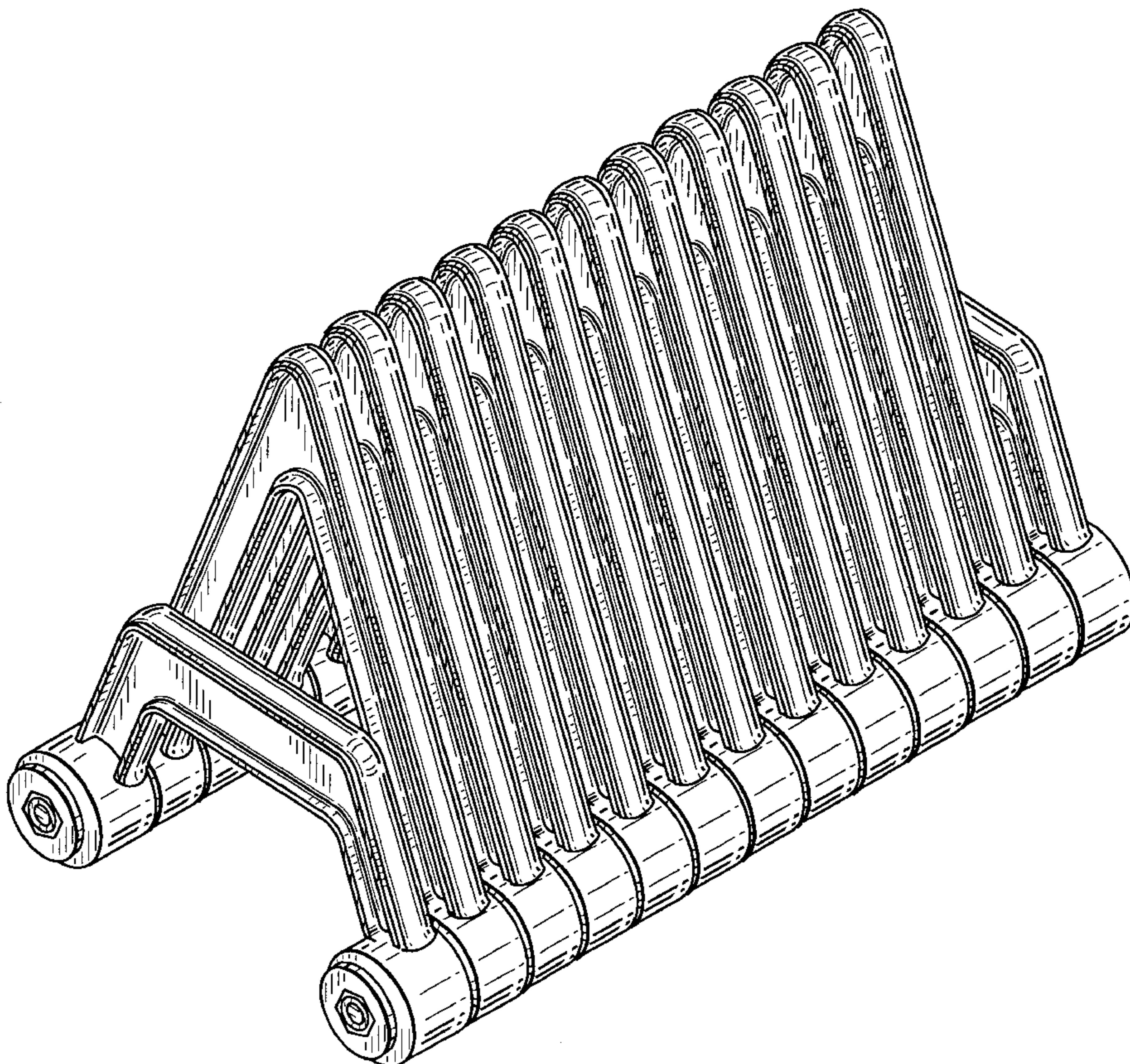
FIG. 3 is a front elevational view thereof;

FIG. 4 is a rear elevational view thereof;

FIG. 5 is a top plan view thereof; and,

FIG. 6 is a bottom plan view thereof.

1 Claim, 5 Drawing Sheets



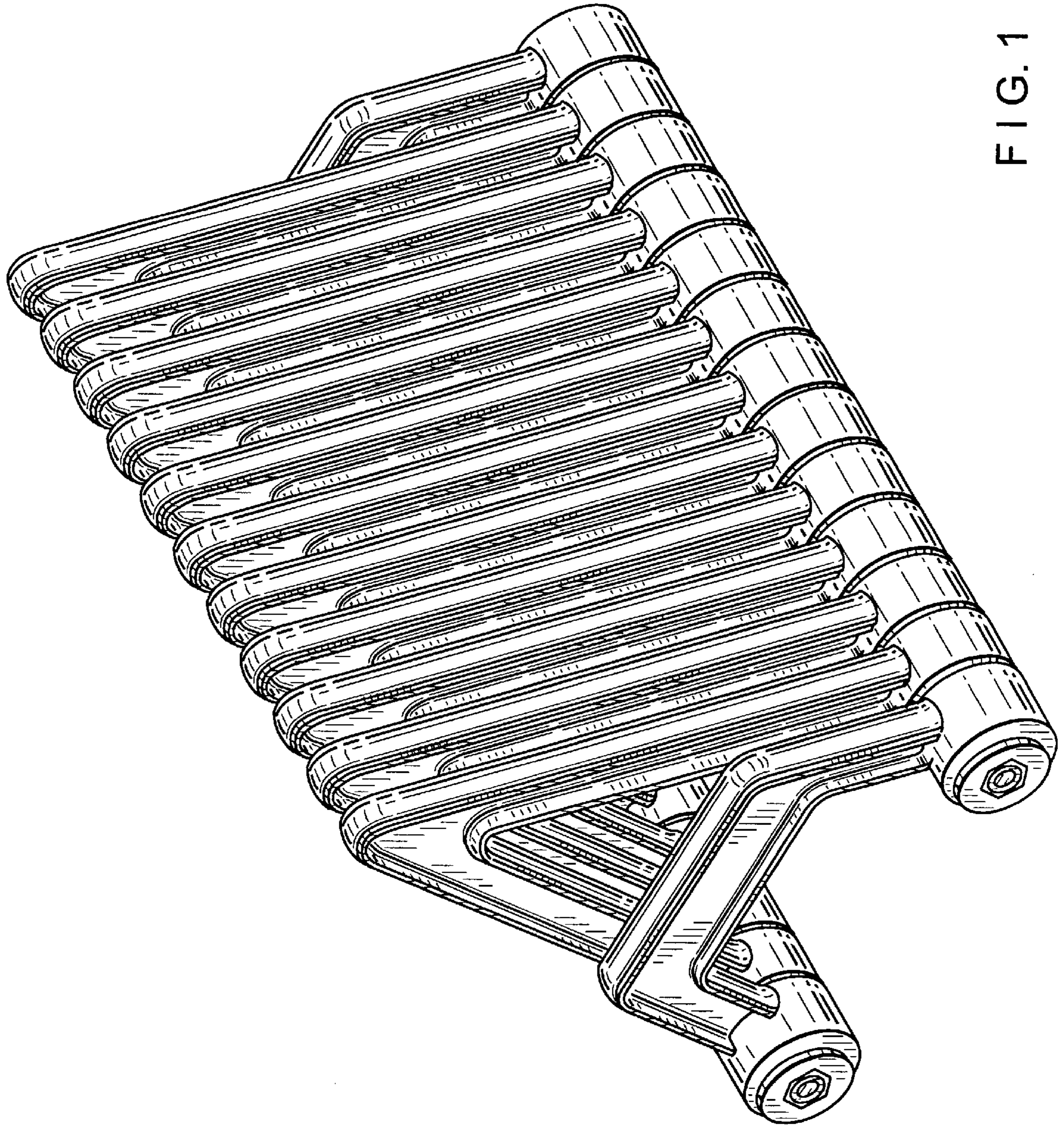


FIG. 1

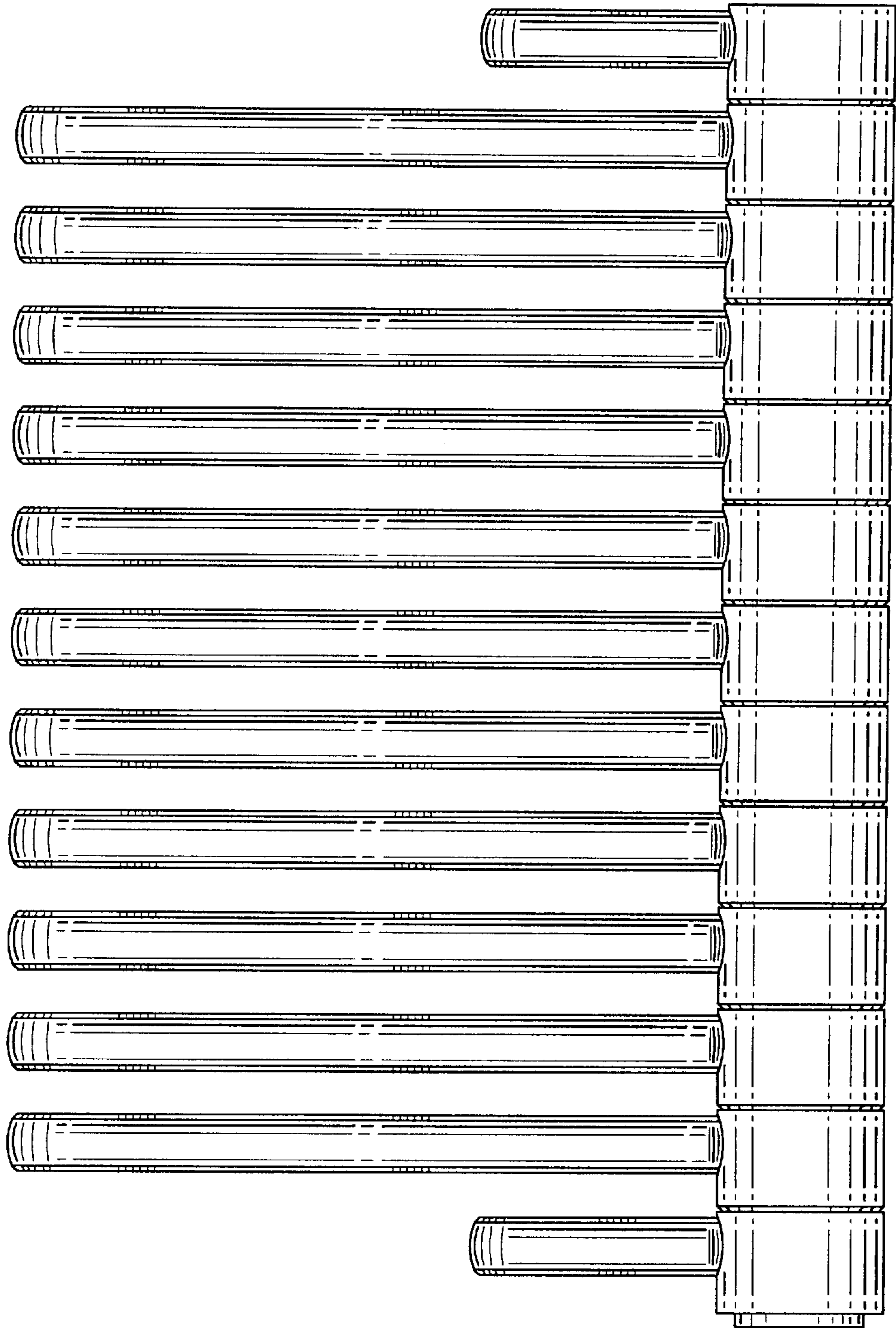


FIG. 2

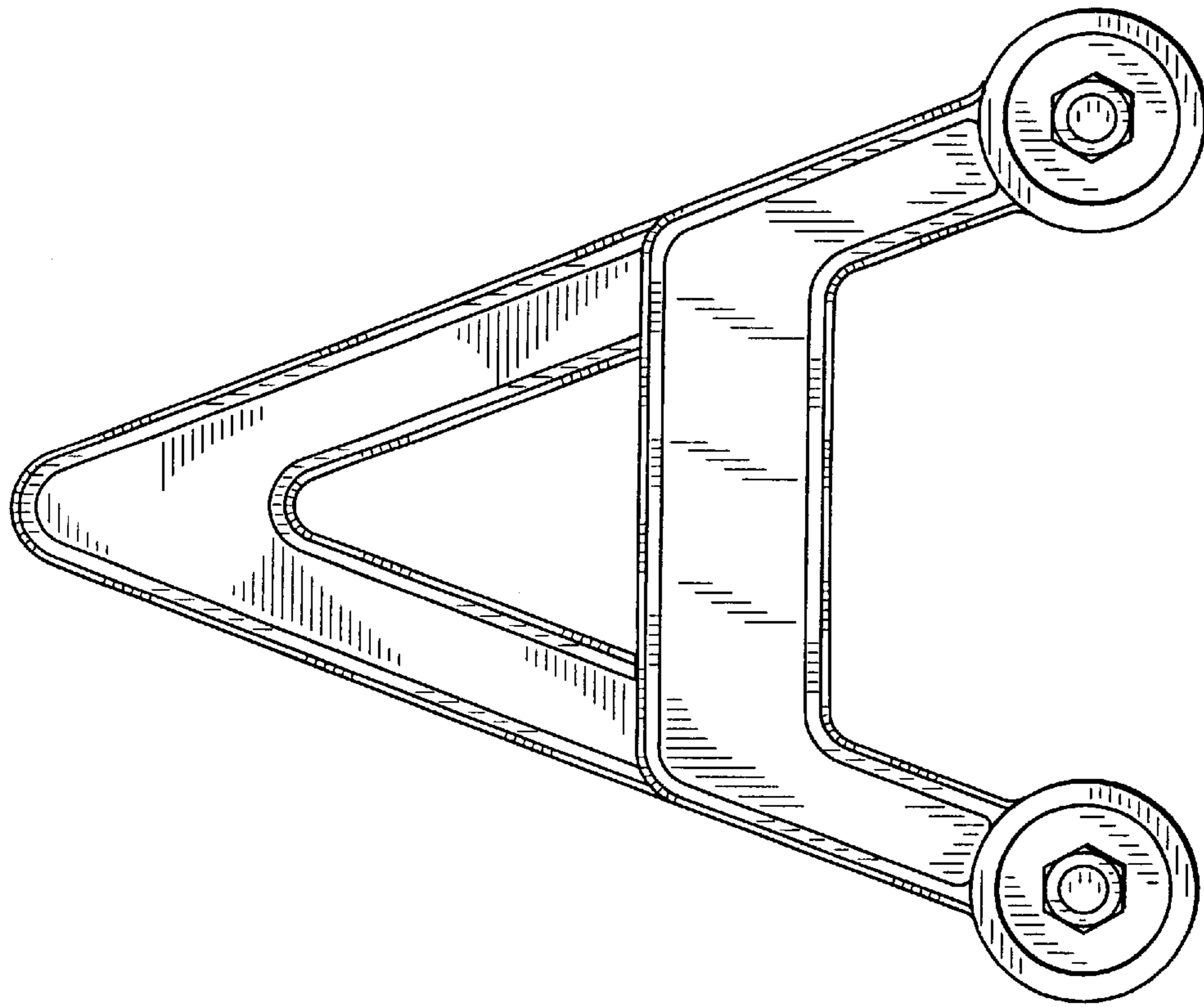


FIG. 4

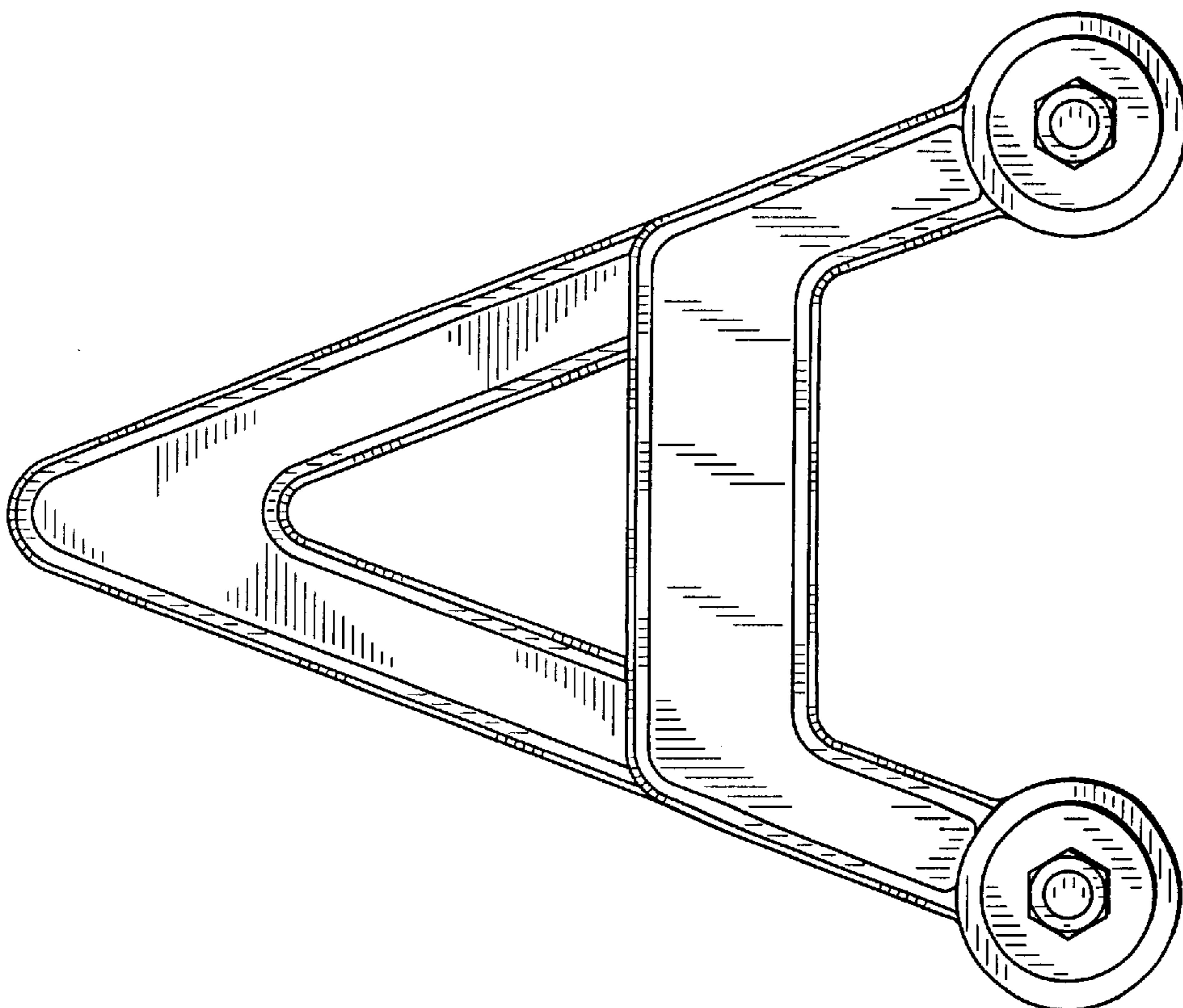


FIG. 3

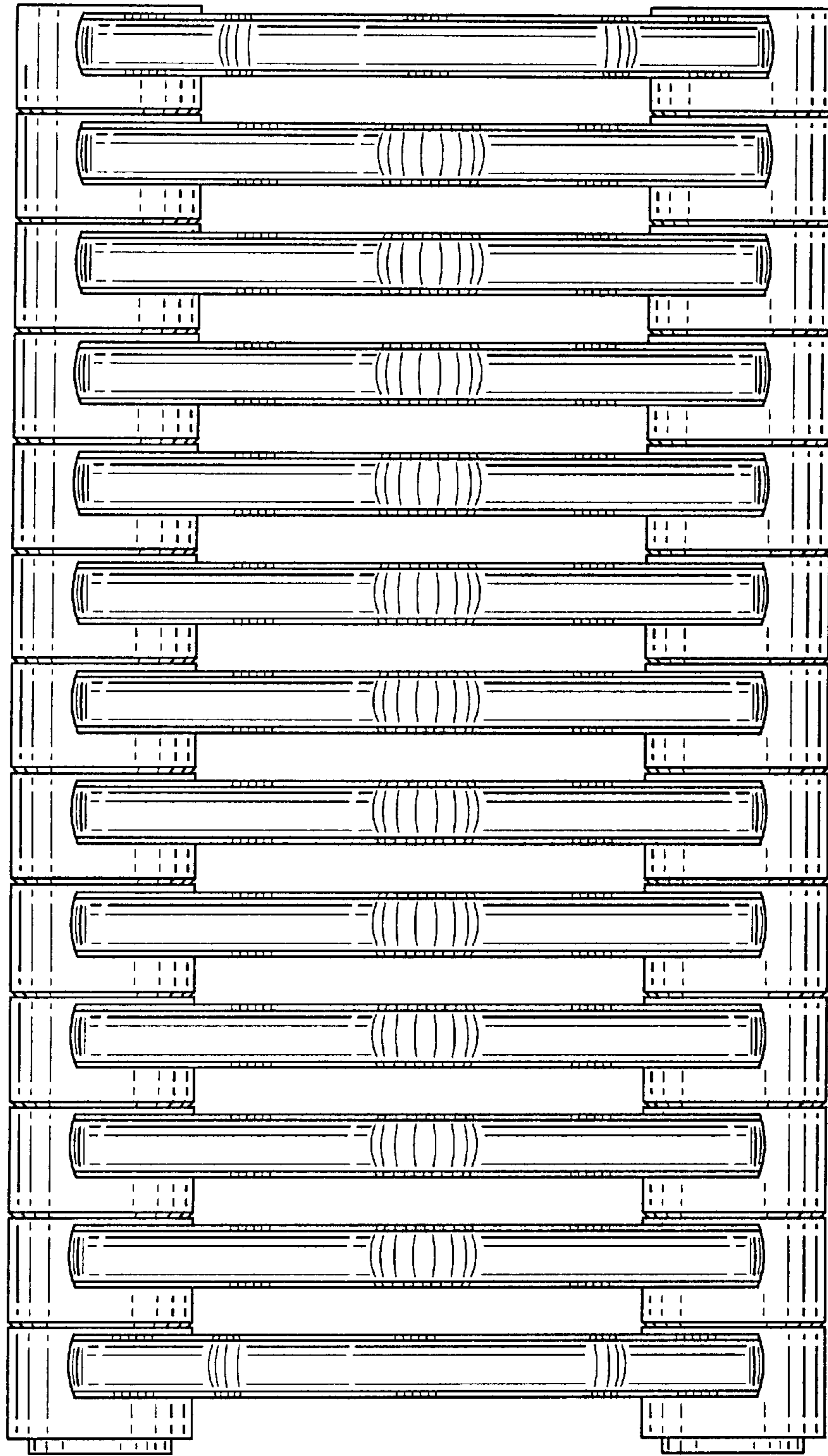


FIG. 5

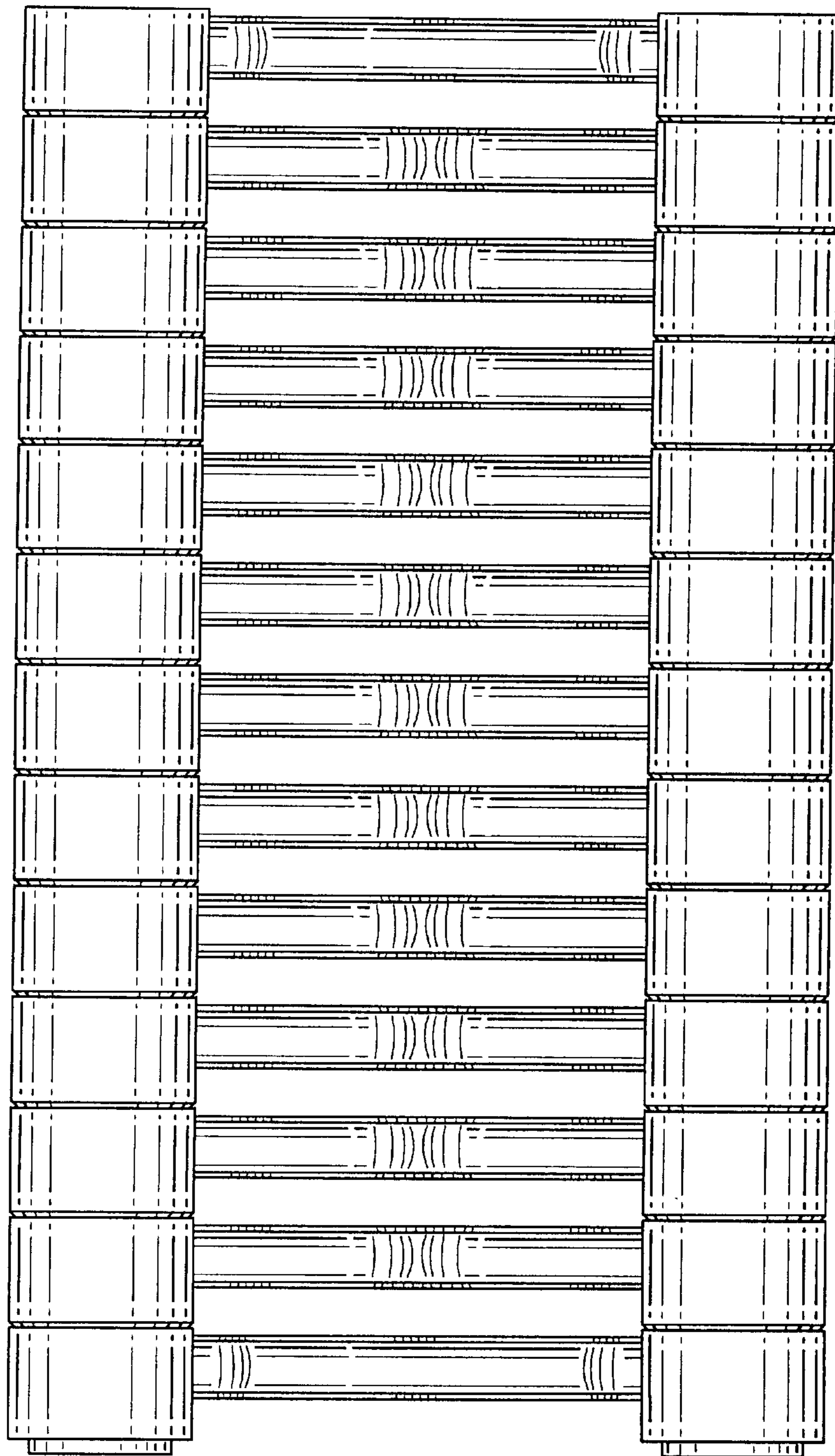


FIG. 6