



US00D442390S

(12) **United States Design Patent**
Edwards

(10) **Patent No.:** **US D442,390 S**

(45) **Date of Patent:** **** May 22, 2001**

(54) **FOLDING KITCHEN ISLAND TABLE**

(76) **Inventor:** **Peter Gregory Edwards**, P.O. Box
170, Gilroy, CA (US) 95021

(**) **Term:** **14 Years**

(21) **Appl. No.:** **29/114,019**

(22) **Filed:** **Nov. 16, 1999**

(51) **LOC (7) Cl.** **06-48**

(52) **U.S. Cl.** **D6/429; D6/477**

(58) **Field of Search** D6/480-489, 495,
D6/496, 511, 429-431; 108/153.1, 155,
156, 157.1, 161, 69, 65, 70, 125, 126, 129,
130; 248/188, 188.1

(56) **References Cited**

U.S. PATENT DOCUMENTS

D. 97,716	*	12/1935	Rideout	D6/430
D. 244,417	*	5/1977	Pratt	D6/477
D. 253,739	*	12/1979	Long	D6/483
D. 255,738	*	7/1980	Tome	D6/430
2,174,613	*	10/1939	Blaschke	108/125
5,060,580		10/1991	Shaw	108/25

* cited by examiner

Primary Examiner—Janice E. Seeger

(74) *Attorney, Agent, or Firm*—Ronald C. Fish; Falk & Fish

(57) **CLAIM**

The ornamental design for a folding kitchen island table, as shown and described.

DESCRIPTION

The design of the invention disclosed herein is useful for placing a temporary kitchen island in a kitchen that does not have a kitchen island.

There is disclosed herein a folding, kitchen island table.

FIG. 1 is a front elevation view of the design for a folding kitchen island table.

FIG. 2 is an end elevation view of the design for a folding kitchen island table.

FIG. 3 is a front elevation view of the design for a folding kitchen island table showing the drawers in the end faces in the open position.

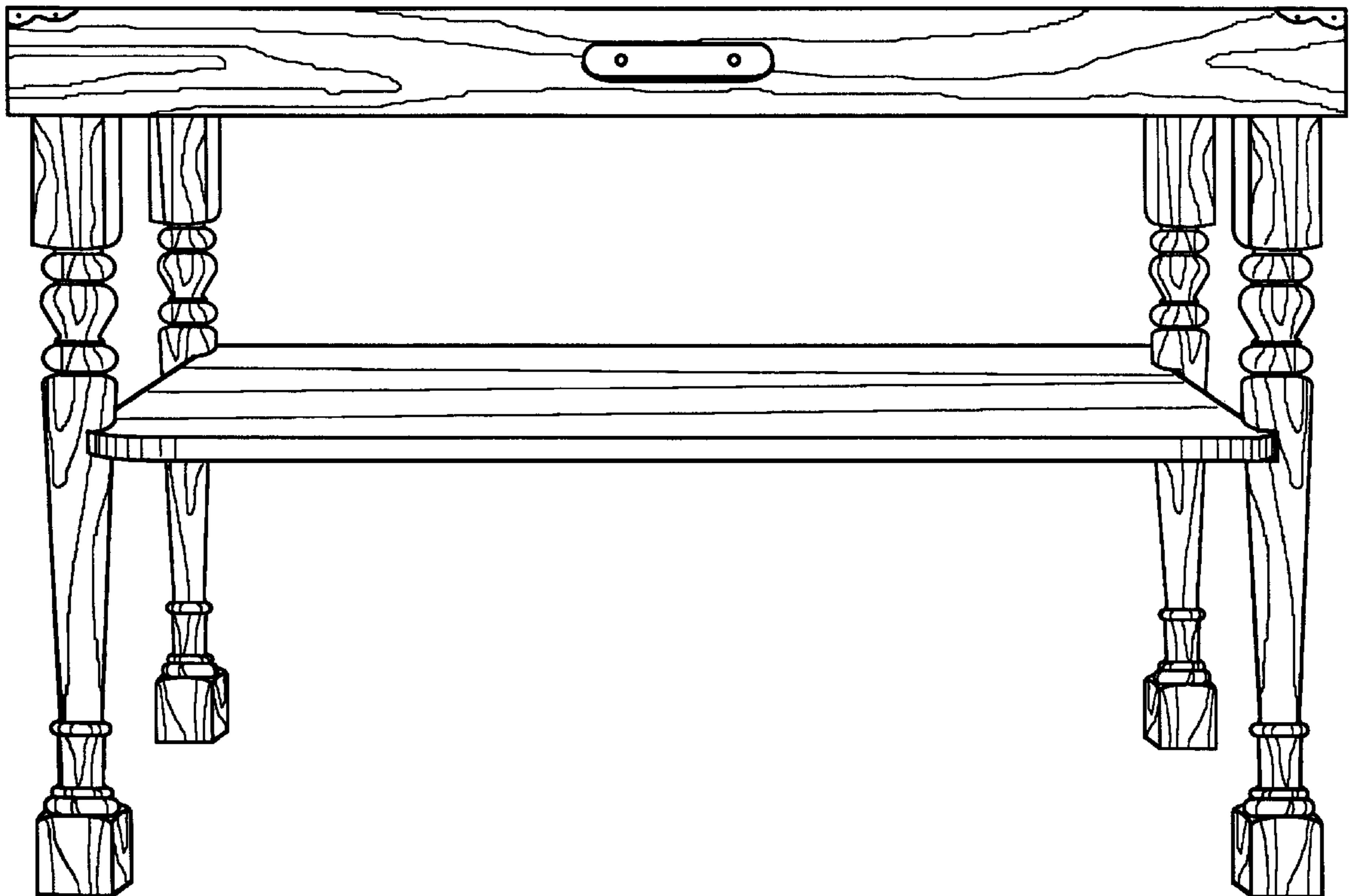
FIG. 4 is a bottom plan view of the design for a folding kitchen island table with the legs folded.

FIG. 5 is a top plan view looking down on the top surface of the design for a folding kitchen island table; and,

FIG. 6 is a bottom perspective view of the design for a folding kitchen island table with legs extended.

The inside of the drawers is not part of the claimed design.

1 Claim, 6 Drawing Sheets



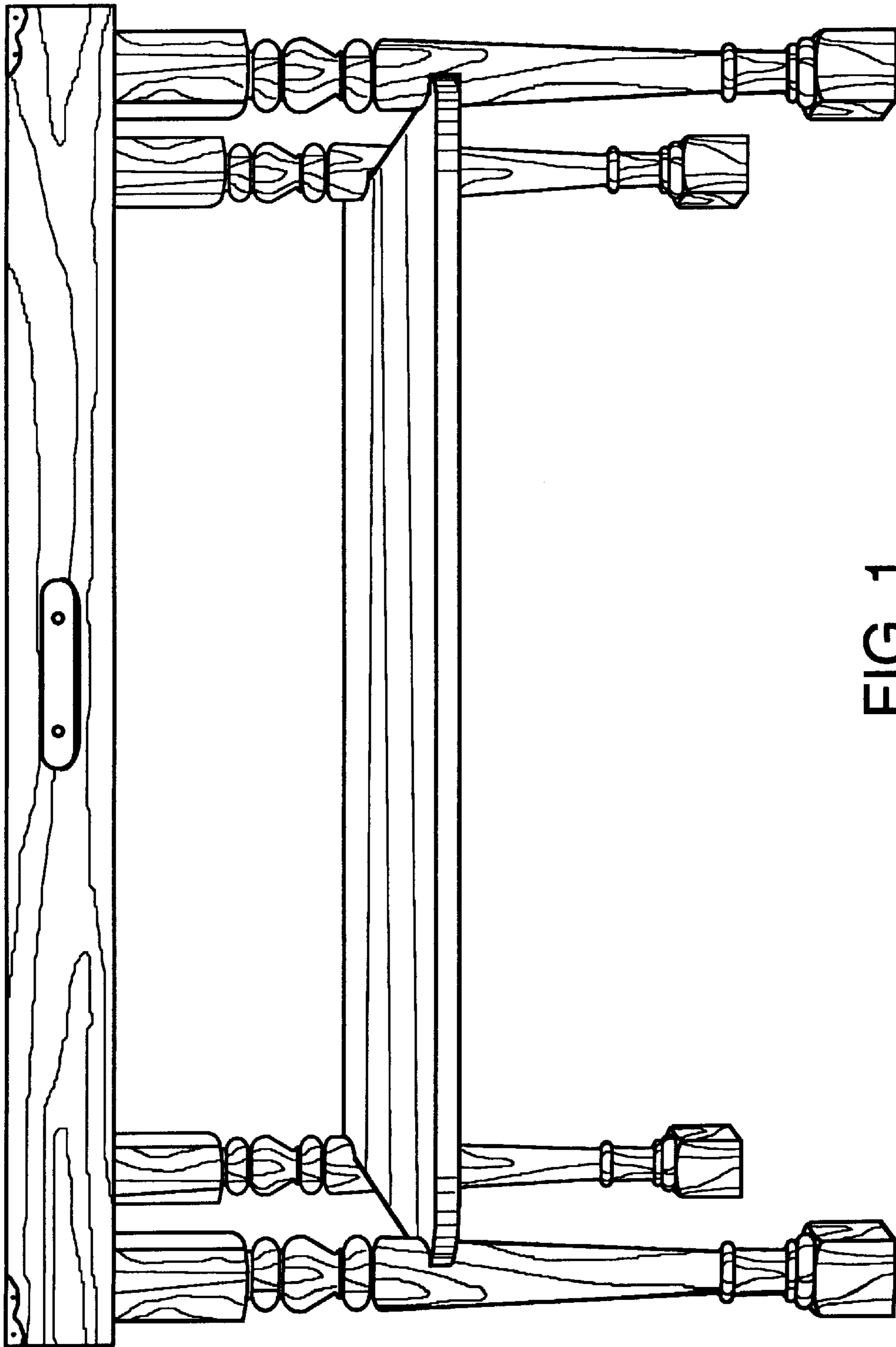


FIG. 1

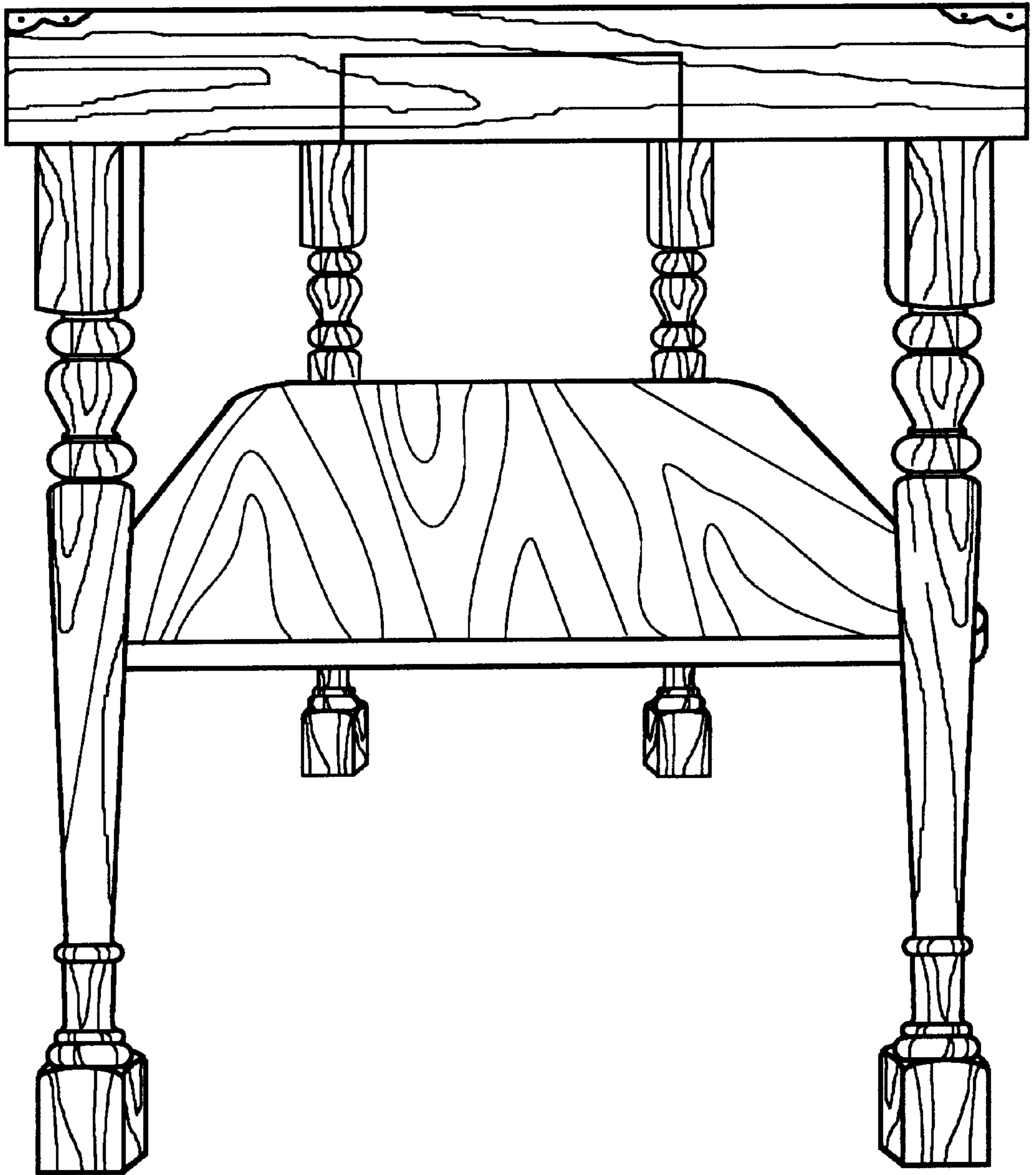


FIG. 2

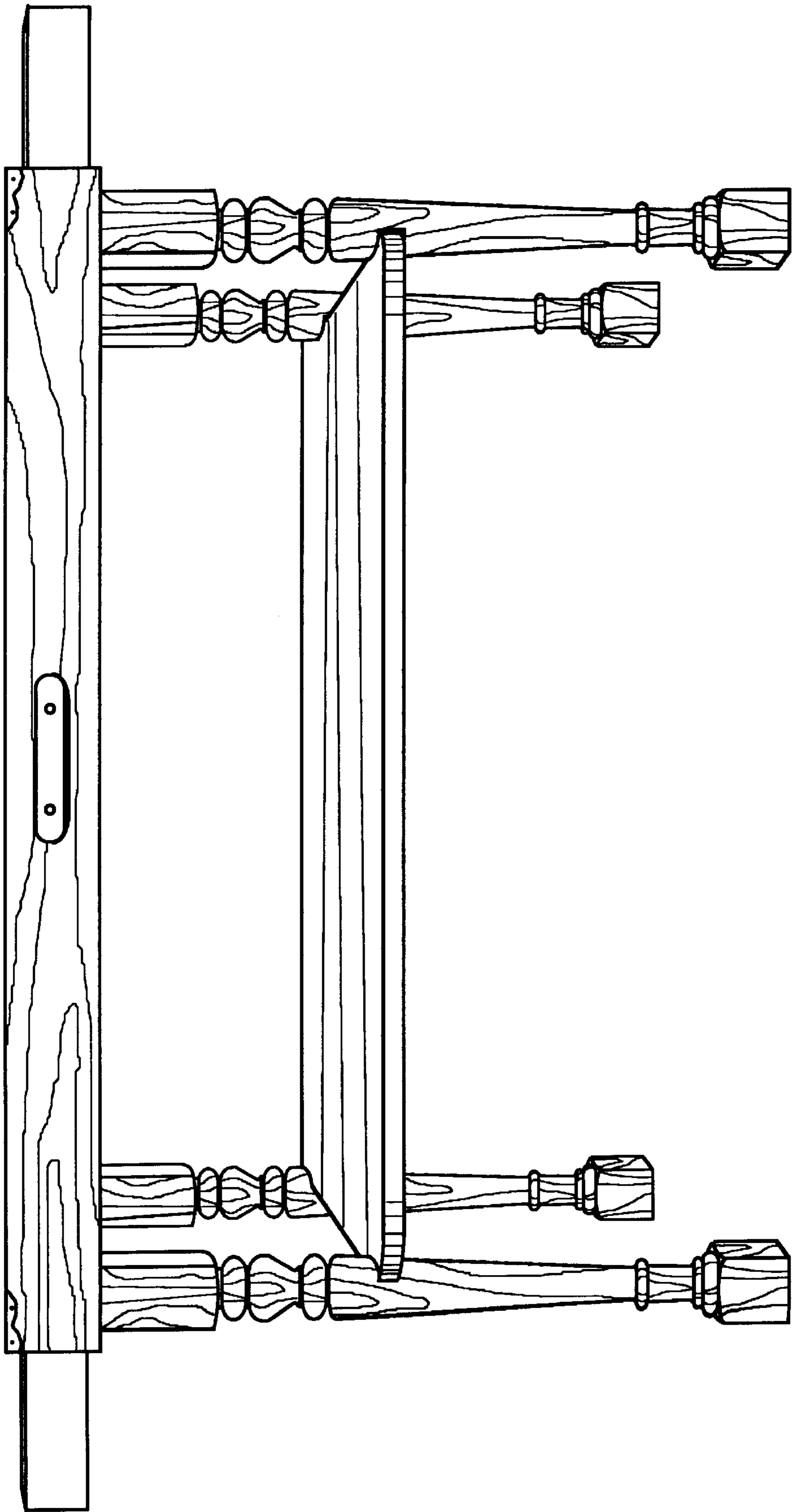


FIG. 3

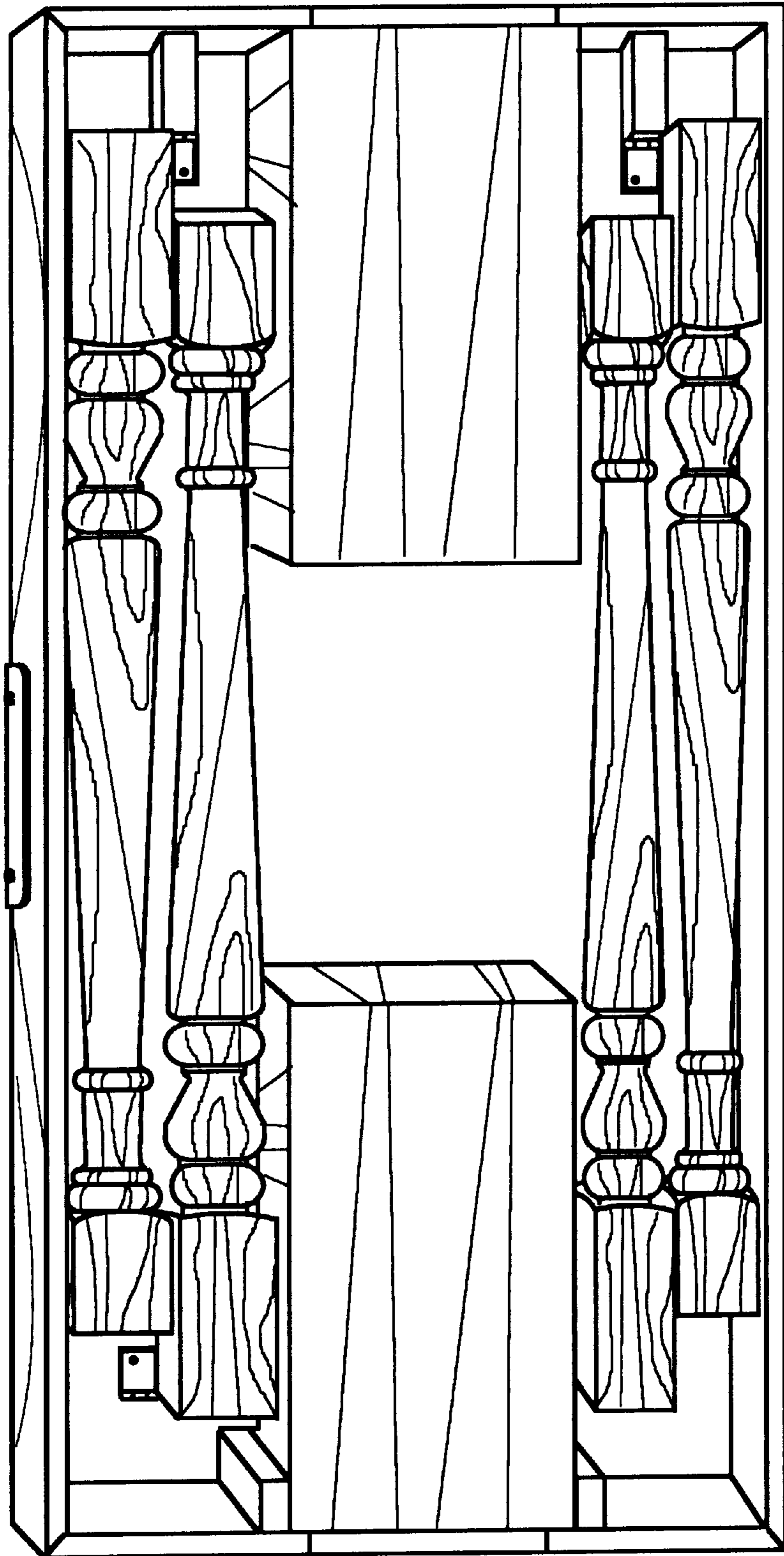


FIG. 4

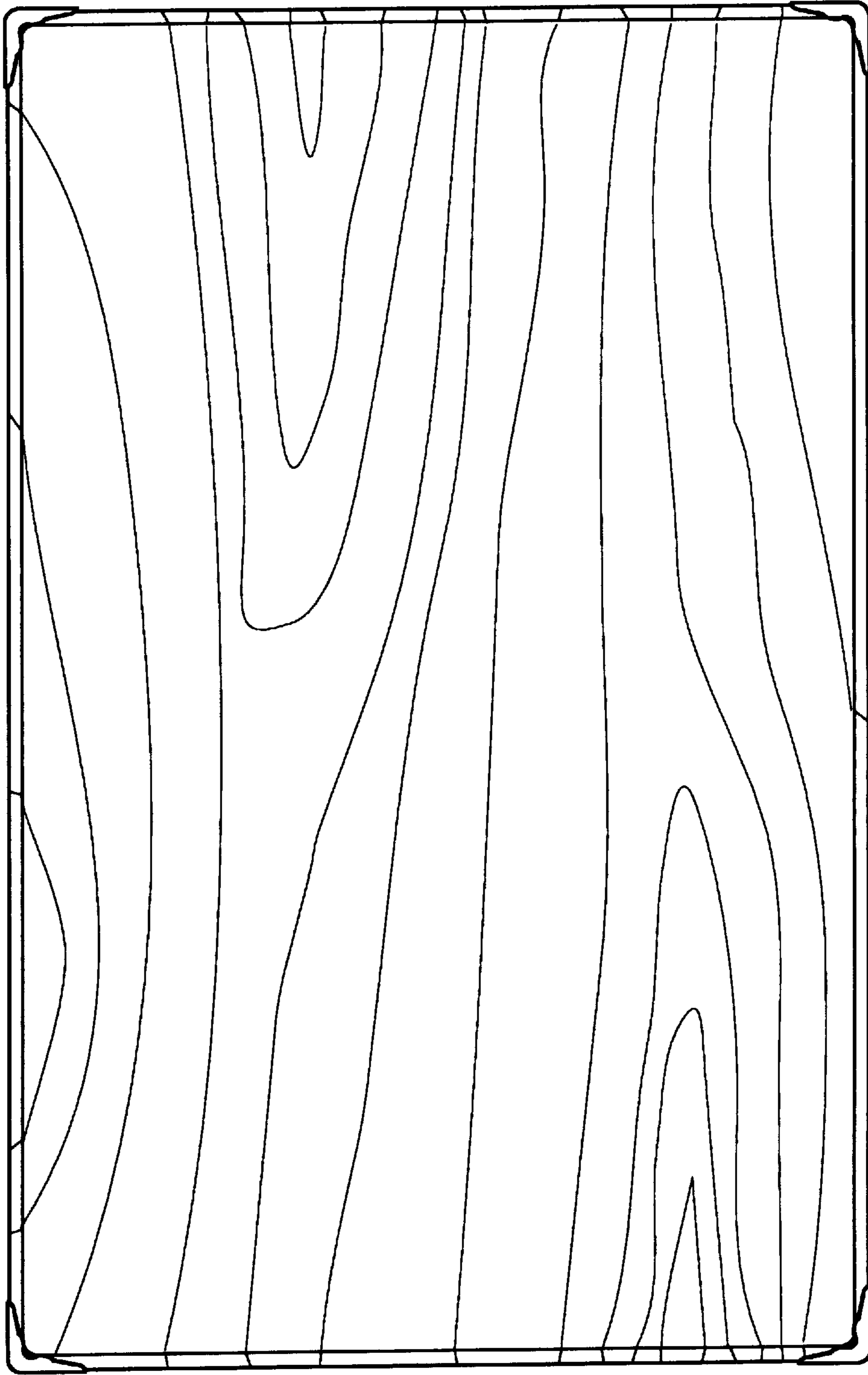


FIG. 5

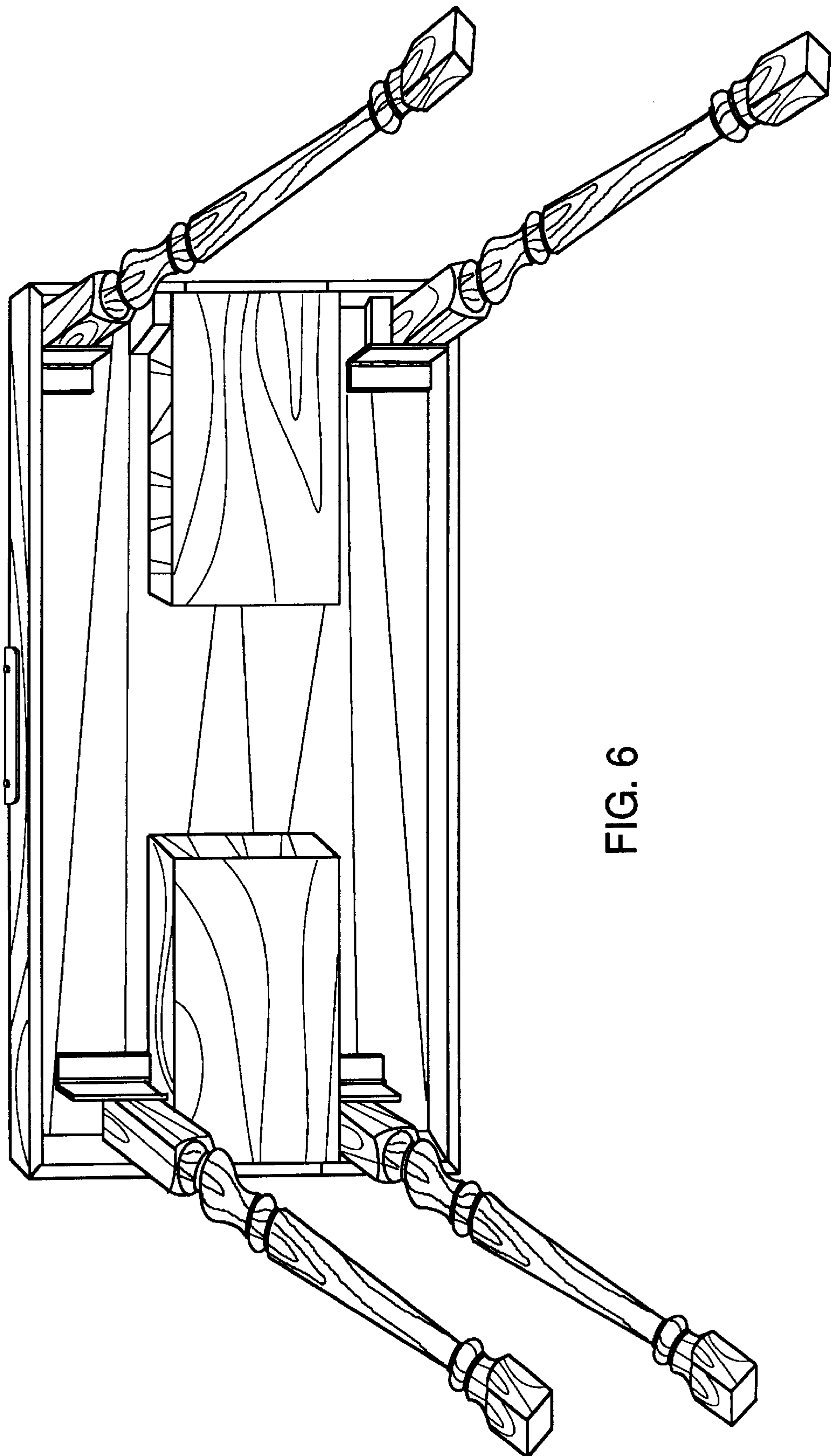


FIG. 6