



US00D442389S

(12) **United States Design Patent**  
**Hwang**

(10) **Patent No.:** **US D442,389 S**

(45) **Date of Patent:** **\*\* May 22, 2001**

(54) **TABLE**

(75) **Inventor:** **James Hwang, Taipei (TW)**

(73) **Assignee:** **Kenmark Industrial Co., Ltd., Taipei (TW)**

(\*\*) **Term:** **14 Years**

(21) **Appl. No.:** **29/105,890**

(22) **Filed:** **May 2, 1999**

(51) **LOC (7) Cl.** ..... **06-04**

(52) **U.S. Cl.** ..... **D6/426; D6/436**

(58) **Field of Search** ..... **D6/480-489, 422-428, D6/495, 477, 511, 474, 420, 421, 448, 436; 312/194-196, 204, 208.1; 108/50.01, 50.02**

(56) **References Cited**

**U.S. PATENT DOCUMENTS**

- D. 118,484 \* 1/1940 Salomon ..... D6/420
- D. 241,490 \* 9/1976 Karlin ..... D6/428

- D. 311,650 \* 10/1990 Keller ..... D6/446
- D. 323,437 \* 1/1992 Hashimoto et al. .... D6/436
- D. 394,965 \* 6/1998 Fang ..... D6/474
- D. 407,234 \* 3/1999 Moen et al. .... D6/426

\* cited by examiner

*Primary Examiner*—Janice E. Seeger

(74) *Attorney, Agent, or Firm*—Bacon & Thomas, PLLC

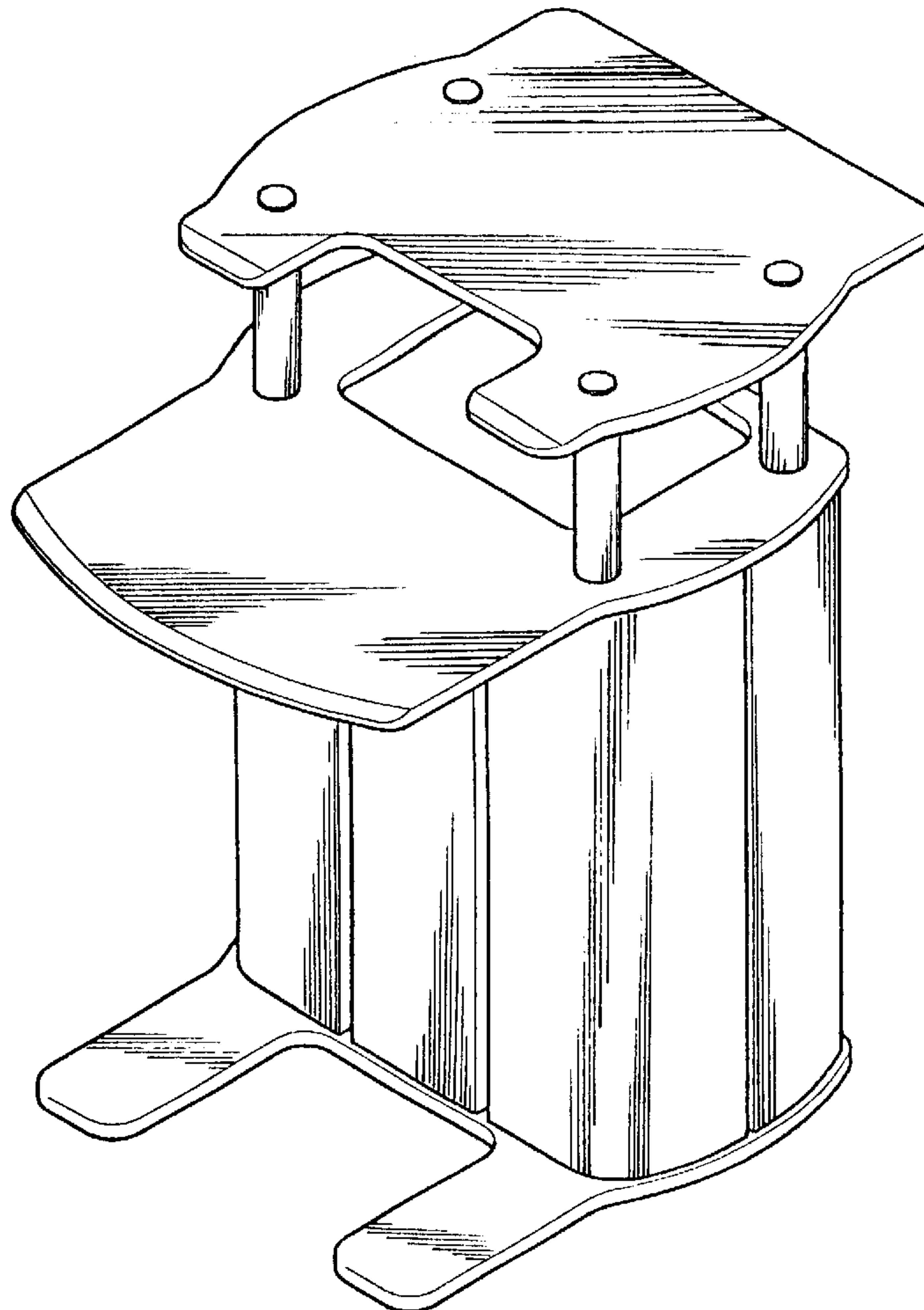
(57) **CLAIM**

The ornamental design for table, as shown and described.

**DESCRIPTION**

FIG. 1 is a top, front right side perspective view thereof; FIG. 2, is a front elevational view thereof; FIG. 3, is a rear elevational view thereof; FIG. 4, is a left plan view thereof; FIG. 5, is a right plan view thereof; FIG. 6, is a top plan view thereof; FIG. 7 is a bottom plan view thereof; and, FIG. 8, is a perspective view when drawers opened.

**1 Claim, 8 Drawing Sheets**



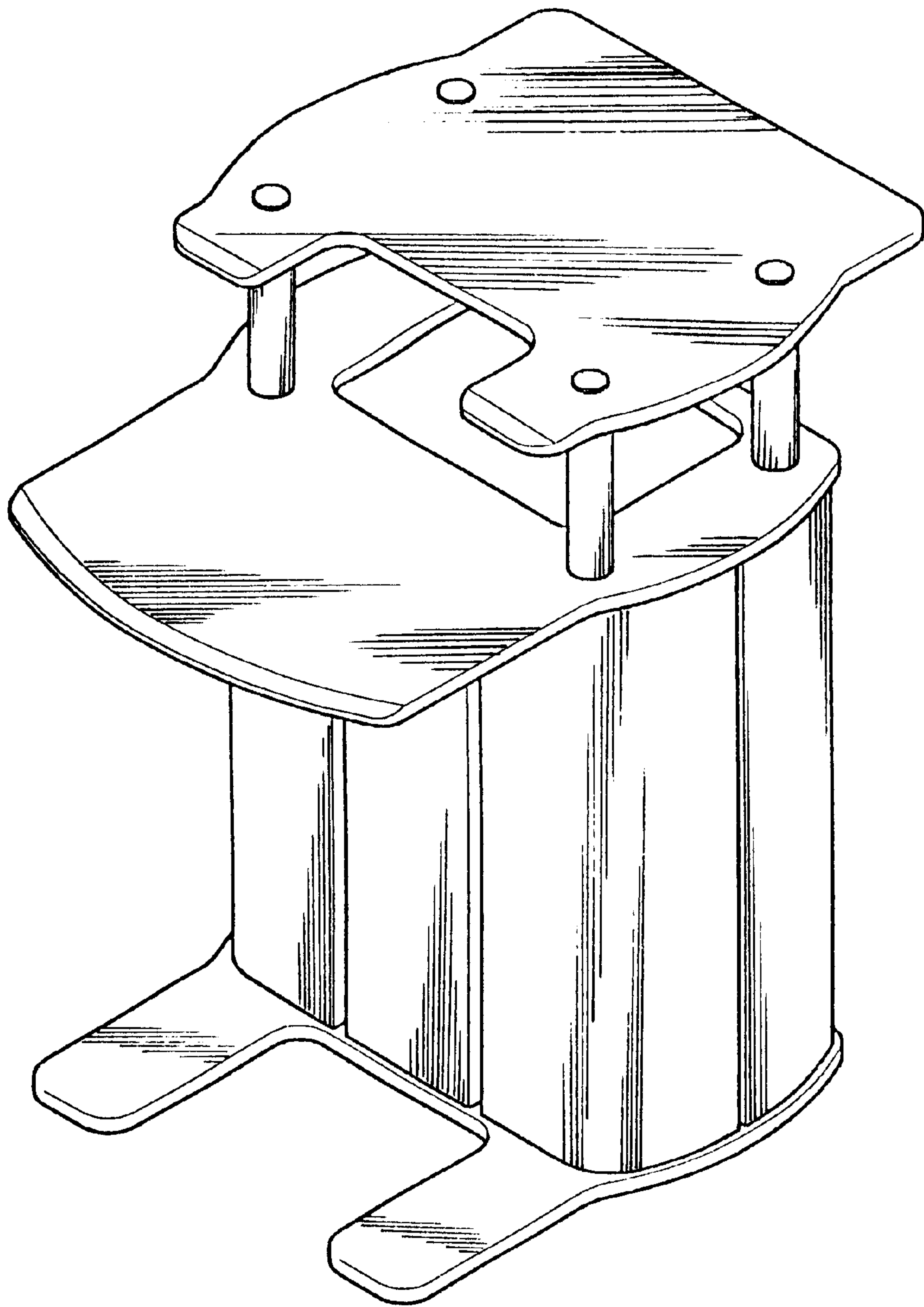


FIG. 1

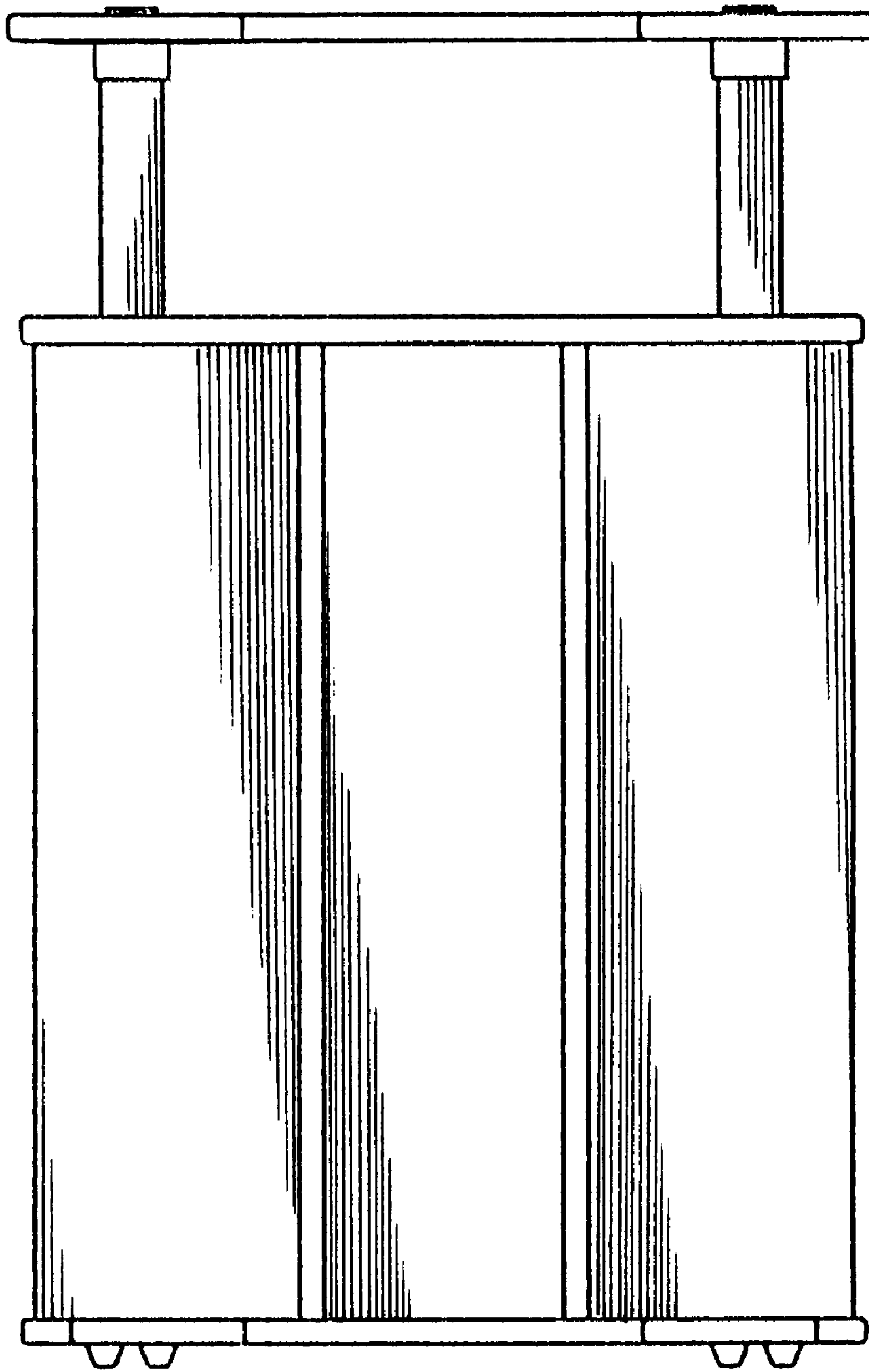


FIG. 2

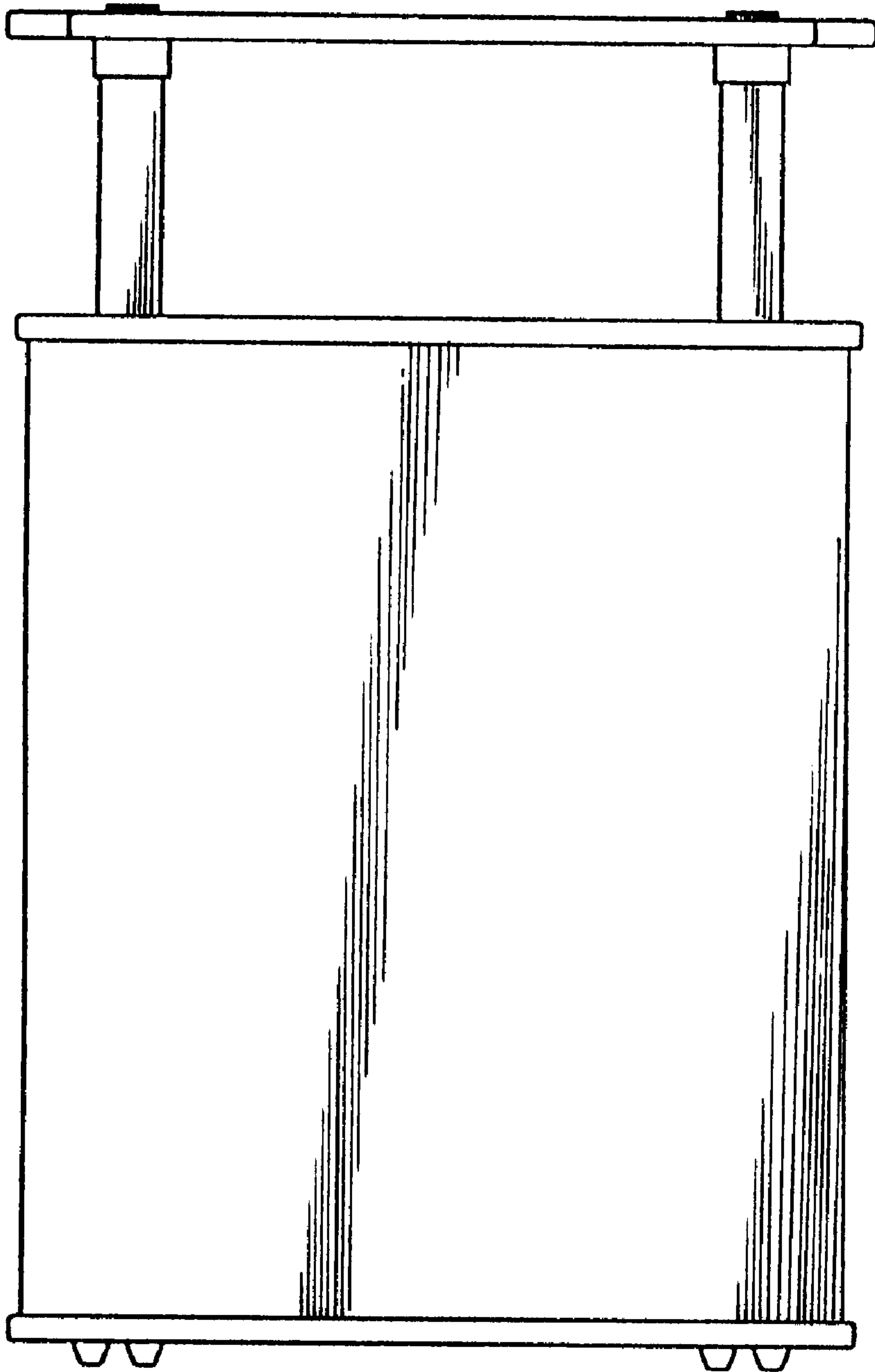


FIG. 3

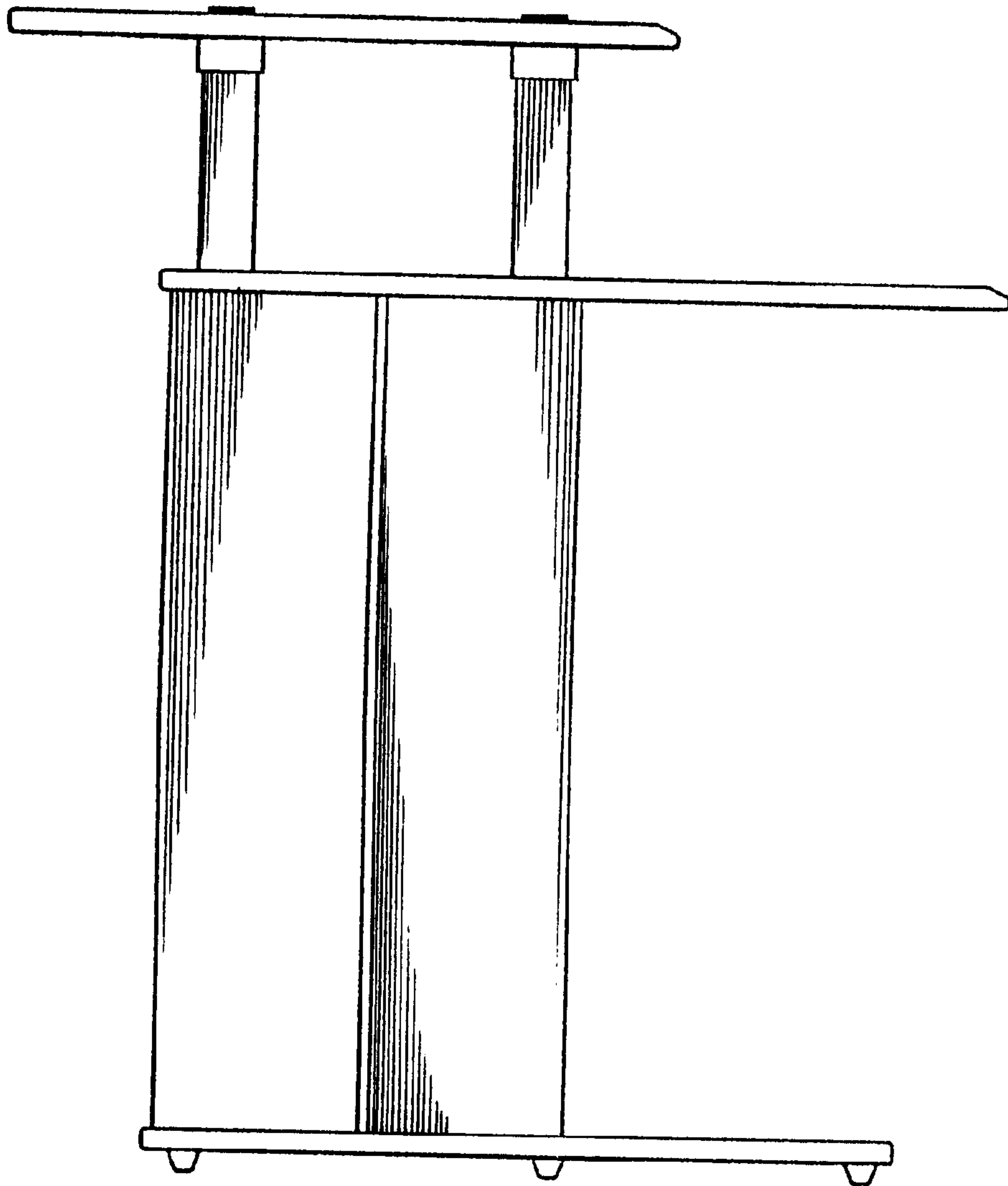


FIG. 4

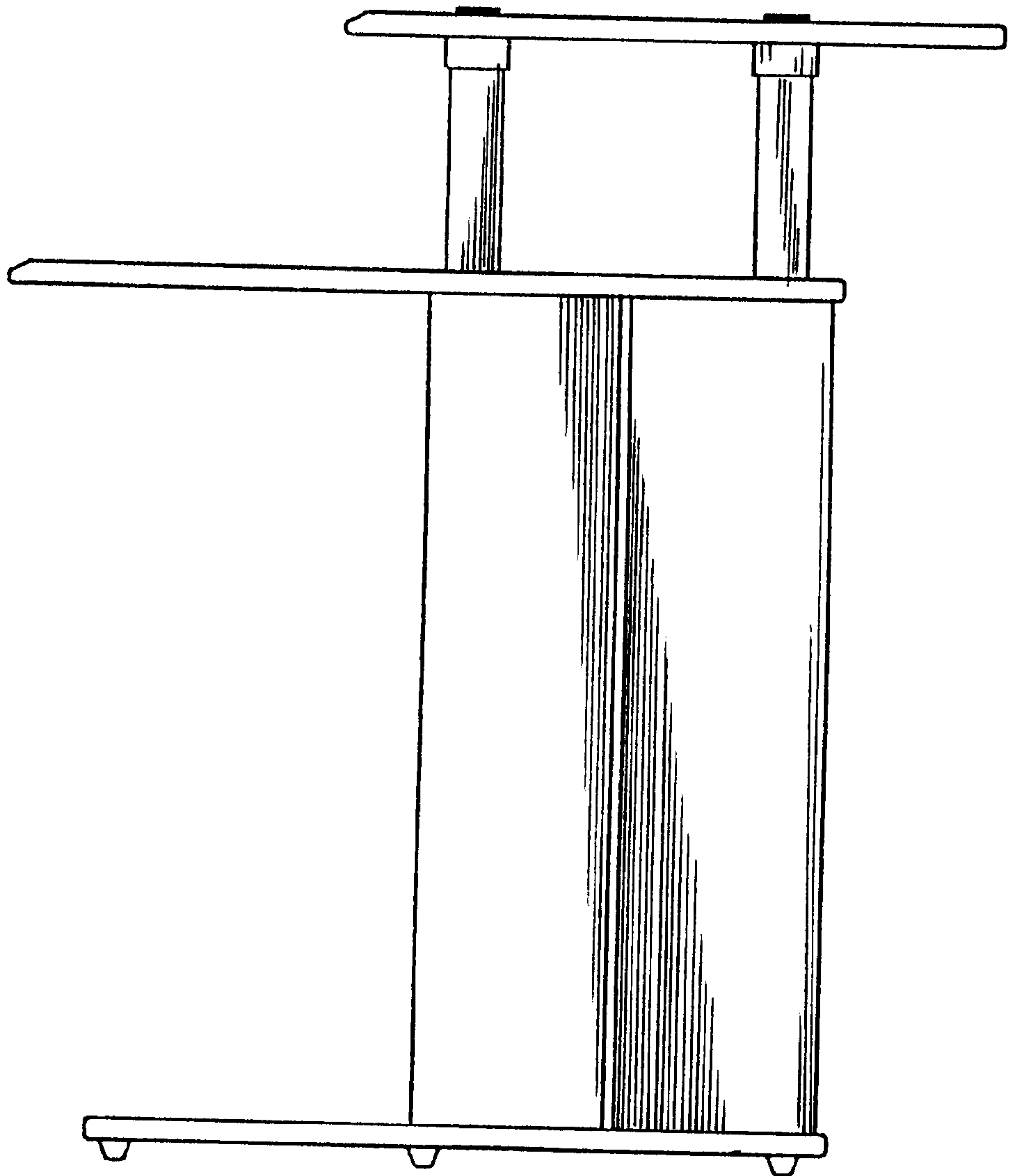


FIG. 5

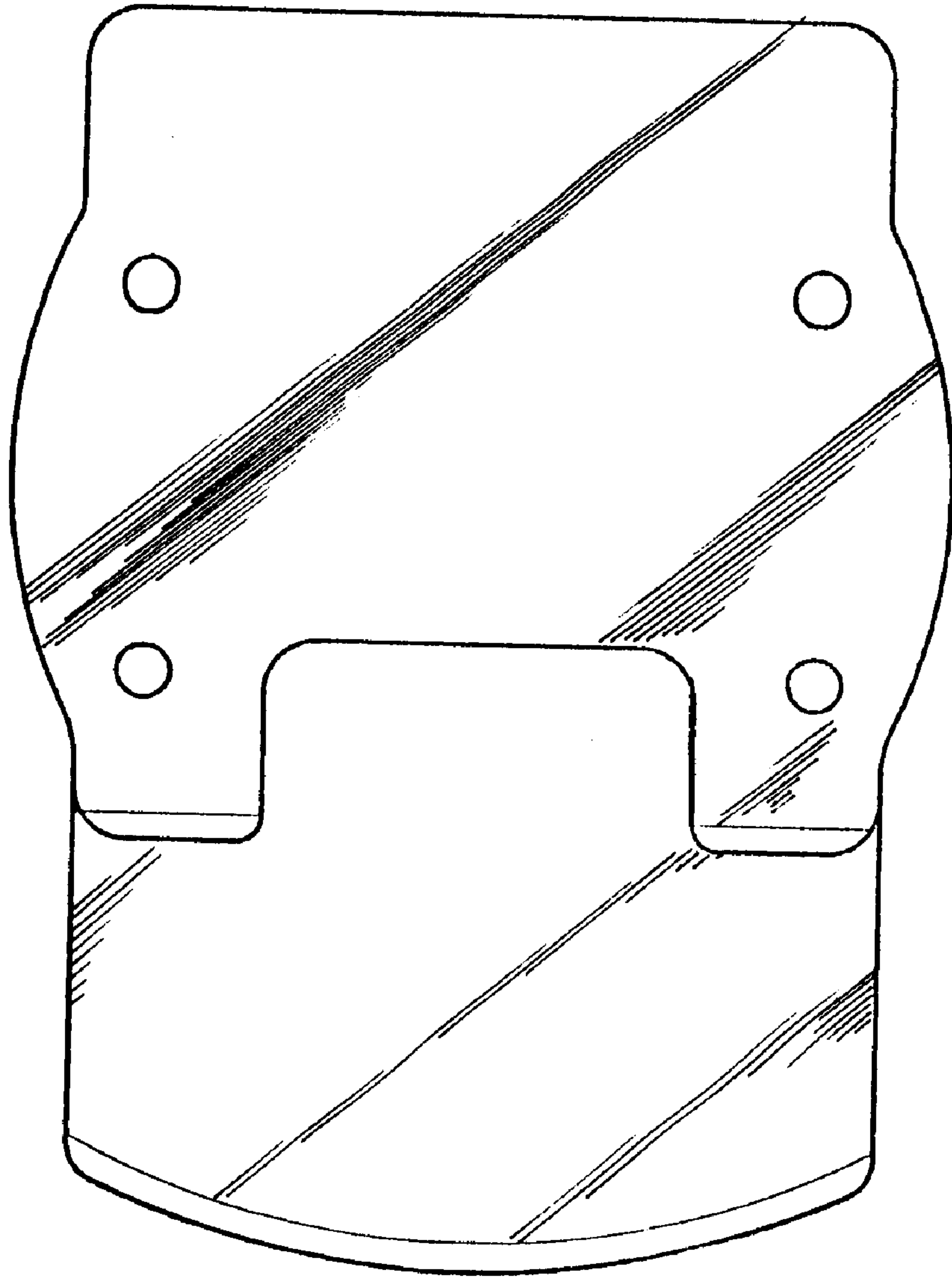


FIG. 6



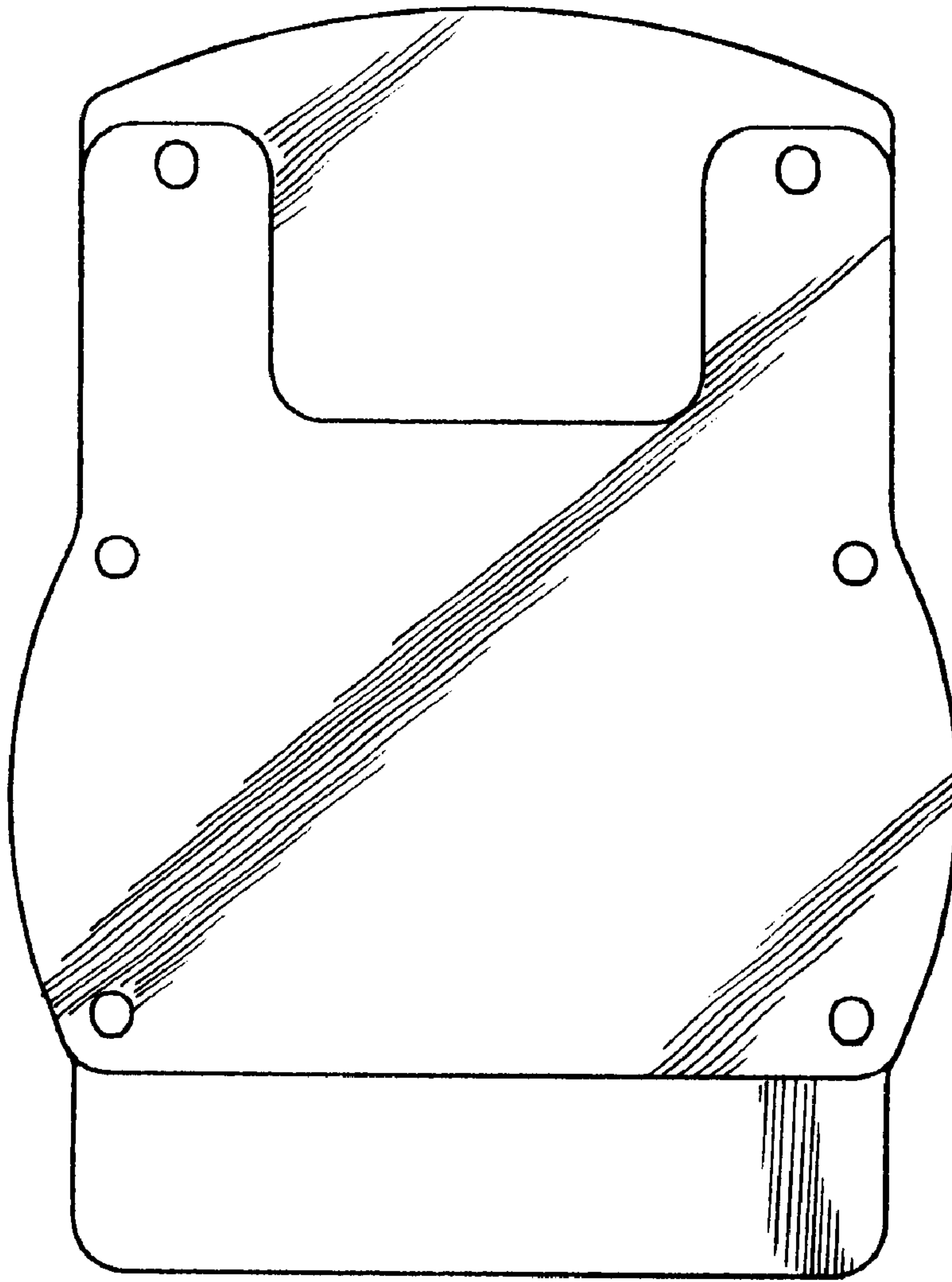


FIG. 7



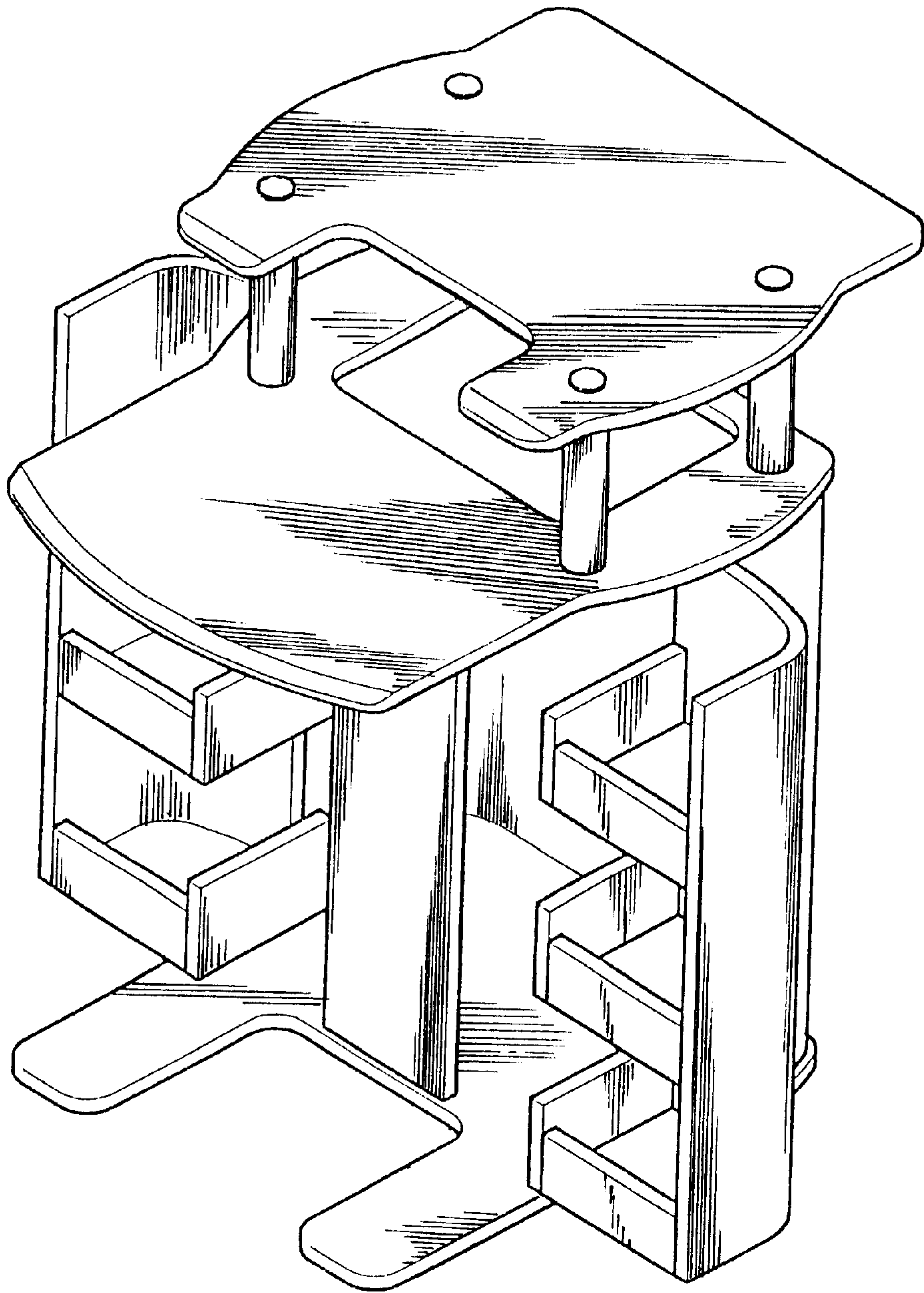


FIG. 8