



US00D442388S

(12) **United States Design Patent**  
**Zuercher**

(10) **Patent No.:** **US D442,388 S**

(45) **Date of Patent:** **\*\* May 22, 2001**

(54) **PORTABLE SHOP TABLE**

5,473,996 \* 12/1995 Kendall ..... 108/59

(75) Inventor: **Herman N. Zuercher**, Prescott, AZ  
(US)

\* cited by examiner

*Primary Examiner*—Janice E. Seeger

(73) Assignee: **AGM Container Controls, Inc.**,  
Tucson, AZ (US)

(74) *Attorney, Agent, or Firm*—Antonio R. Durando

(\*\*) Term: **14 Years**

(57) **CLAIM**

The ornamental design for a portable shop table, as shown and described.

(21) Appl. No.: **29/125,231**

**DESCRIPTION**

(22) Filed: **Jun. 21, 2000**

(51) **LOC (7) Cl.** ..... **06-06**

(52) **U.S. Cl.** ..... **D6/400; D6/474; D6/479;**  
D6/489

(58) **Field of Search** ..... D6/422–428, 480,  
D6/484, 489, 400, 474, 477, 479, 511,  
491, 429, 430, 431; D34/12, 17, 18, 21;  
312/194–196, 208.1; 108/59, 50.01, 50.02,  
64

FIG. 1 is a perspective view of a portable shop table showing my design;

FIG. 2 is a front elevational view thereof;

FIG. 3 is an elevational view thereof from the right side;

FIG. 4 is a back elevational view thereof;

FIG. 5 is an elevational view thereof from the left side;

FIG. 6 is a top plan view thereof;

FIG. 7 is a bottom plan view thereof;

FIG. 8 is a bottom view thereof, as seen from line 8—8 in FIG. 2;

FIG. 9 is another bottom view thereof, as seen from line 9—9 in FIG. 2;

FIG. 10 is a perspective view of the bottom thereof; and,

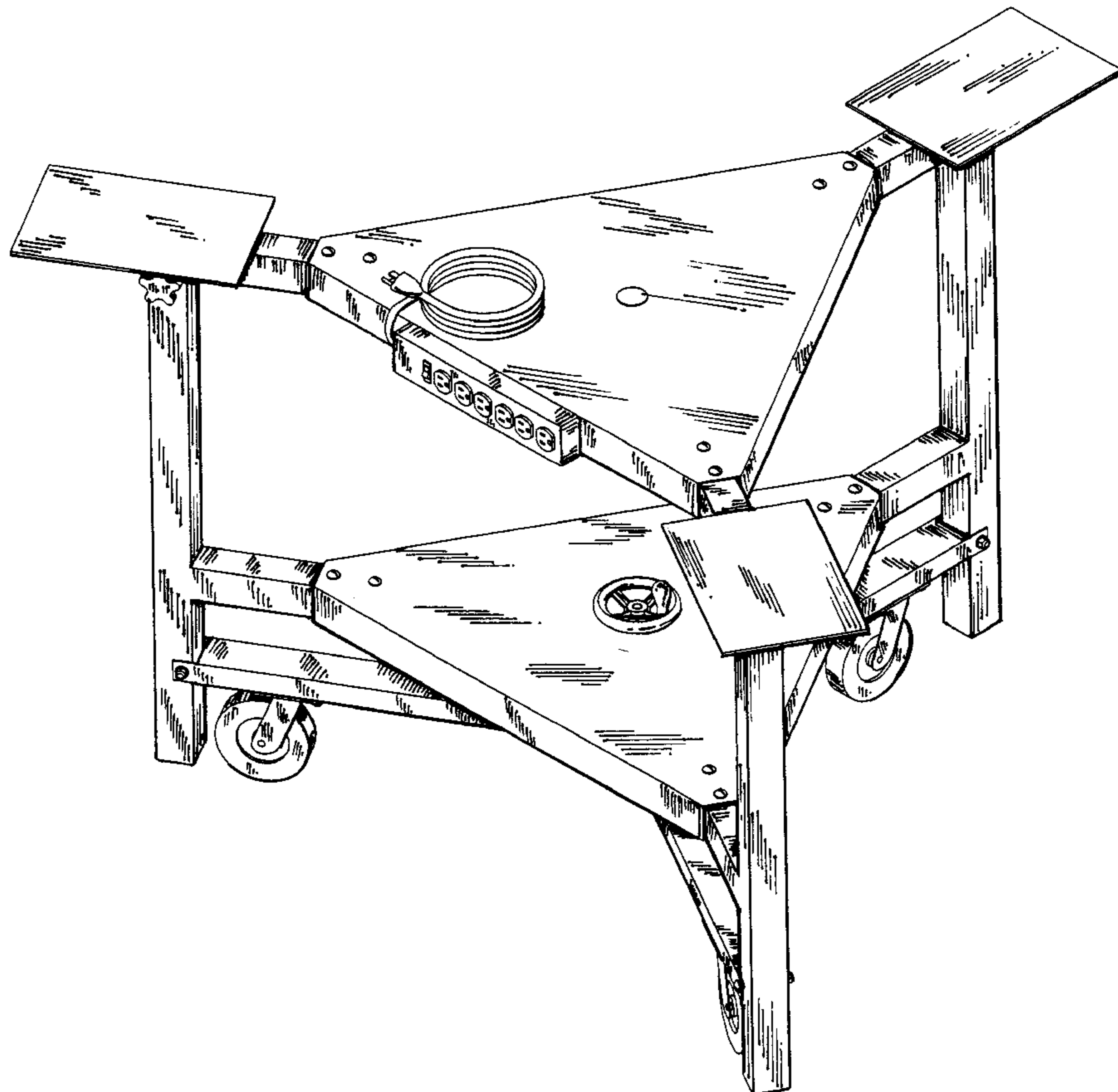
FIG. 11 is an enlarged, perspective view of the caster portion thereof encircled in FIG. 10.

(56) **References Cited**

**U.S. PATENT DOCUMENTS**

- D. 196,121 \* 8/1963 Soszynski ..... D6/489
- D. 211,527 \* 6/1968 Rowland ..... D6/489
- D. 288,157 \* 2/1987 Sandor ..... D6/474
- D. 400,743 \* 11/1998 Jenkins et al. .... D6/511

**1 Claim, 11 Drawing Sheets**



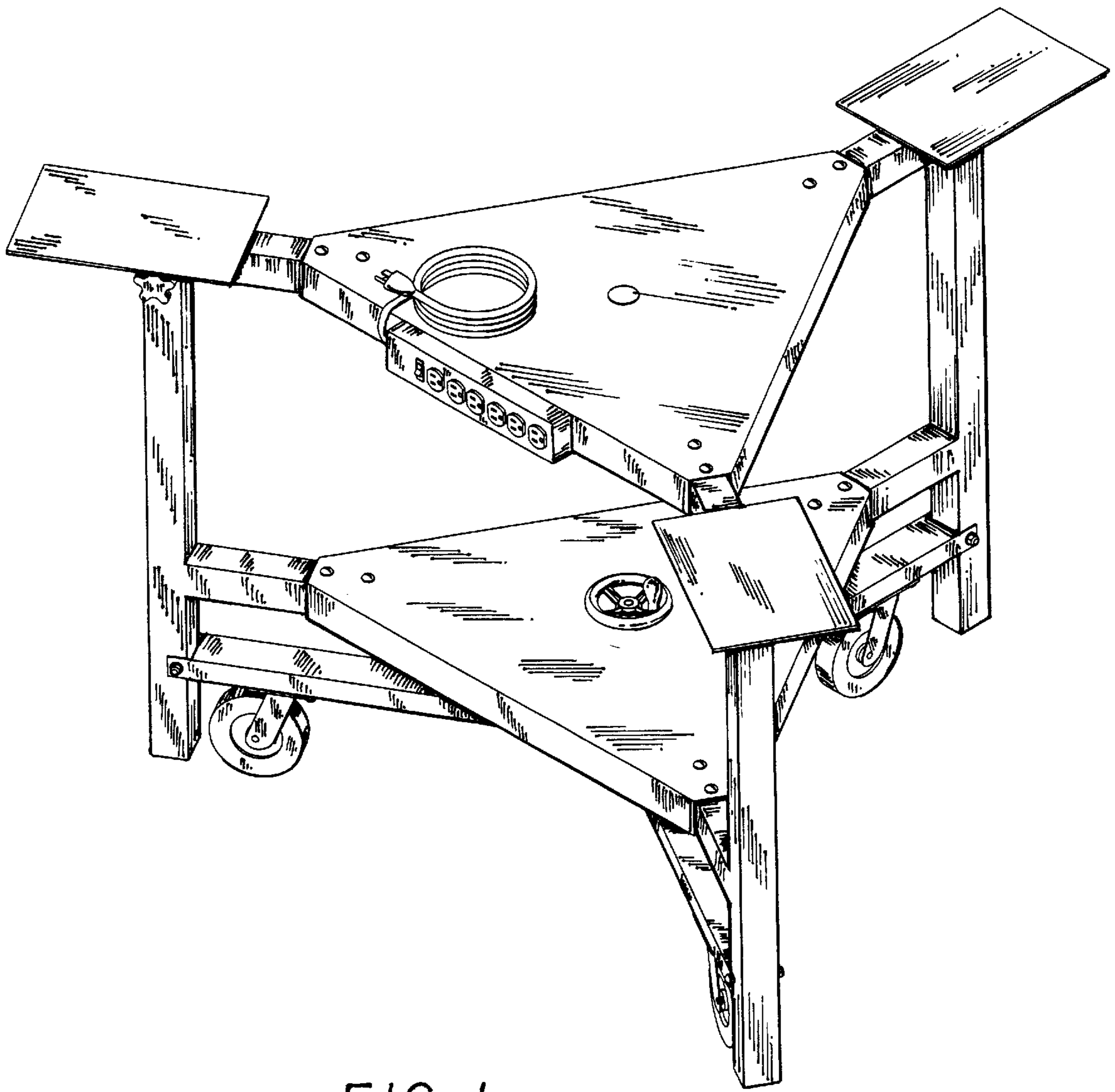


FIG. 1

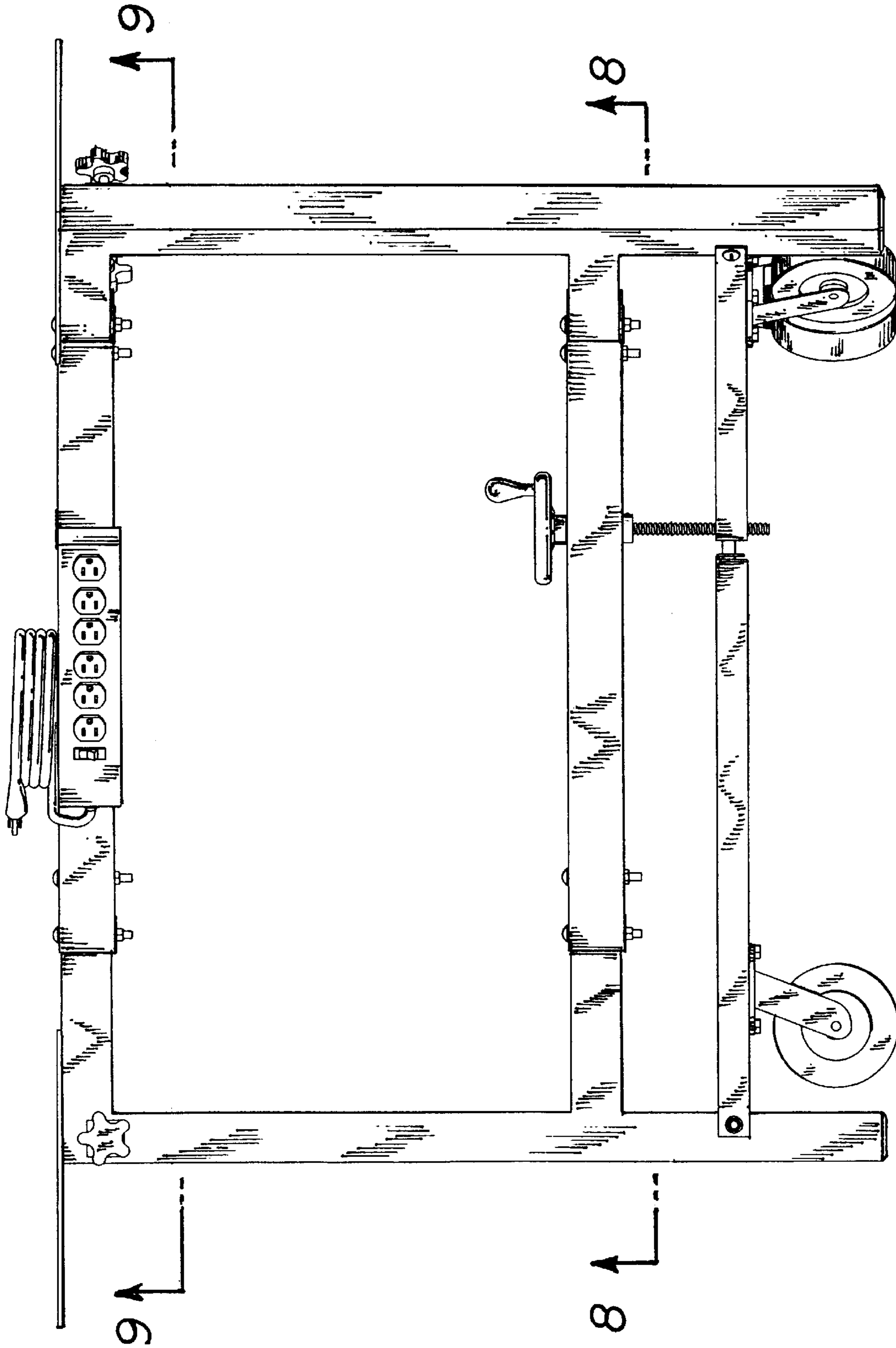


FIG. 2

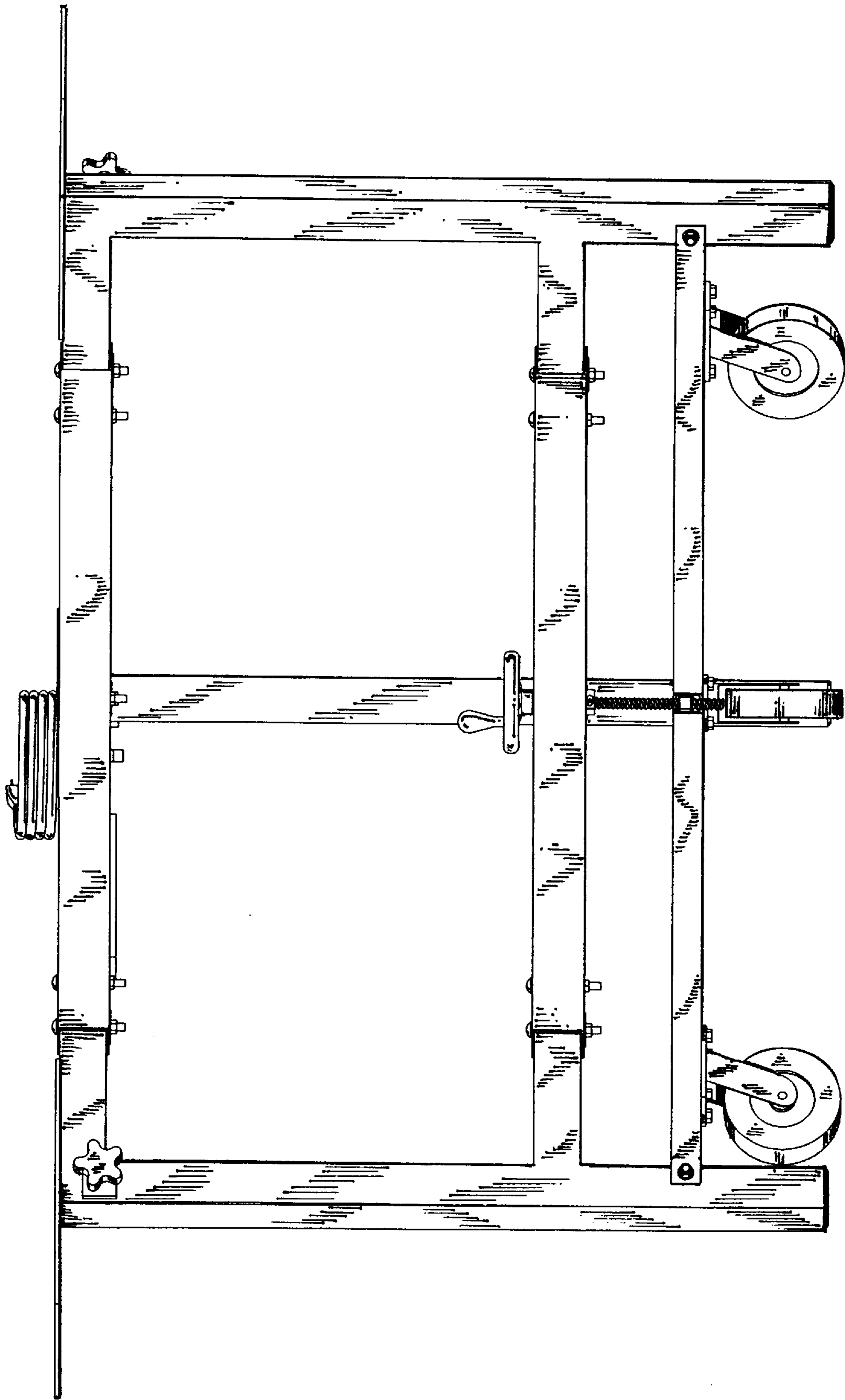


FIG. 3

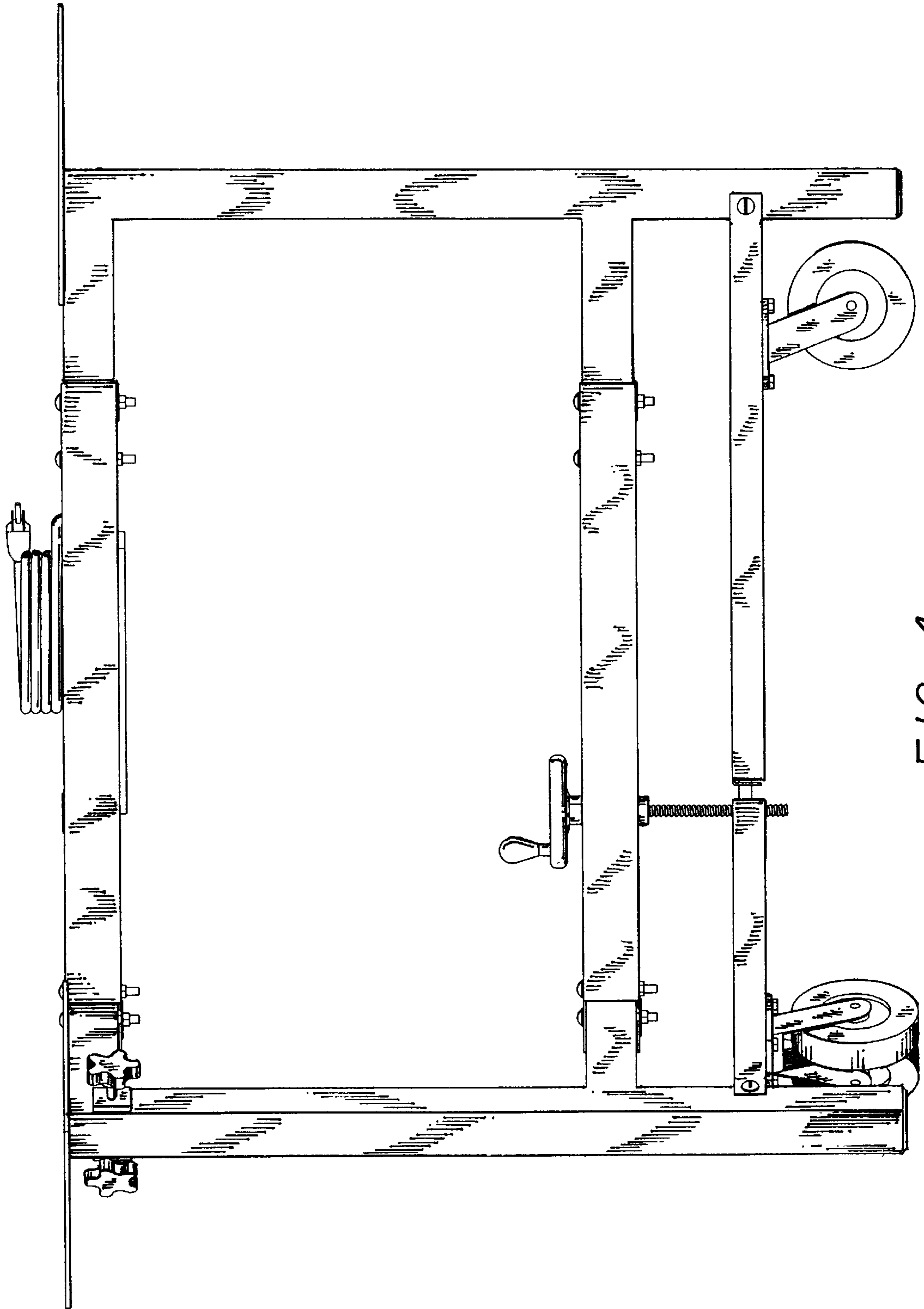


FIG. 4



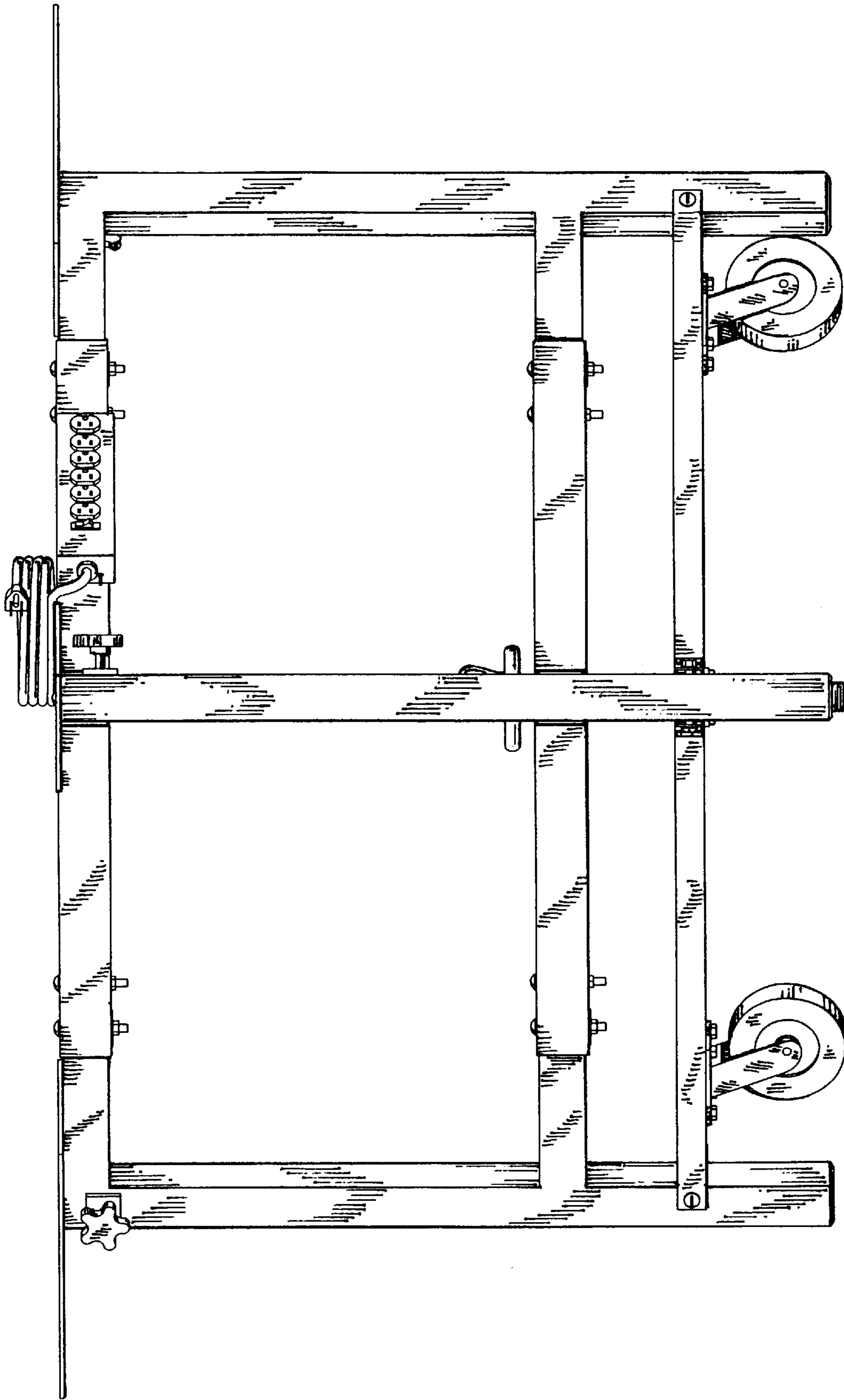


FIG. 5

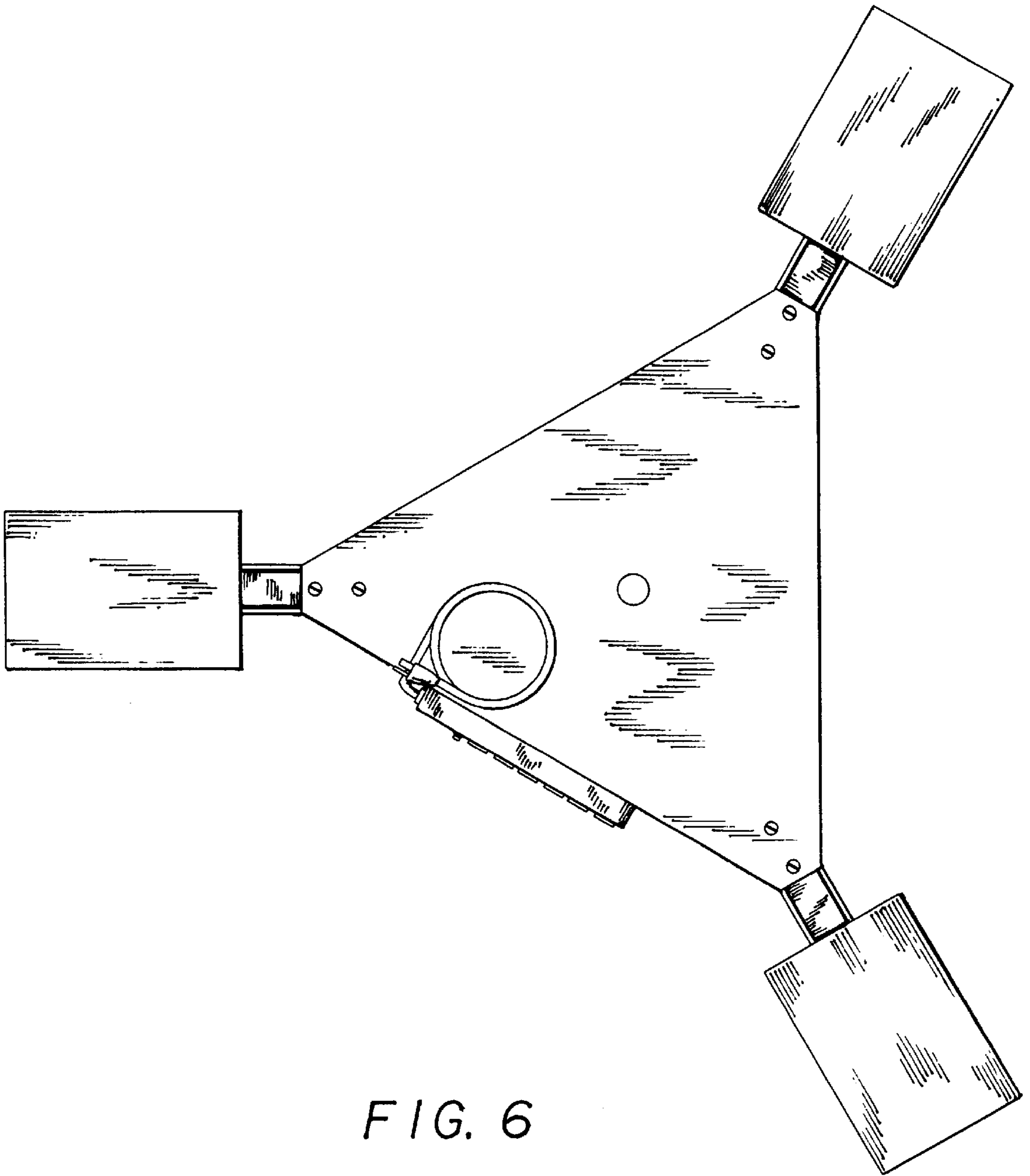


FIG. 6

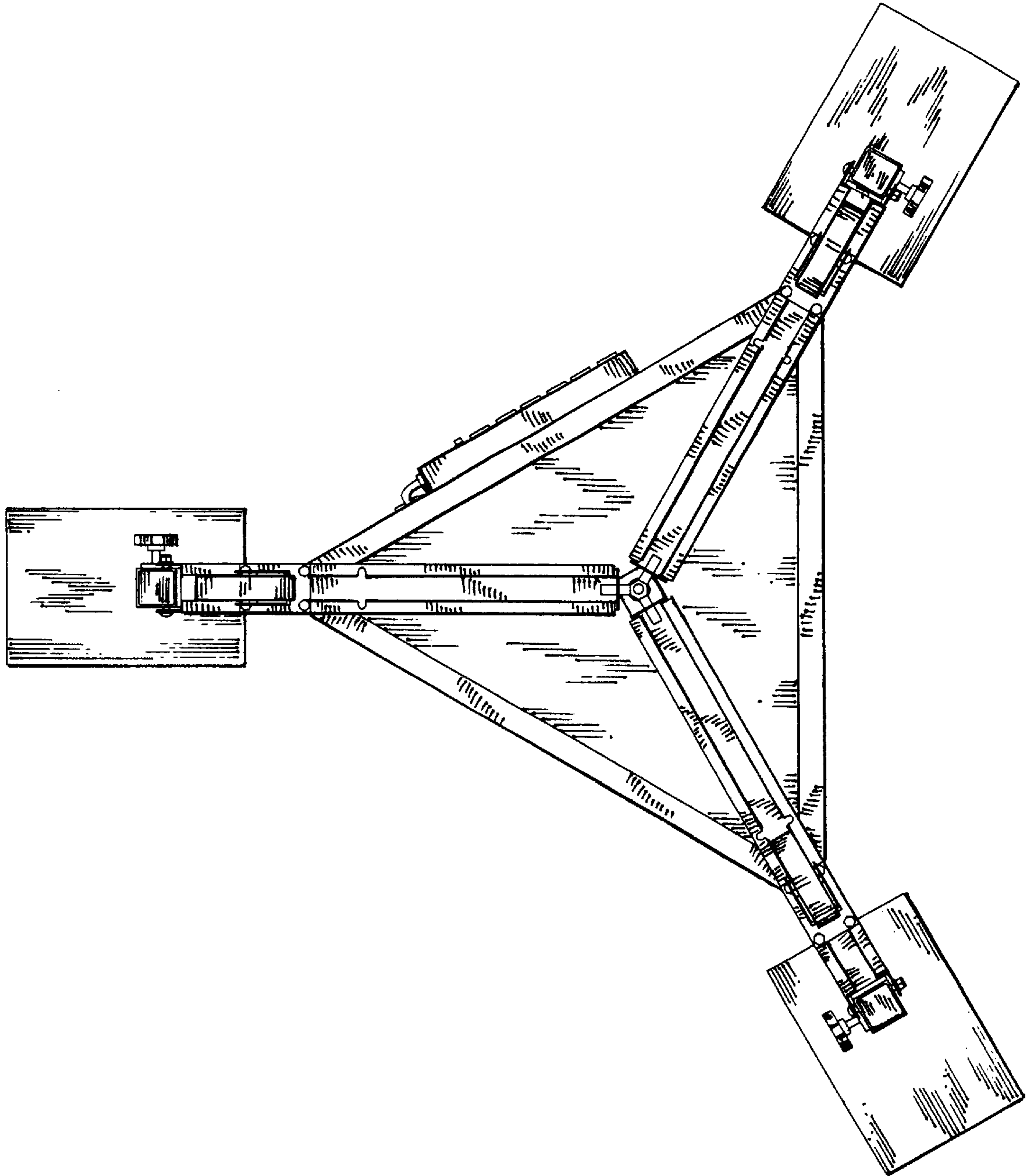


FIG. 7



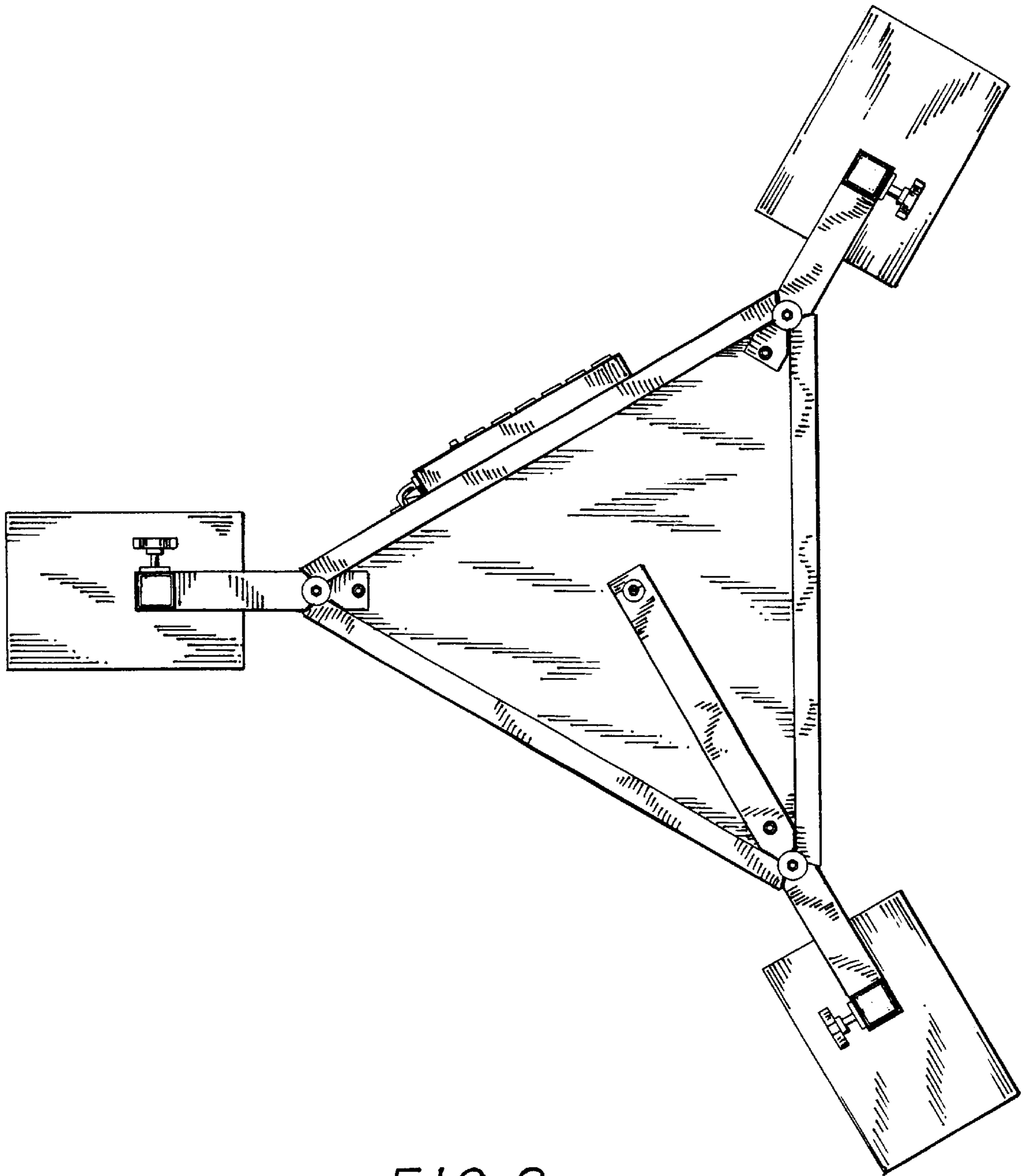


FIG. 8

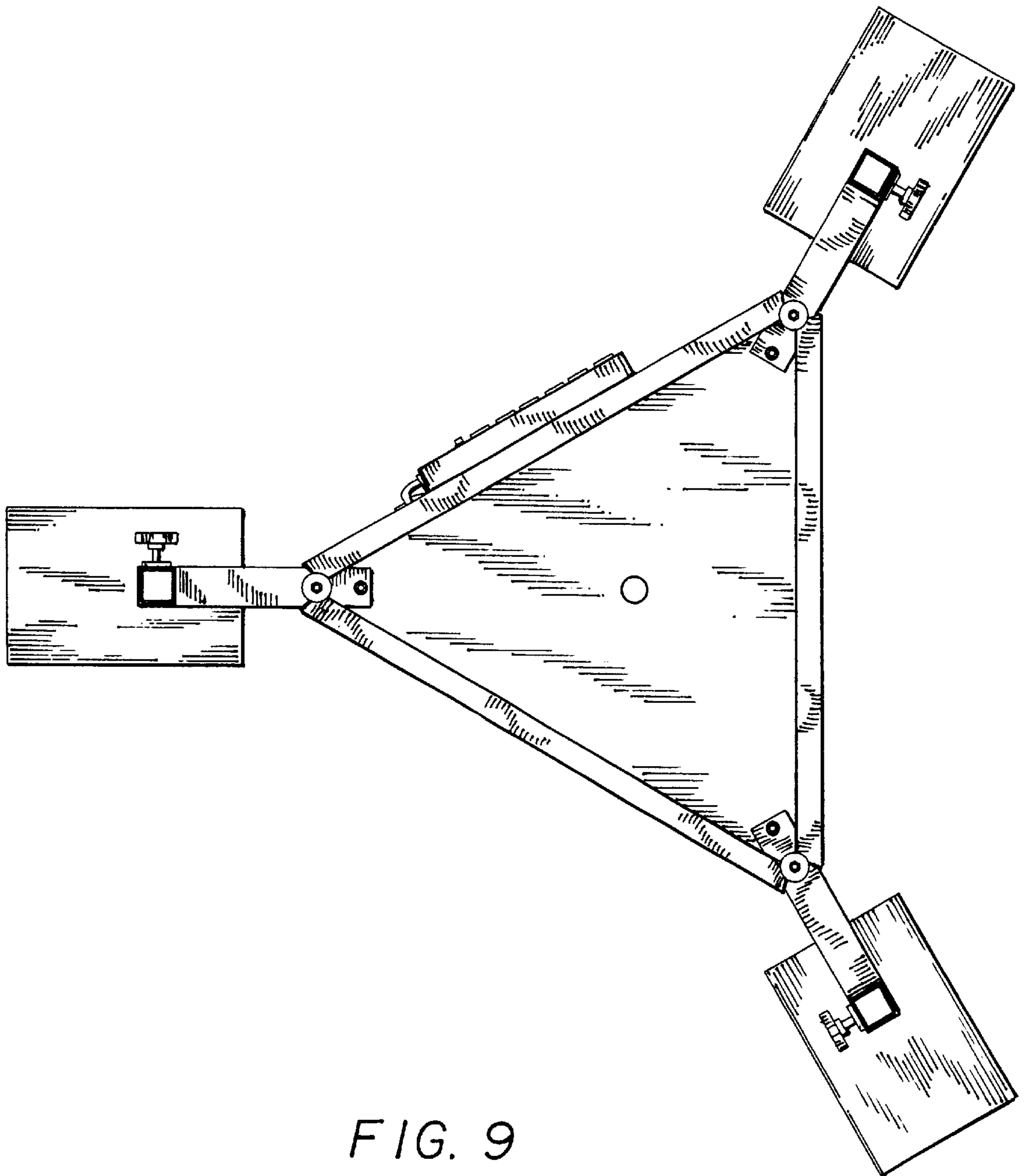


FIG. 9

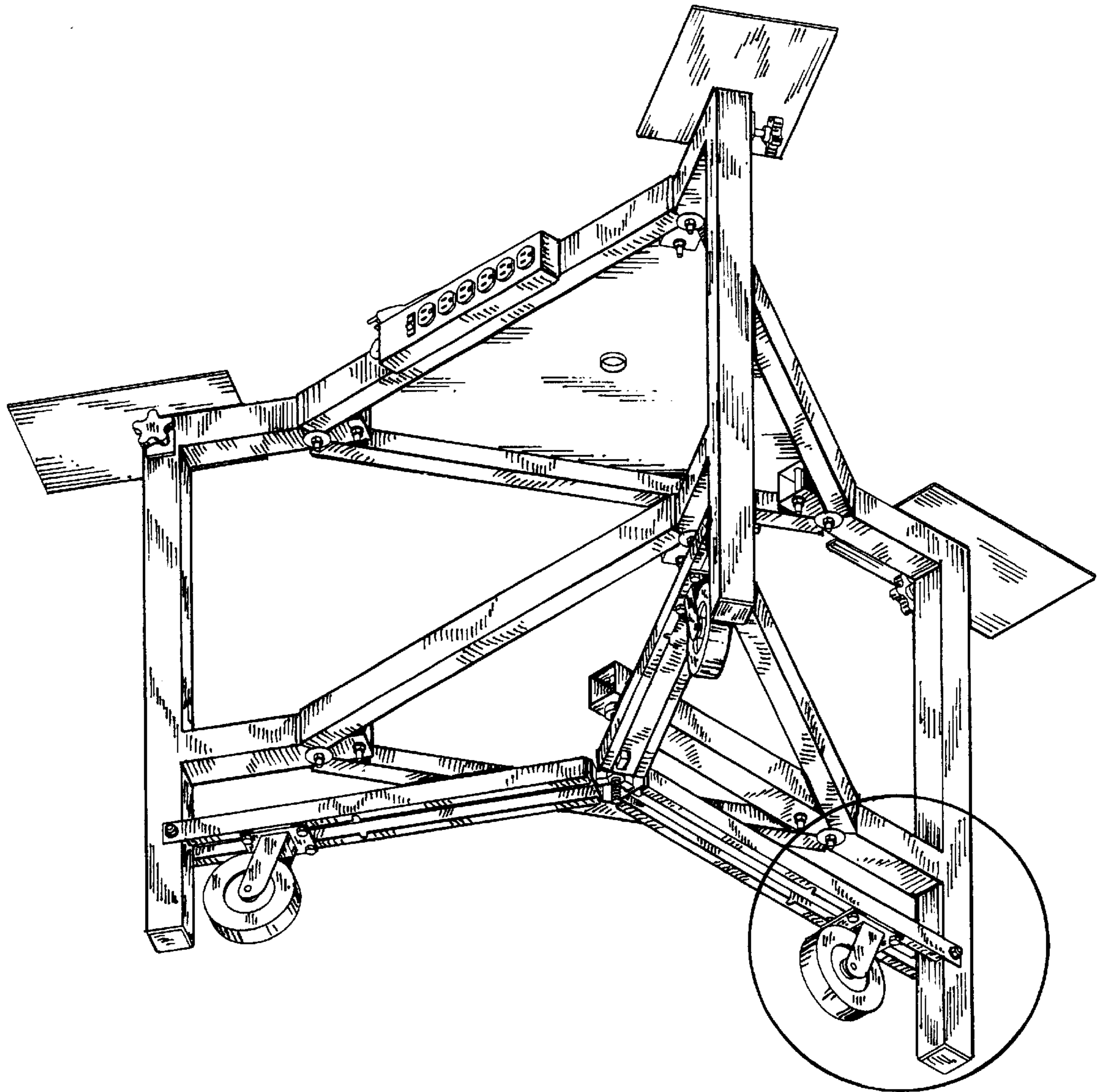


FIG. 10

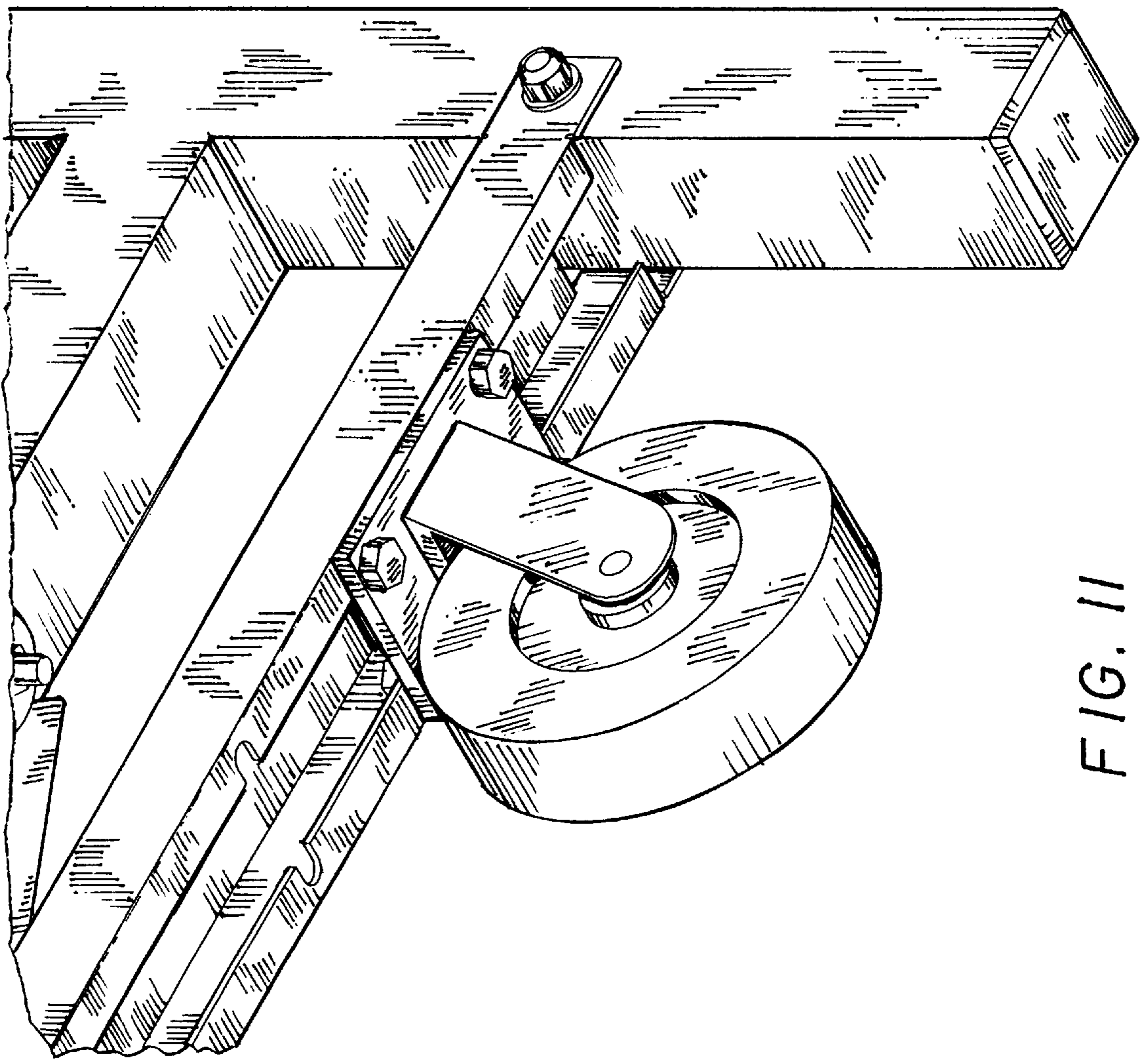


FIG. 11