



US00D442387S

(12) **United States Design Patent**
Jeghers

(10) **Patent No.:** **US D442,387 S**

(45) **Date of Patent:** **** May 22, 2001**

(54) **STAND FOR WORKING TABLE**

(75) **Inventor:** **Philippe Jeghers, Esneux (BE)**

(73) **Assignee:** **TDS Acior S.A., Liege (BE)**

(**) **Term:** **14 Years**

(21) **Appl. No.:** **29/114,857**

(22) **Filed:** **Dec. 3, 1999**

(30) **Foreign Application Priority Data**

Jun. 3, 1999 (XH) DM/049 111

(51) **LOC (7) Cl.** **06-06**

(52) **U.S. Cl.** **D6/400**

(58) **Field of Search** D6/480-489, 495,
D6/496, 499, 400, 429-431; D15/141; 108/147.11,
144.11, 147.19; 269/901; 144/286.1, 287

(56) **References Cited**

U.S. PATENT DOCUMENTS

D. 299,469 * 1/1989 Schneider et al. D15/141

D. 304,270 * 10/1989 Goldman D6/462

D. 374,996 * 10/1996 Noniewicz D6/400
4,114,665 * 9/1978 Decker 144/286.1

* cited by examiner

Primary Examiner—Janice E. Seeger

(74) *Attorney, Agent, or Firm*—Finnegan, Henderson,
Farabow, Garrett & Dunner, L.L.P.

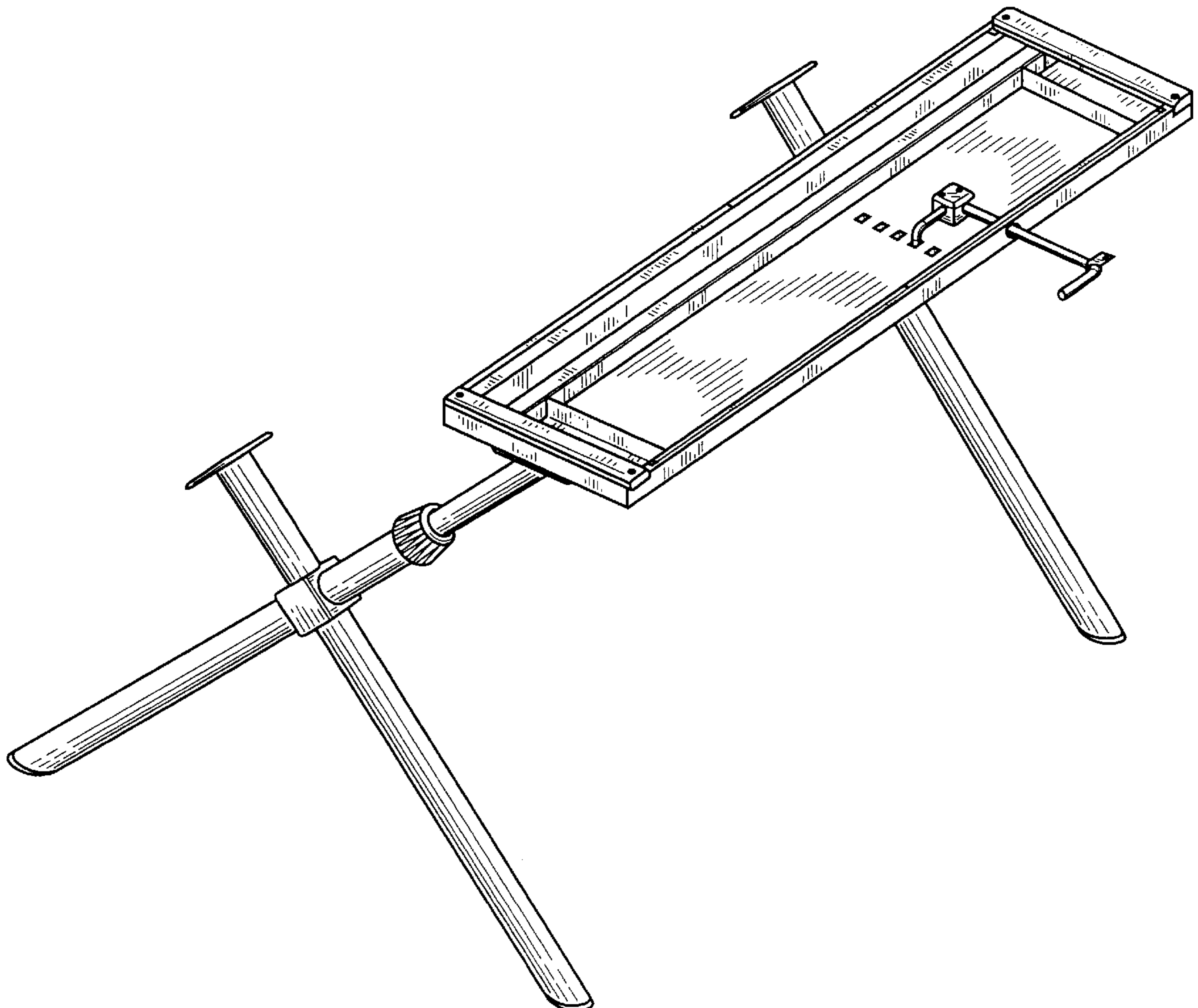
(57) **CLAIM**

The ornamental design for stand for working table, as shown
and described.

DESCRIPTION

FIG. 1 is a perspective view from the front of a stand for
working table showing my new design;
FIG. 2 is a perspective view from the rear thereof;
FIG. 3 is a left side elevational view thereof;
FIG. 4 is a right side elevational view thereof;
FIG. 5 is a front elevational view thereof;
FIG. 6 is a rear elevational view thereof;
FIG. 7 is a top view thereof; and,
FIG. 8 is a bottom view thereof.

1 Claim, 8 Drawing Sheets



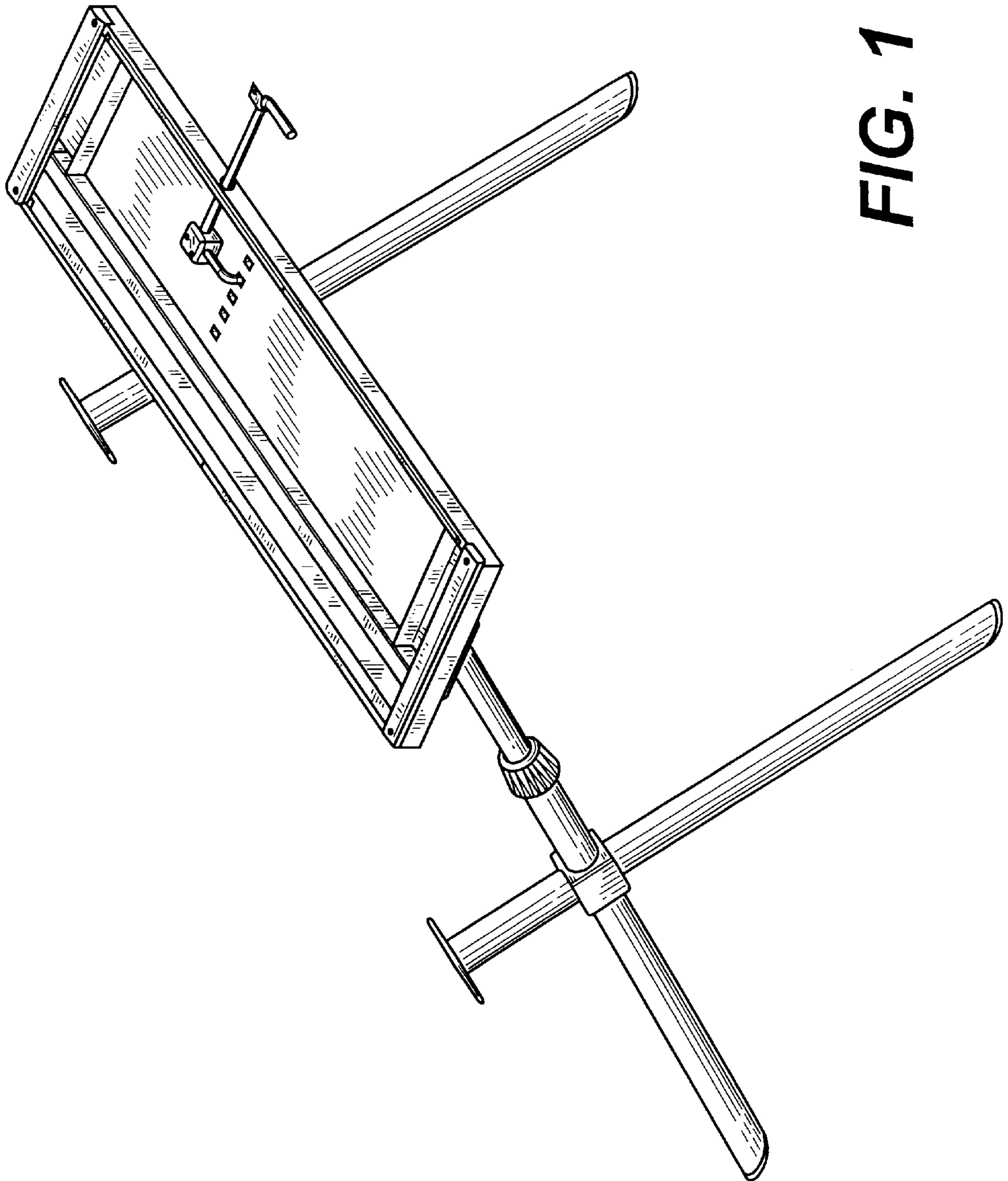


FIG. 1

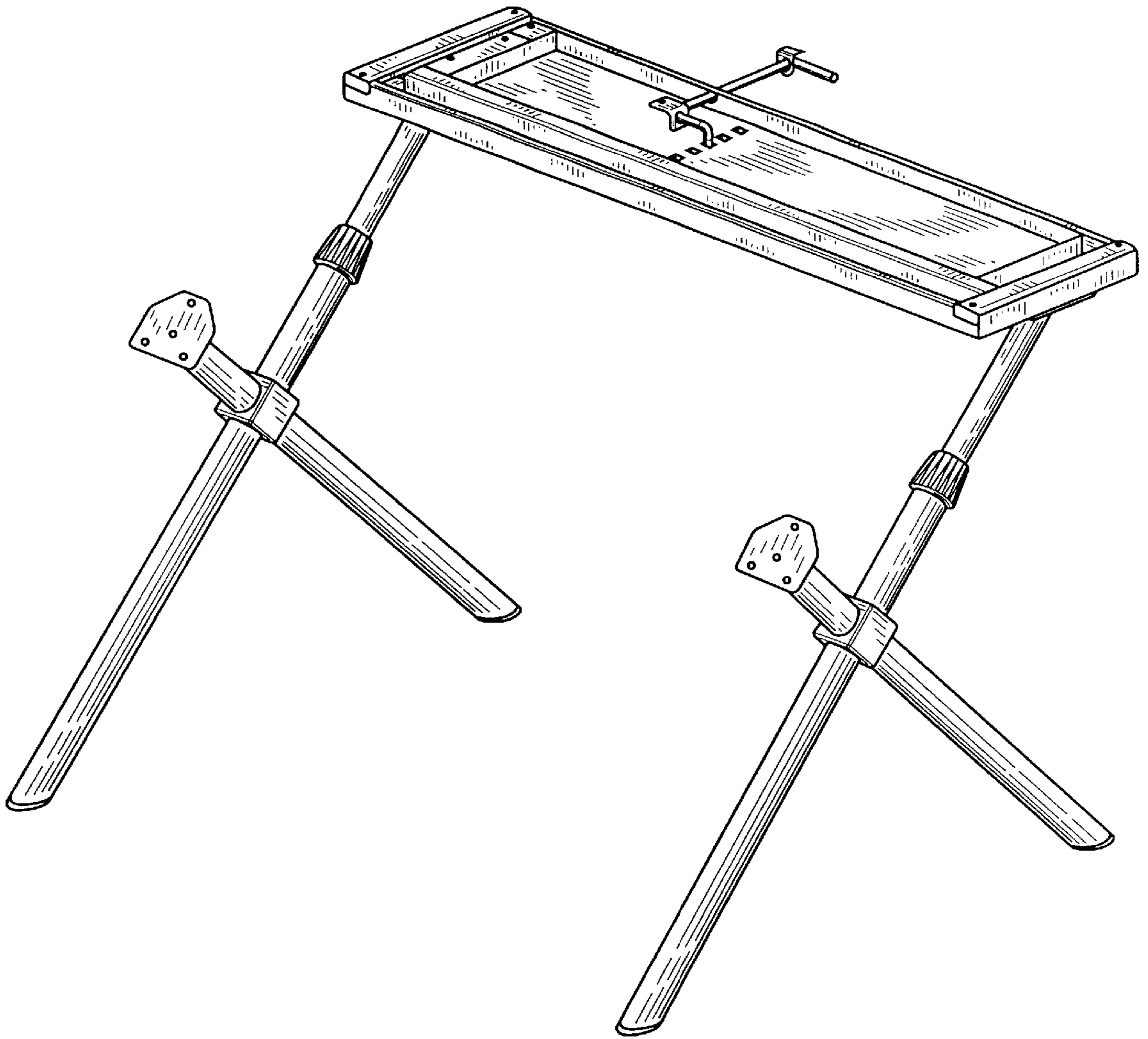


FIG. 2

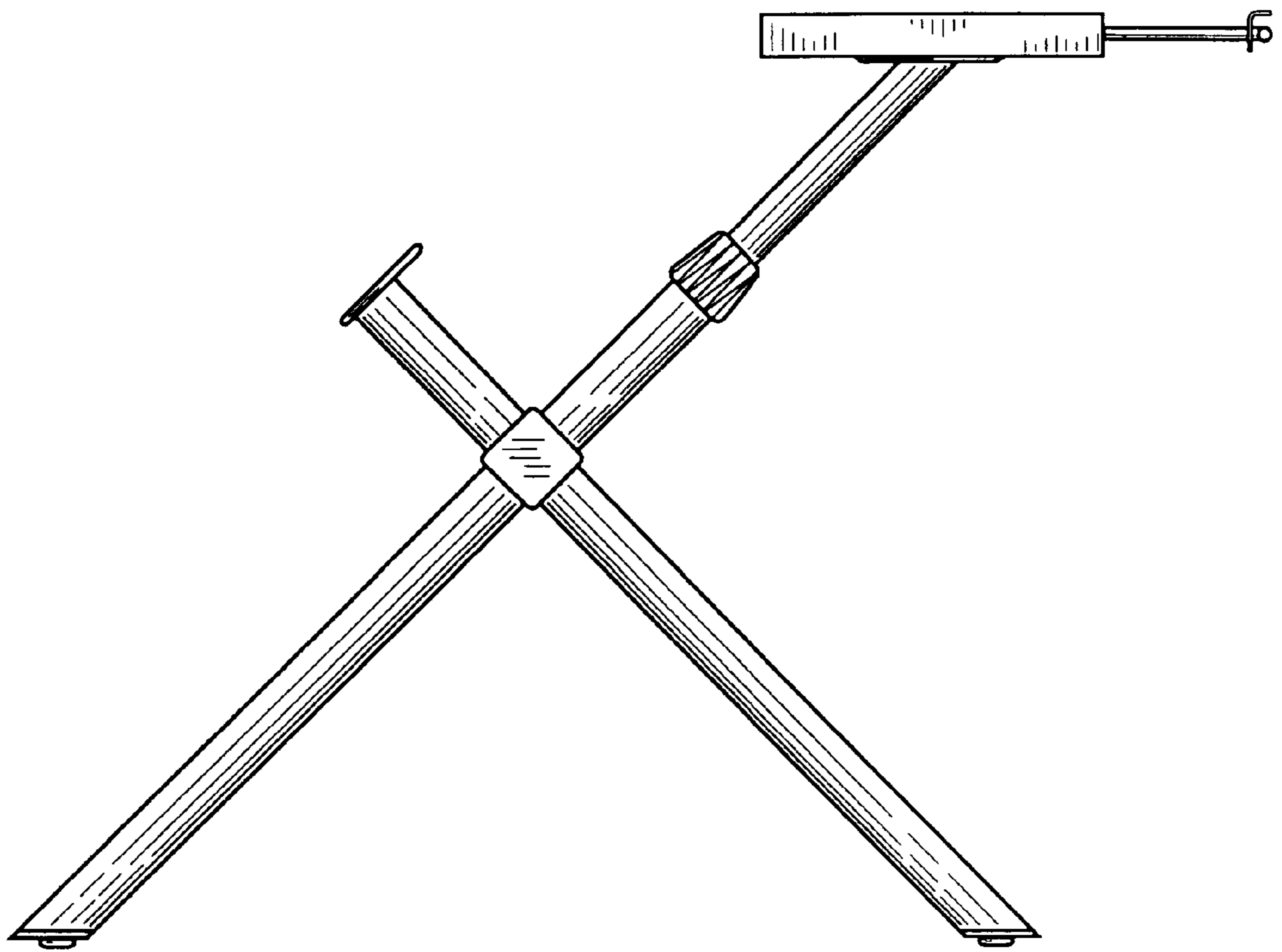


FIG. 3

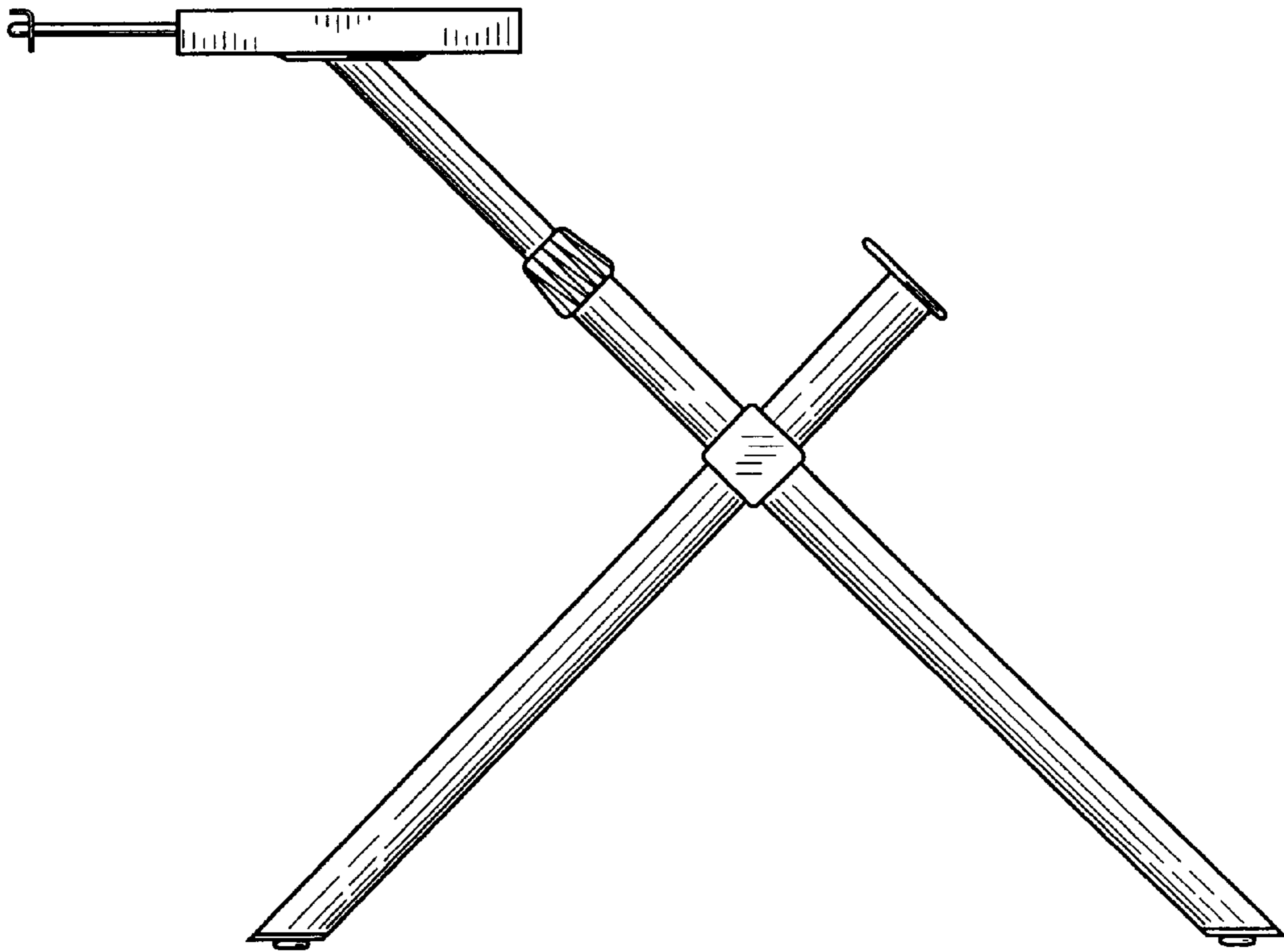


FIG. 4

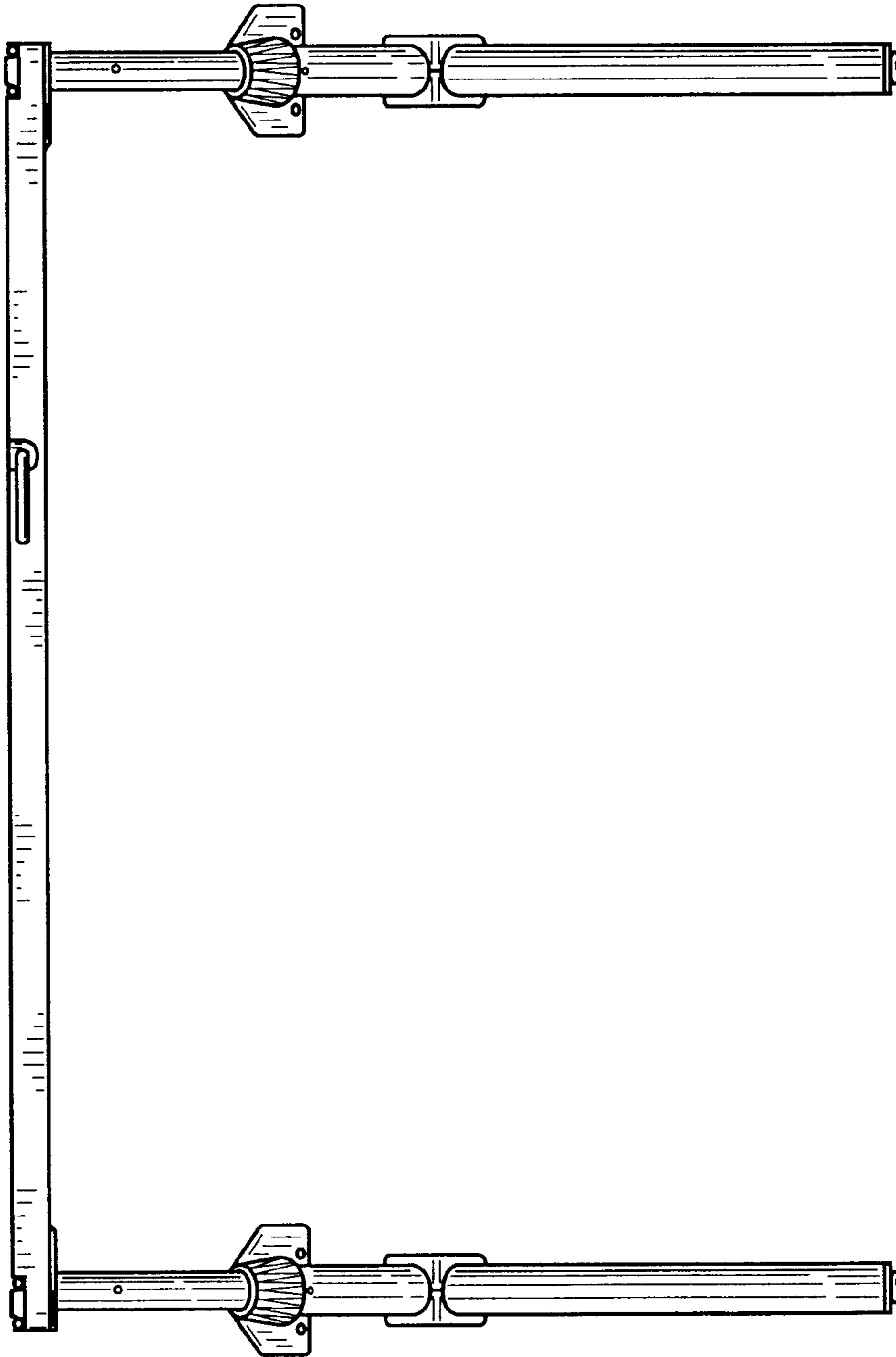


FIG. 5

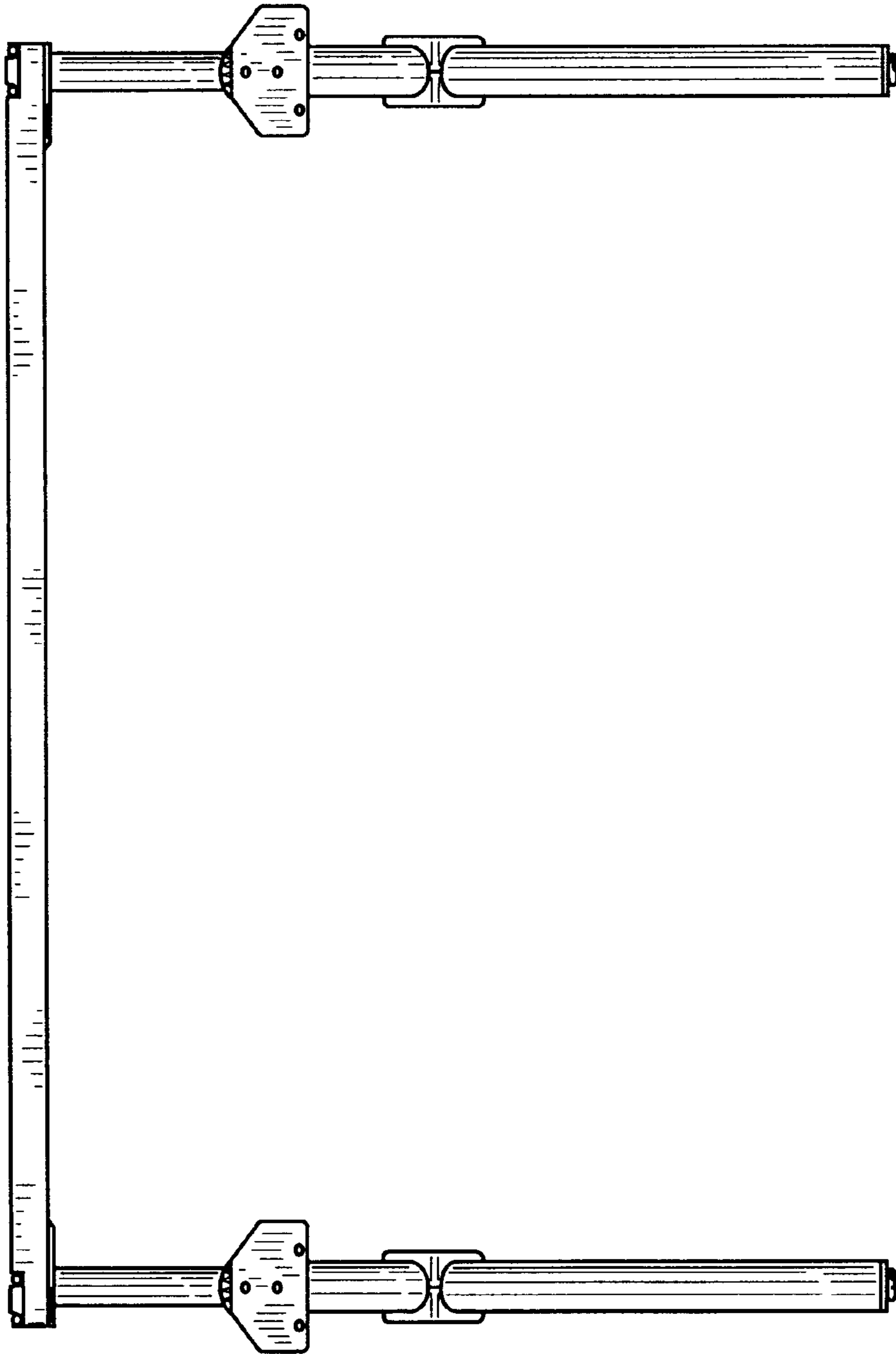


FIG. 6

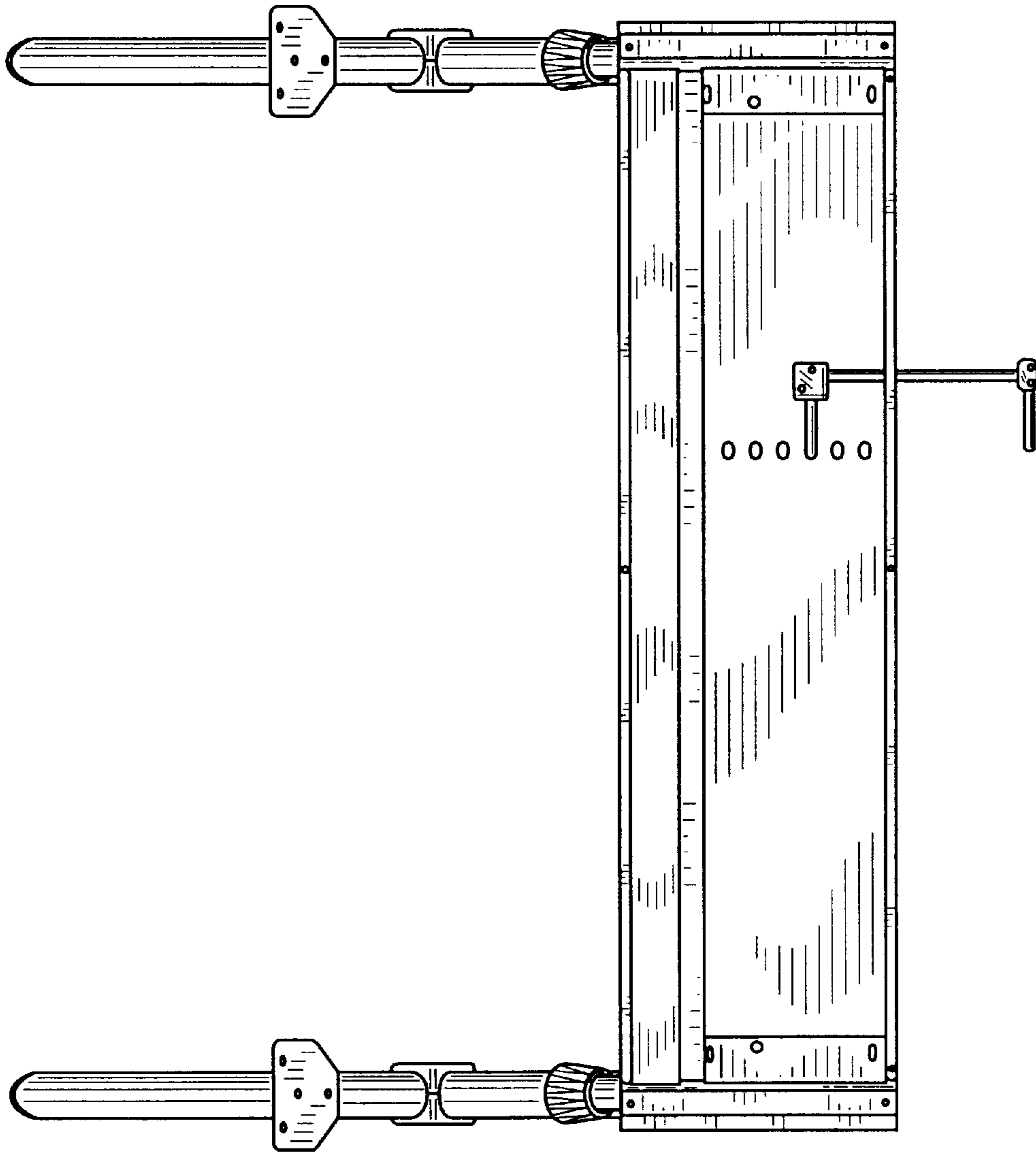


FIG. 7

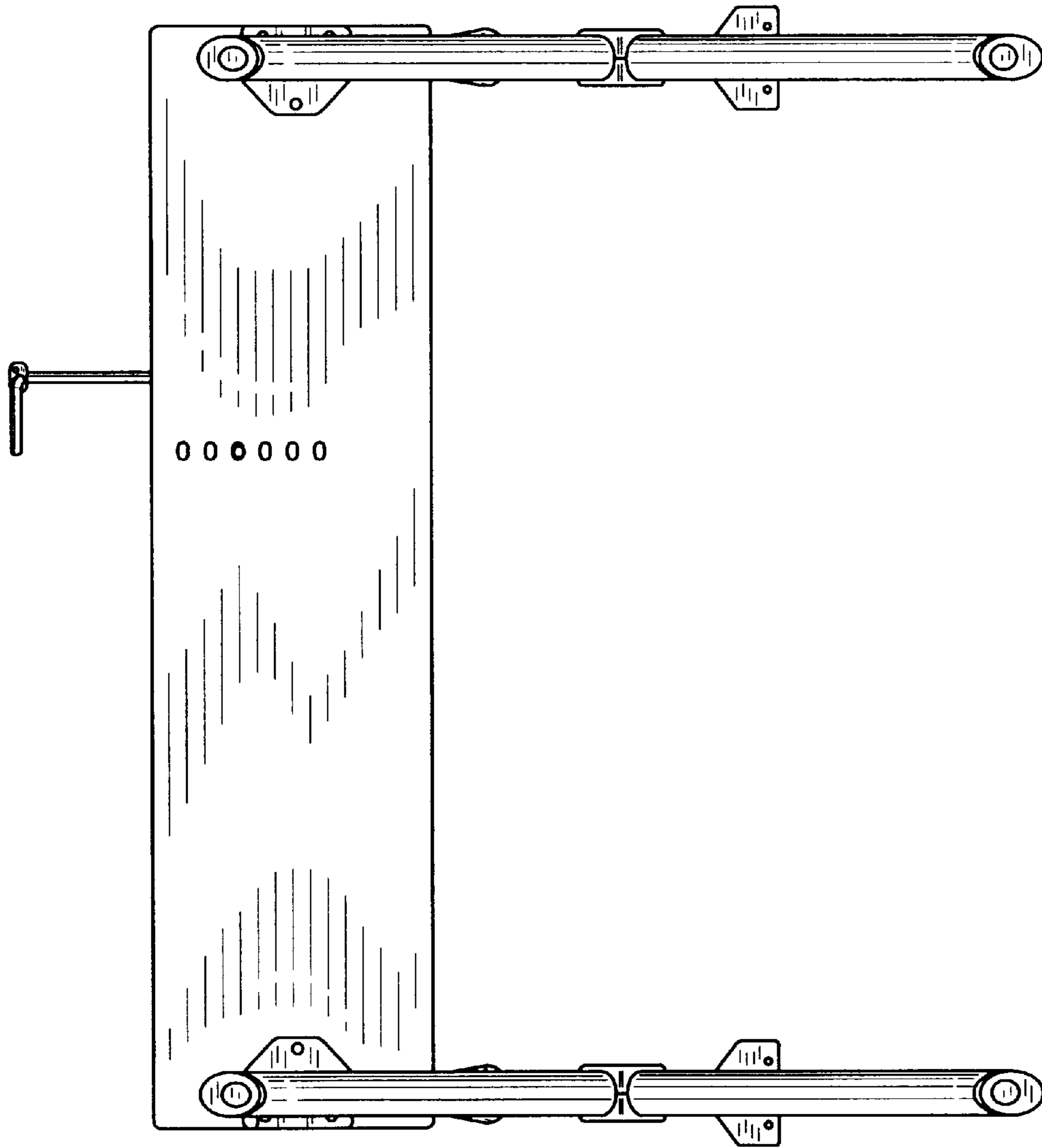


FIG. 8