



US00D442375S

(12) **United States Design Patent**  
**Stammberger**

(10) **Patent No.:** **US D442,375 S**

(45) **Date of Patent:** **\*\* May 22, 2001**

(54) **FURNITURE WITH CUP HOLDER**

(75) Inventor: **Rolf Stammberger**, Ebersdorf (DE)

(73) Assignee: **CinemaTech Seating, Inc.**, Addison, TX (US)

(\*\*) Term: **14 Years**

(21) Appl. No.: **29/105,743**

(22) Filed: **Jun. 1, 1999**

(30) **Foreign Application Priority Data**

Dec. 4, 1998 (DE) ..... 498 11 960

(51) **LOC (7) Cl.** ..... **06-01**

(52) **U.S. Cl.** ..... **D6/335**

(58) **Field of Search** ..... D6/334, 335, 336, D6/356, 360, 367, 371, 373, 379, 381, 500-502; 297/188.14, 232, 311, 313, 353, 354.1, 423.1, 145; D7/619, 624; D21/789, 791

(56) **References Cited**

**U.S. PATENT DOCUMENTS**

D. 395,960 \* 7/1998 Smith ..... D6/360

D. 395,961 \* 7/1998 Smith ..... D6/360  
4,719,764 \* 1/1988 Cook ..... 297/188.14 X  
5,104,182 \* 4/1992 Rasnick et al. .... 297/188.14  
5,911,472 \* 6/1999 Toth ..... 297/188.2

\* cited by examiner

*Primary Examiner*—Cathron Brooks

*Assistant Examiner*—Mimosa De

(74) *Attorney, Agent, or Firm*—Standley & Gilcrest LLP

(57) **CLAIM**

The ornamental design for a furniture with cup holder, as shown and described.

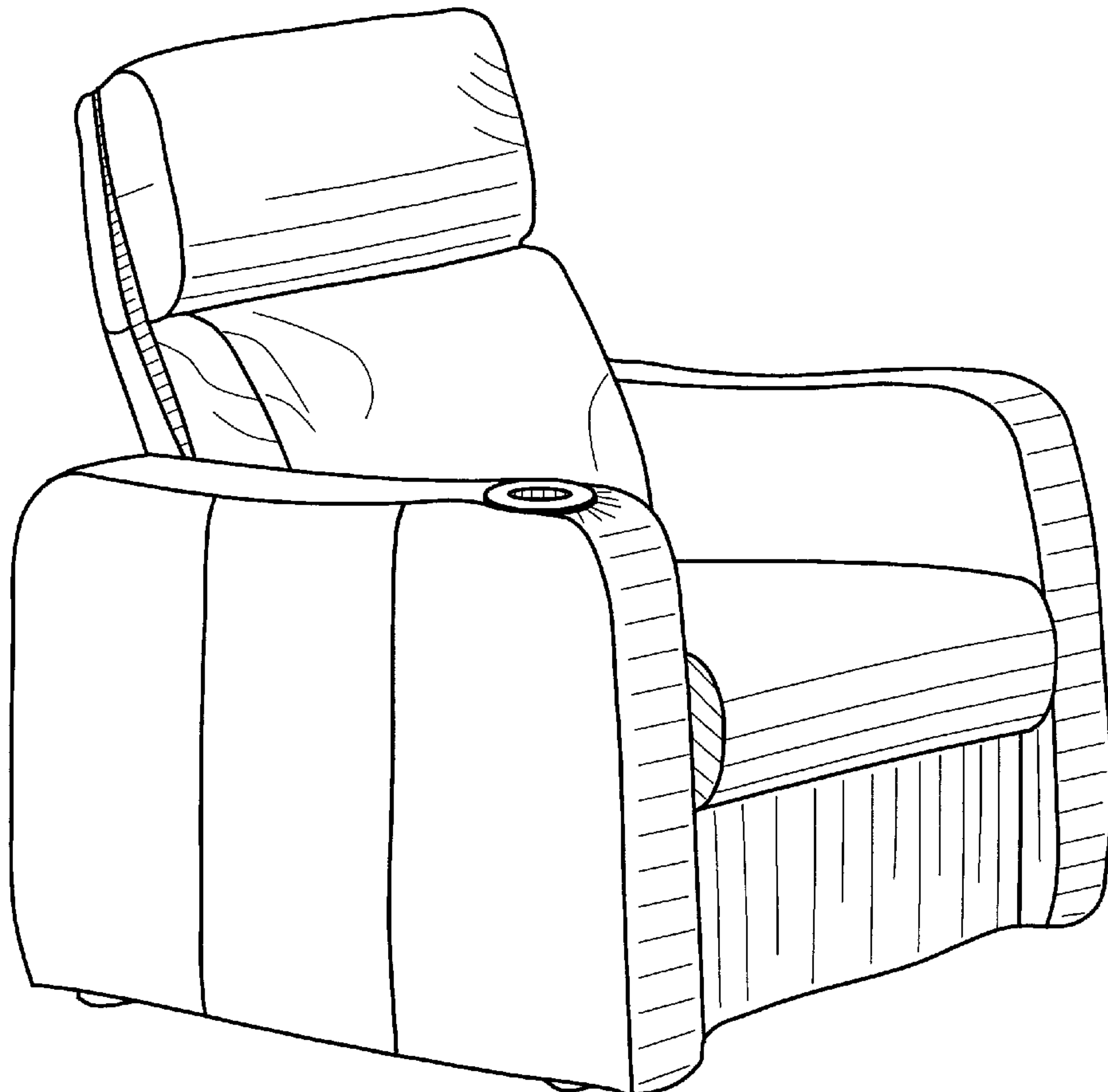
**DESCRIPTION**

FIG. 1 is a perspective view of a furniture with cup holder located in the armrest of a chair; and,

FIG. 2 is a front view of a furniture with cup holder, shown with a plurality of connected chairs.

The broken line showing of the two outer chairs in FIG. 2 is for illustrative purposes only and forms no part of the claimed design.

**1 Claim, 2 Drawing Sheets**



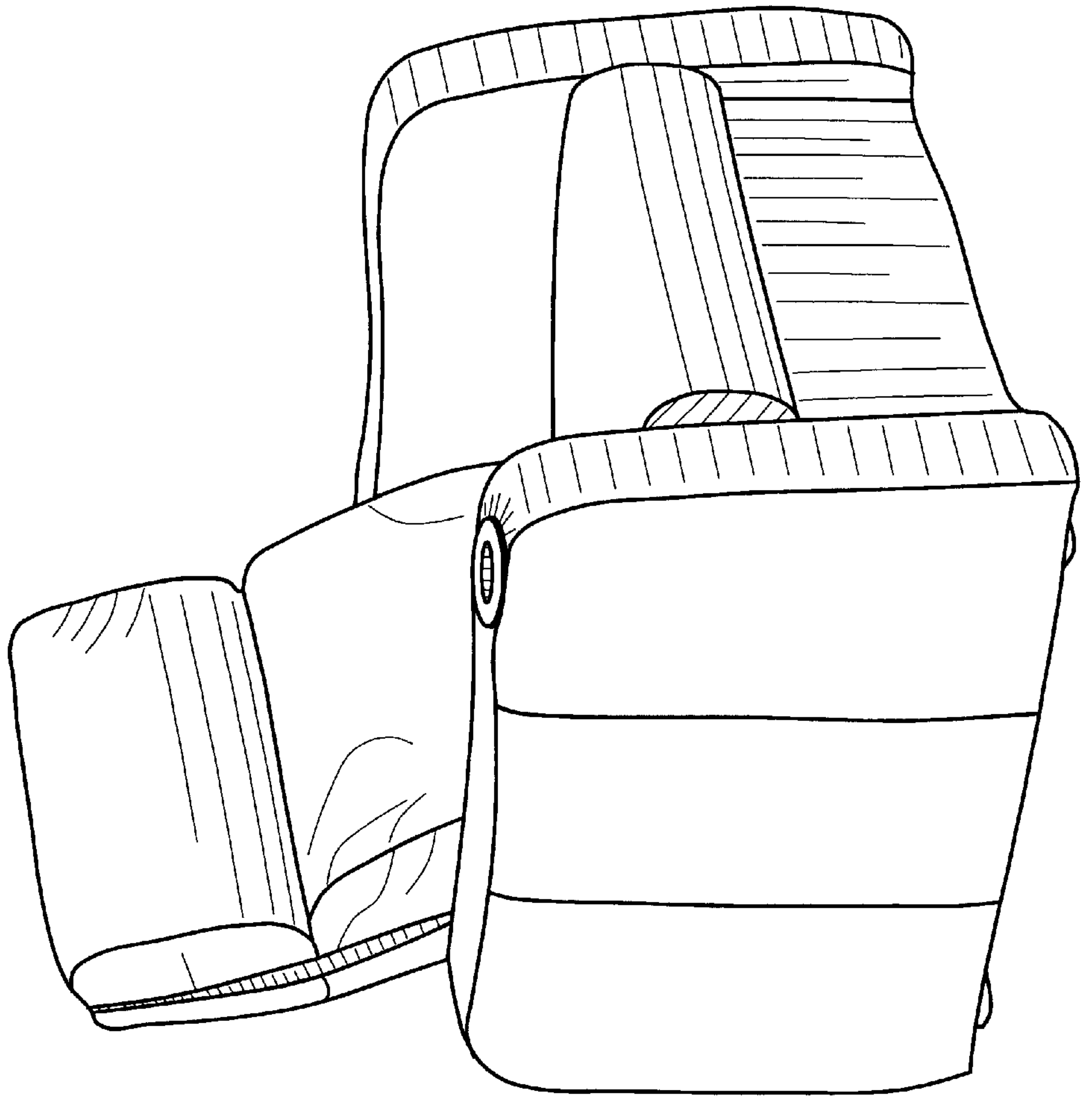
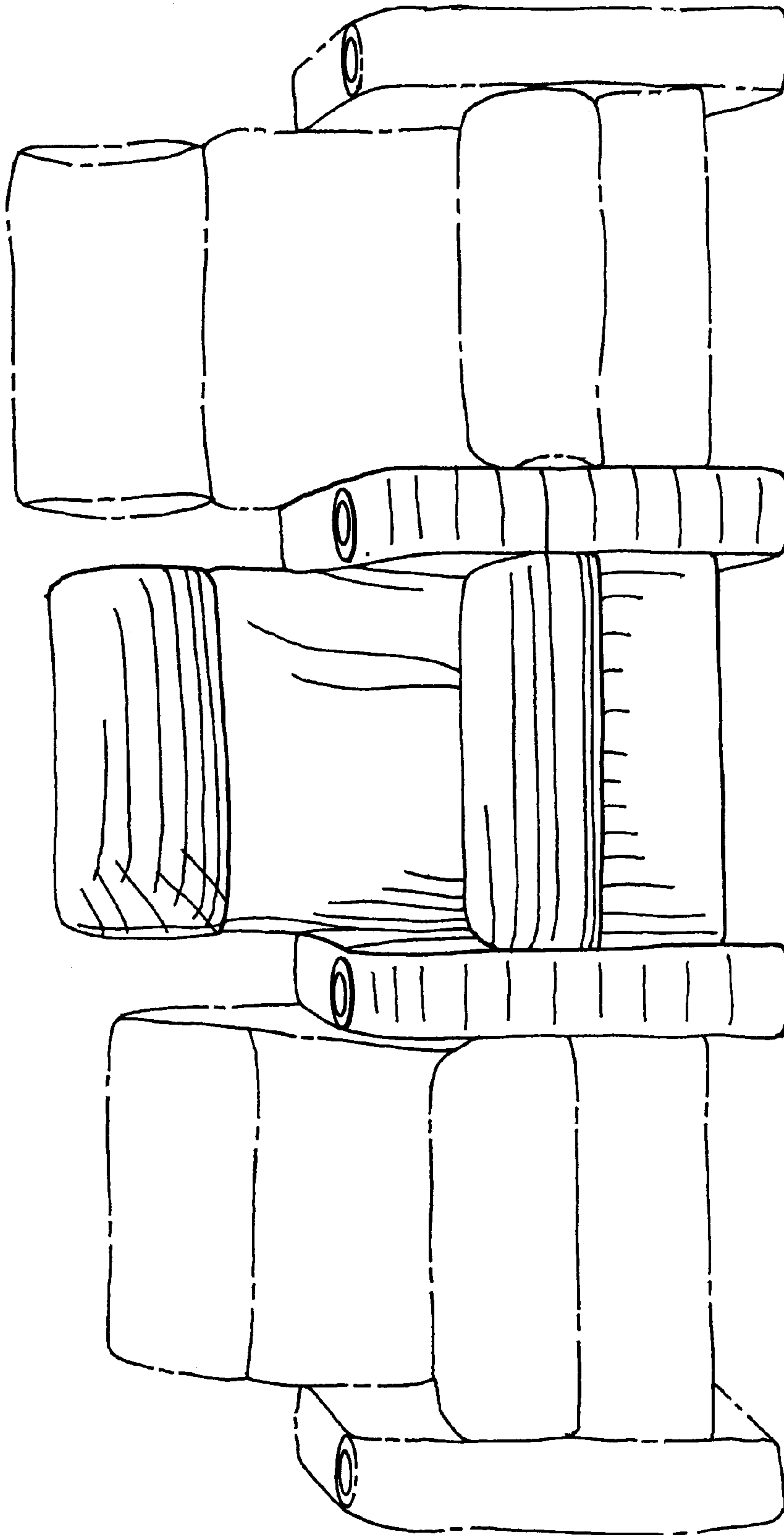


FIGURE 1



*Fig. 2*