



US00D442374S

(12) **United States Design Patent**
Hutton

(10) **Patent No.:** **US D442,374 S**

(45) **Date of Patent:** **** May 22, 2001**

(54) **CHAIR**

(75) Inventor: **John Hutton**, West Islip, NY (US)

(73) Assignee: **Donghia Furniture/Textiles Ltd.**, New York, NY (US)

(**) Term: **14 Years**

(21) Appl. No.: **29/114,689**

(22) Filed: **Nov. 29, 1999**

(51) **LOC (7) Cl.** **06-01**

(52) **U.S. Cl.** **D6/334**

(58) **Field of Search** D6/334, 335, 364,
D6/373, 374, 375, 381, 500, 501, 502;
297/445.1

(56) **References Cited**

U.S. PATENT DOCUMENTS

- D. 109,425 * 4/1938 Salomon D6/373
- D. 275,342 * 9/1984 Fister, Jr. D6/364

- D. 384,827 * 10/1997 Hutton D6/334
- D. 433,825 * 11/2000 Piretti D6/334
- D. 437,142 * 2/2001 Hutton D6/381

* cited by examiner

Primary Examiner—Gary D. Watson

(74) *Attorney, Agent, or Firm*—Heslin & Rothenberg, P.C.

(57) **CLAIM**

The ornamental design for a chair, as shown and described.

DESCRIPTION

FIG. 1 is a front elevational view of the chair comprising my new design;
 FIG. 2 is a right side elevational view thereof, the opposite side elevational view being a mirror image thereof;
 FIG. 3 is a top plan view thereof; and,
 FIG. 4 is a rear elevational view thereof.
 The broken lines shown are for illustrative purposes only and form no part of the claimed design.

1 Claim, 1 Drawing Sheet

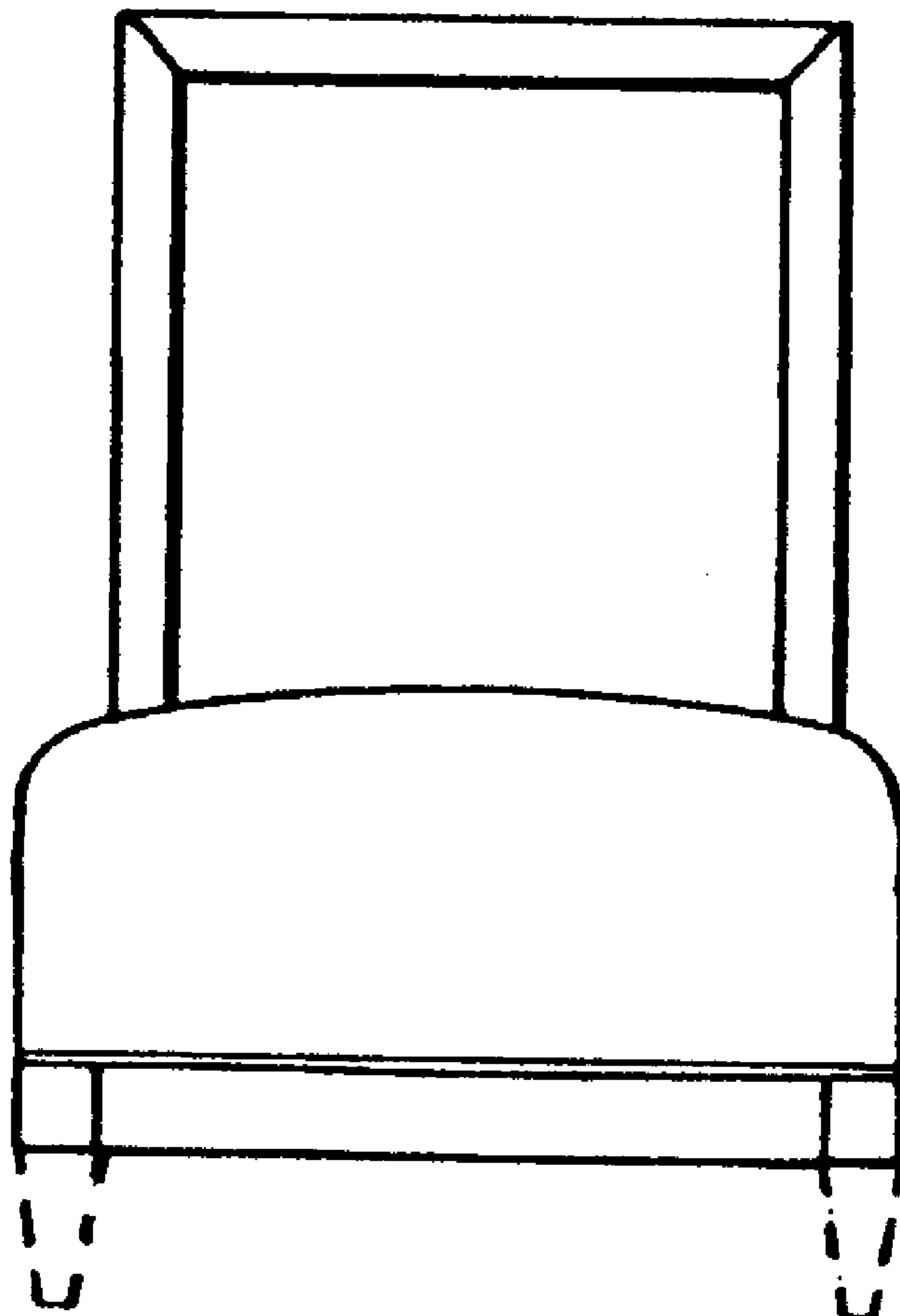


FIG. 3

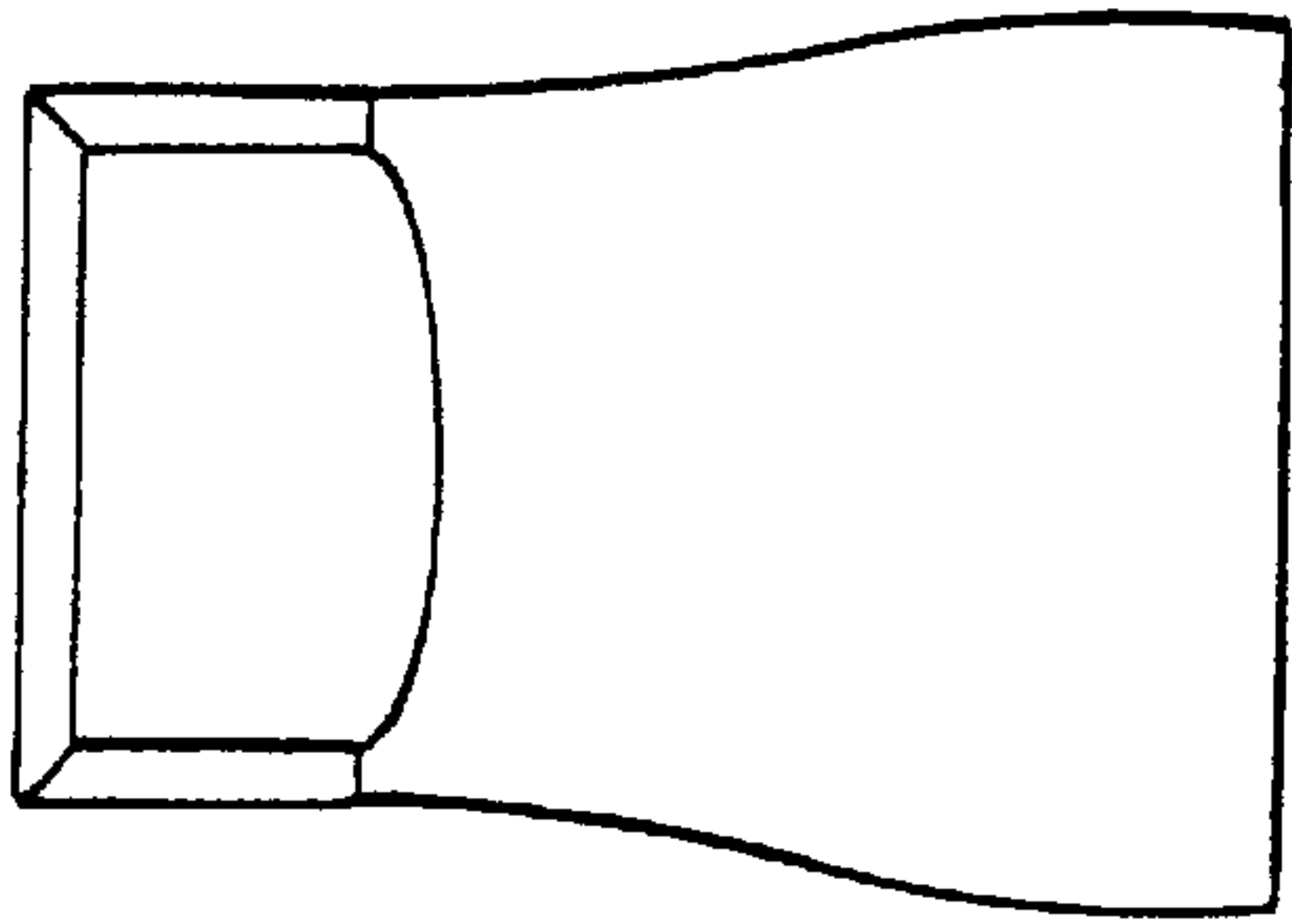


FIG. 1

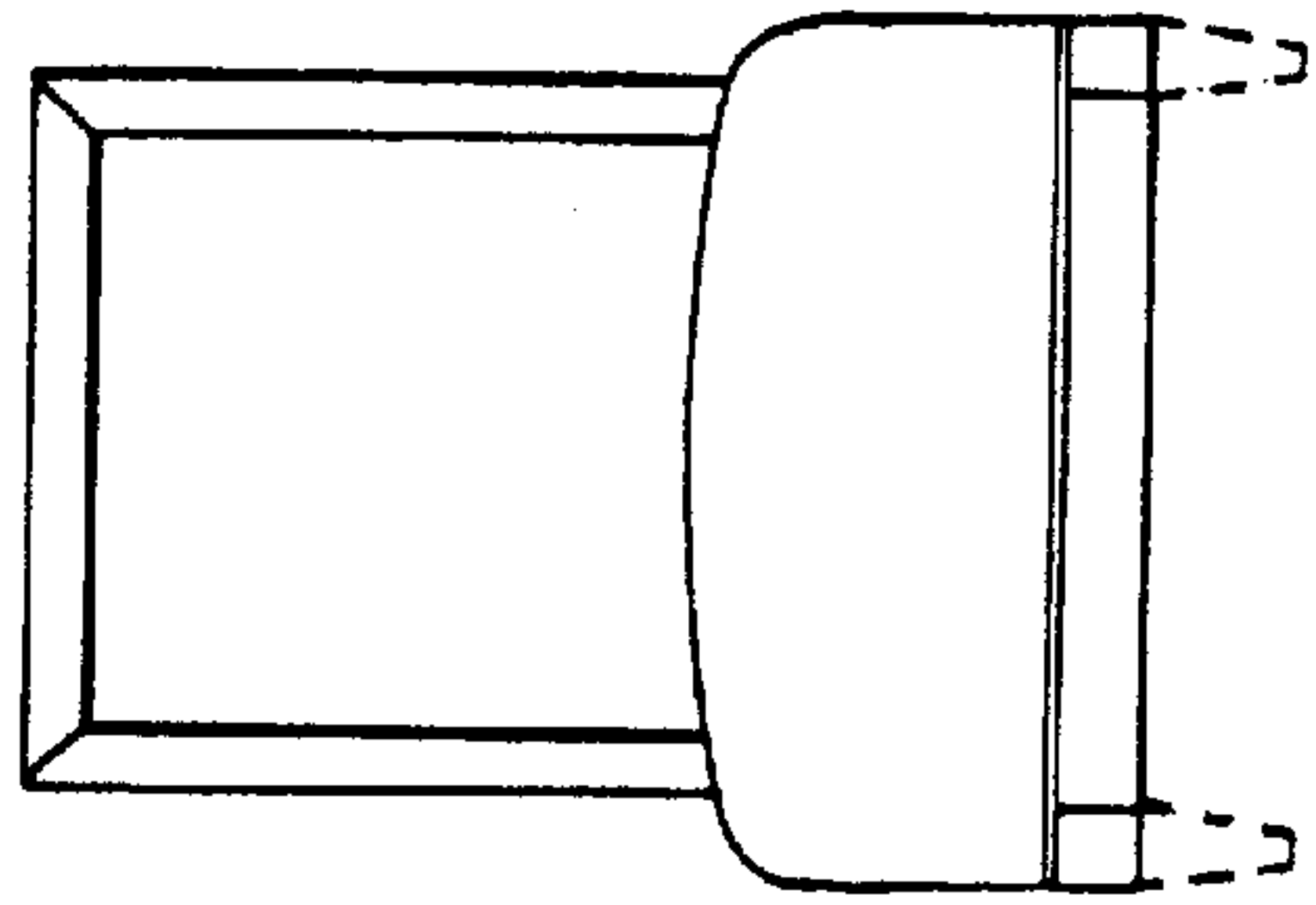


FIG. 2

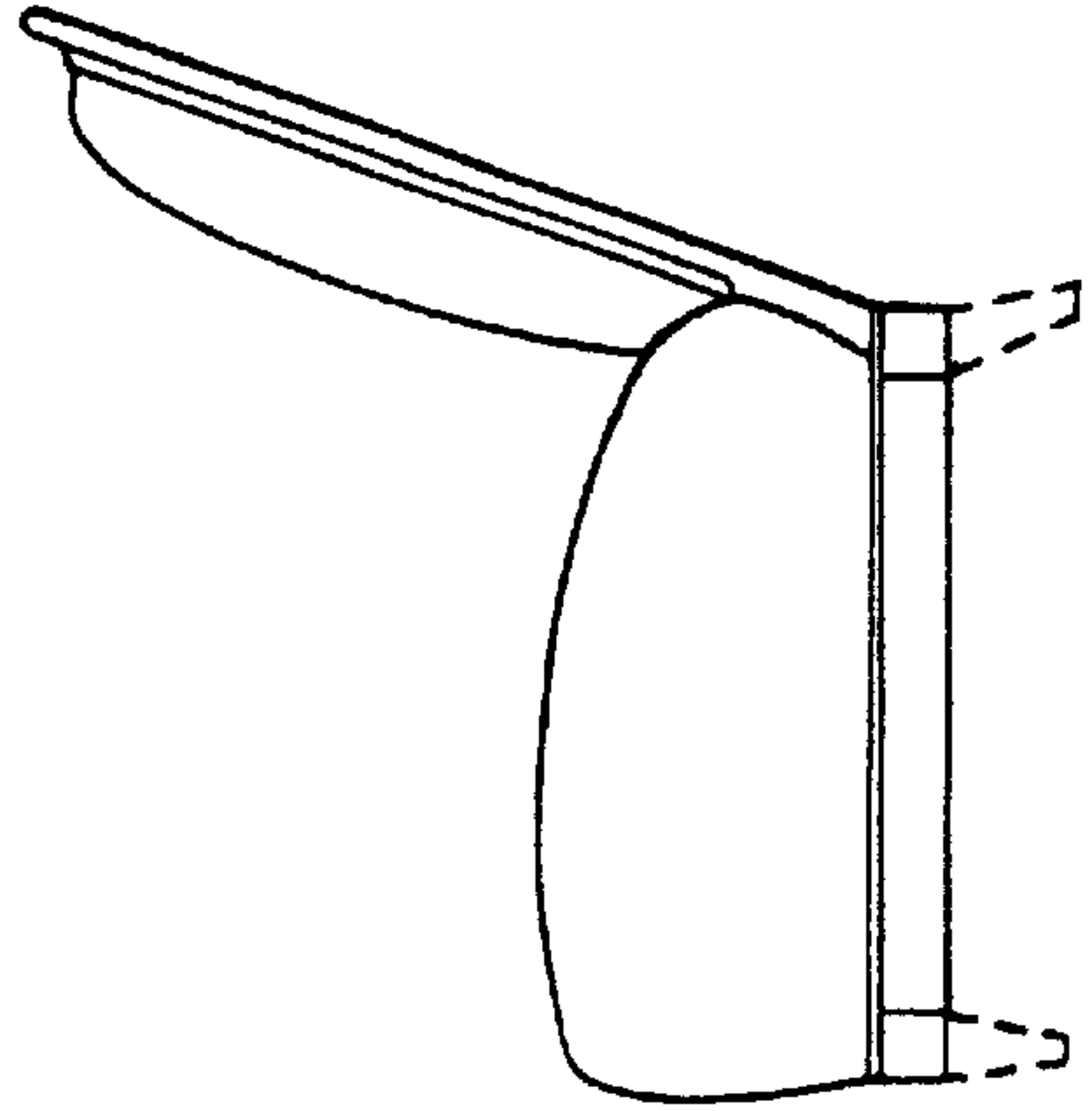


FIG. 4

