



US00D442372S

(12) **United States Design Patent**  
**Ling et al.**

(10) **Patent No.:** **US D442,372 S**

(45) **Date of Patent:** **\*\* May 22, 2001**

(54) **GARMENT HANGER**

2,656,079 \* 10/1953 Helwig .  
4,609,132 \* 9/1986 Brokenshire ..... 223/96

(76) Inventors: **Johnson Ling**, 10911 Rosecroft  
Crescent, Richmond, British Columbia  
(CA), V7A 2J2; **Paul Wu**, 6051 Alta  
Court, Richmond, British Columbia  
(CA), V7C 4A2

**OTHER PUBLICATIONS**

Coronet Cat. No. 731; p. 16; hanger artikel—Nr.—  
77310050 (top of page).\*

(\*\*) Term: **14 Years**

\* cited by examiner

(21) Appl. No.: **29/124,547**

*Primary Examiner*—B. J. Bullock

(22) Filed: **Jun. 8, 2000**

(57) **CLAIM**

(51) **LOC (7) Cl.** ..... **06-08**

The ornamental design for a garment hanger, as shown and  
described.

(52) **U.S. Cl.** ..... **D6/326**

**DESCRIPTION**

(58) **Field of Search** ..... D6/315, 326; D8/395;  
223/85, 91, 93, 96

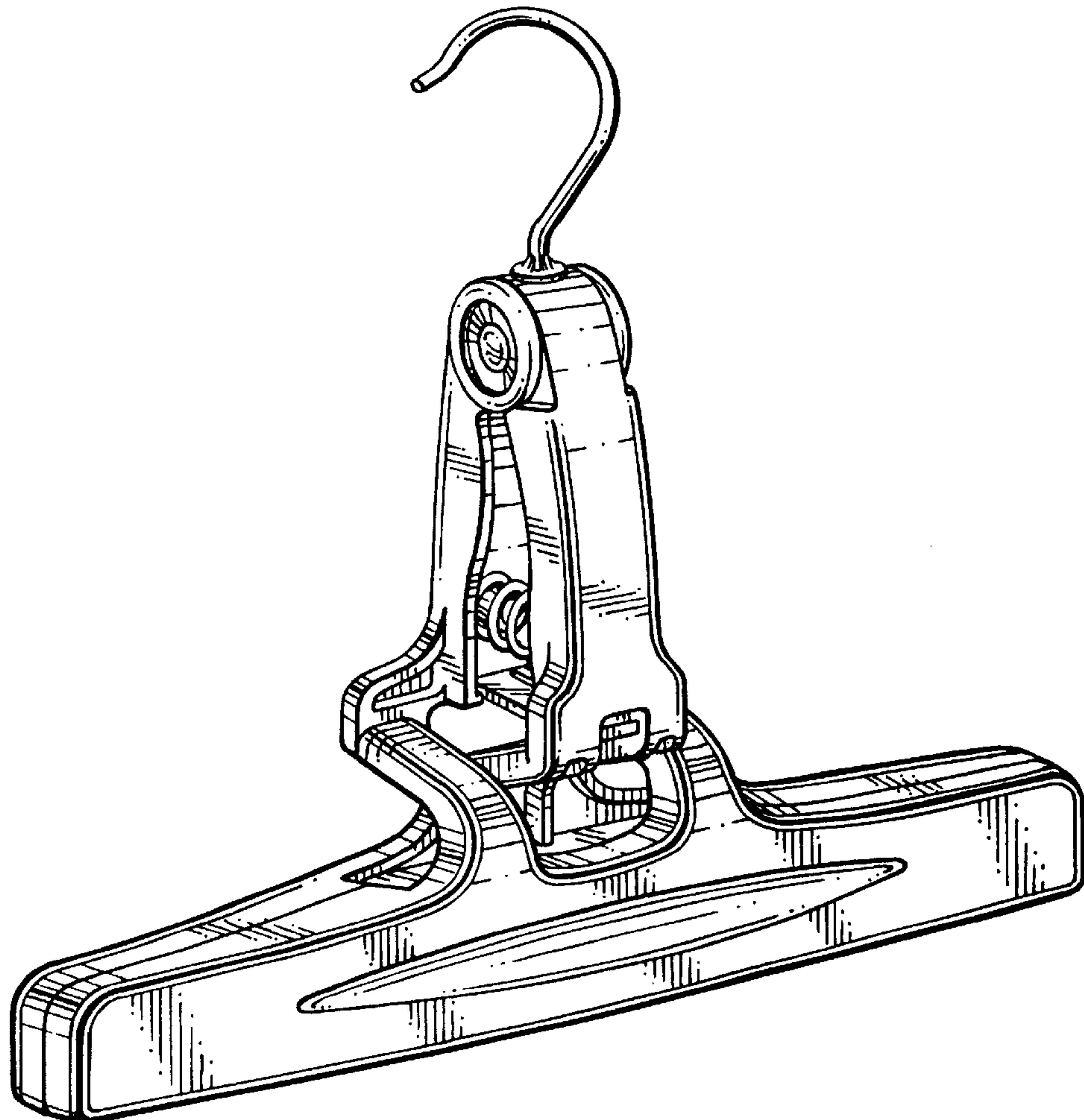
FIG. 1 shows a view in perspective of a garment hanger;  
FIG. 2 shows a top plan view thereof;  
FIGS. 3 and 4 show views in elevation of opposite sides  
thereof; and,  
FIGS. 5 and 6 show views in elevation of opposite ends  
thereof.

(56) **References Cited**

**U.S. PATENT DOCUMENTS**

D. 279,527 \* 7/1985 Peterson ..... D6/326  
D. 323,247 \* 1/1992 Chen ..... D6/326  
2,200,669 \* 5/1940 Cook .

**1 Claim, 4 Drawing Sheets**



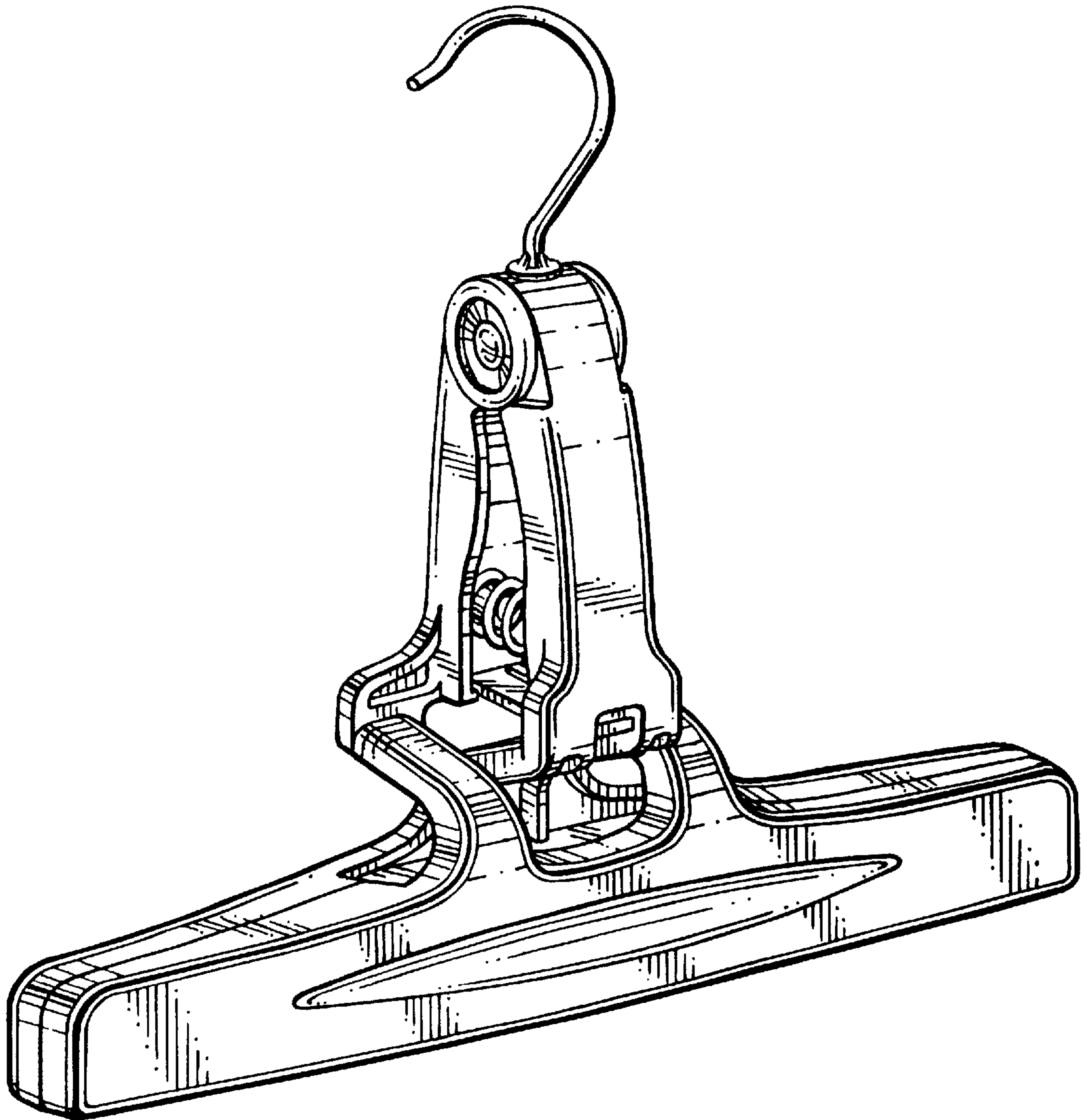


FIG. 1

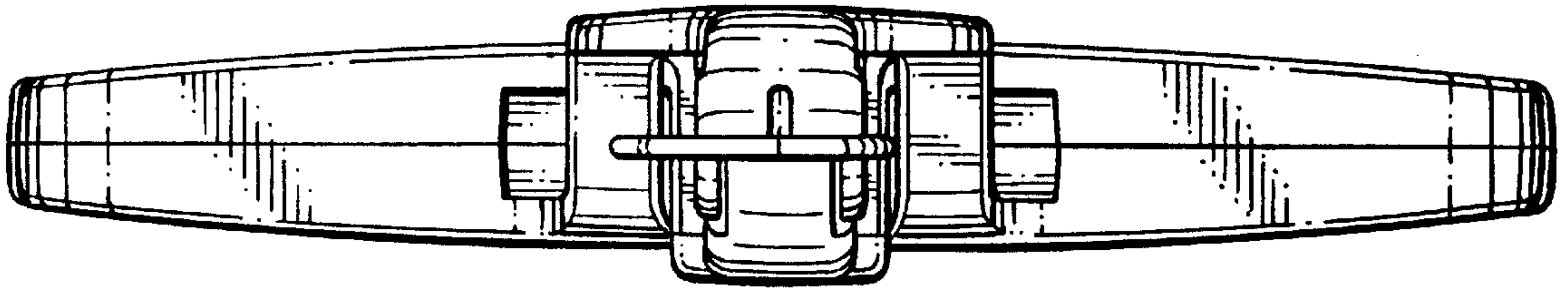


FIG. 2

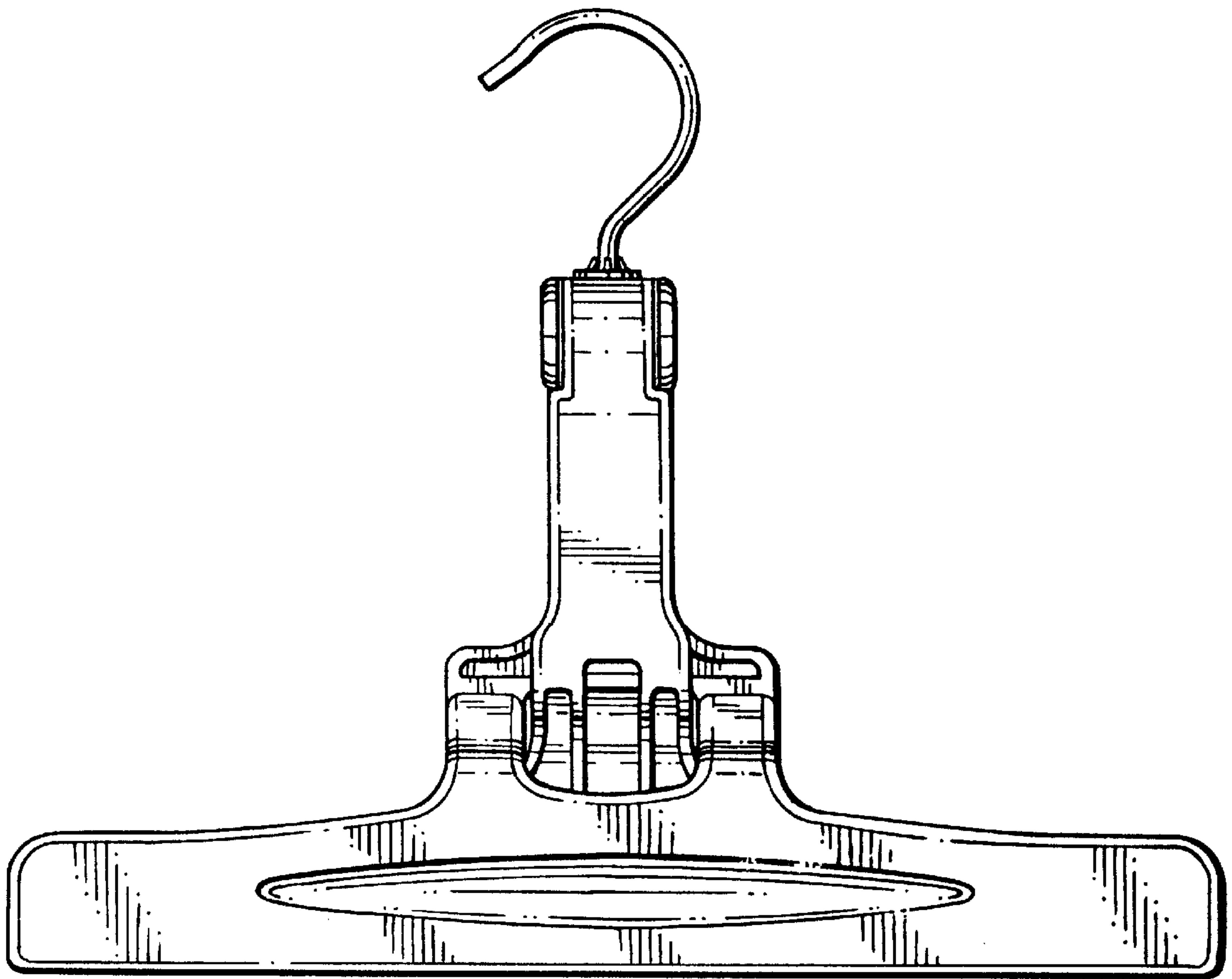


FIG. 3

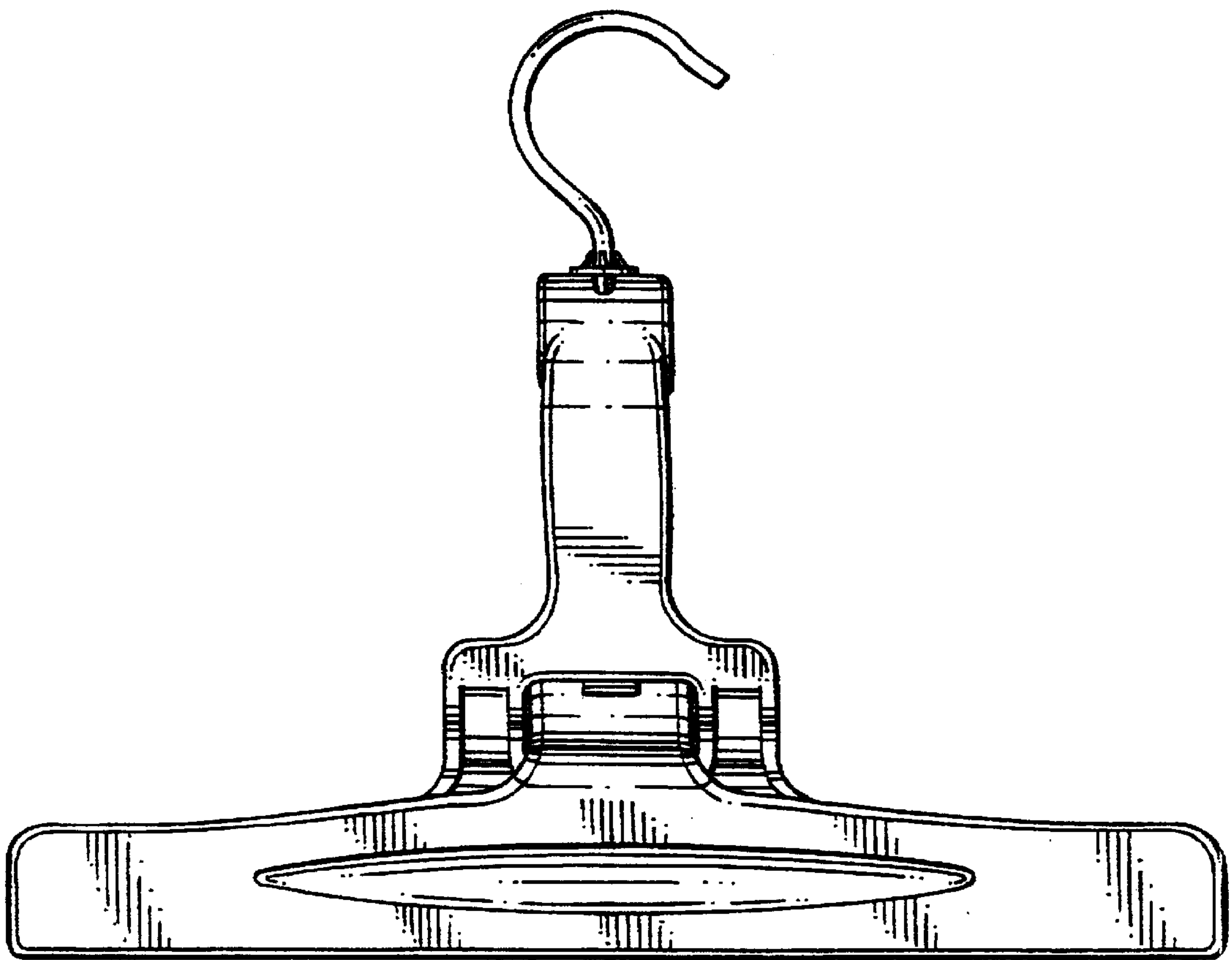
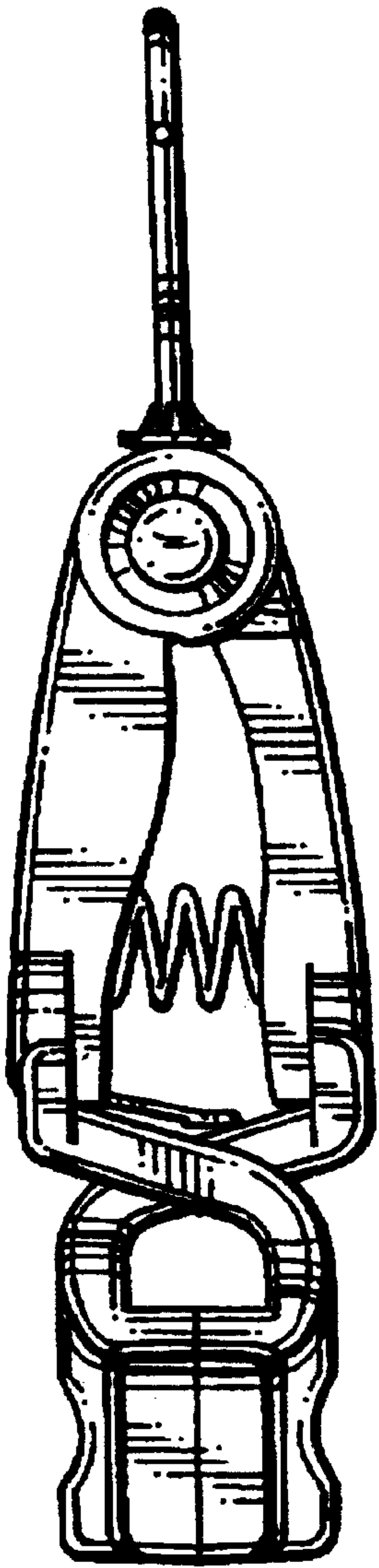
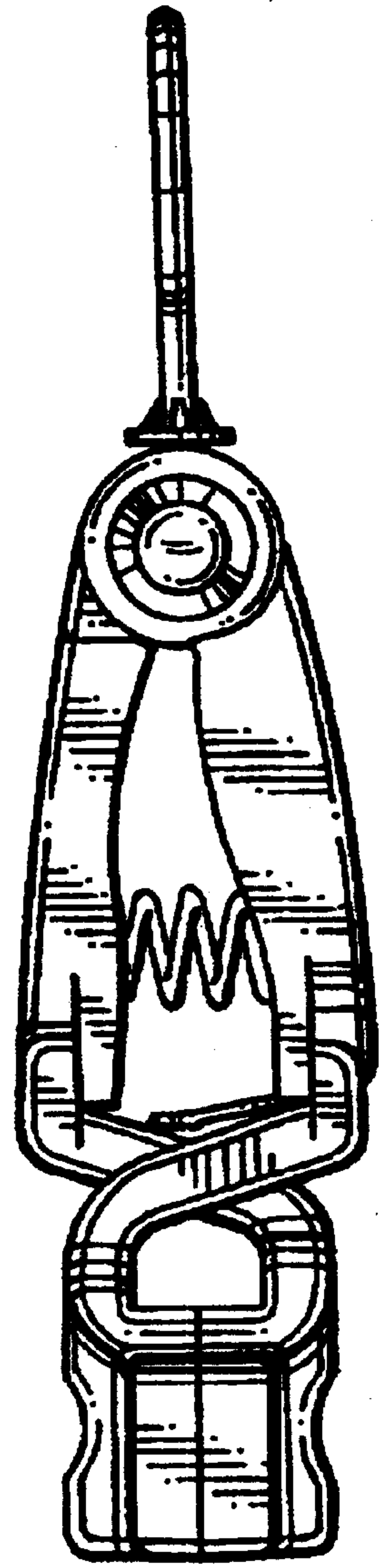


FIG. 4



**FIG. 5**



**FIG. 6**