



US00D442371S

(12) **United States Design Patent** (10) **Patent No.:** **US D442,371 S**
Eberts (45) **Date of Patent:** **** May 22, 2001**

(54) **MIRROR**

(75) Inventor: **Allen F. Eberts**, Batavia, IL (US)

(73) Assignee: **The TonJon Company**, Aurora, IL (US)

(**) Term: **14 Years**

(21) Appl. No.: **29/115,807**

(22) Filed: **Dec. 21, 1999**

(51) **LOC (7) Cl.** **06-07**

(52) **U.S. Cl.** **D6/312; D6/308; D6/309**

(58) **Field of Search** **D6/300-314; 40/711, 40/714-716, 739, 743, 765, 780, 790, 798; 359/879, 871, 872, 876; D28/78, 64.3; 132/296, 305, 301; 248/466, 469, 472**

(56) **References Cited**

U.S. PATENT DOCUMENTS

14,503	3/1856	Neighbour .	
D. 112,432	* 12/1938	Bohn	D6/308
D. 163,481	* 5/1951	Rauh	D6/308
D. 254,208	* 2/1980	Breslow	D6/309
D. 424,751	* 5/2000	Kudo et al.	D28/78
D. 425,313	* 5/2000	Zadro	D6/309
433,708	8/1890	Wiederer .	
1,206,720	11/1916	Lane .	
1,216,979	2/1917	Freed .	
1,248,284	11/1917	Dickenson .	
1,507,117	9/1924	Johnson .	
1,541,451	6/1925	Wallace .	
1,583,120	5/1926	Brenner .	
2,770,387	11/1956	Loween	220/18
3,185,831	5/1965	Ray et al.	240/6.45
5,832,941	11/1998	Murillo	132/316

* cited by examiner

Primary Examiner—Janice E. Seeger

(74) *Attorney, Agent, or Firm*—Wallenstein & Wagner, Ltd.

(57) **CLAIM**

The ornamental Design for a mirror, as shown and described.

DESCRIPTION

FIG. 1 is a perspective view of a mirror showing my new design in the open, extended position;
 FIG. 2 is a side elevation view thereof in the open, extended position, the other side elevation view being a mirror image thereof;
 FIG. 3 is a front elevation view thereof in the open, extended position;
 FIG. 4 is a rear elevation view thereof in the open, extended position;
 FIG. 5 is a top plan view thereof in the open, extended position;
 FIG. 6 is a bottom plan view thereof in the open, extended position;
 FIG. 7 is a perspective view of the mirror in the closed, folded position;
 FIG. 8 is a side elevation view thereof in the closed, folded position, the other side elevation view being a mirror image thereof;
 FIG. 9 is a front elevation view thereof in the closed, folded position;
 FIG. 10 is a rear elevation view thereof in the closed, folded position;
 FIG. 11 is a top plan view thereof in the closed, folded position; and,
 FIG. 12 is a bottom plan view thereof in the closed, folded position.

1 Claim, 5 Drawing Sheets

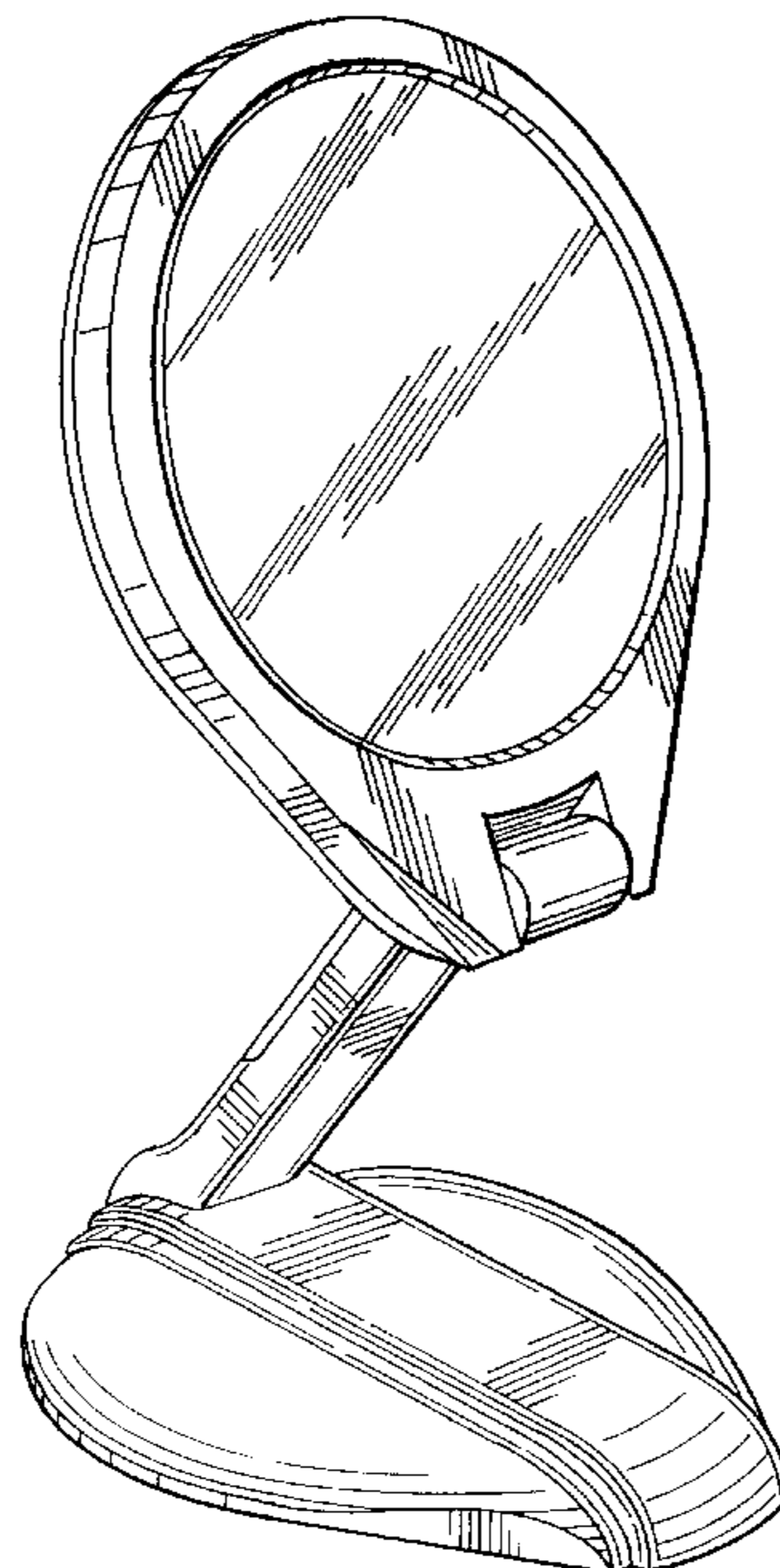


FIG.2

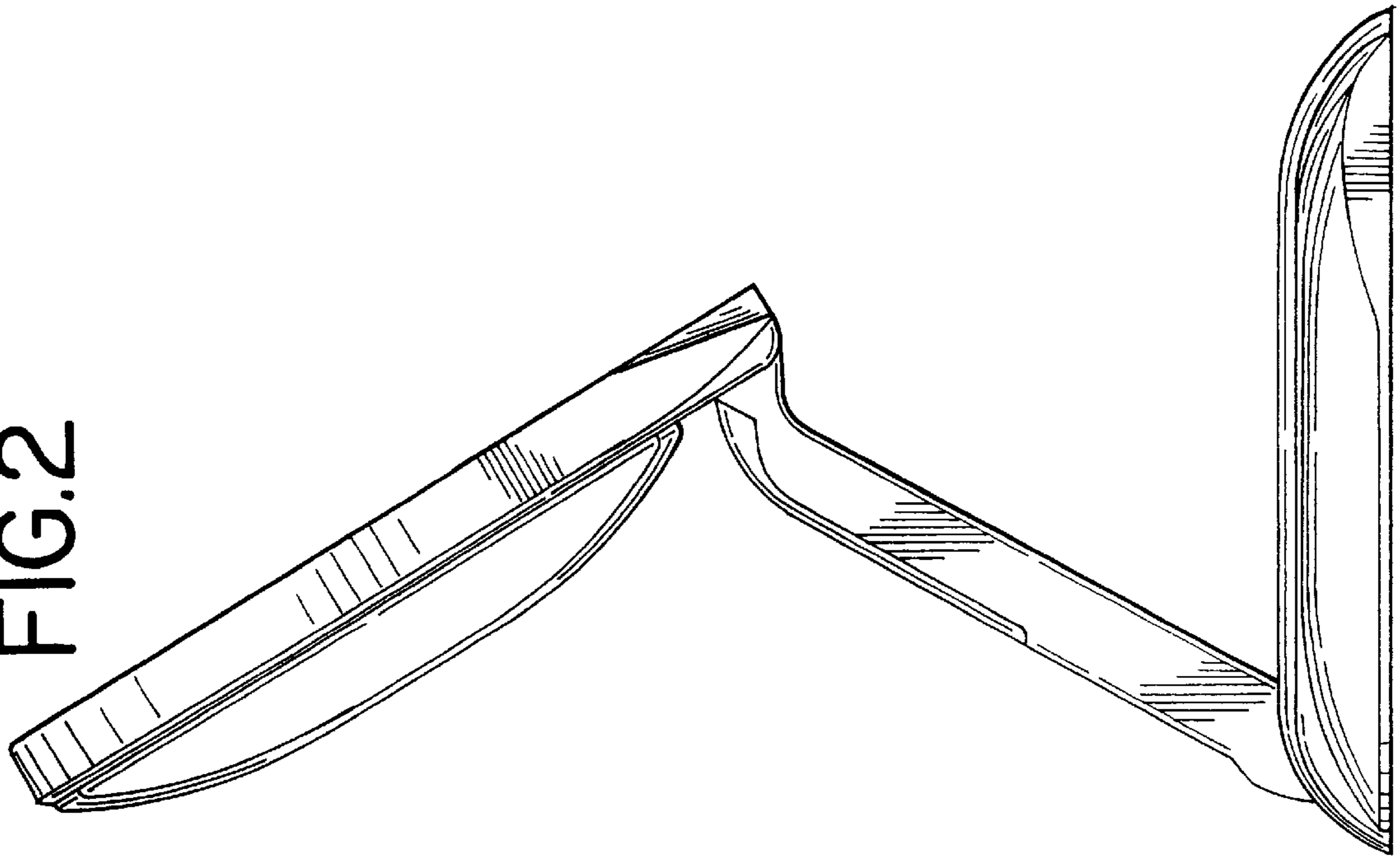


FIG.1

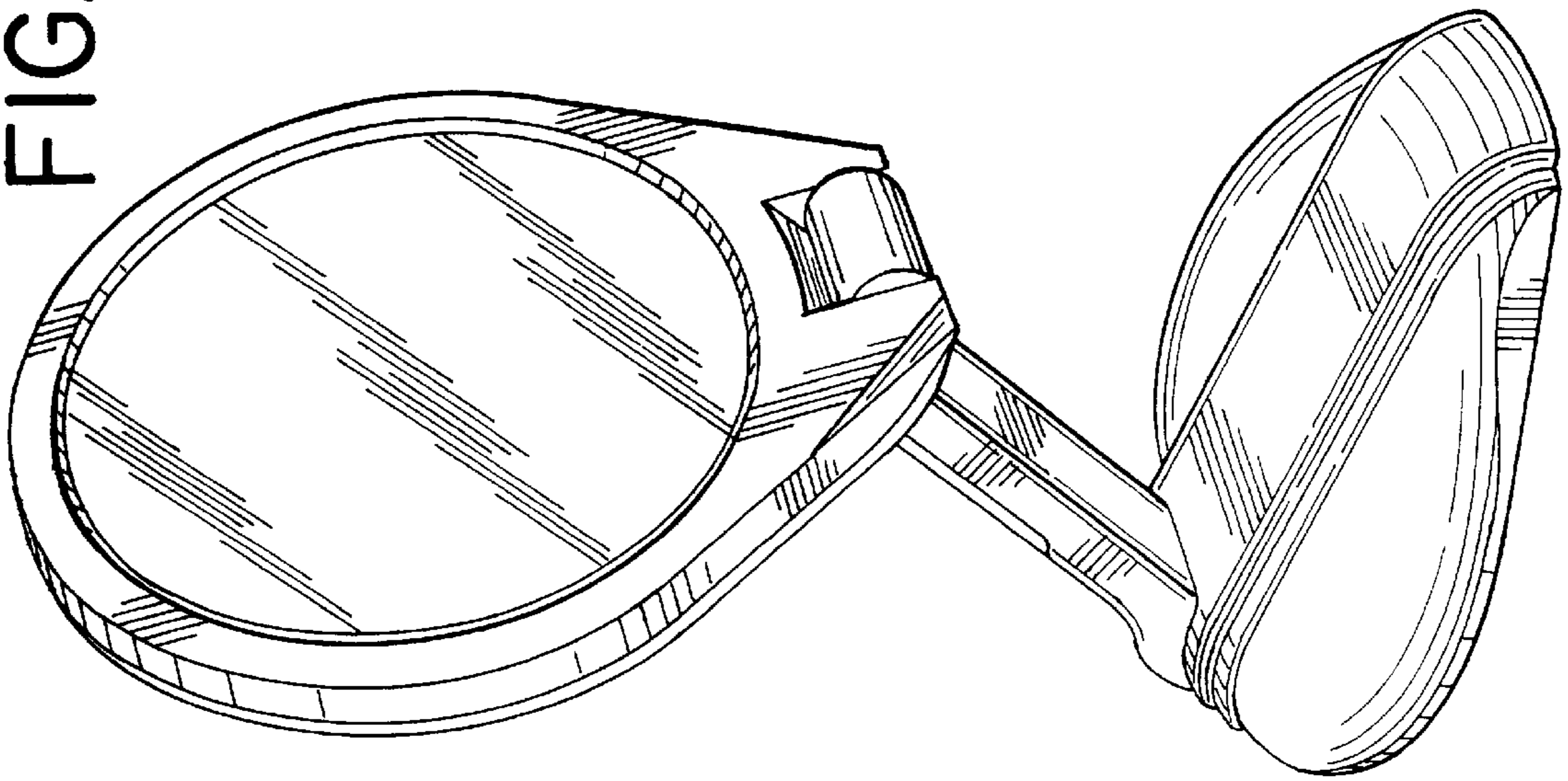


FIG.4

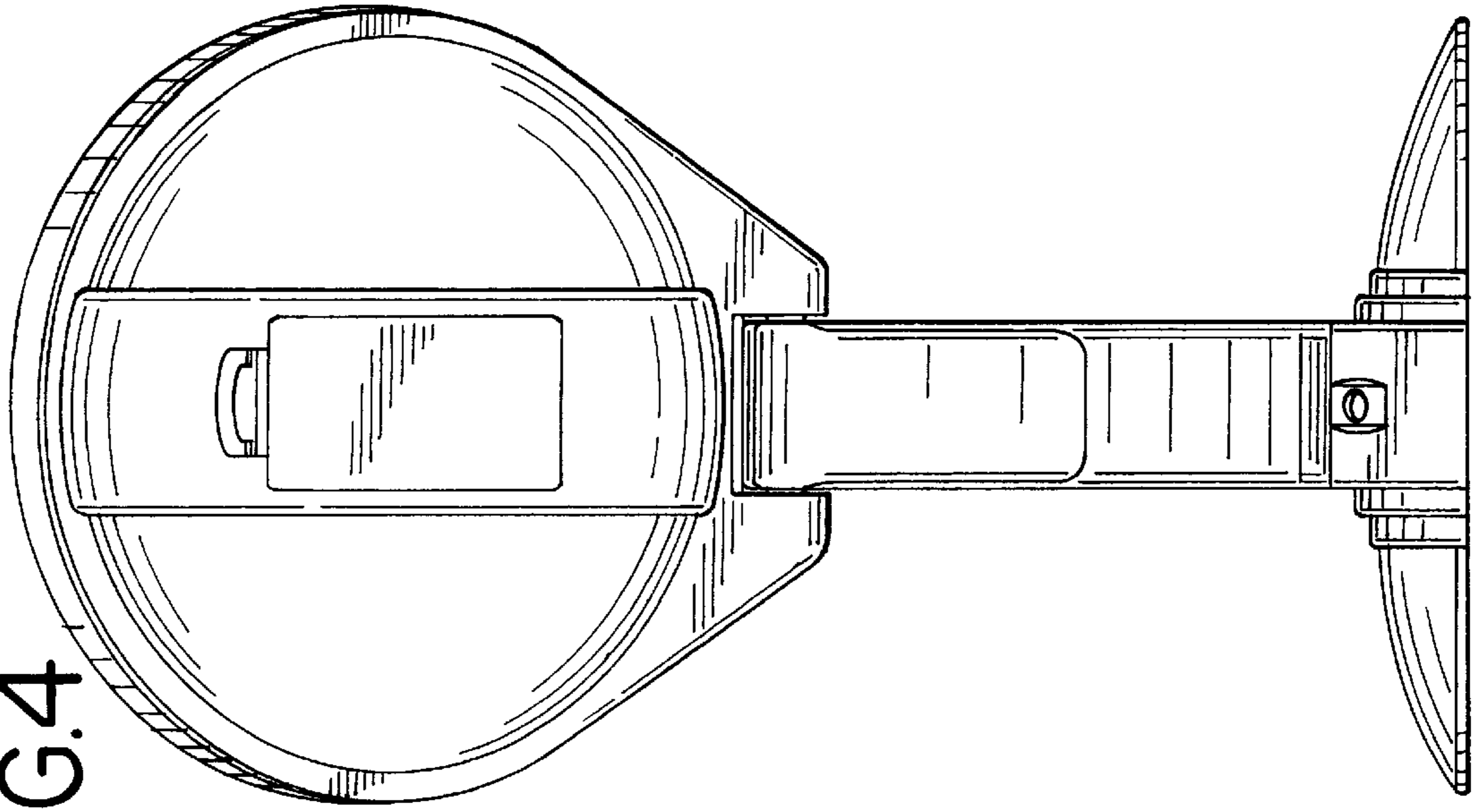


FIG.3

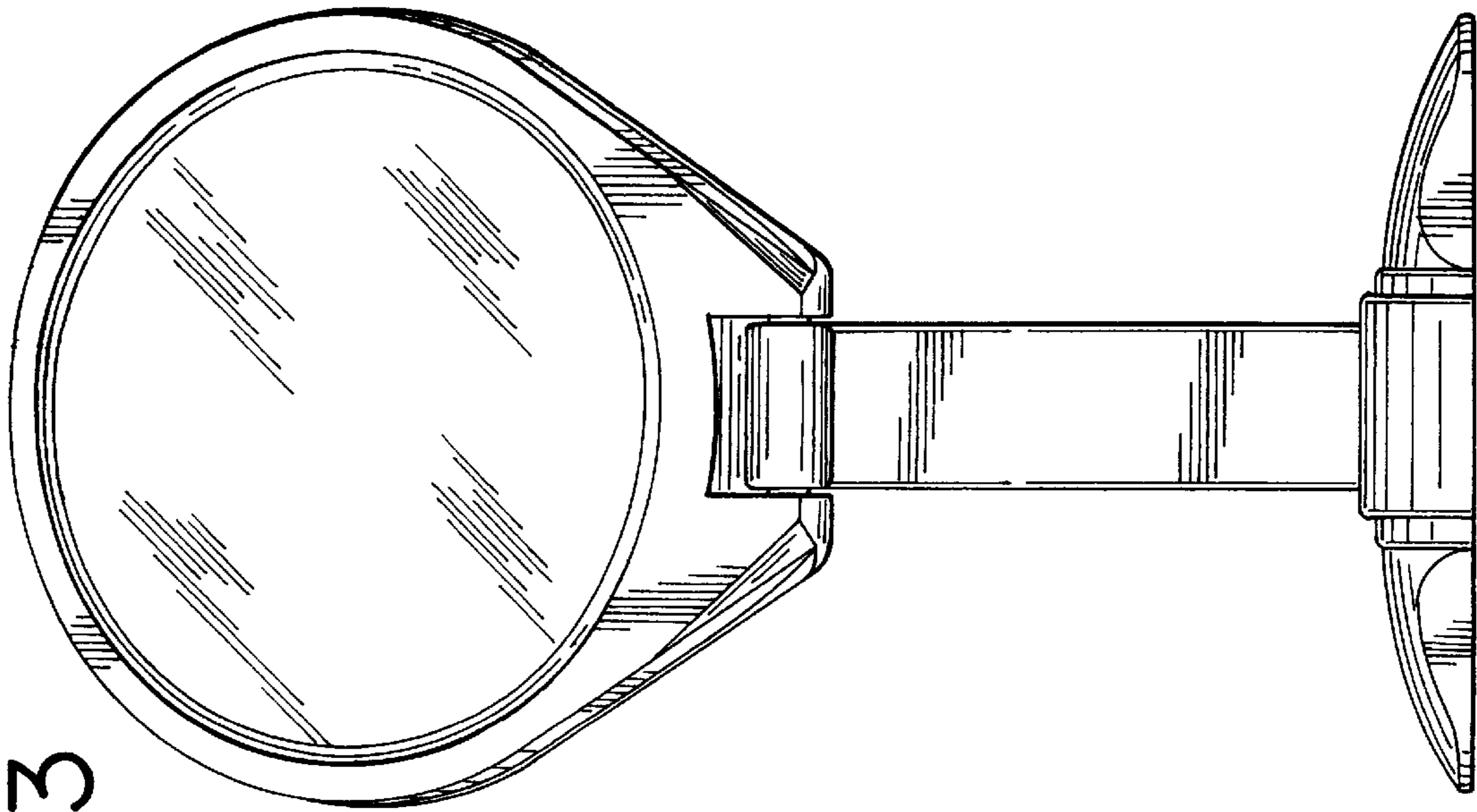


FIG.5

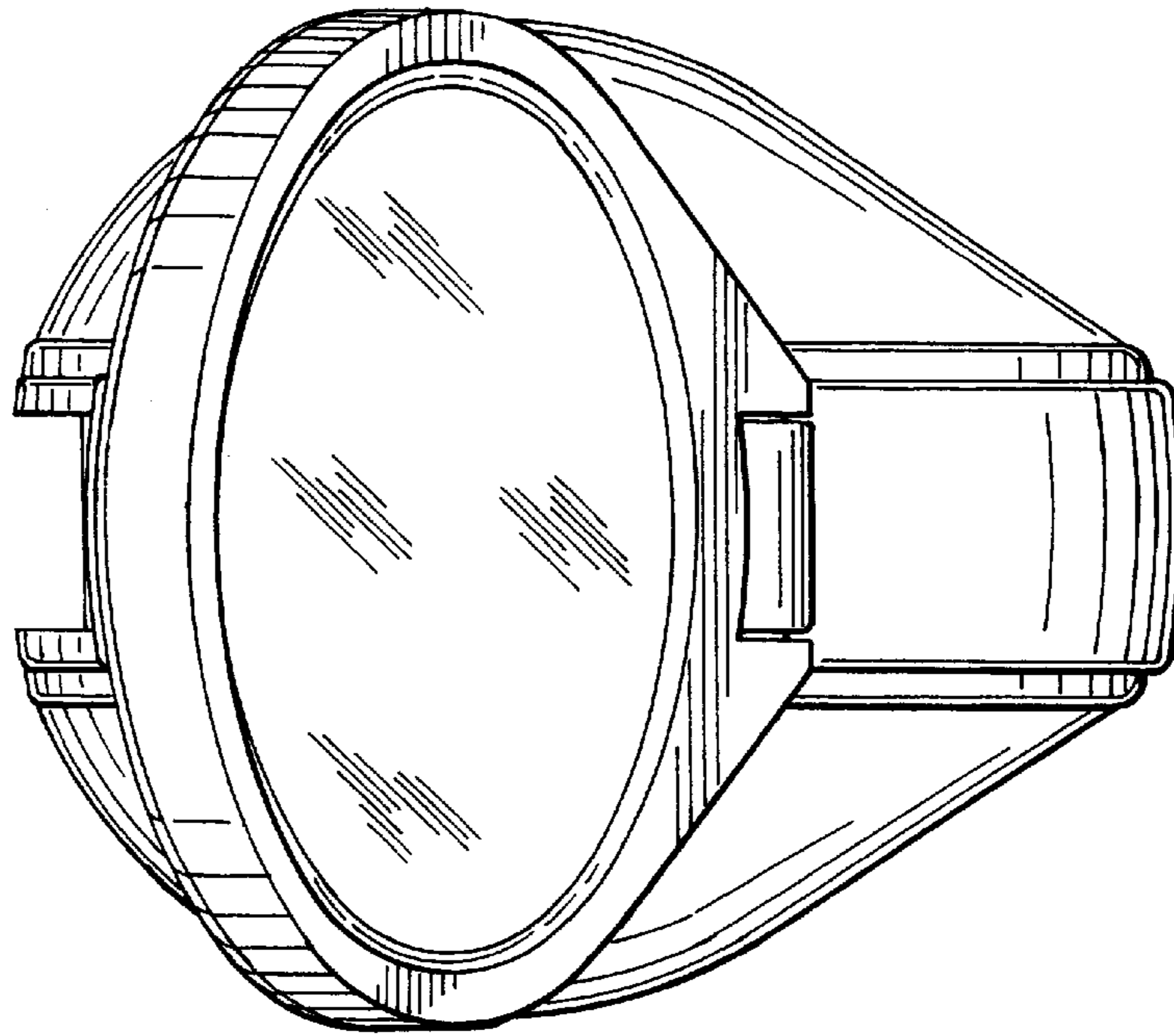


FIG.6

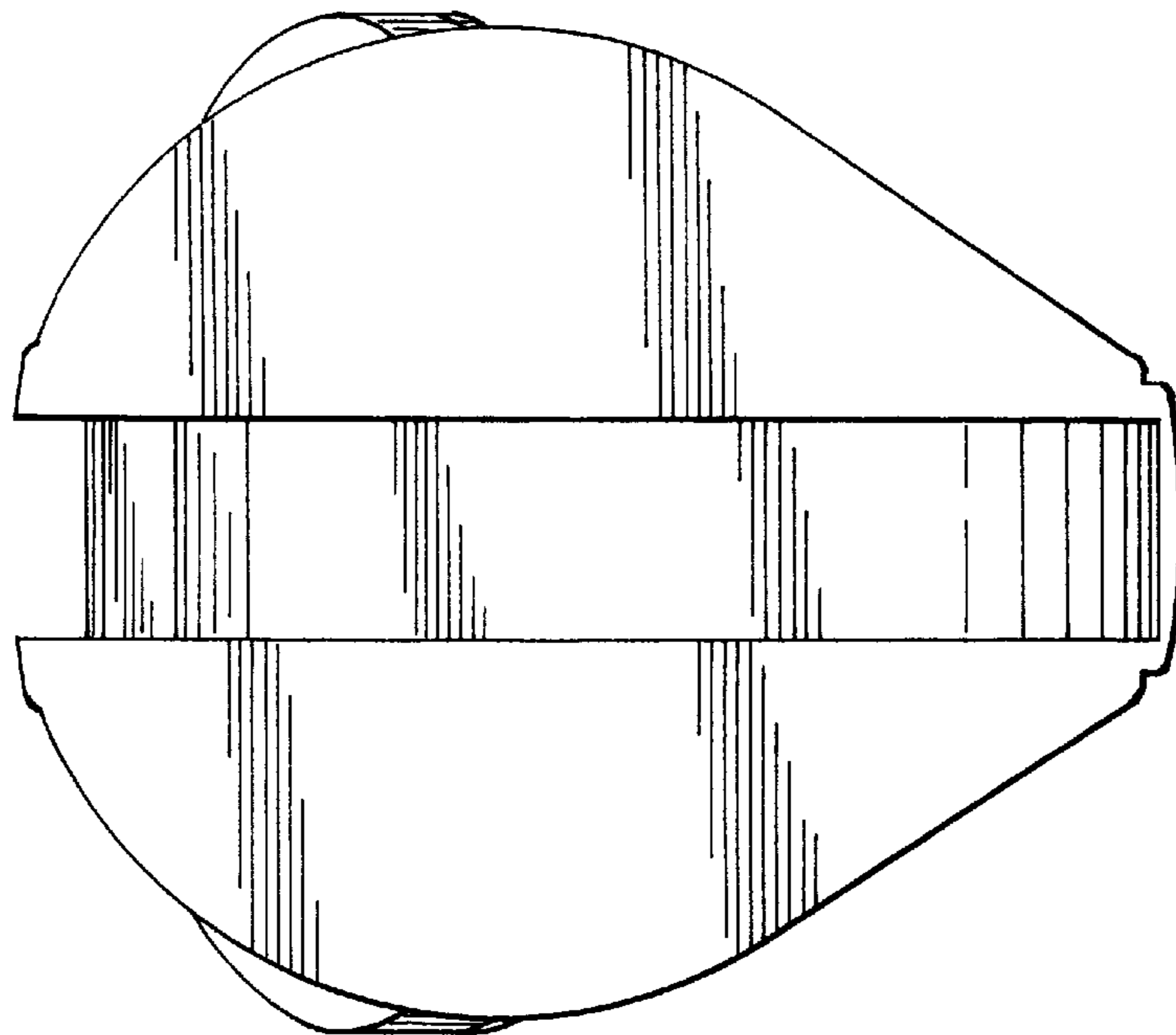


FIG.7

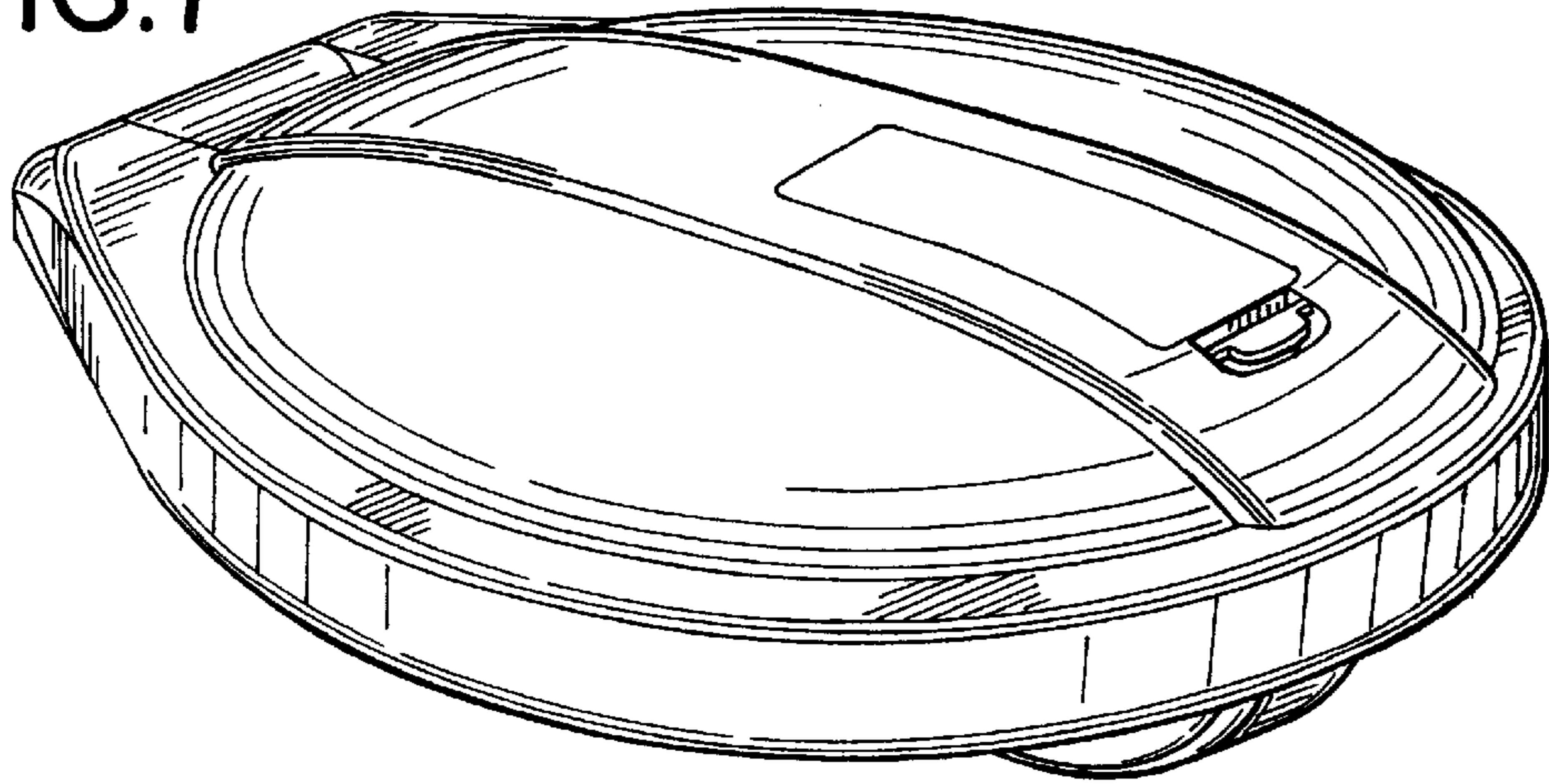


FIG.8

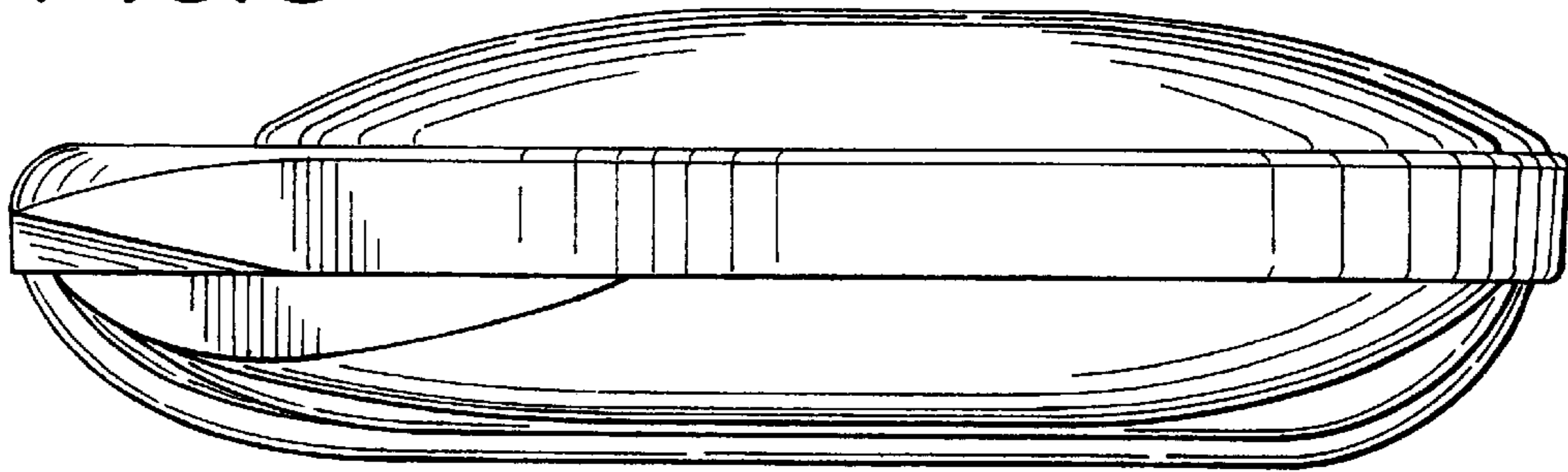


FIG.9

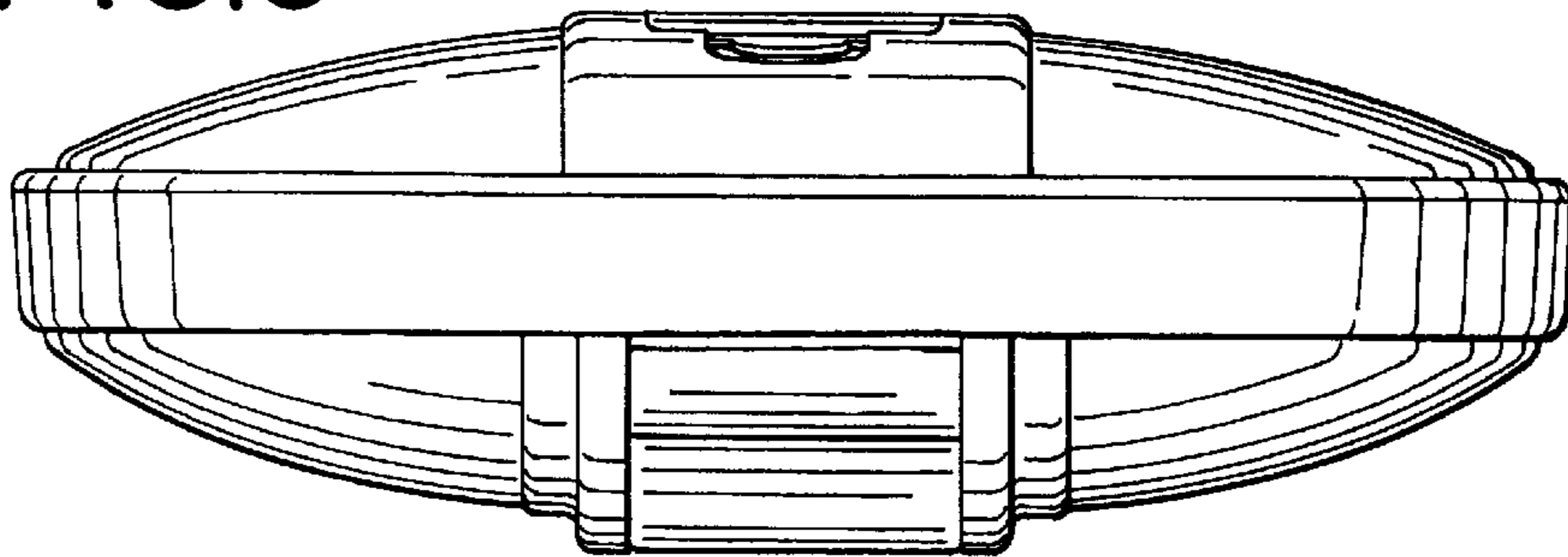


FIG.10

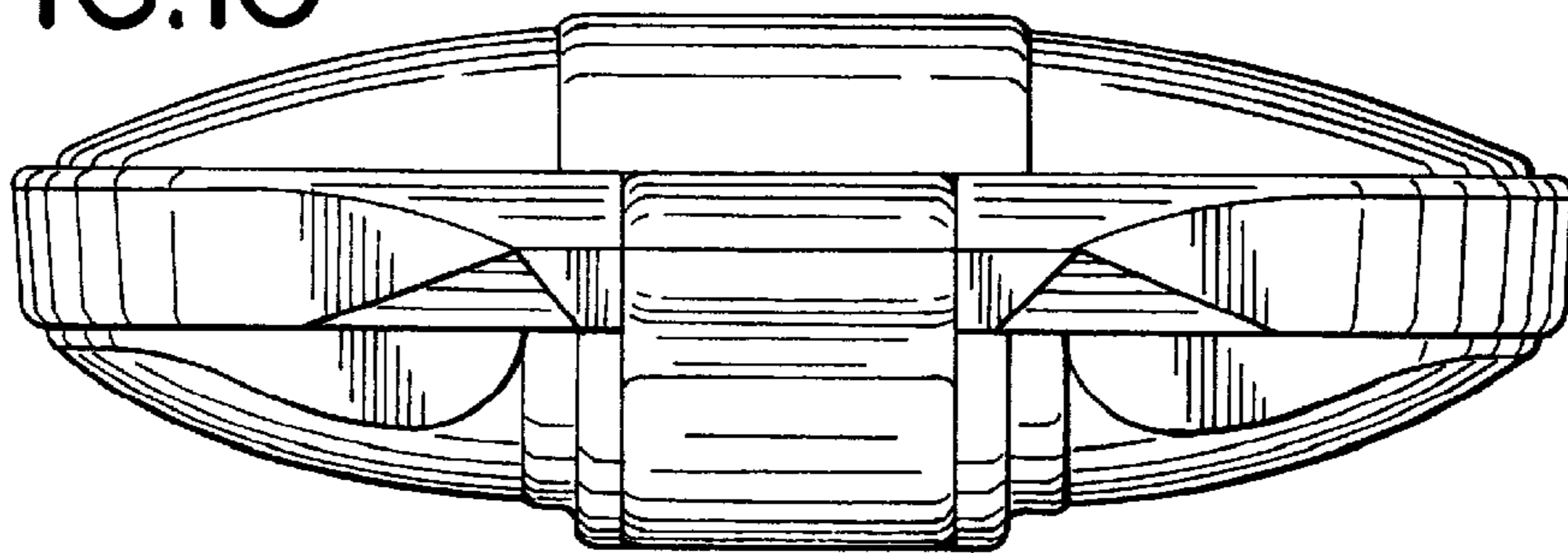


FIG.11

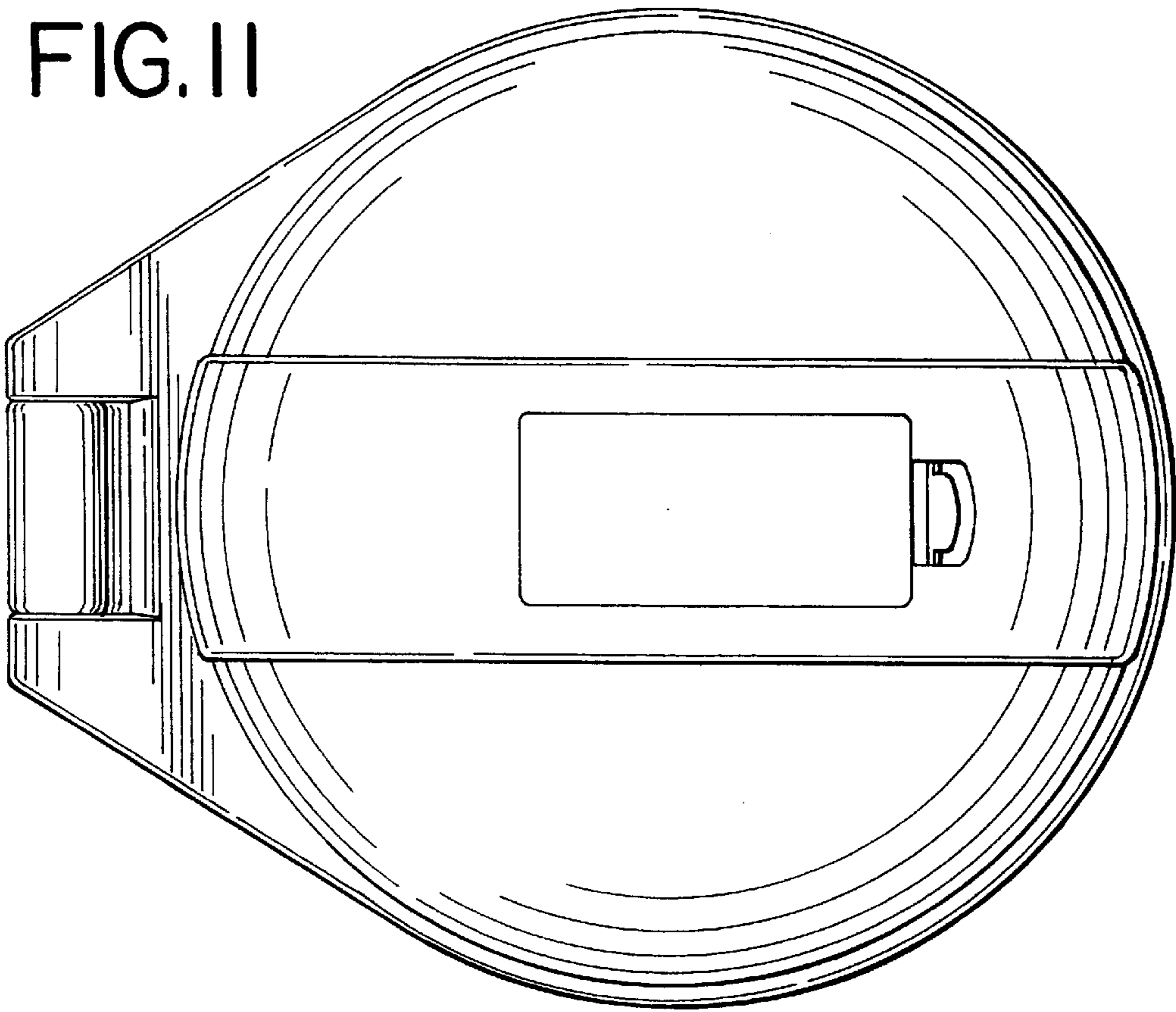


FIG.12

