



US00D442367S

(12) **United States Design Patent**
Terrell

(10) **Patent No.:** **US D442,367 S**

(45) **Date of Patent:** **** May 22, 2001**

(54) **HANGING ROD CASE**

(76) Inventor: **William Eric Terrell**, 17696
Winterhawk Trail, Jupiter, FL (US)
33478

(**) Term: **14 Years**

(21) Appl. No.: **29/125,017**

(22) Filed: **Jun. 15, 2000**

(51) **LOC (7) Cl.** **03-01**

(52) **U.S. Cl.** **D3/260**

(58) **Field of Search** D3/260, 262, 904,
D3/905; D22/134, 147; 224/922, 913; 206/315.11;
43/26, 54.1

(56) **References Cited**

U.S. PATENT DOCUMENTS

D. 332,526	*	1/1993	Bowman	D3/260
D. 410,333	*	6/1999	Coca	D3/260
4,182,391	*	1/1980	Kjose	43/26
5,319,087	*	6/1994	Vance	43/26
5,425,194	*	6/1995	Miller	43/26

* cited by examiner

Primary Examiner—Louis S. Zarfaz
Assistant Examiner—Catherine R. Oliver
(74) *Attorney, Agent, or Firm*—McHale & Slavin

(57) **CLAIM**

The ornamental design for a hanging rod case, as shown and described.

DESCRIPTION

FIG. 1 is a left side perspective view hanging rod case of the instant invention depicting external pockets;
FIG. 2 is a top end—left side perspective view thereof depicting external pockets;
FIG. 3 is a right side perspective view thereof depicting the hanger in an unsecured position;
FIG. 4 is a bottom—right side perspective view thereof depicting the hanger in an unsecured position;
FIG. 5 is a bottom end—right side perspective view thereof depicting the hanger in a secured position;
FIG. 6 is a front elevational view thereof;
FIG. 7 is a rear elevational view thereof;
FIG. 8 is a bottom plan view thereof; and,
FIG. 9 is a top plan view thereof.

1 Claim, 3 Drawing Sheets

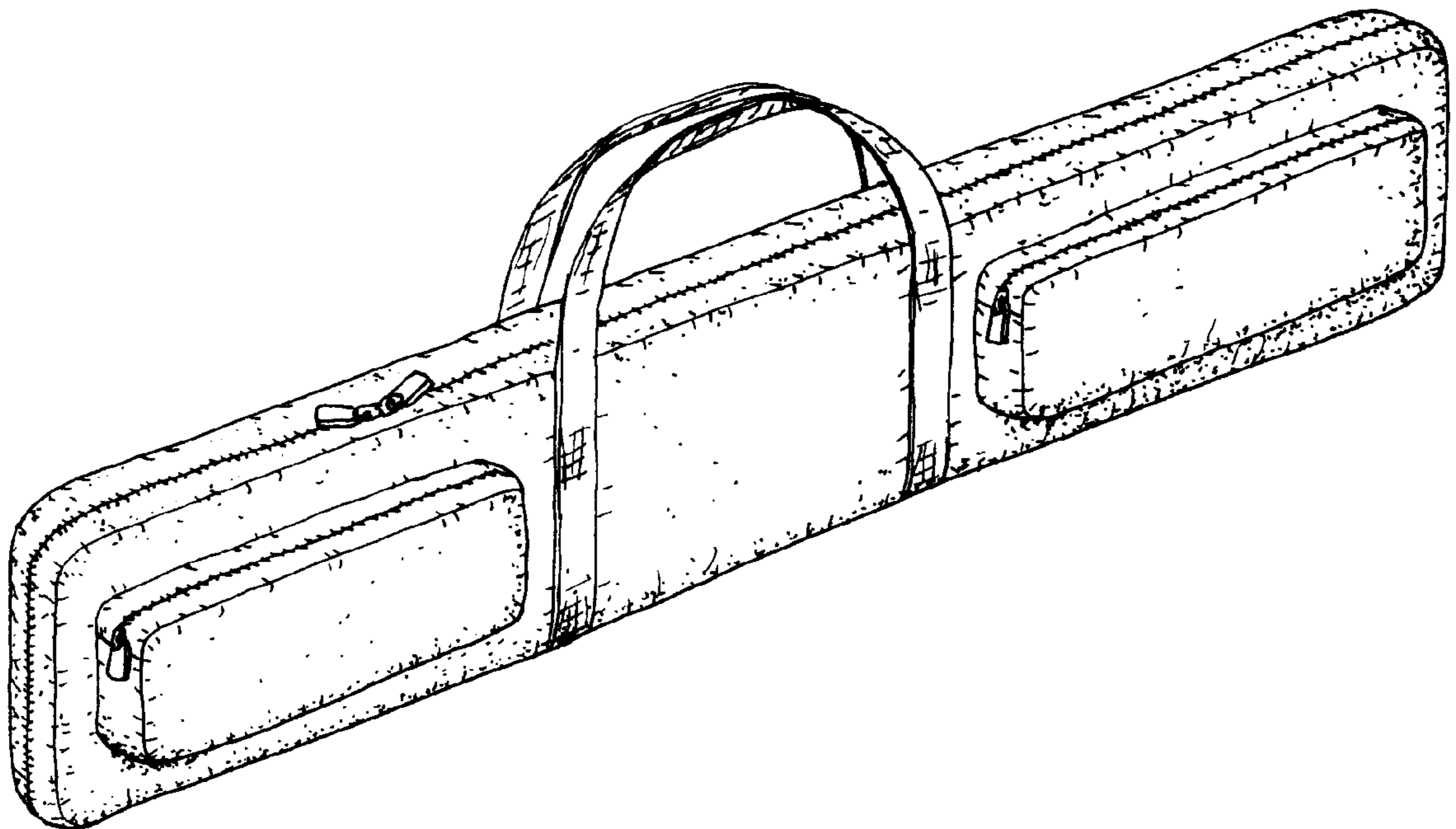


FIG. 1

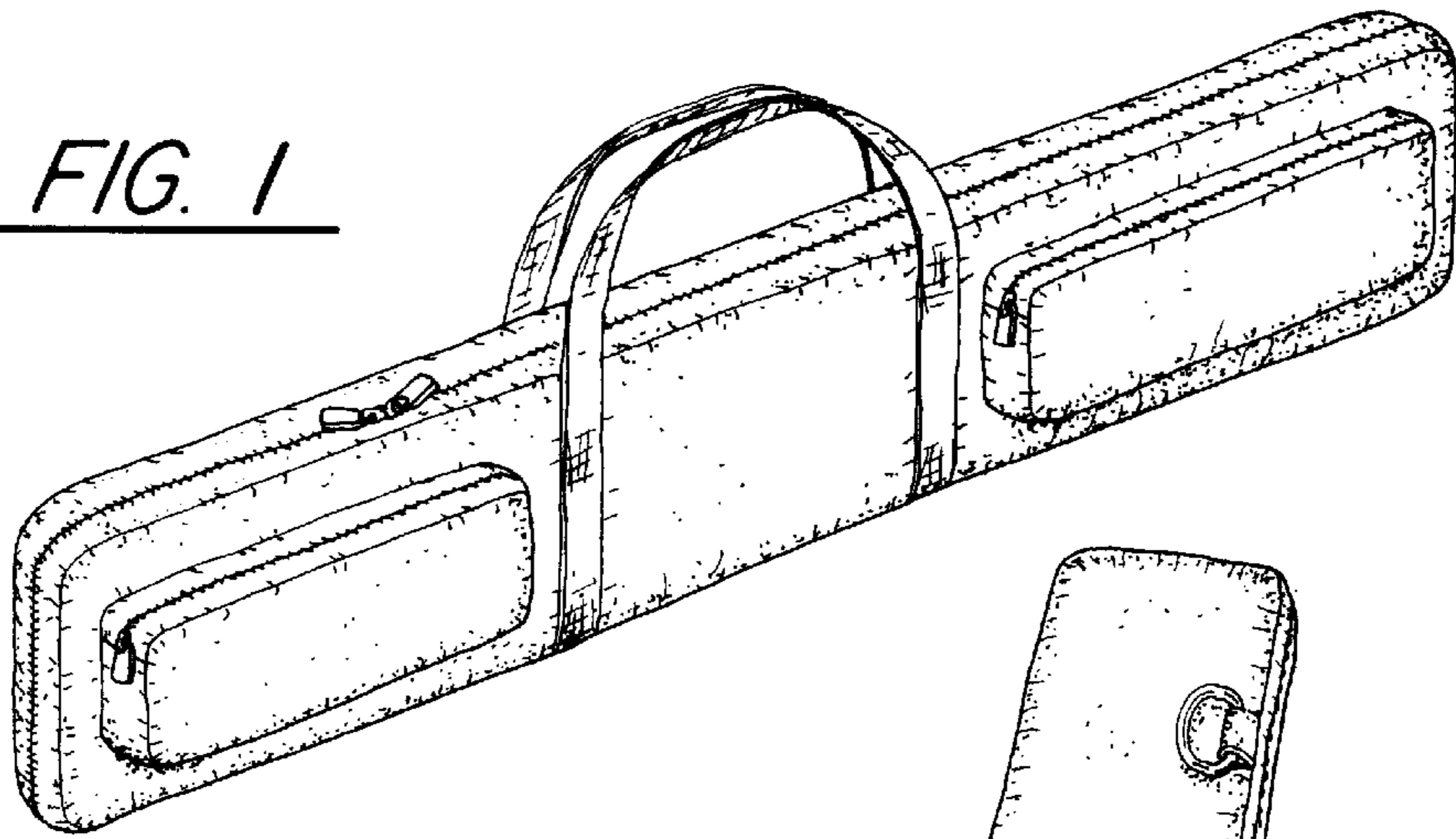


FIG. 2

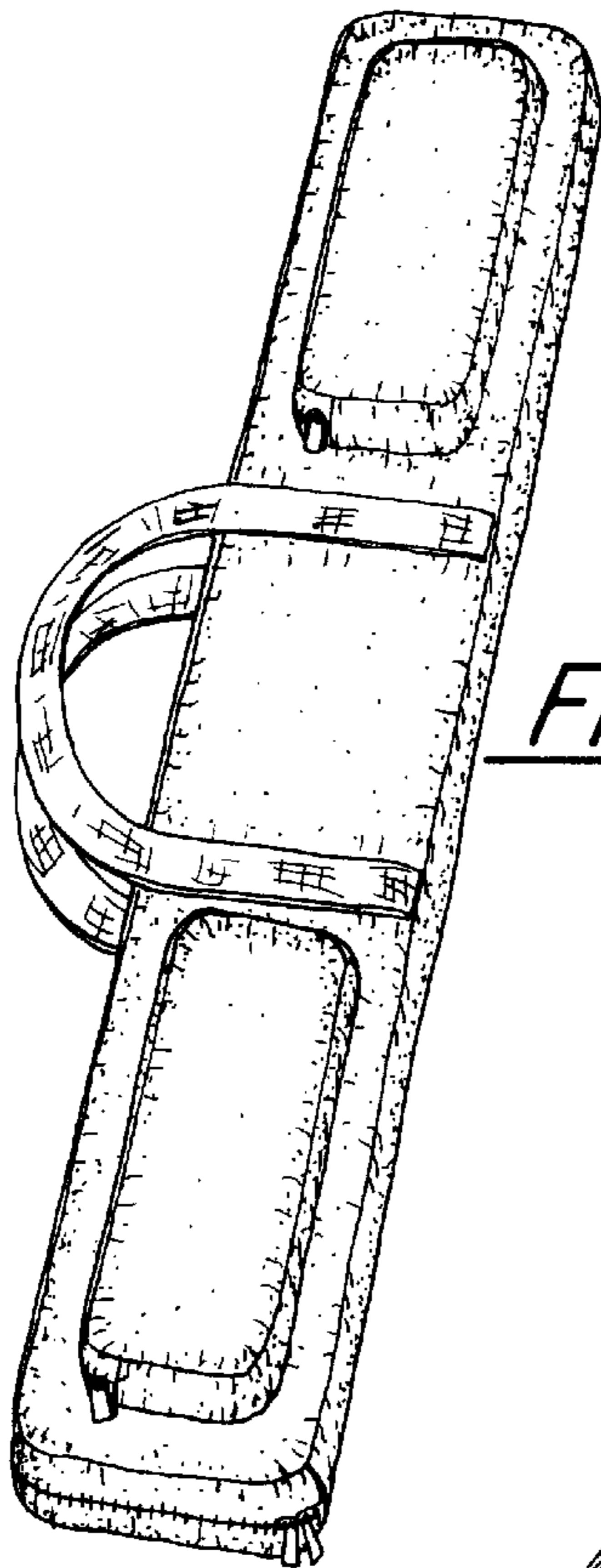


FIG. 4

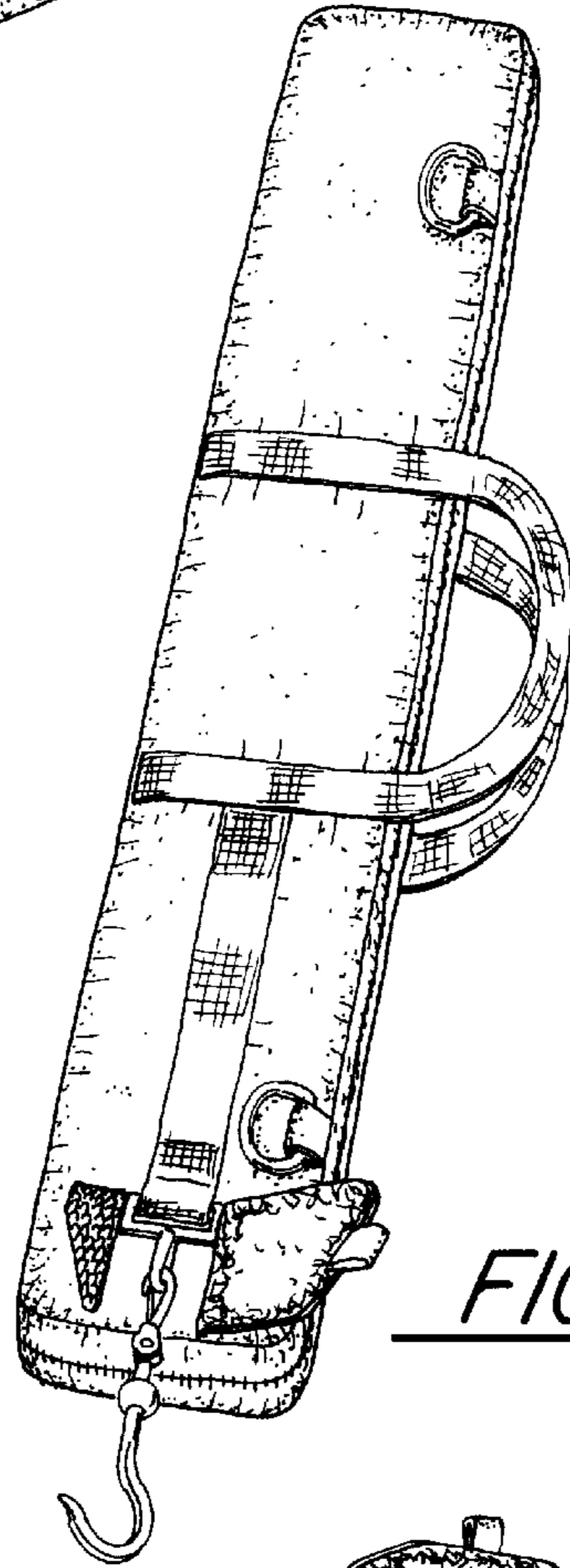


FIG. 3

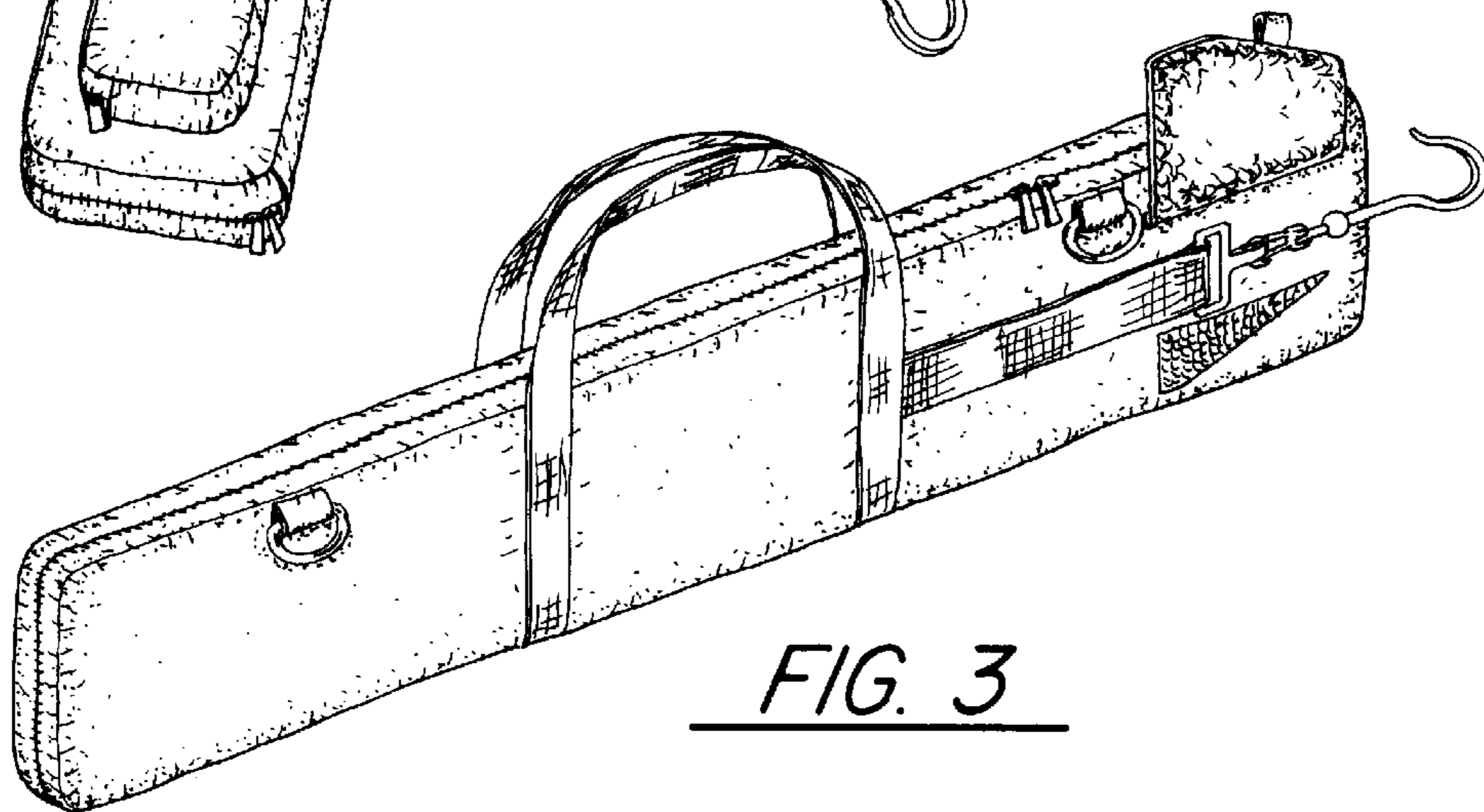


FIG. 5

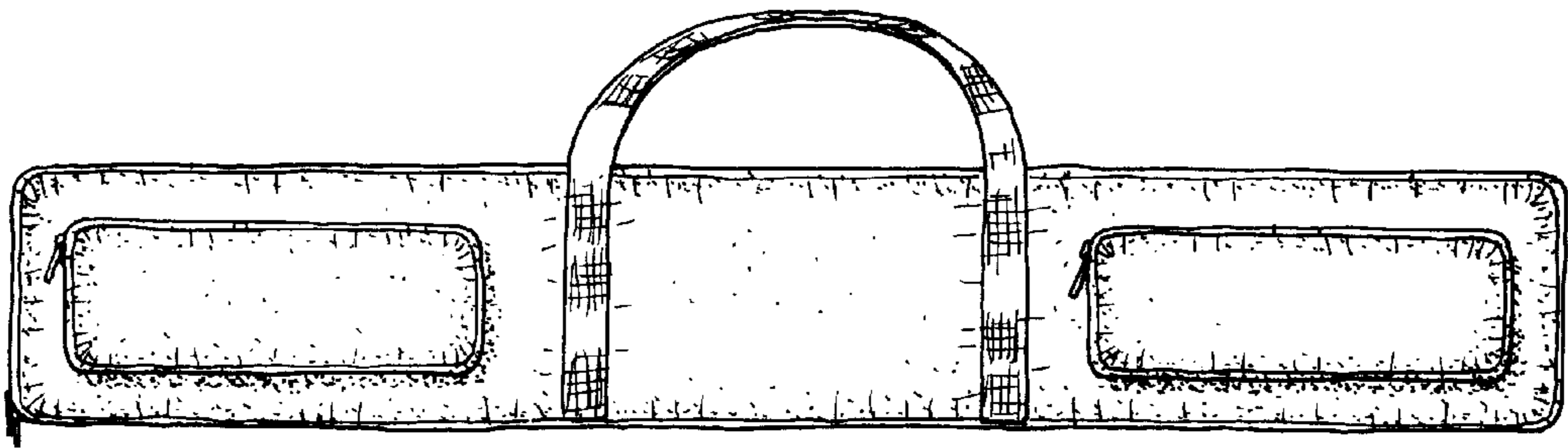
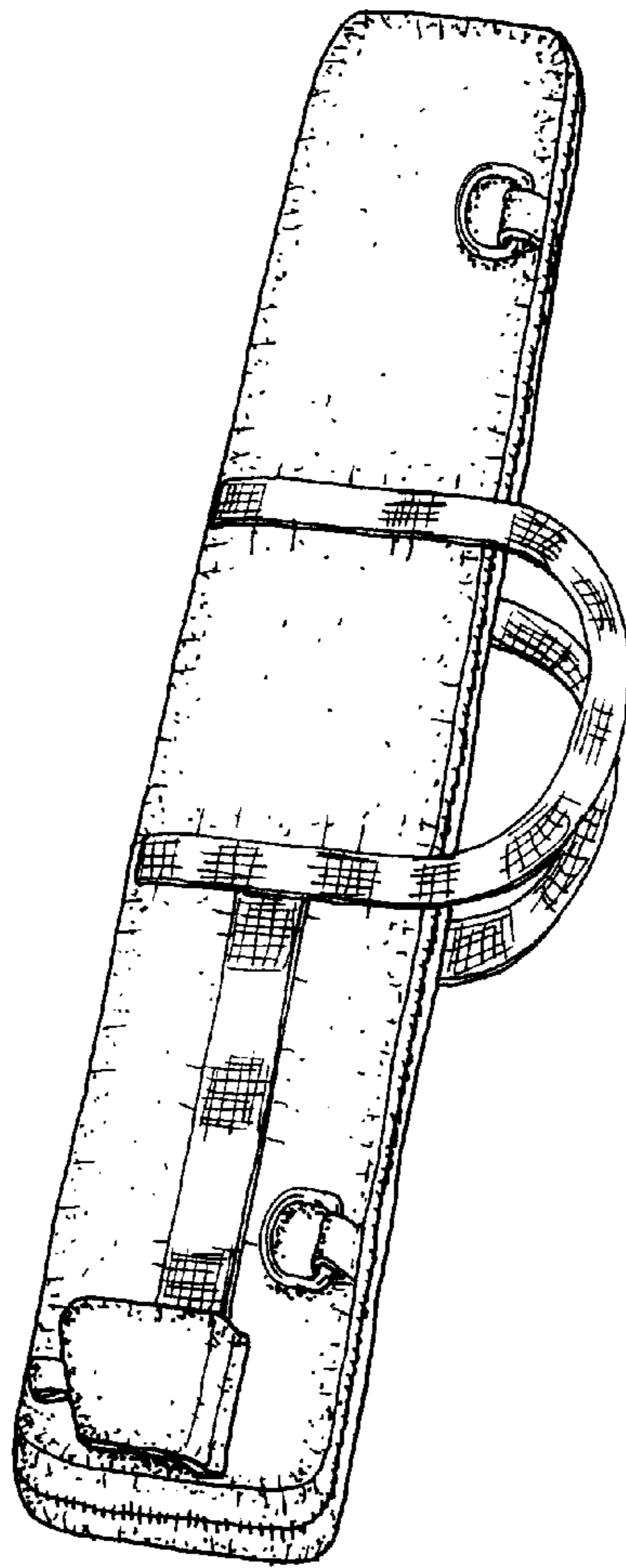


FIG. 6

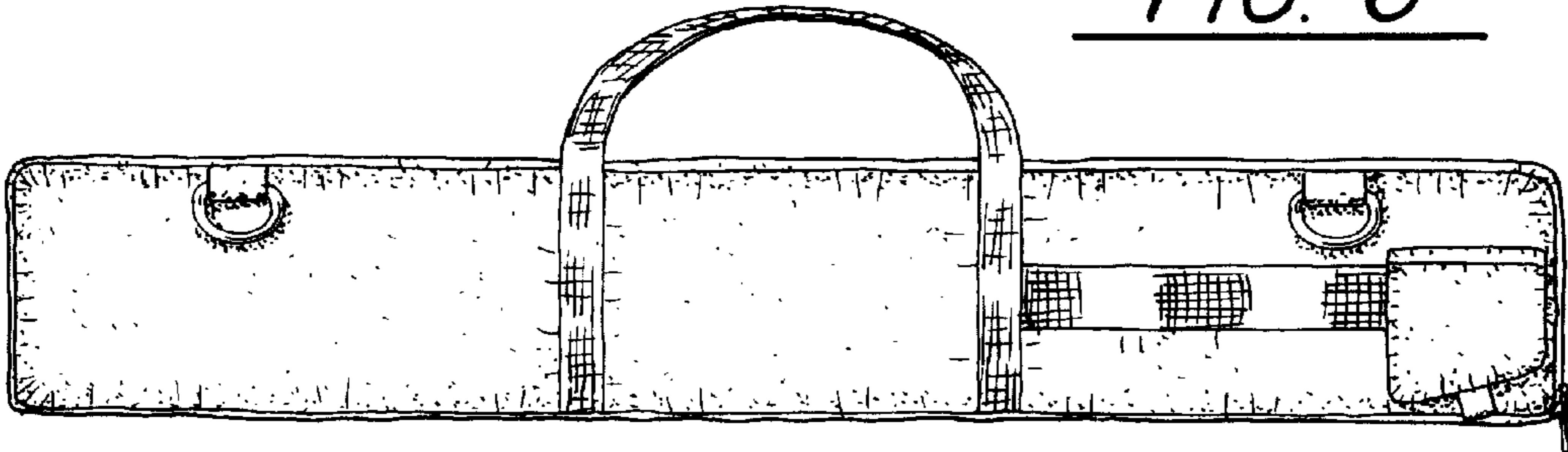


FIG. 7

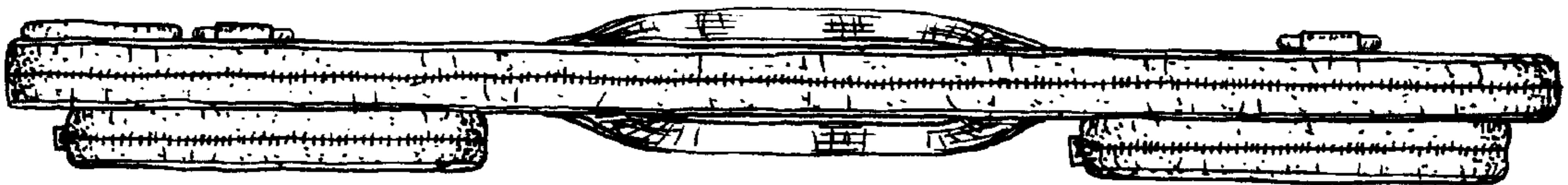


FIG. 8



FIG. 9