



US00D442366S

(12) **United States Design Patent**  
**Nally**

(10) **Patent No.:** **US D442,366 S**

(45) **Date of Patent:** **\*\* May 22, 2001**

(54) **PRODUCT PACKAGING FOR SPORTING EQUIPMENT**

(75) Inventor: **Michael Nally**, Ridgewood, NJ (US)

(73) Assignee: **Sportcraft, Ltd.**, Mt. Olive, NJ (US)

(\*\*) Term: **14 Years**

(21) Appl. No.: **29/109,999**

(22) Filed: **Aug. 30, 1999**

(51) **LOC (7) Cl.** ..... **03-01**

(52) **U.S. Cl.** ..... **D3/254**

(58) **Field of Search** ..... D3/254, 257, 273,  
D3/276, 904, 905; 206/315.1, 579; 190/111,  
109, 102

(56) **References Cited**

**U.S. PATENT DOCUMENTS**

D. 363,600 \* 10/1995 Medlen ..... D3/254

D. 370,560 \* 6/1996 Doerbaum ..... D3/254

D. 417,780 \* 12/1999 Gunter ..... D3/254

\* cited by examiner

*Primary Examiner*—Louis S. Zarfes

*Assistant Examiner*—Catherine R. Oliver

(74) *Attorney, Agent, or Firm*—Head, Johnson & Kachigian

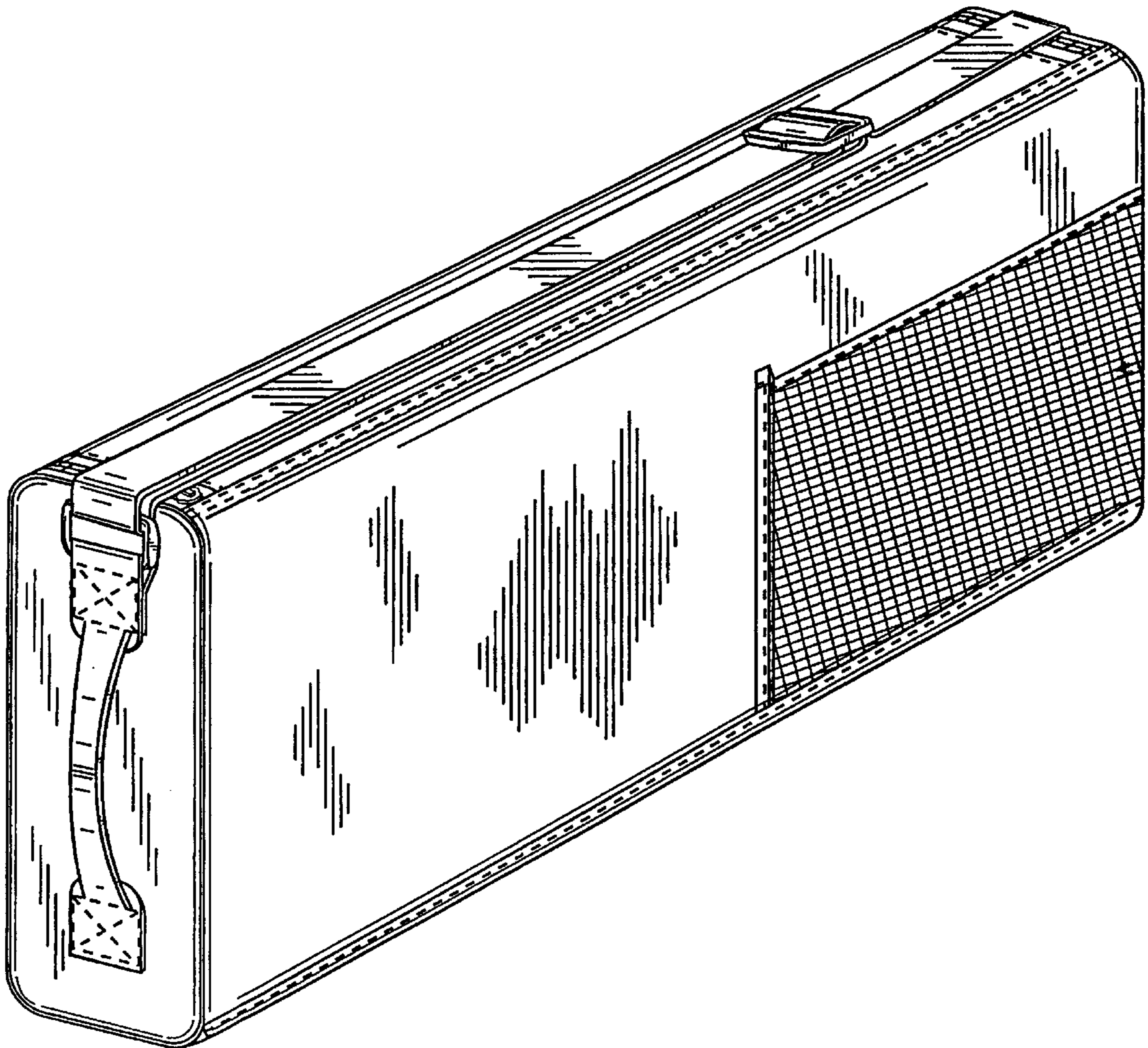
(57) **CLAIM**

The ornamental design for product packaging for sporting equipment, as shown and described.

**DESCRIPTION**

FIG. 1 is a left front perspective view of the product packaging for sporting equipment showing my new design; FIG. 2 is a front elevational view thereof; FIG. 3 is a rear elevational view thereof; FIG. 4 is a bottom plan view thereof; FIG. 5 is a top plan view thereof; FIG. 6 is a right side elevational view thereof; and, FIG. 7 is a left side elevational view.

**1 Claim, 5 Drawing Sheets**



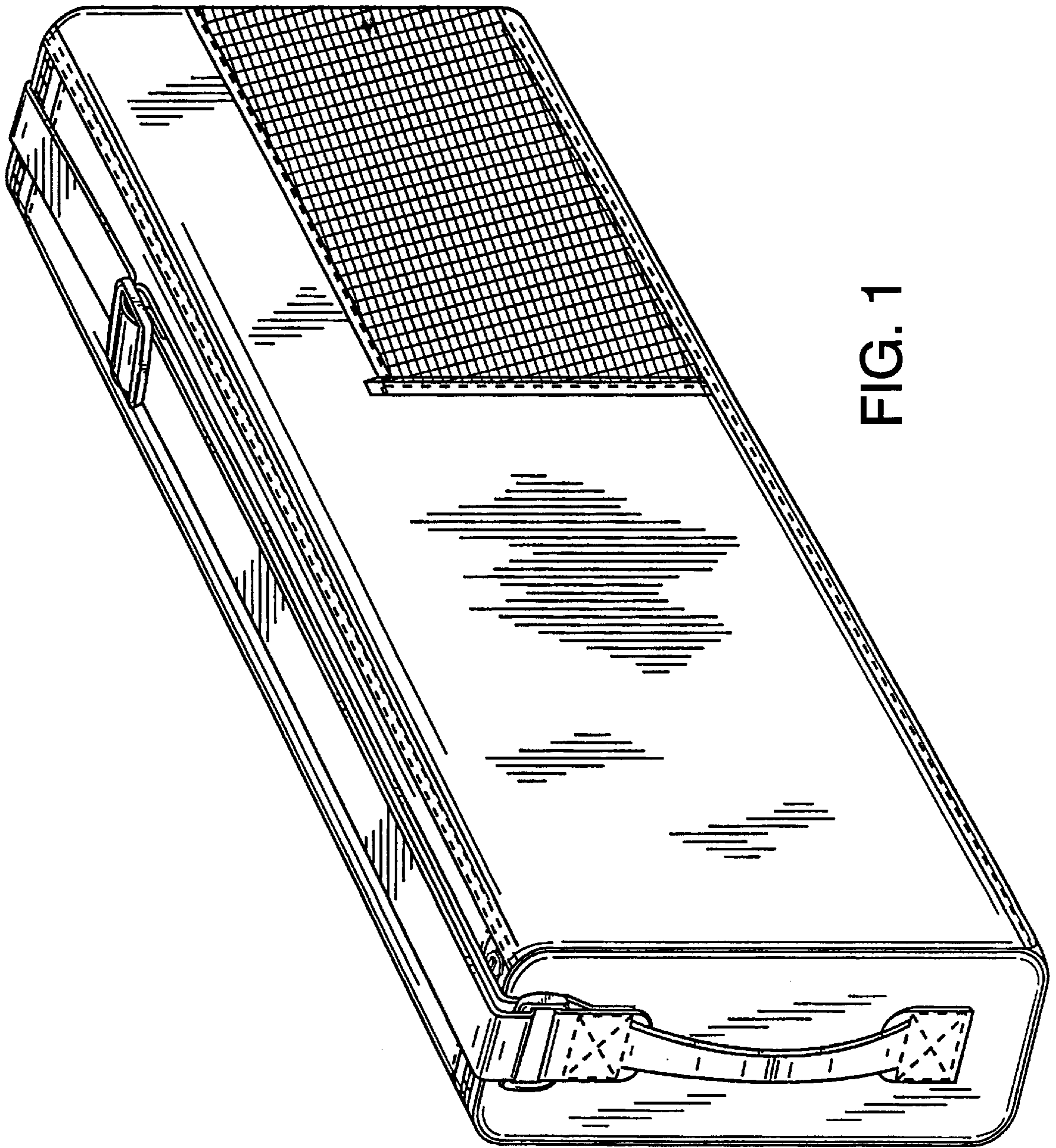


FIG. 1

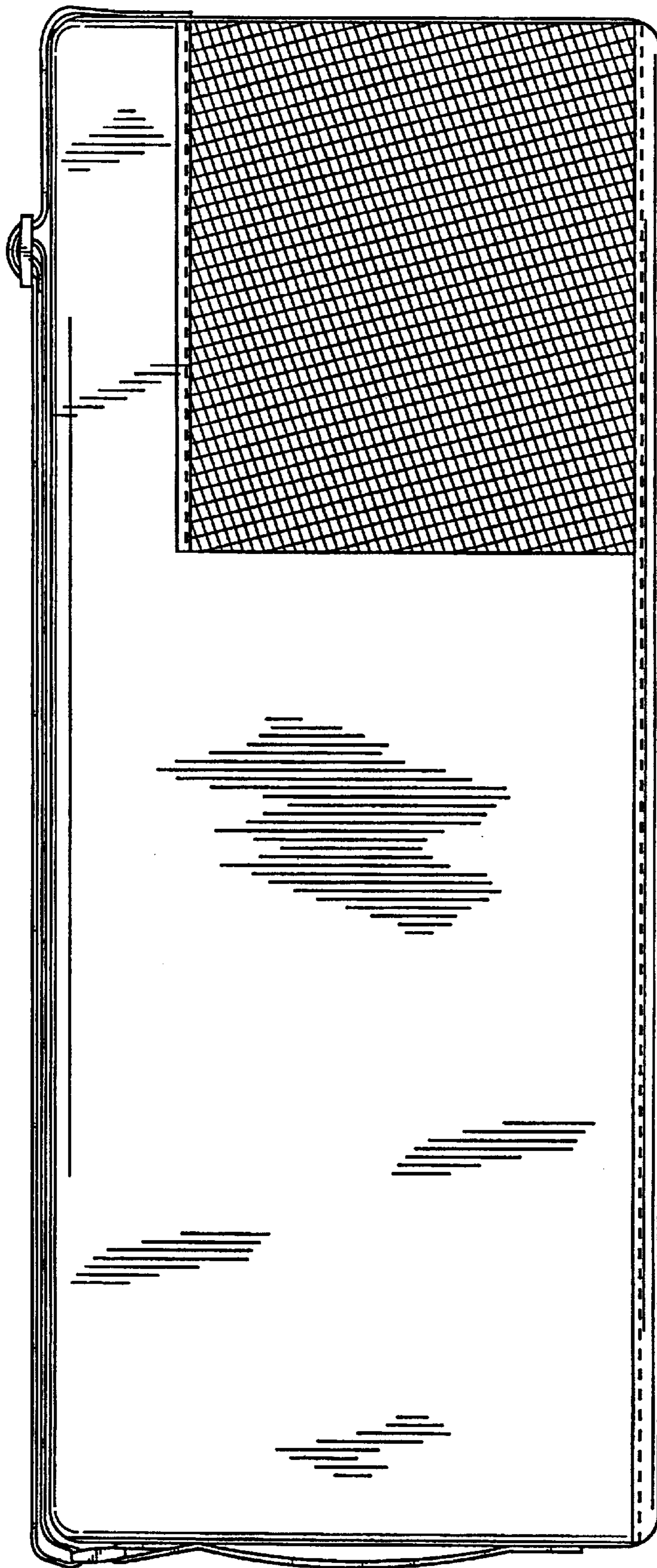


FIG. 2

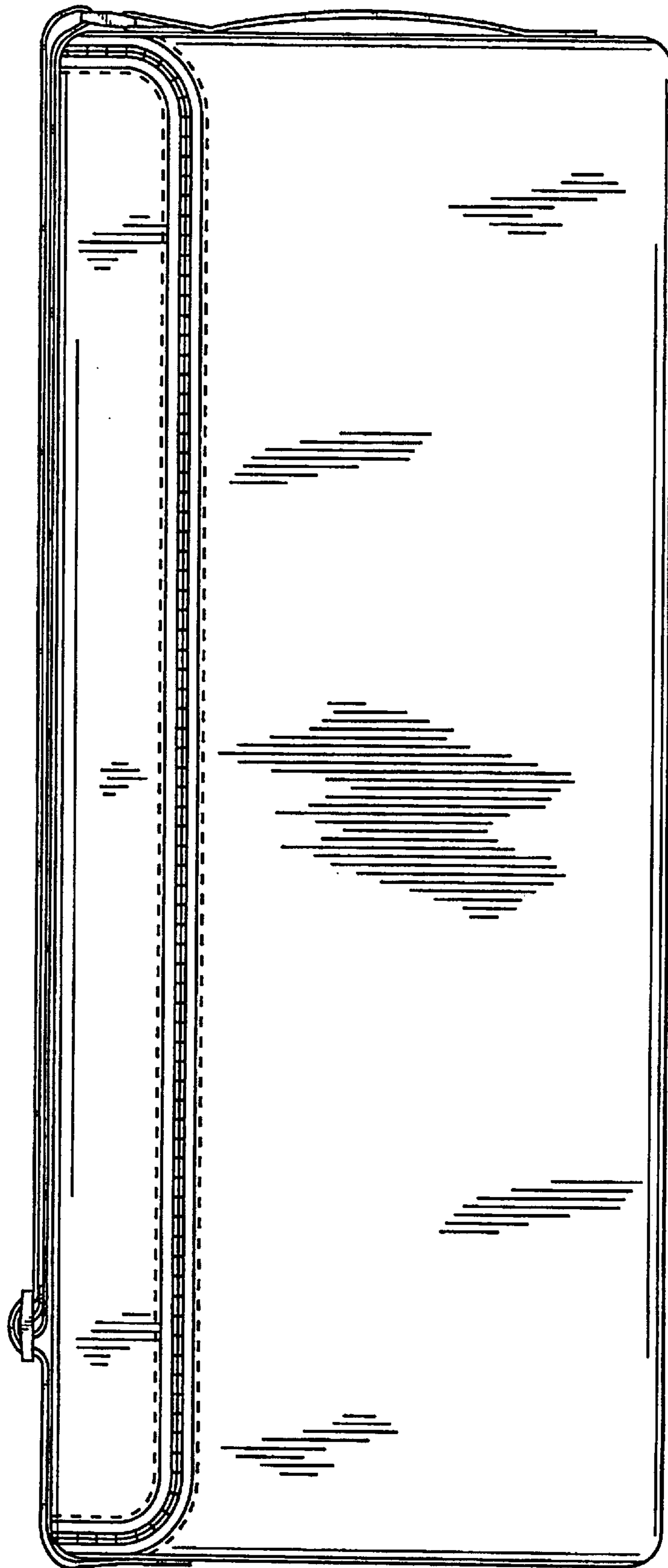


FIG. 3

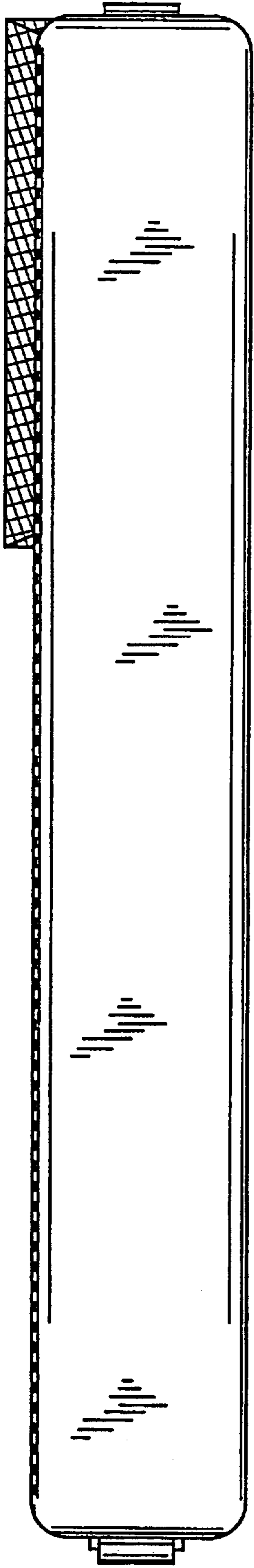


FIG. 4

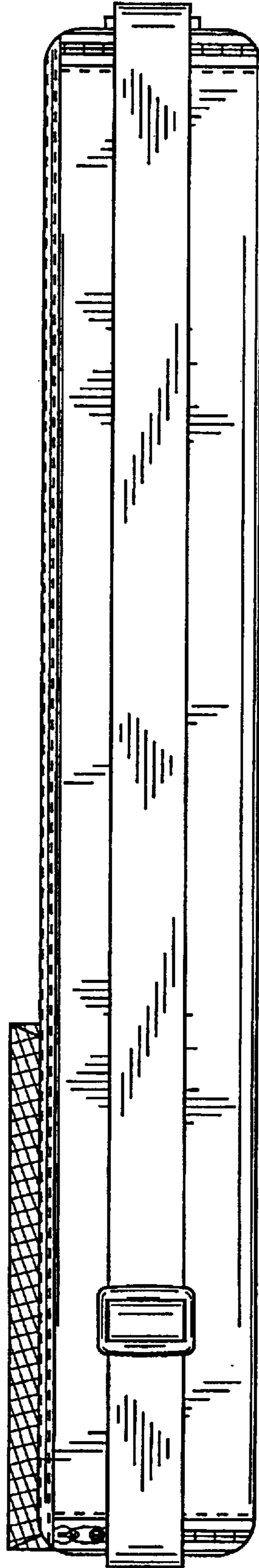


FIG. 5

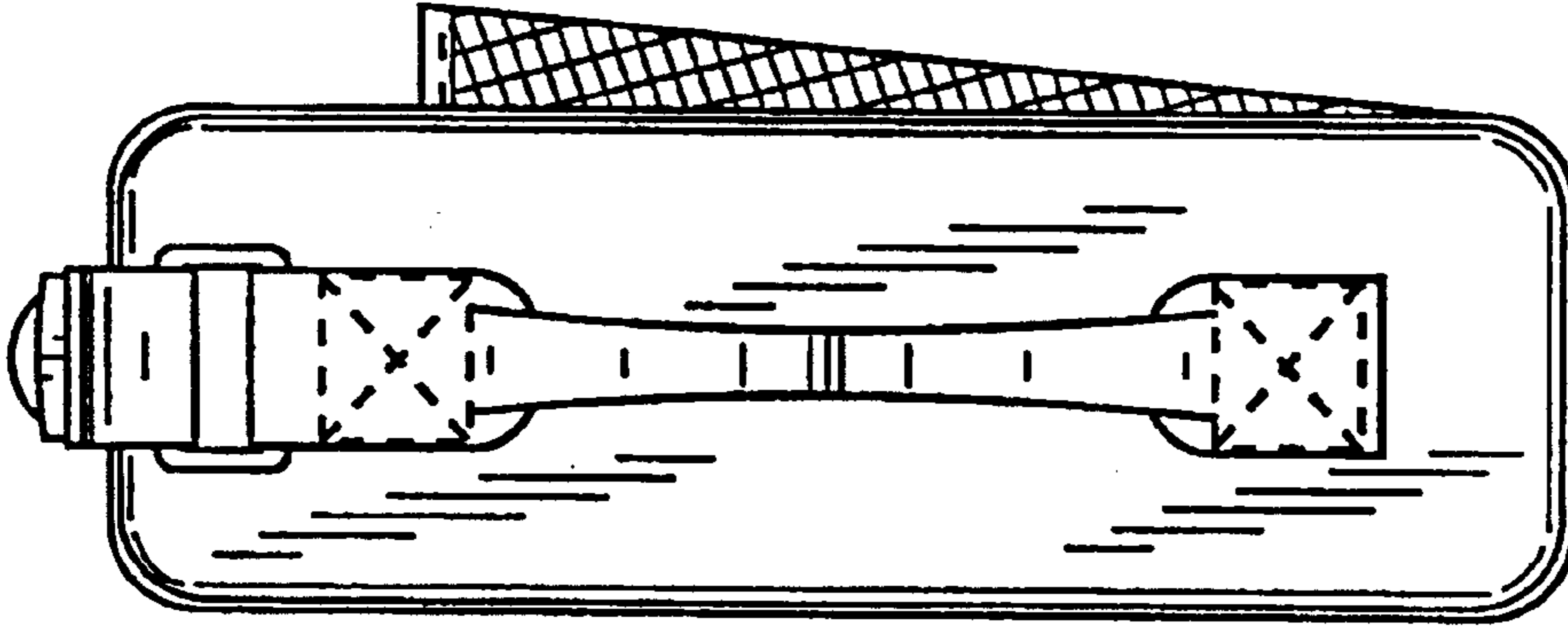


FIG. 6

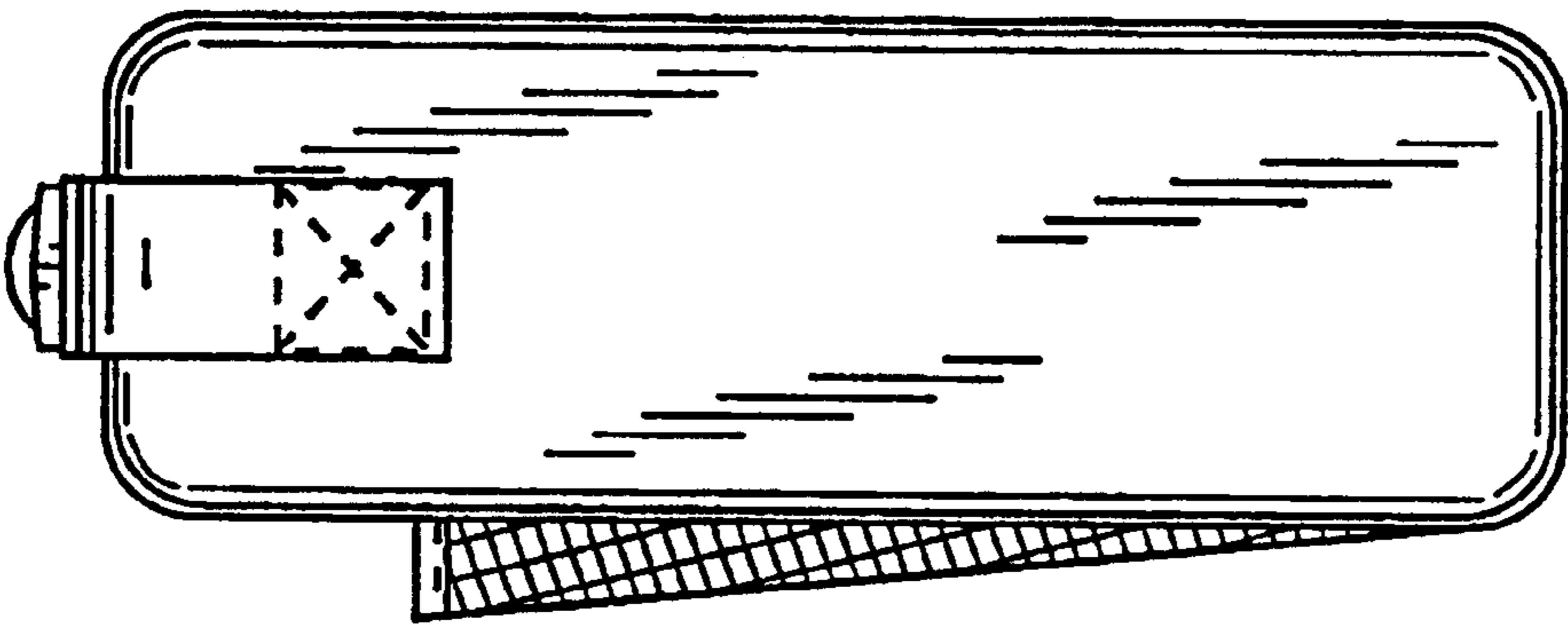


FIG. 7