



US00D442354S

(12) **United States Design Patent**
Travis

(10) **Patent No.:** **US D442,354 S**

(45) **Date of Patent:** **** May 22, 2001**

(54) **STRAW CAP**

(76) **Inventor:** **Benton W. Travis**, 605 Hill Ct., Round Rock, TX (US) 78681

(**) **Term:** **14 Years**

(21) **Appl. No.:** **29/126,762**

(22) **Filed:** **Jul. 25, 2000**

(51) **LOC (7) Cl.** **02-03**

(52) **U.S. Cl.** **D2/882**

(58) **Field of Search** D2/865, 872, 873, D2/874, 875, 876, 879, 881, 882, 884; 2/171, 171.8, 181, 181.4, 195.1, 195.2, 195.5, 195.8, 195.6, 200.1, 209.12, 209.5, 209.7, 175.8

(56) **References Cited**

U.S. PATENT DOCUMENTS

57,702	*	9/1866	Goldstone	2/209.7	X
D. 416,665	*	11/1999	Jones	D2/874	
1,077,796		11/1913	Buchalter	.		
1,190,427	*	7/1916	Kromer, Jr.	2/181	
1,771,544	*	7/1930	McKisson	2/171.8	
1,791,554		2/1931	Bronston	.		

2,105,622		1/1938	Tibbals	.		
2,803,827	*	8/1957	Lipschutz	2/195.5	
3,128,474	*	4/1964	Feldman	2/195.6	
5,630,230	*	5/1997	Fujino et al.	2/200.1	
5,915,534	*	6/1999	May	2/181.4	

* cited by examiner

Primary Examiner—Paula A. Mortimer

(74) *Attorney, Agent, or Firm*—Richard C. Litman

(57) **CLAIM**

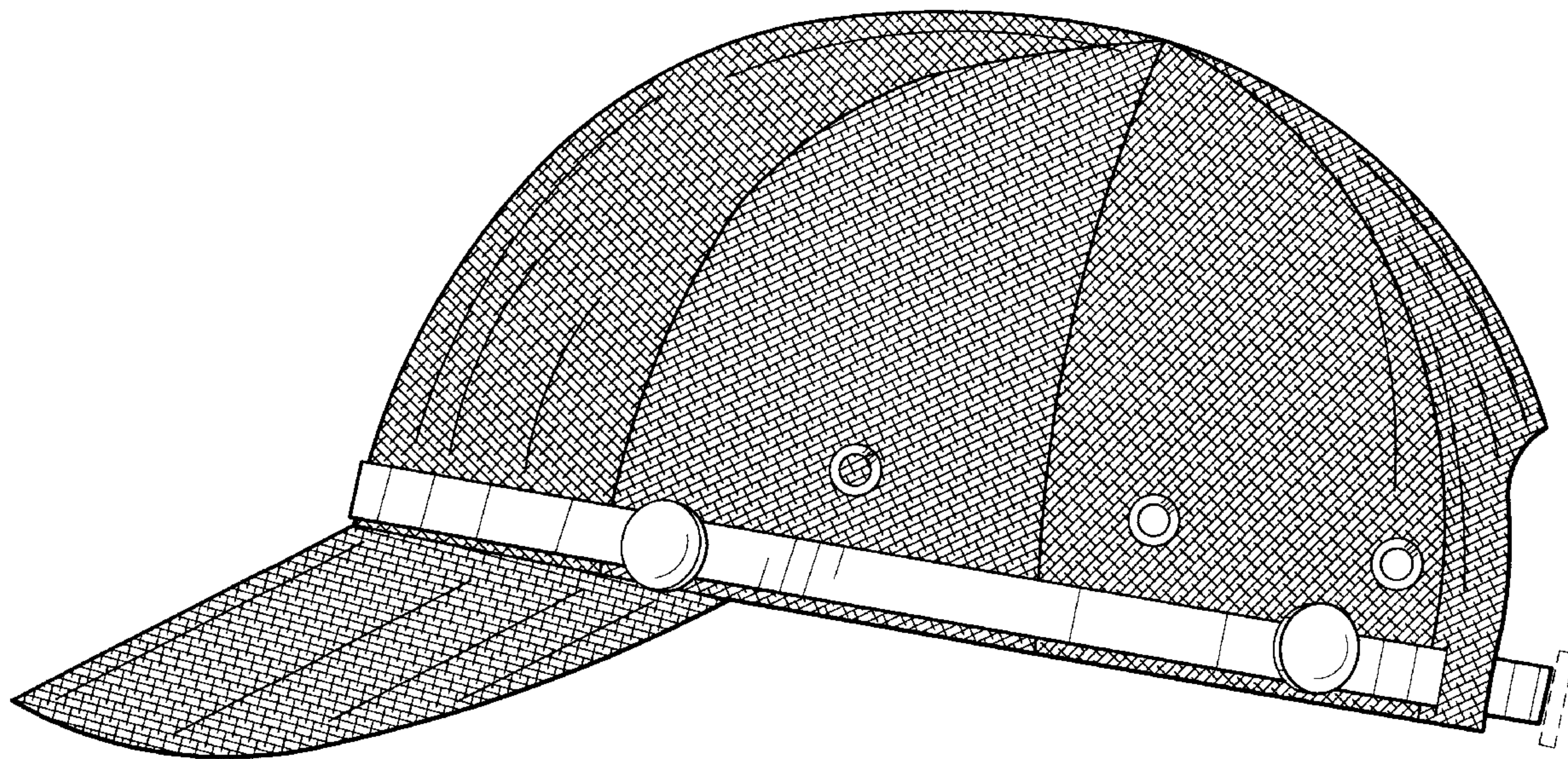
The ornamental design for a straw cap, as shown and described.

DESCRIPTION

FIG. 1 is a front elevational view of a straw cap showing my new design;
FIG. 2 is a rear elevational view thereof;
FIG. 3 is a right side elevational view with the left side being a mirror image thereof; and,
FIG. 4 is a top view thereof.

The broken line showing of the buckle in FIGS. 1, 2, 3, and 4 and a portion of the strap in FIG. 4 is for illustrative purposes only and forms no part of the claimed design.

1 Claim, 4 Drawing Sheets



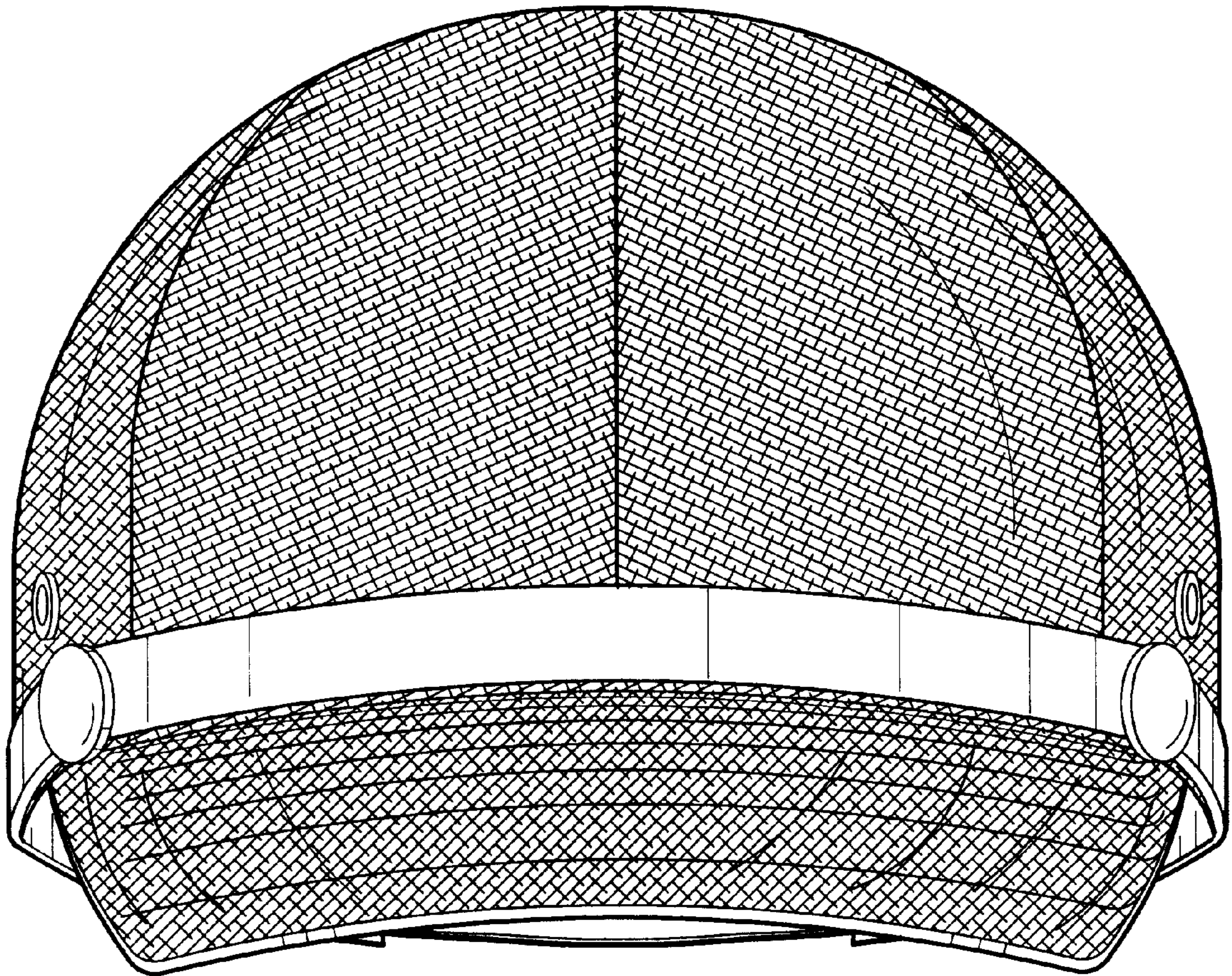


FIG. 1

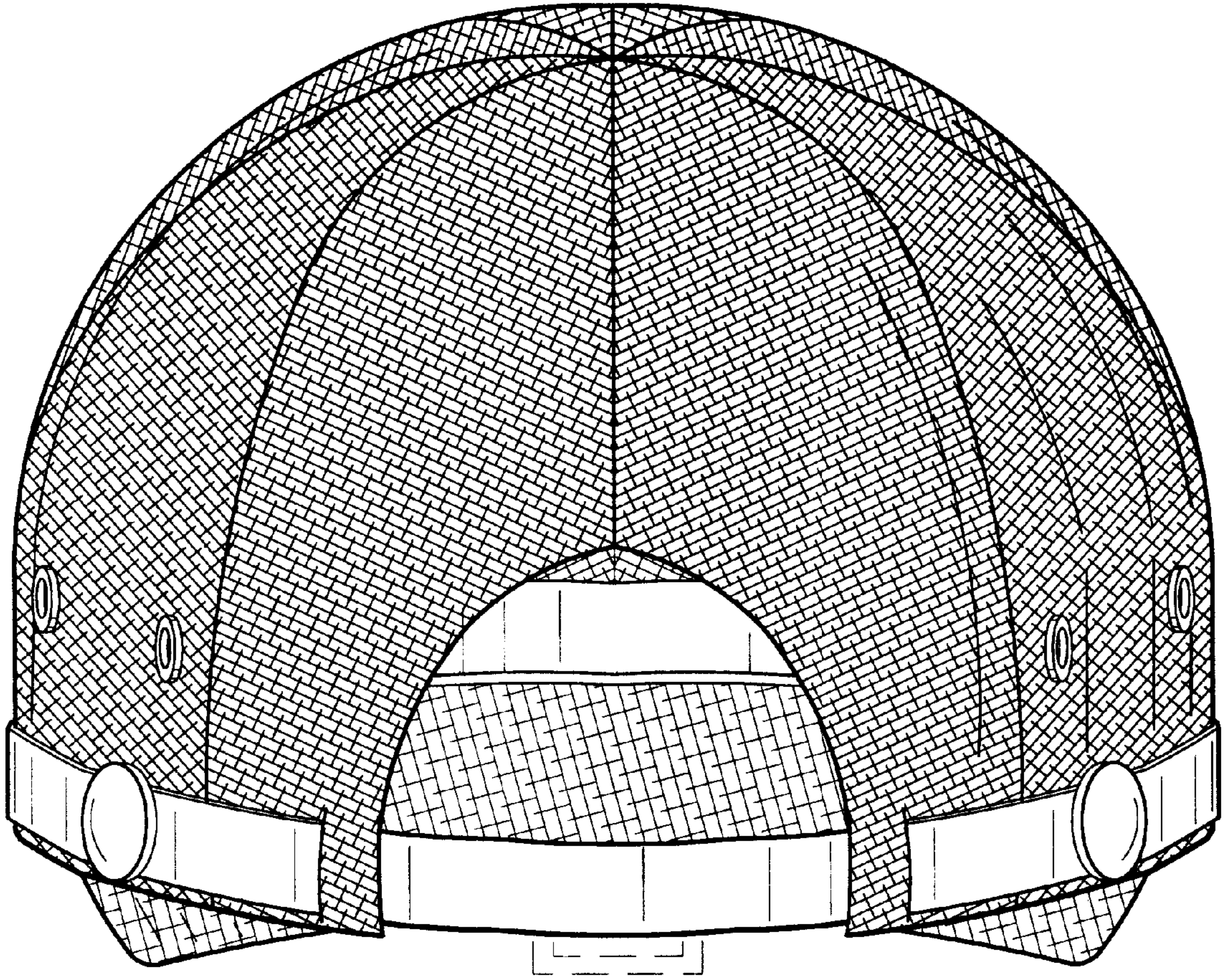


FIG. 2

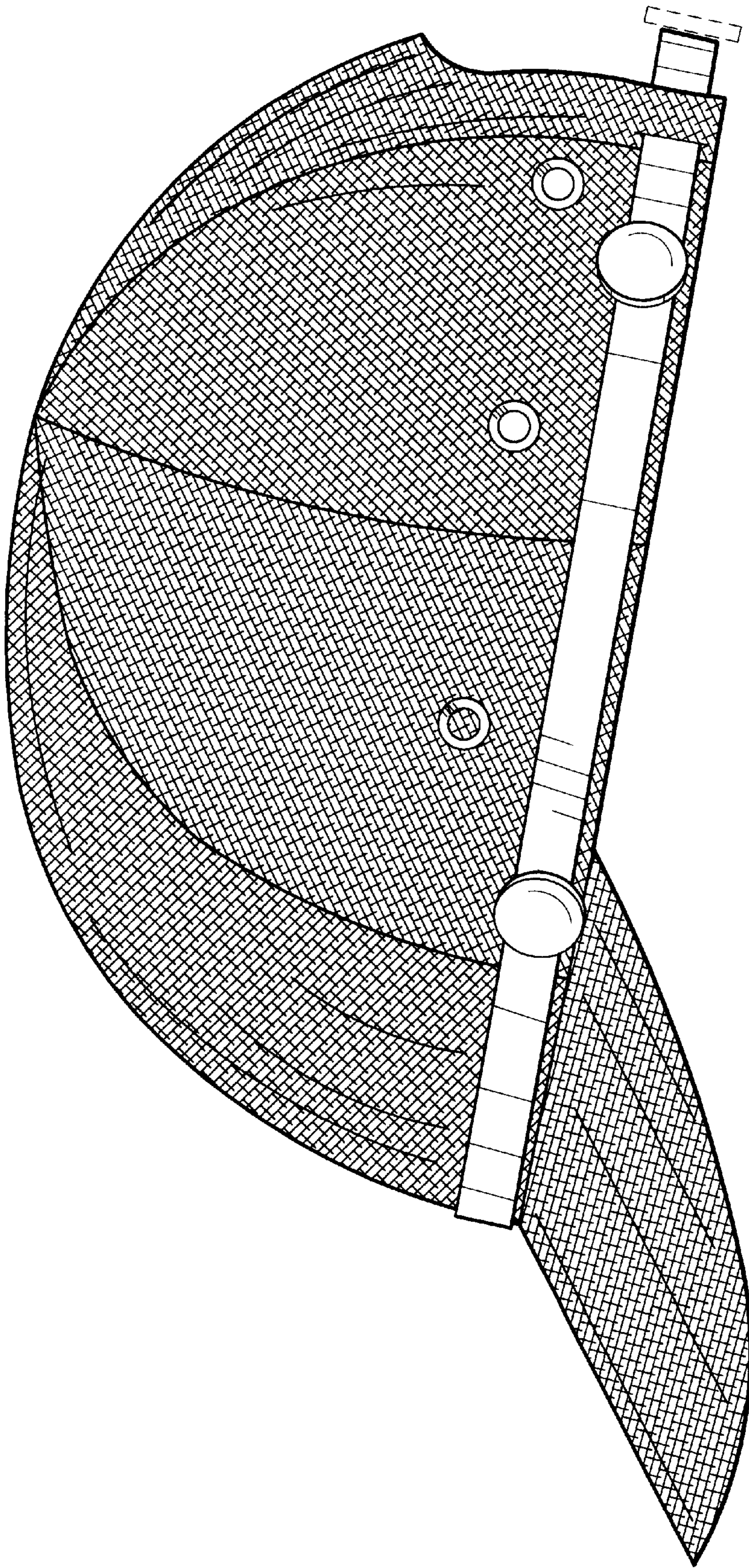


FIG. 3

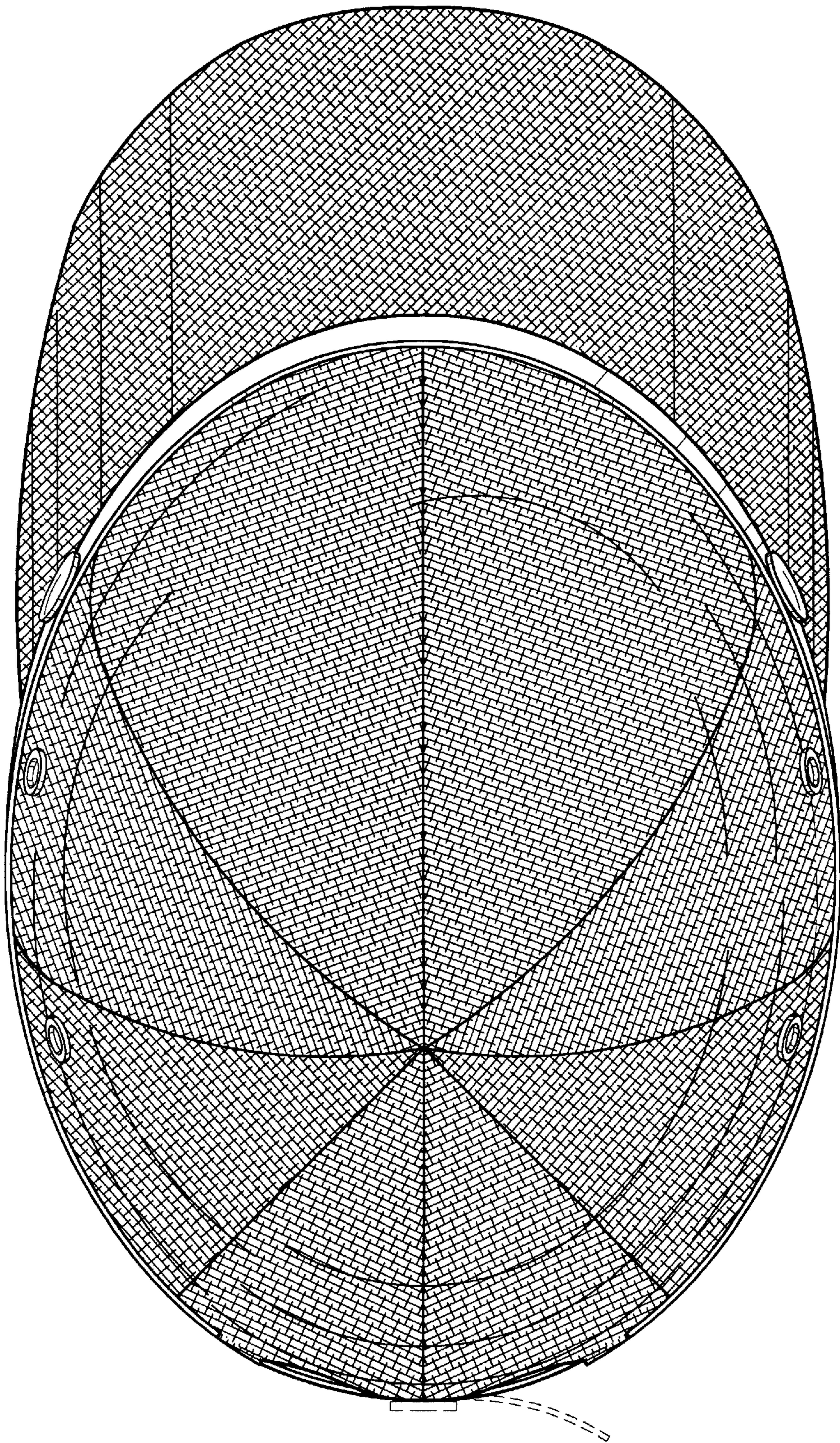


FIG. 4