



US00D442351S

(12) **United States Design Patent**
Moxey, Jr.

(10) **Patent No.:** **US D442,351 S**

(45) **Date of Patent:** **** May 22, 2001**

(54) **SEATBELT PROTECTION DEVICE FOR CHILDREN**

(76) **Inventor:** **Charles U. Moxey, Jr.**, 8001 Poinsetta Ave., Cape Canaveral, FL (US) 32920

(**) **Term:** **14 Years**

(21) **Appl. No.:** **29/130,018**

(22) **Filed:** **Sep. 26, 2000**

(51) **LOC (7) Cl.** **02-07**

(52) **U.S. Cl.** **D2/639**

(58) **Field of Search** D2/624, 639, 640;
D11/200, 212, 218; D8/383, 396; D3/215,
327; 24/129 A, 197, 198, 200; 224/264;
2/300, 311, 321, 335

(56) **References Cited**

U.S. PATENT DOCUMENTS

D. 25,937	*	8/1896	Hickman	D2/639
D. 339,909	*	10/1993	Burton	D2/639
D. 354,677	*	1/1995	Troyer	D8/396
D. 355,768	*	2/1995	Cook	D3/327

D. 379,108	*	5/1997	Munoz	D2/639
D. 389,286	*	1/1998	Celestina-Kreuh et al.	D2/624
758,146	*	4/1904	Peterson	24/198 X
4,222,157	*	9/1980	Forman	24/129 A

* cited by examiner

Primary Examiner—Paula A. Mortimer

(74) *Attorney, Agent, or Firm*—John D. Gugliotta

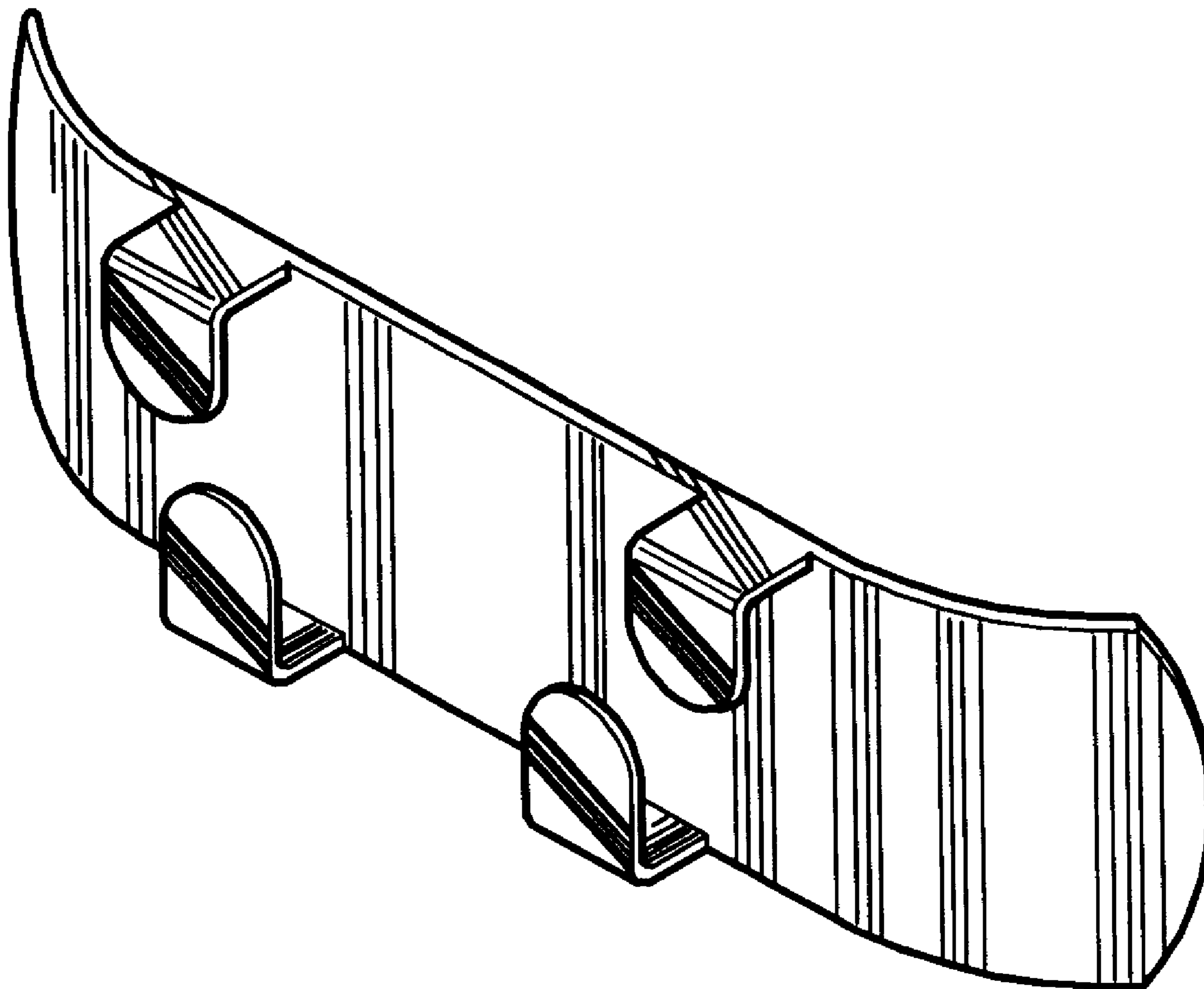
(57) **CLAIM**

The ornamental design for a seatbelt protection device for children, as shown and described.

DESCRIPTION

FIG. 1 is a perspective view of a seatbelt protection device for children showing my new design;
FIG. 2 is a front elevational view thereof;
FIG. 3 is a rear elevational view thereof;
FIG. 4 is a left side elevational view thereof;
FIG. 5 is a right side elevational view thereof;
FIG. 6 is a top plan view thereof; and,
FIG. 7 is a bottom plan view thereof.

1 Claim, 3 Drawing Sheets



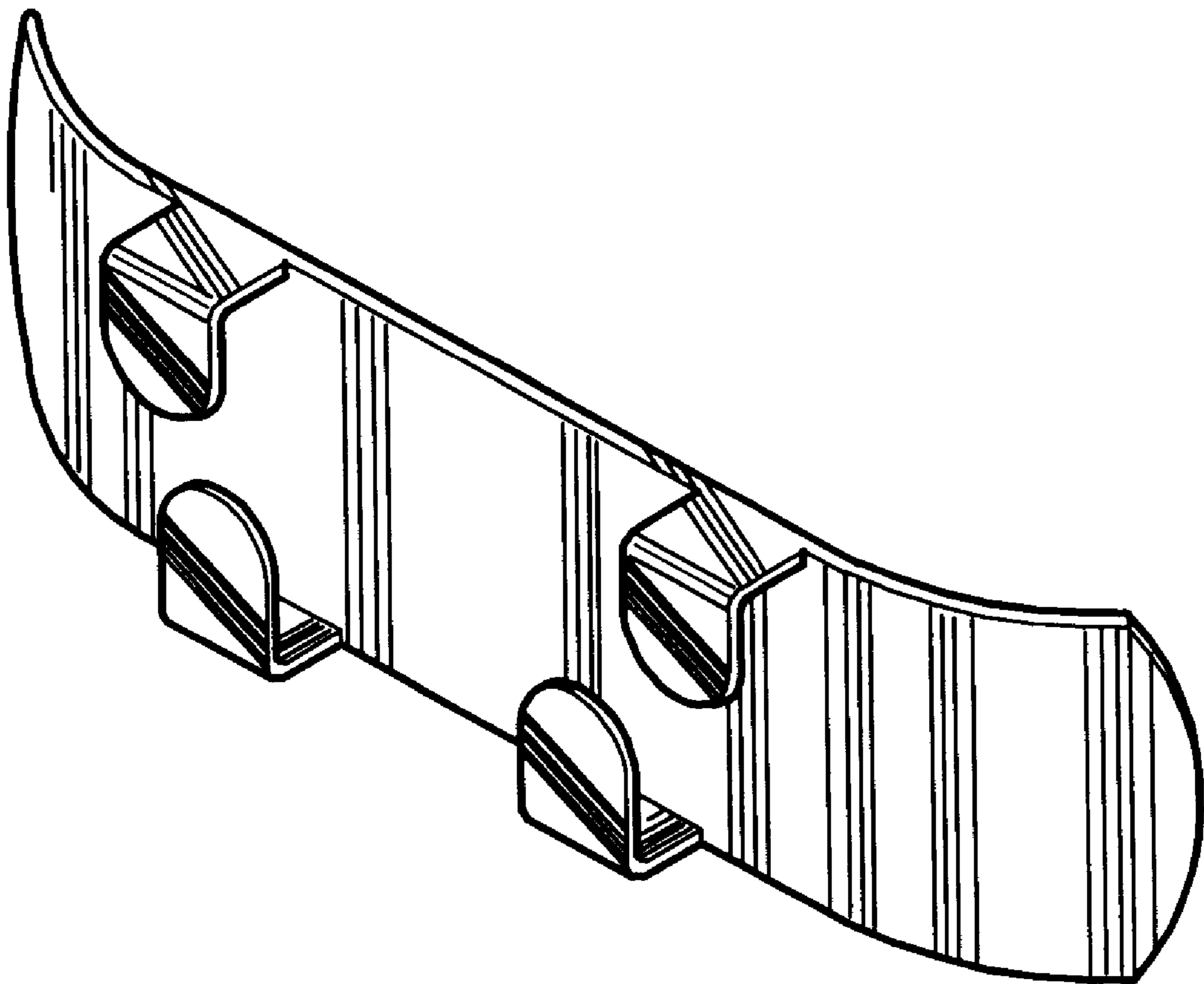


Figure 1

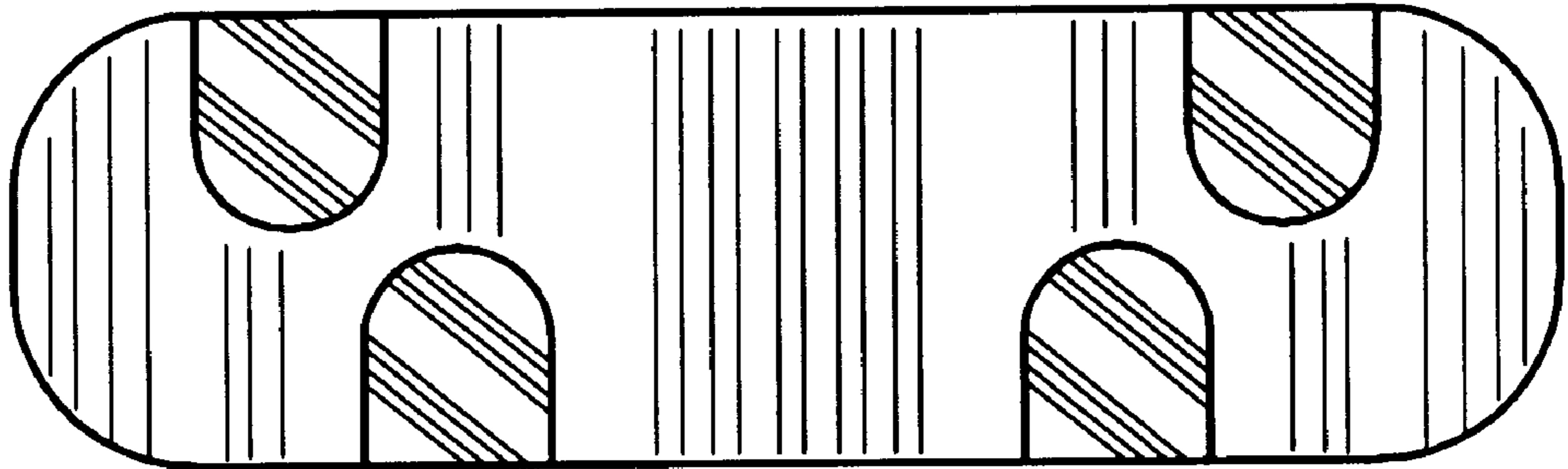


Figure 2

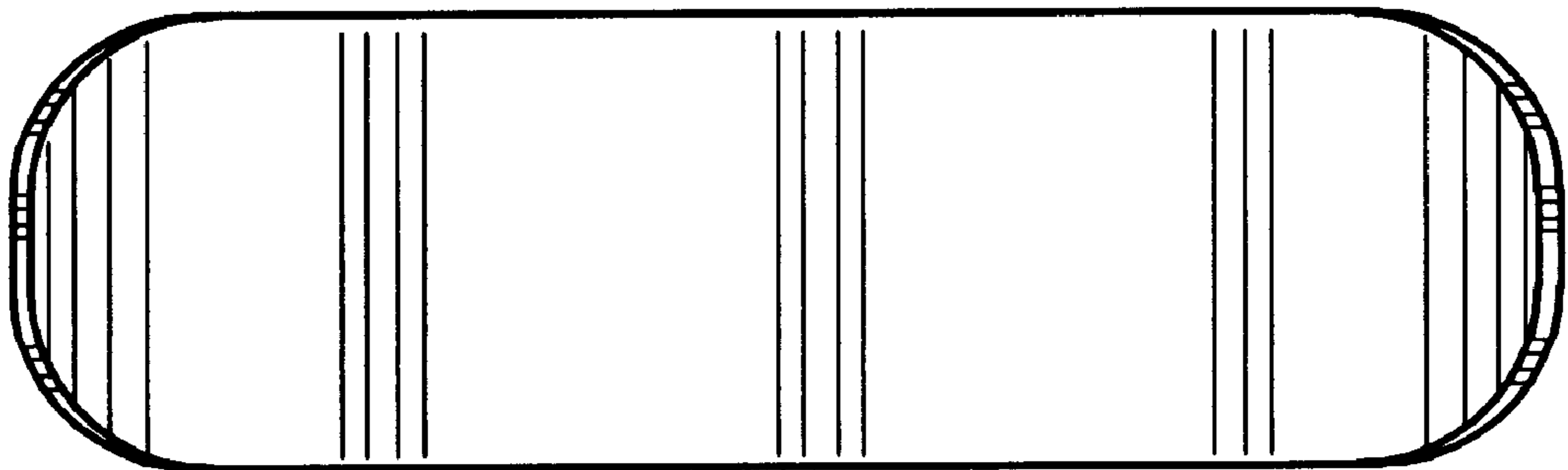


Figure 3

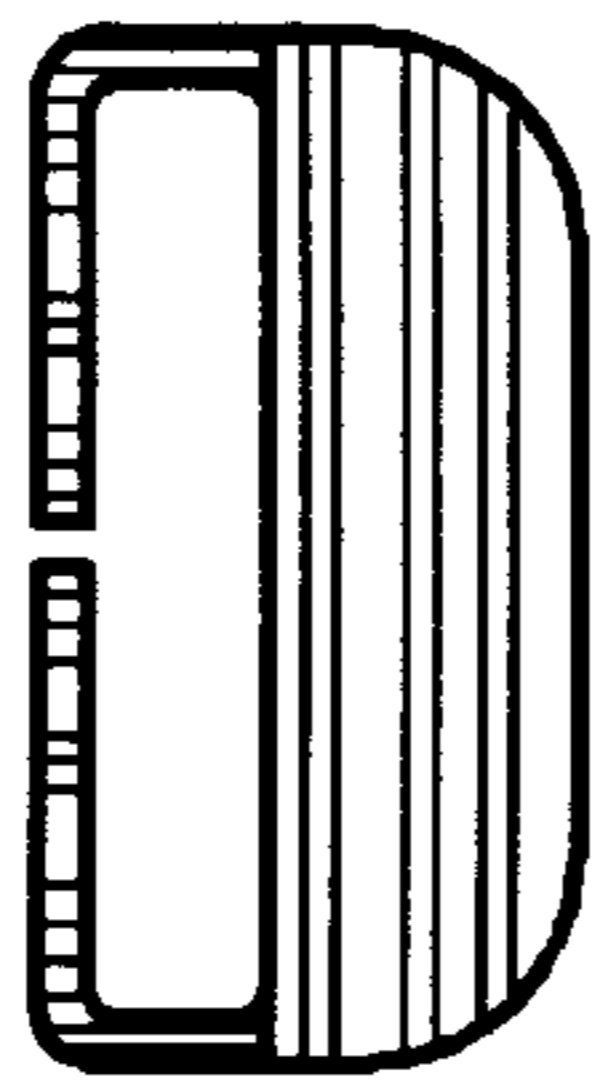


Figure 4

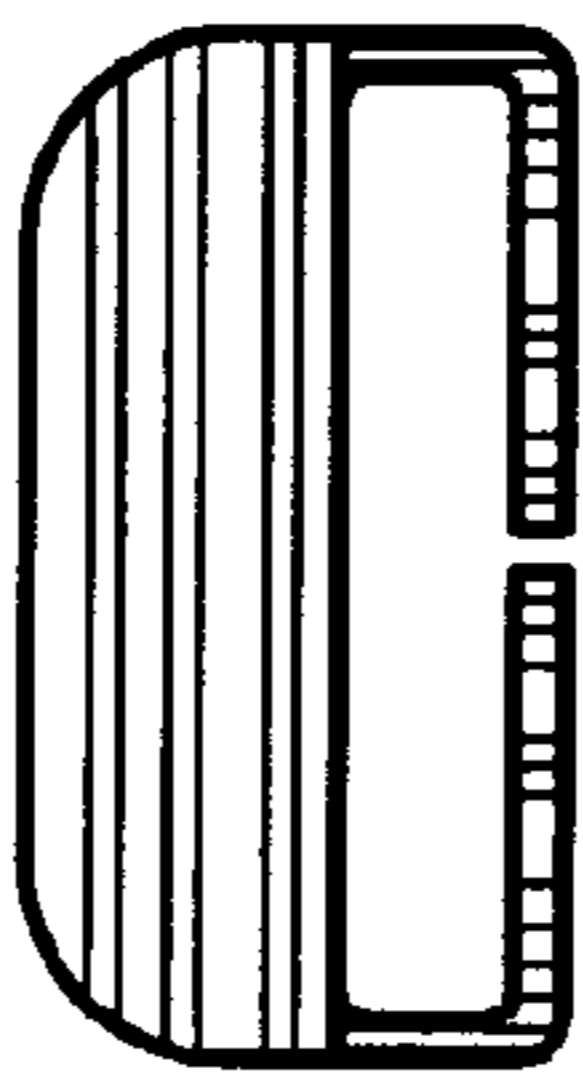


Figure 5

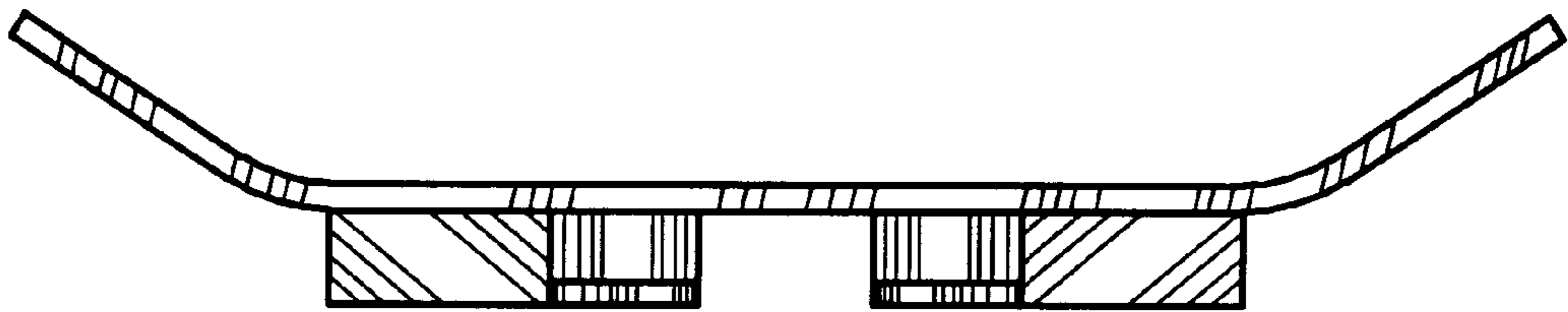


Figure 6

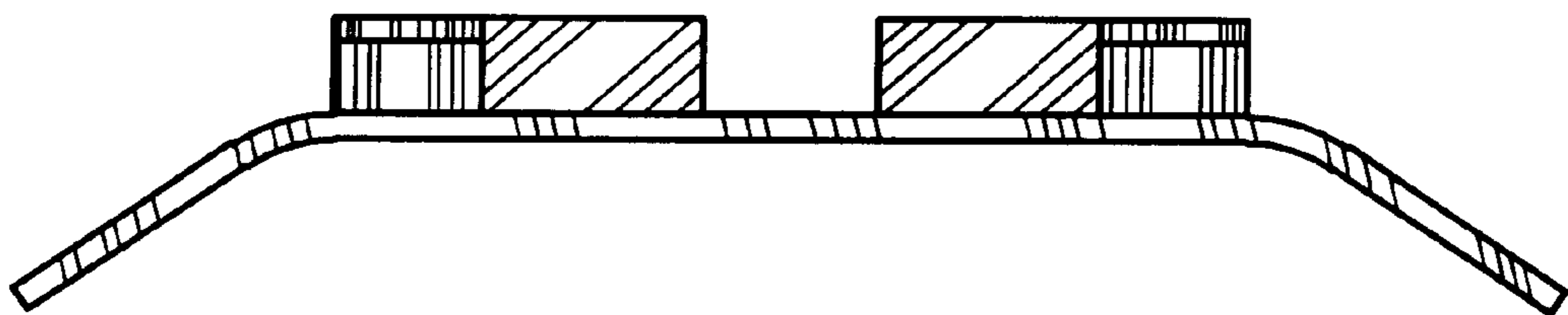


Figure 7