



US00D442345S

(12) **United States Design Patent**
Lee et al.

(10) **Patent No.:** **US D442,345 S**

(45) **Date of Patent:** **** May 15, 2001**

- (54) **TROLLEY JACK**
- (75) Inventors: **Judy Lee, Kowloon (HK); Johnny Chang, Redmond, WA (US)**
- (73) Assignee: **Test Rite Products Corporation, Buena Park, CA (US)**
- (**) Term: **14 Years**
- (21) Appl. No.: **29/121,624**
- (22) Filed: **Apr. 10, 2000**
- (51) **LOC (7) Cl.** **12-05**
- (52) **U.S. Cl.** **D34/31**
- (58) **Field of Search** **D34/31, 28; 254/8 B, 254/9 B**

4,018,421	*	4/1977	Tallman	254/8 B
4,846,443	*	7/1989	Collins et al.	254/8 B
4,850,568	*	7/1989	Hung	254/8 B
5,042,777	*	8/1991	Appelbaum	254/8 B
5,201,494	*	4/1993	Lundman	254/8 B
5,221,073	*	6/1993	Shockley	254/8 B
5,551,668	*	9/1996	Hung	254/8 B
5,878,996	*	3/1999	Loan	254/8 B

* cited by examiner

Primary Examiner—Cynthia E Ramirez
(74) *Attorney, Agent, or Firm*—Sheppard, Mullin, Richter & Hampton LLP; James R. Brueggemann

(57) **CLAIM**

The ornamental design for a trolley jack.

DESCRIPTION

FIG. 1 is a perspective view showing the design of a trolley jack with a handle wherein a lift bar is shown in broken lines;

FIG. 2 is a top plan view thereof;

FIG. 3 is a left side elevational view thereof;

FIG. 4 is a bottom plan view thereof;

FIG. 5 is a right side elevational view thereof;

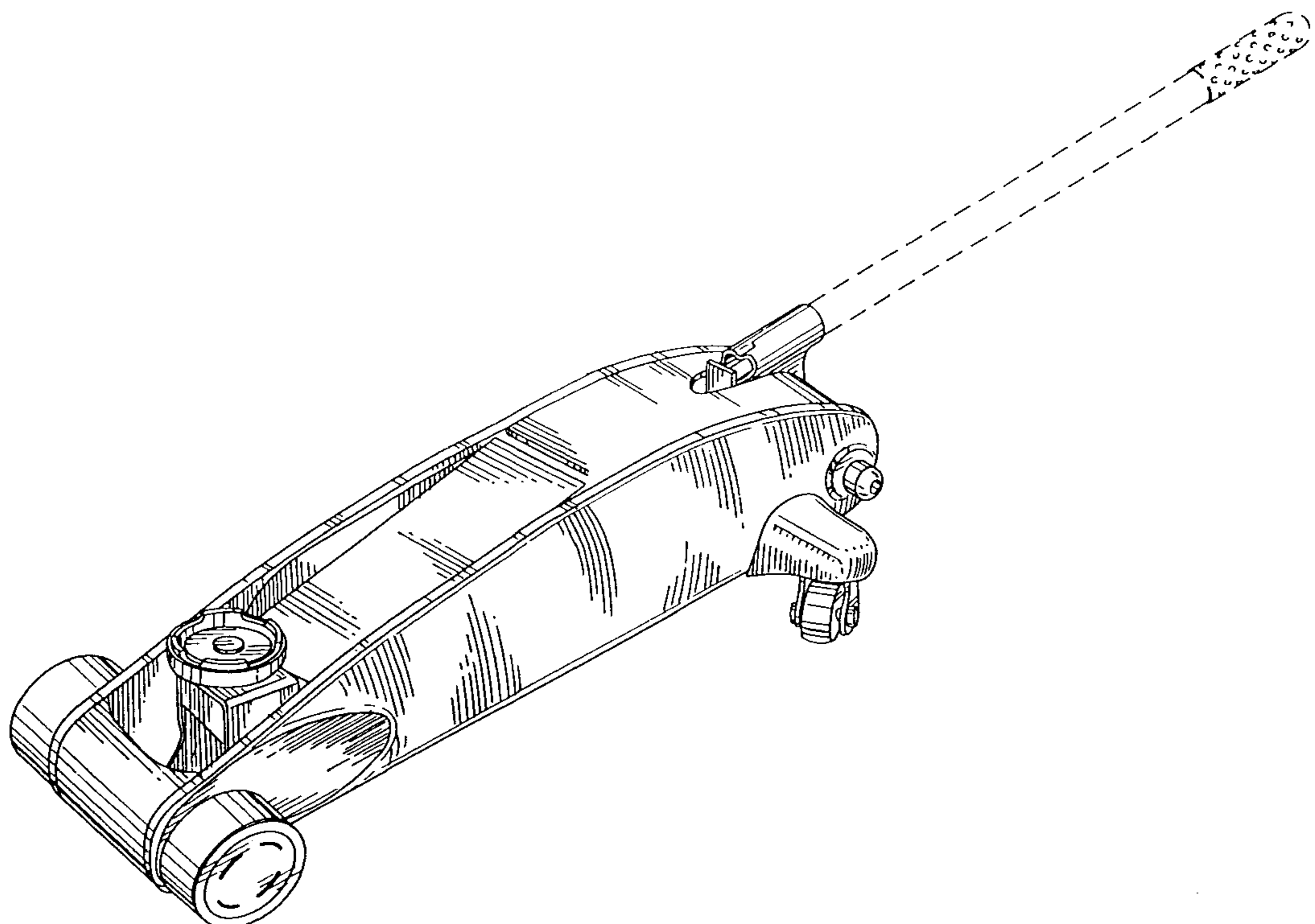
FIG. 6 is a rear elevational view thereof; and,

FIG. 7 is a front elevational view thereof.

The broken line showing of the handle in FIG. 1 is for illustrative purposes only and forms no part of the claimed design.

- (56) **References Cited**
- U.S. PATENT DOCUMENTS**
- D. 109,498 * 5/1938 Pfauiser D34/31
- D. 109,499 * 5/1938 Pfauiser D34/31
- D. 253,696 * 12/1979 Suzuki D34/31
- D. 263,128 * 2/1982 Glover, Jr. et al. D34/31
- D. 272,670 * 2/1984 Tsujimura D34/31
- D. 296,598 * 7/1988 Hung D34/31
- D. 332,337 * 1/1993 Wang D34/31
- D. 358,923 * 5/1995 Hawkins D34/31
- D. 364,026 * 11/1995 Hung D34/31
- D. 398,730 * 9/1998 Lin D34/31
- D. 416,370 * 11/1999 Hung D34/31
- D. 421,516 * 3/2000 Hung D34/31
- D. 423,750 * 4/2000 Hung D34/31

1 Claim, 3 Drawing Sheets



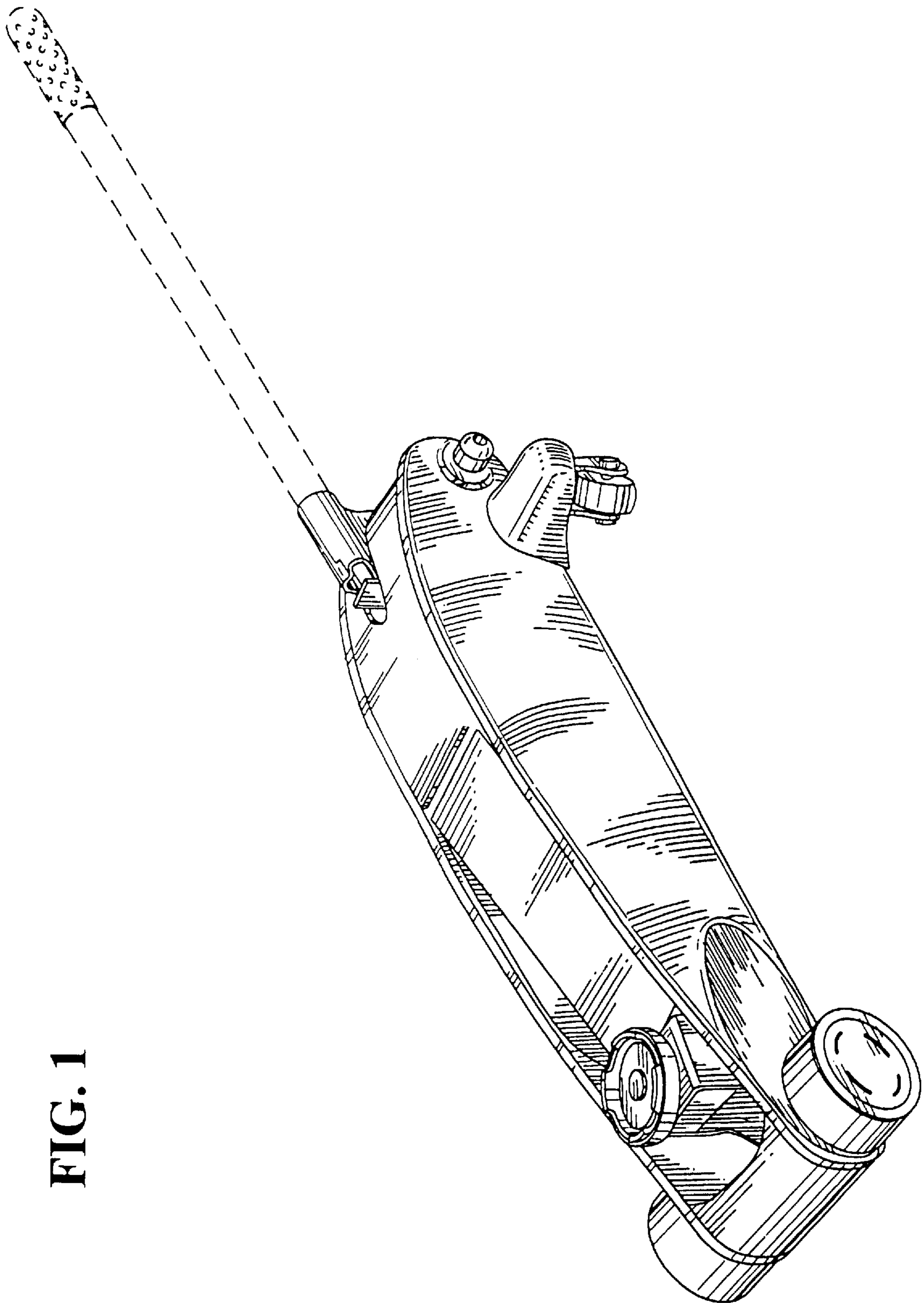


FIG. 1

FIG. 2

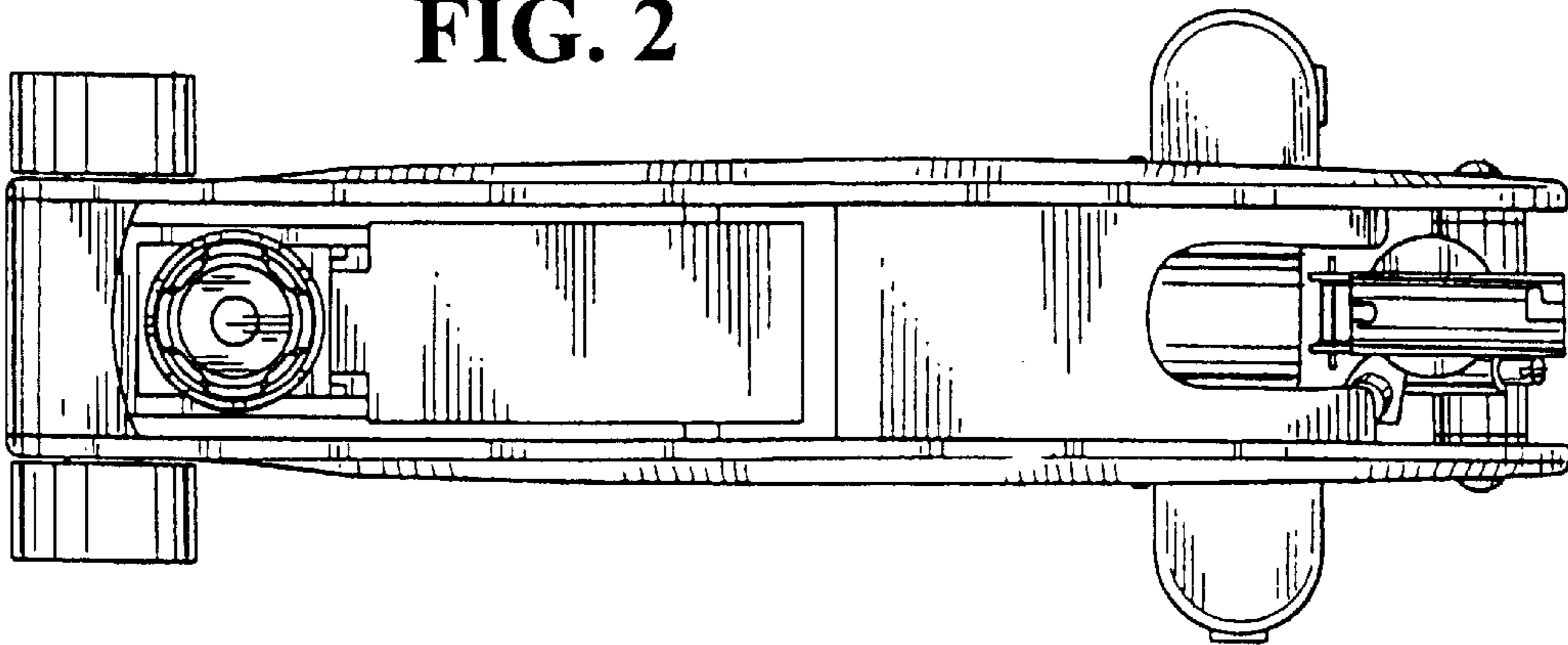


FIG. 3

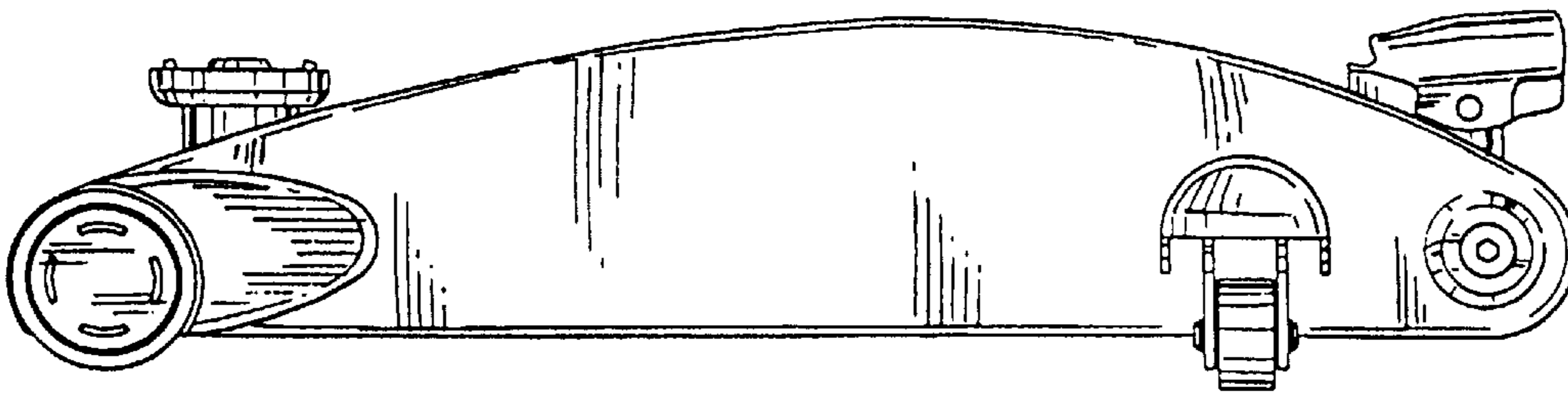


FIG. 4

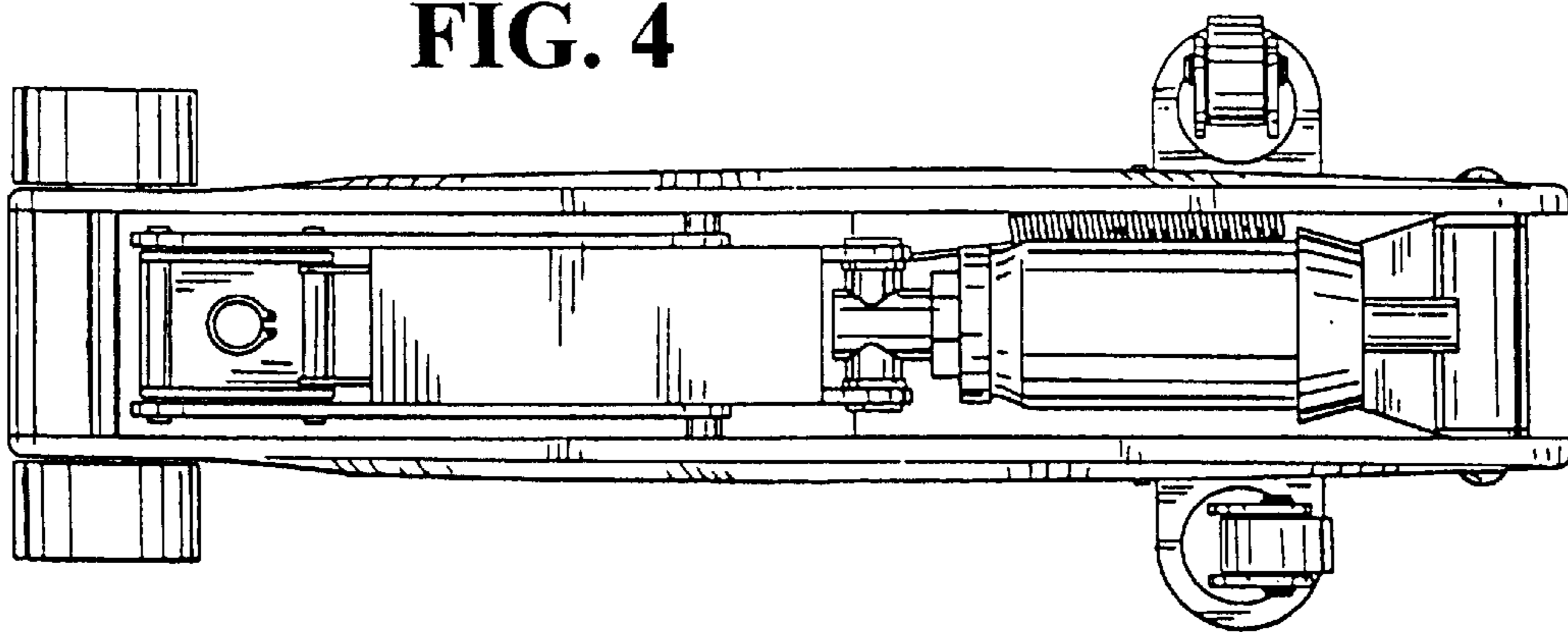


FIG. 5

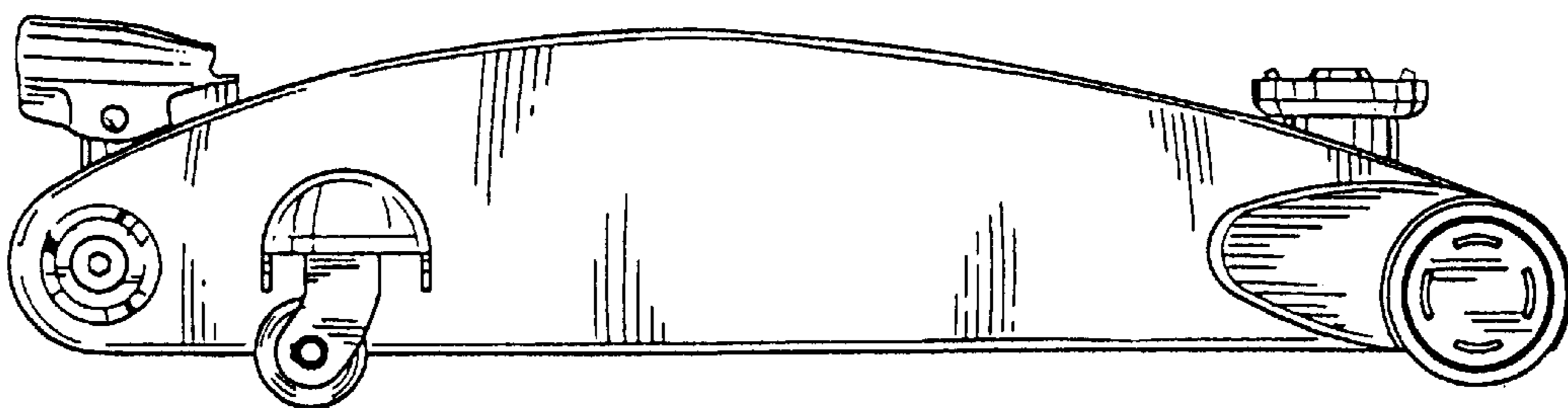


FIG. 6

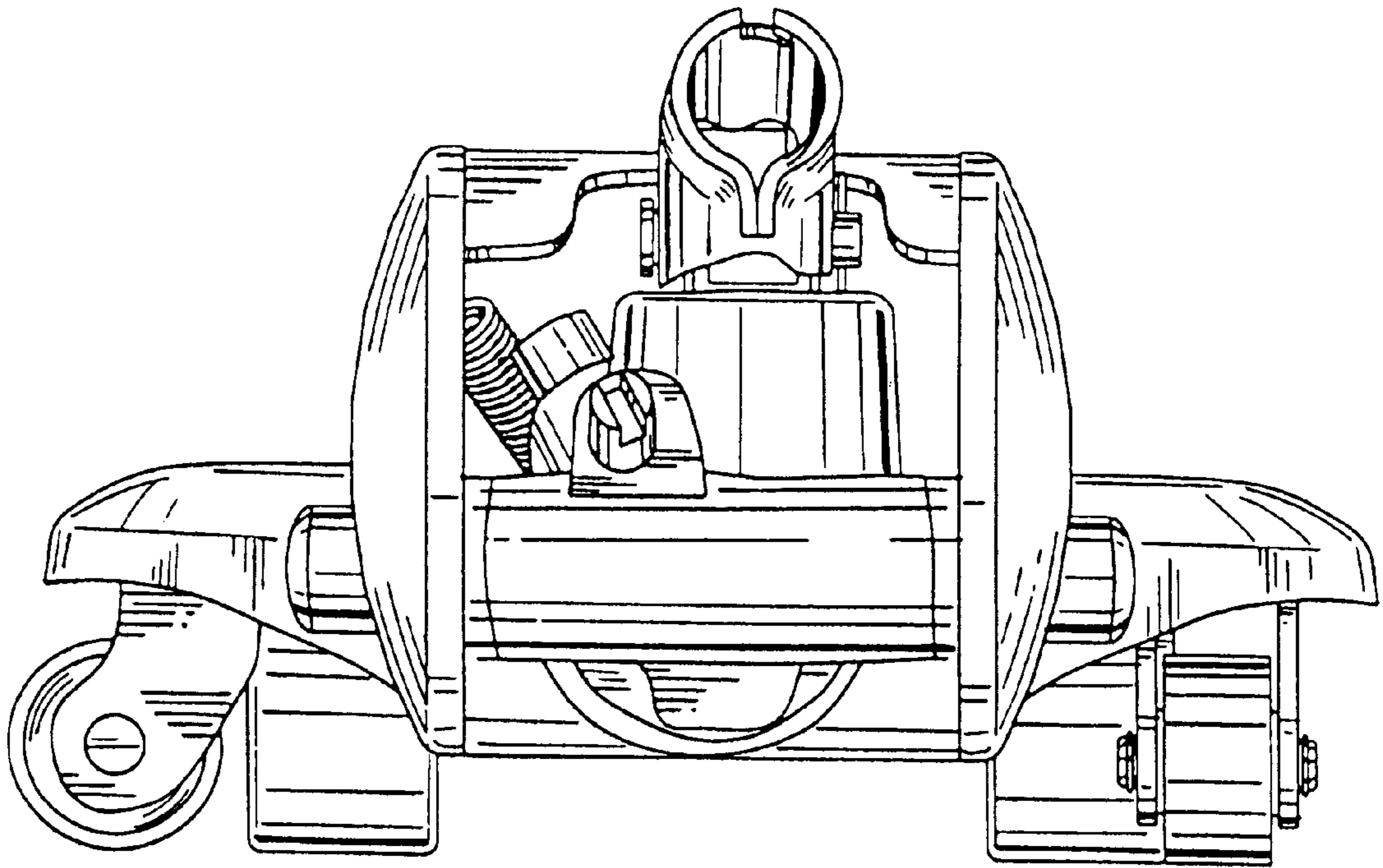


FIG. 7

