



US00D442341S

(12) **United States Design Patent**
Morgan

(10) **Patent No.:** **US D442,341 S**

(45) **Date of Patent:** **** May 15, 2001**

(54) **FREE STANDING ANIMAL FEEDING STAND**

FOREIGN PATENT DOCUMENTS

(76) Inventor: **Timothy J. Morgan**, 623 Mt. Zion Rd.,
Alto, GA (US) 30510

2 142 896 1/1985 (GB) .
7-241211 7/1995 (JP) .

(**) Term: **14 Years**

* cited by examiner

(21) Appl. No.: **29/128,276**

Primary Examiner—Lisa Lichtenstein
(74) *Attorney, Agent, or Firm*—Hinkle & Associates, P.C.

(22) Filed: **Aug. 21, 2000**

(57) **CLAIM**

(51) **LOC (7) Cl.** **30-03**

The ornamental design for a free standing animal feeding stand, as shown and described.

(52) **U.S. Cl.** **D30/133**

(58) **Field of Search** D30/133; D7/70,
D7/71; 248/311.2, 346.1, 156

DESCRIPTION

(56) **References Cited**

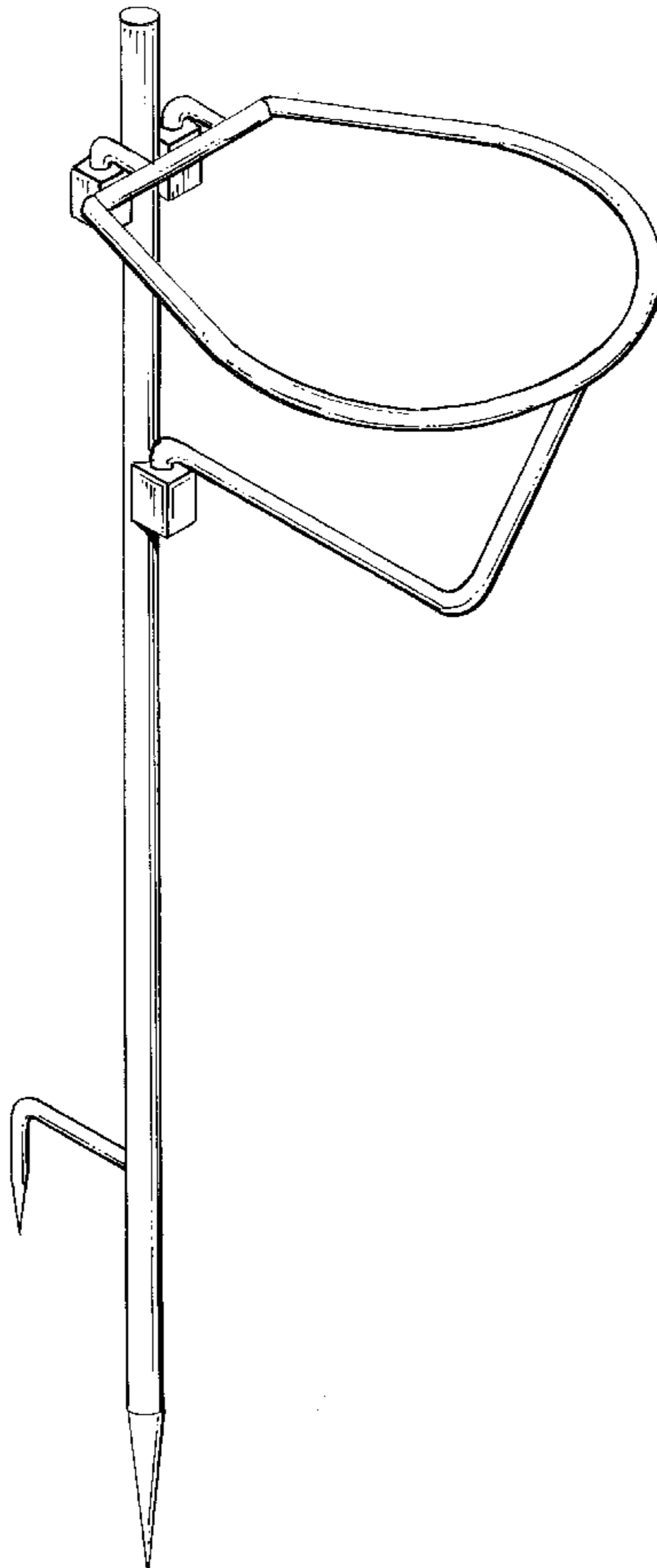
FIG. 1 is an overall perspective view of a free standing animal feeding stand showing any new design;
FIG. 2 is a top plan view thereof;
FIG. 3 is a right side elevational view thereof;
FIG. 4 is a front elevational view thereof;
FIG. 5 is a left side elevational view thereof;
FIG. 6 is a rear elevational view thereof; and,
FIG. 7 is a bottom plan view thereof.

U.S. PATENT DOCUMENTS

D. 302,756	*	8/1989	Trine	D30/133
D. 308,802		6/1990	Ward	.	
3,141,644		7/1964	Baird	.	
3,288,305		11/1966	Bryant et al.	.	
3,750,990		8/1973	Jacobs	.	
3,788,583		1/1974	Byrd	.	
5,033,703		7/1991	Allen, Sr.	.	
5,279,072		1/1994	Garbo	.	
5,570,863		11/1996	Cooper	.	
5,580,015		12/1996	Baker	.	
5,823,496		10/1998	Foley et al.	.	

The broken line showing of the animal feeding bucket is for illustrative environmental purposes only and forms no part of the claimed design.

1 Claim, 3 Drawing Sheets



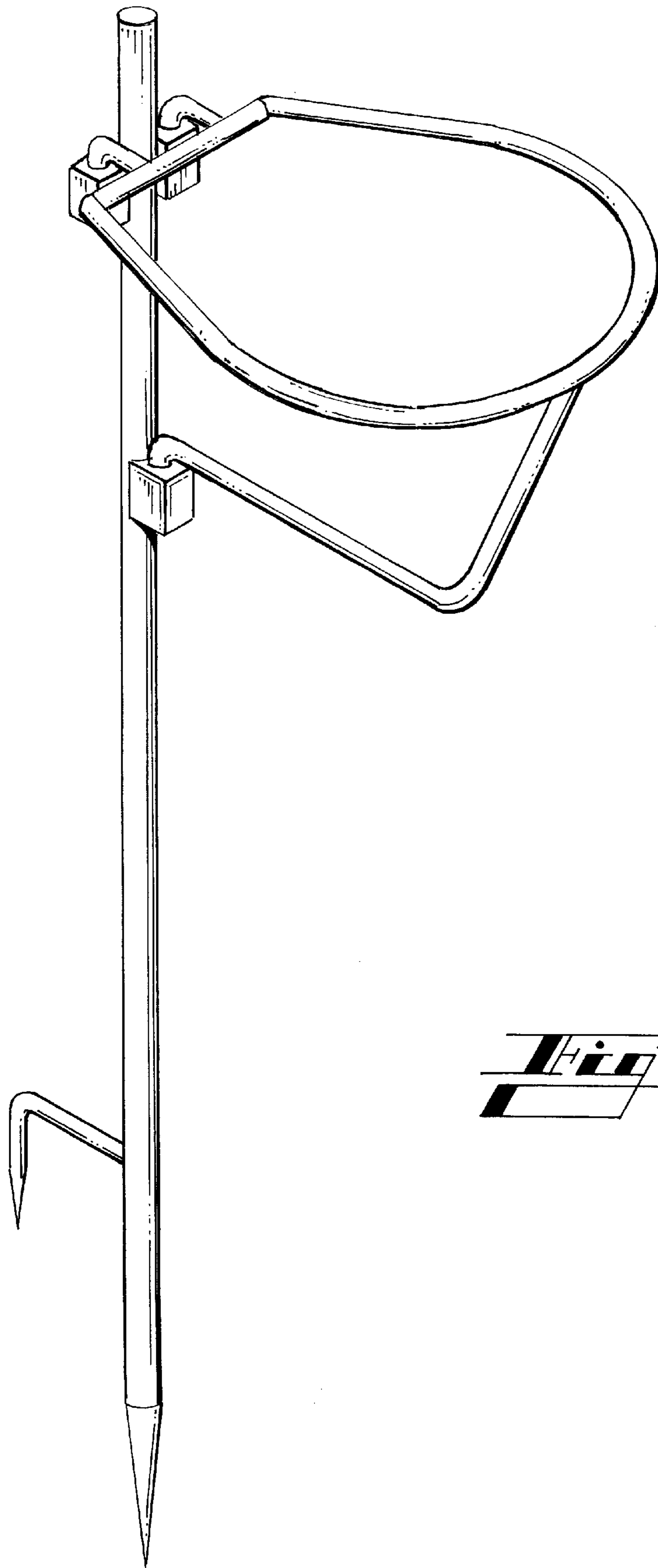


Fig. 1

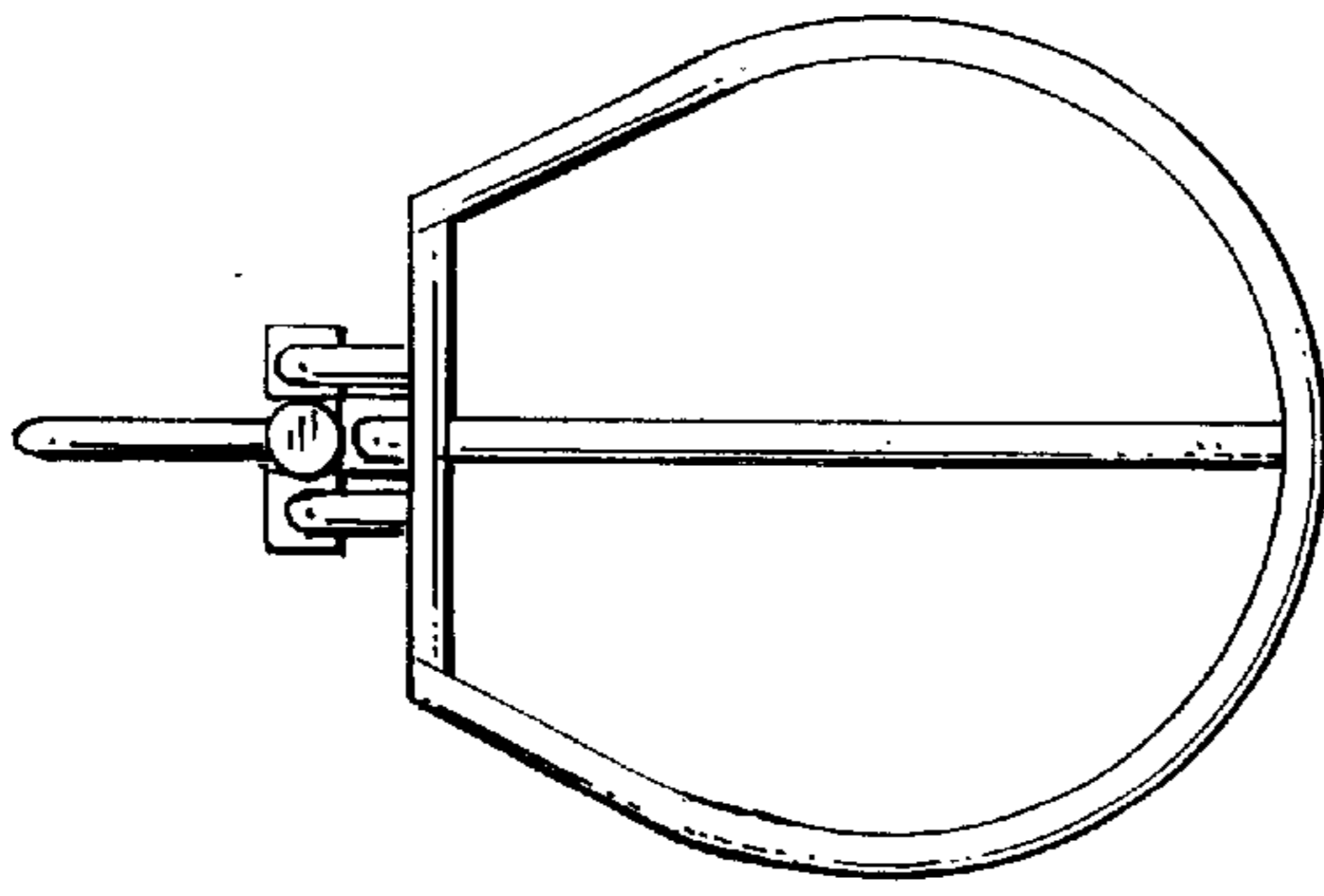


Fig. 2

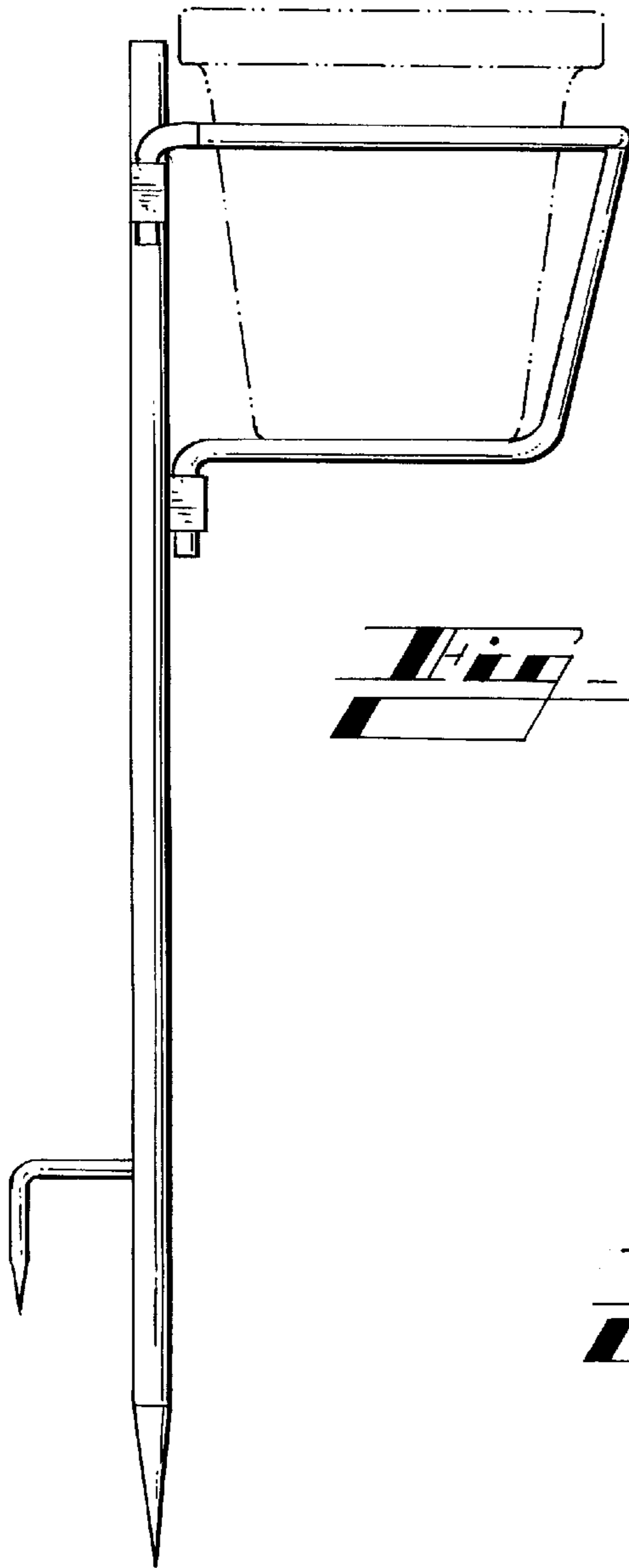


Fig. 3

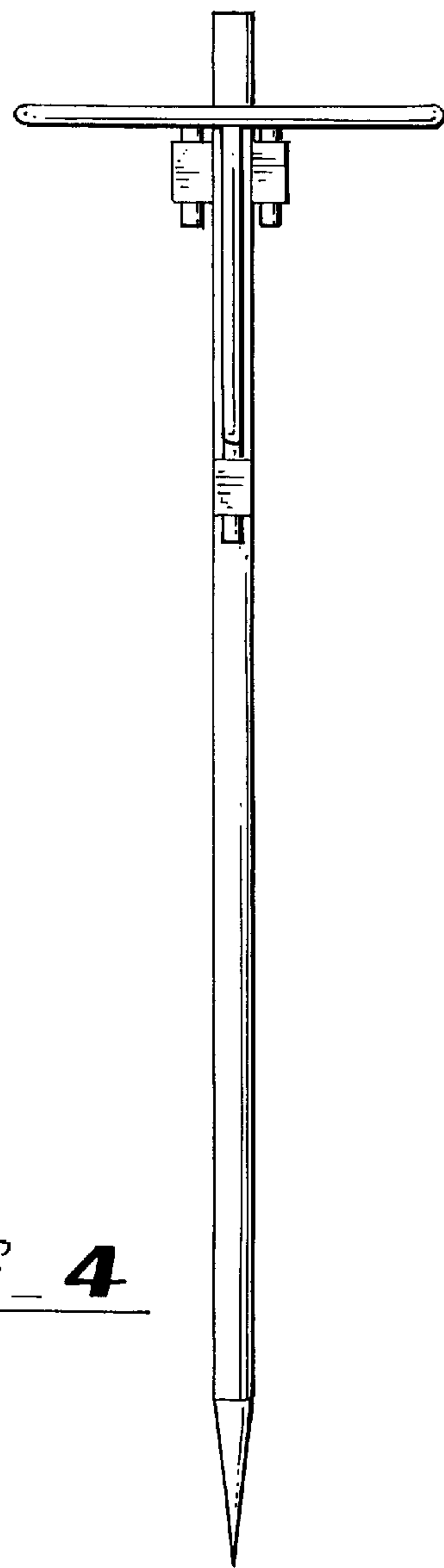


Fig. 4

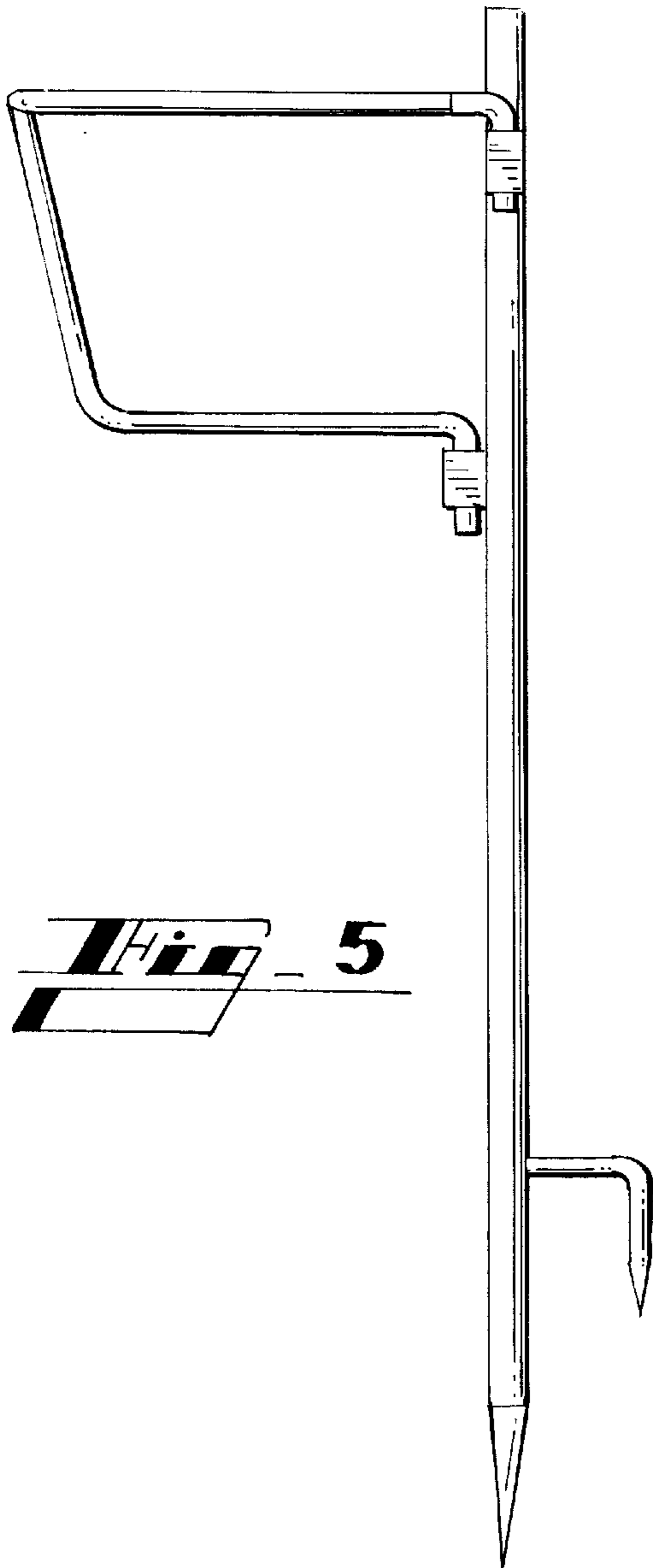


Fig. 5

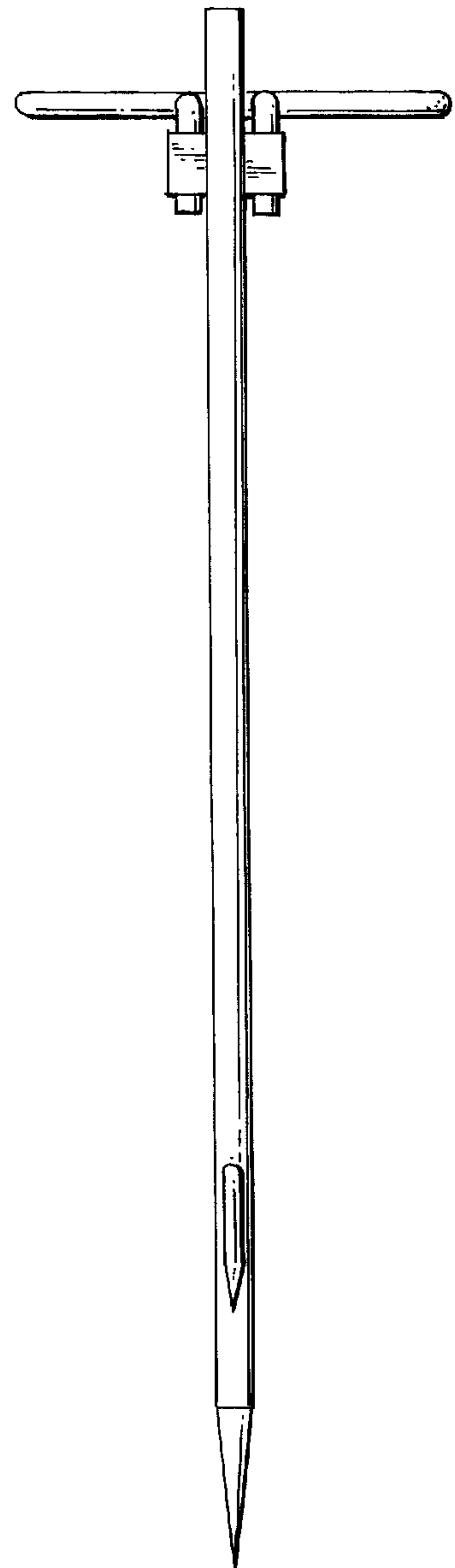


Fig. 6

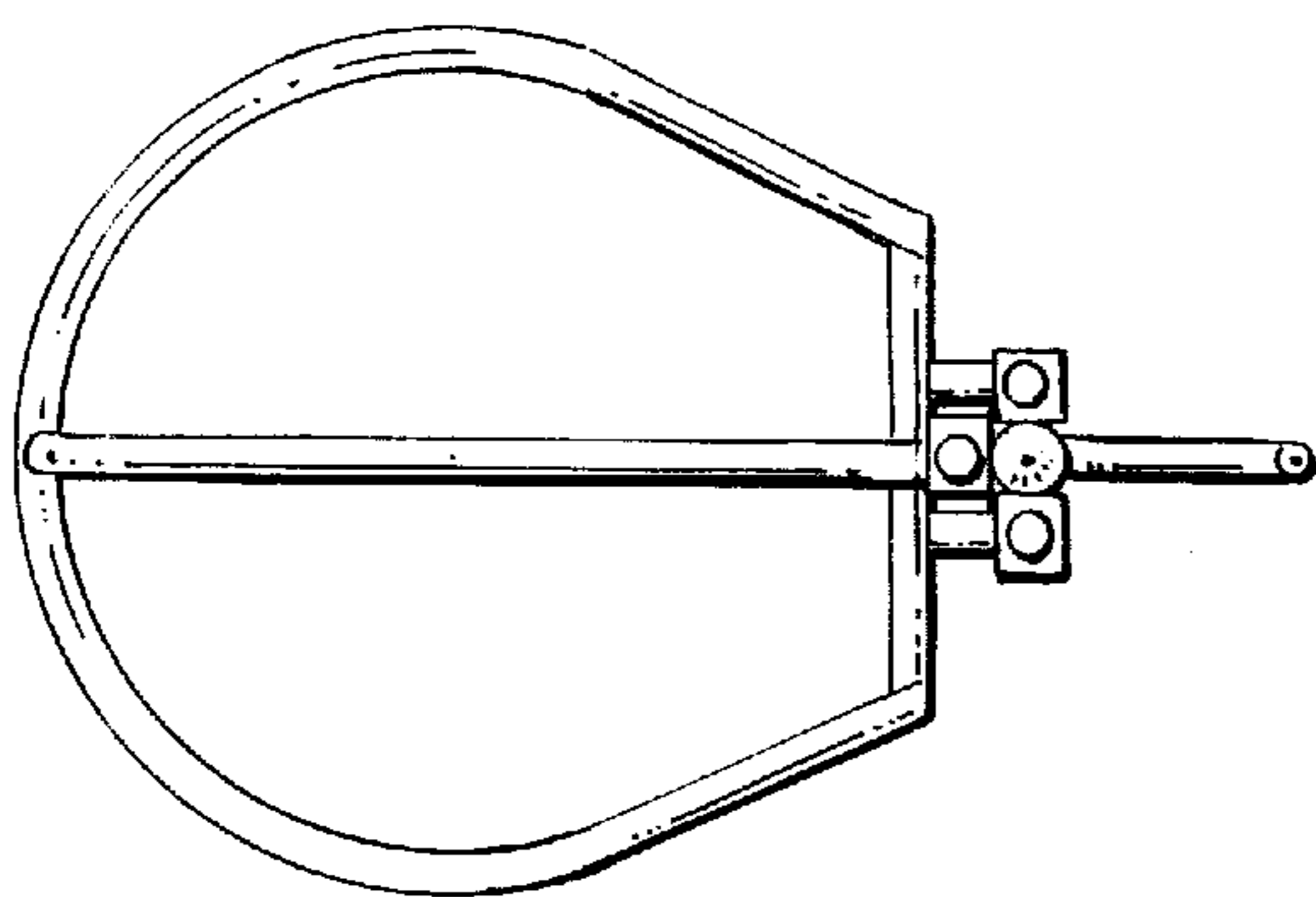


Fig. 7