



US00D442338S

(12) **United States Design Patent**
Roman

(10) **Patent No.:** **US D442,338 S**

(45) **Date of Patent:** **** May 15, 2001**

(54) **COSMETIC JAR WITH PIVOTABLE
PULL-OUT STORAGE DEVICE**

(75) **Inventor:** **Scott C. Roman**, Smithtown, NY (US)

(73) **Assignee:** **Augros, Inc.**, Ronkonkoma, NY (US)

(**) **Term:** **14 Years**

(21) **Appl. No.:** **29/130,900**

(22) **Filed:** **Oct. 11, 2000**

(51) **LOC (7) Cl.** **28-03**

(52) **U.S. Cl.** **D28/82**

(58) **Field of Search** D28/76-83, 91;
D9/420, 423, 424, 422, 341, 504, 520,
529; D3/273-275, 294, 295; 132/293-307,
314-317; 206/581, 823, 235; 220/DIG. 26

(56) **References Cited**

U.S. PATENT DOCUMENTS

D. 175,153	7/1955	Breen	D28/82
D. 210,057	1/1968	Pfrommer	D28/76
D. 398,079	9/1998	Denison	D28/82
D. 406,396	3/1999	Granwehr	D28/7
1,460,950	7/1923	Denney	132/295

1,549,276	8/1925	Loesser	132/295
1,688,042	10/1928	Gaess	132/295 X
1,902,199	3/1933	Tourtois	206/823 X
5,836,319	11/1998	Lombardi	132/287
5,908,037	6/1999	Pierson	132/293
6,041,935	3/2000	Yang	206/581

Primary Examiner—Ted Shooman

Assistant Examiner—C. Tuttle

(74) *Attorney, Agent, or Firm*—Steinberg & Raskin, P.C.

(57) **CLAIM**

The ornamental design for a cosmetic jar with pivotable pull-out storage device, as shown and described.

DESCRIPTION

FIG. 1 is a top, front & left perspective view of a cosmetic jar with pivotable pull-out storage device showing my new design;

FIG. 2 is a front side elevational view thereof;

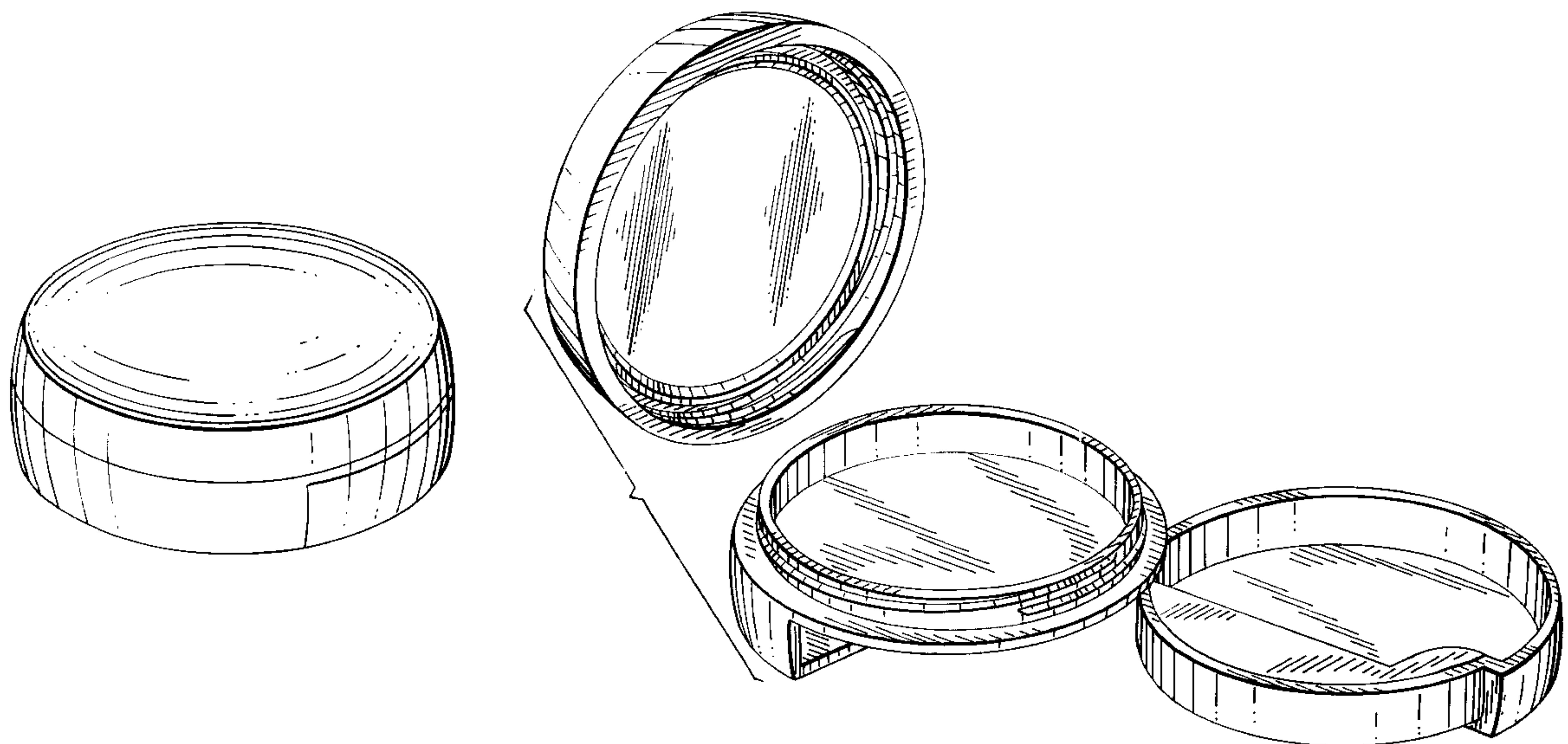
FIG. 3 is a rear elevation view thereof;

FIG. 4 is a right side elevation view thereof;

FIG. 5 is a bottom plan view thereof; and,

FIG. 6 is a front and left perspective view in an open condition thereof.

1 Claim, 3 Drawing Sheets



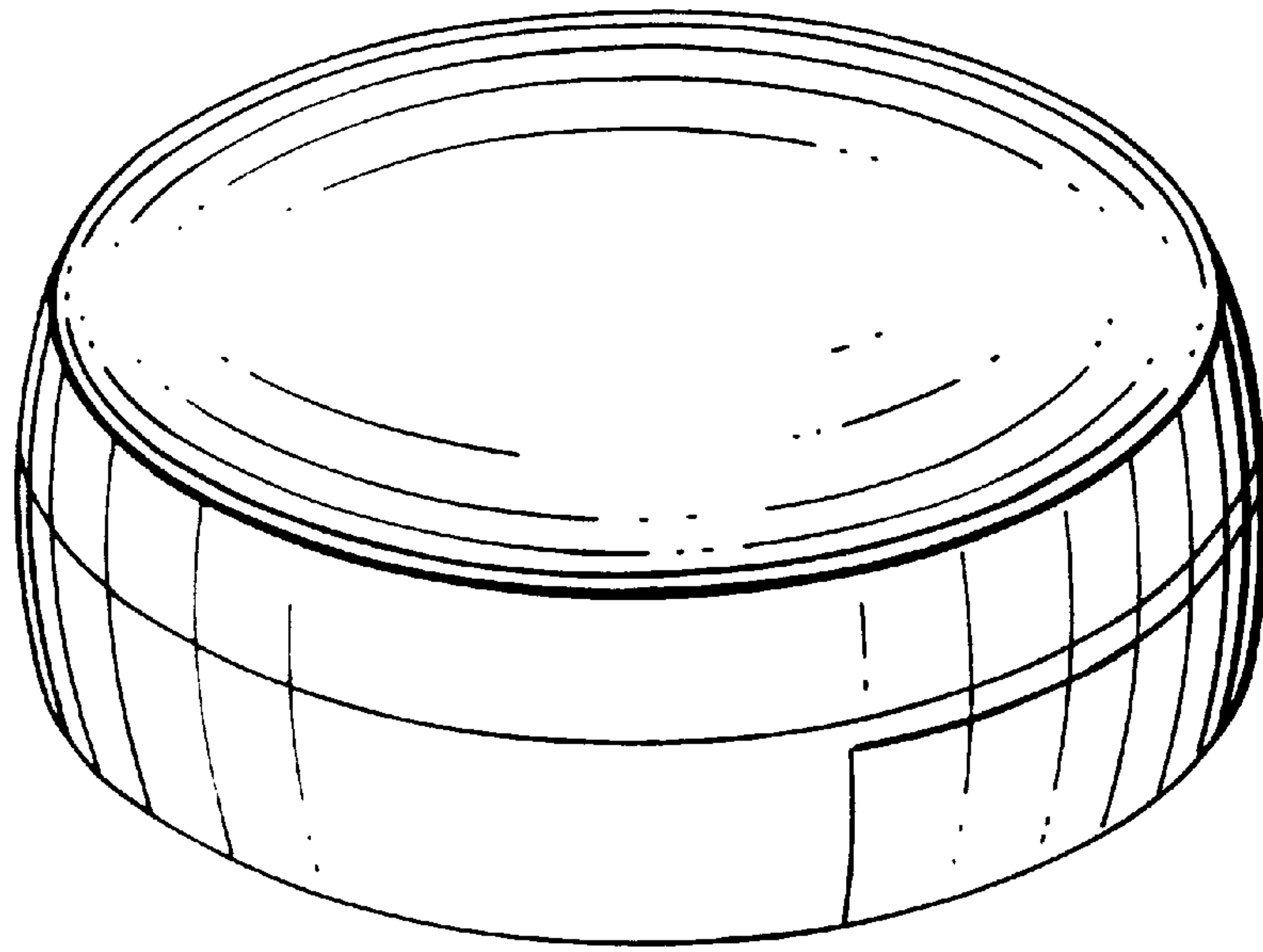


FIG. 1

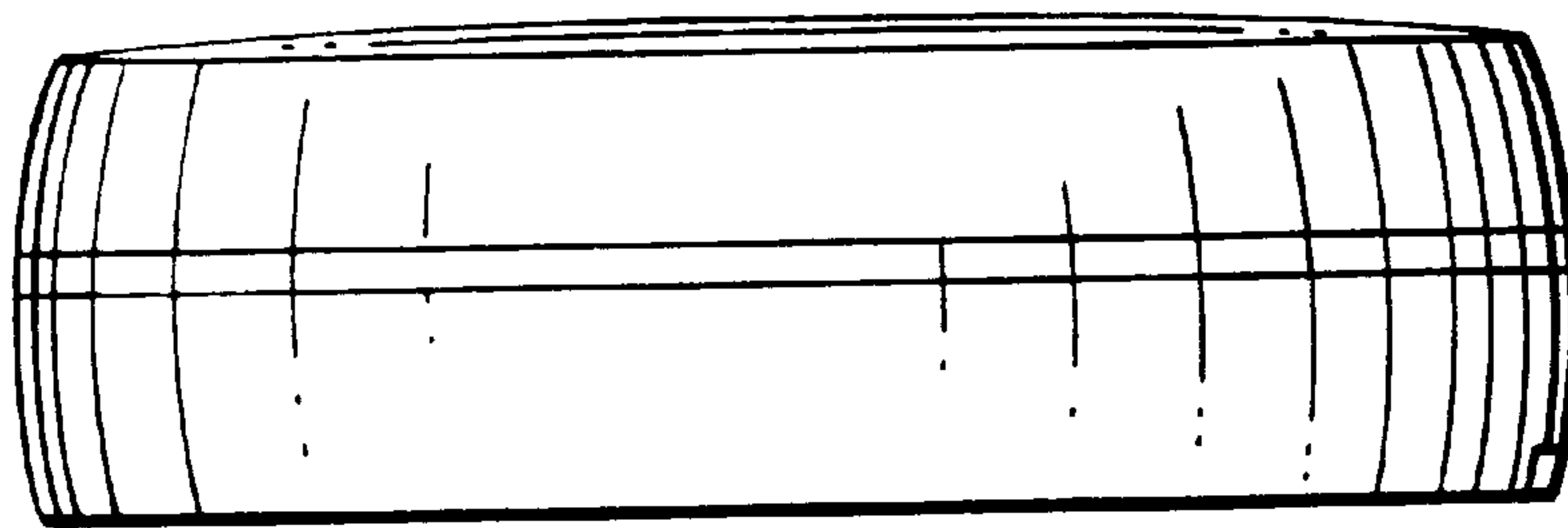


FIG. 2

FIG. 3

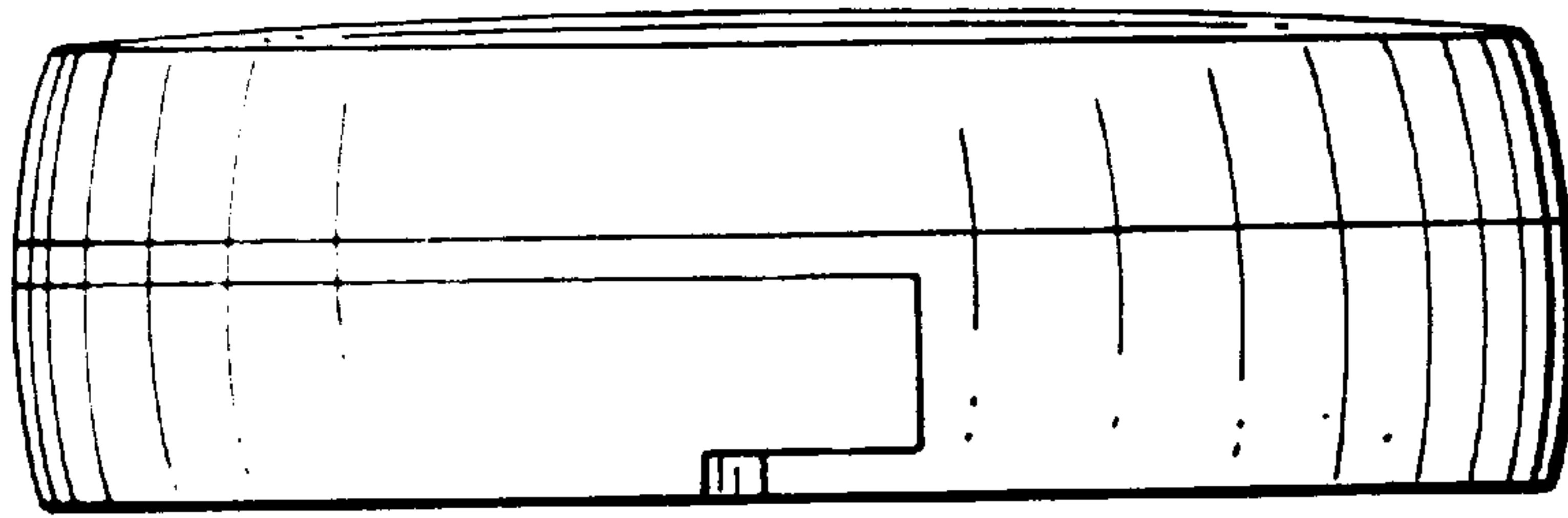
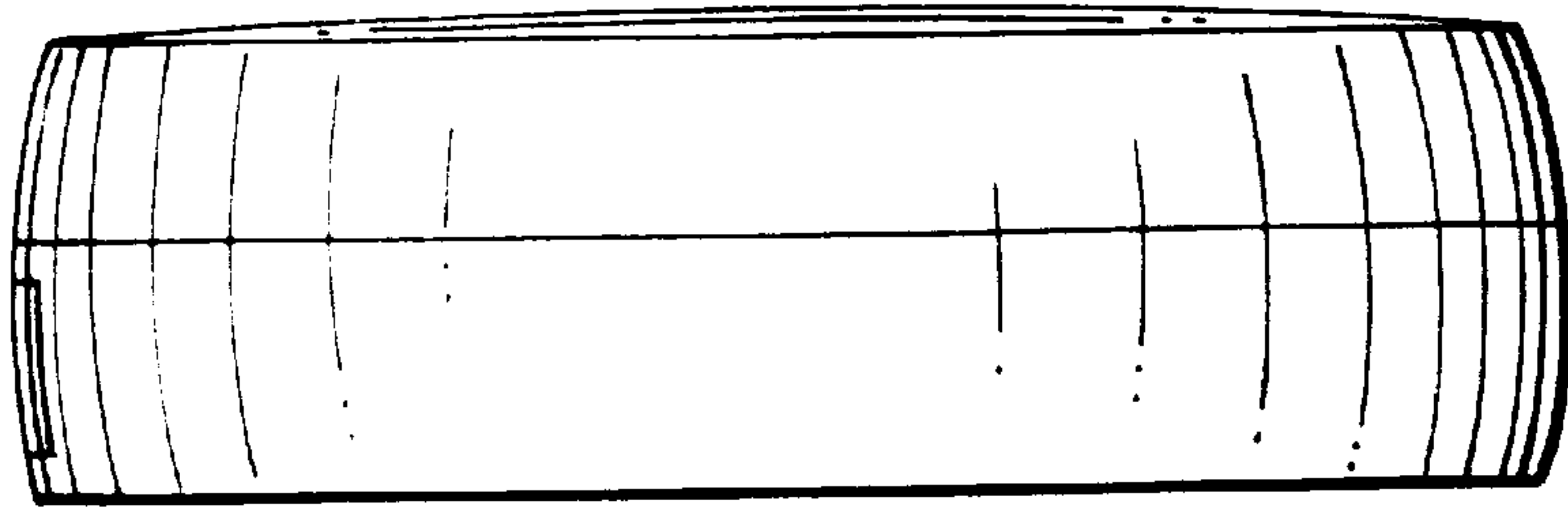


FIG. 4

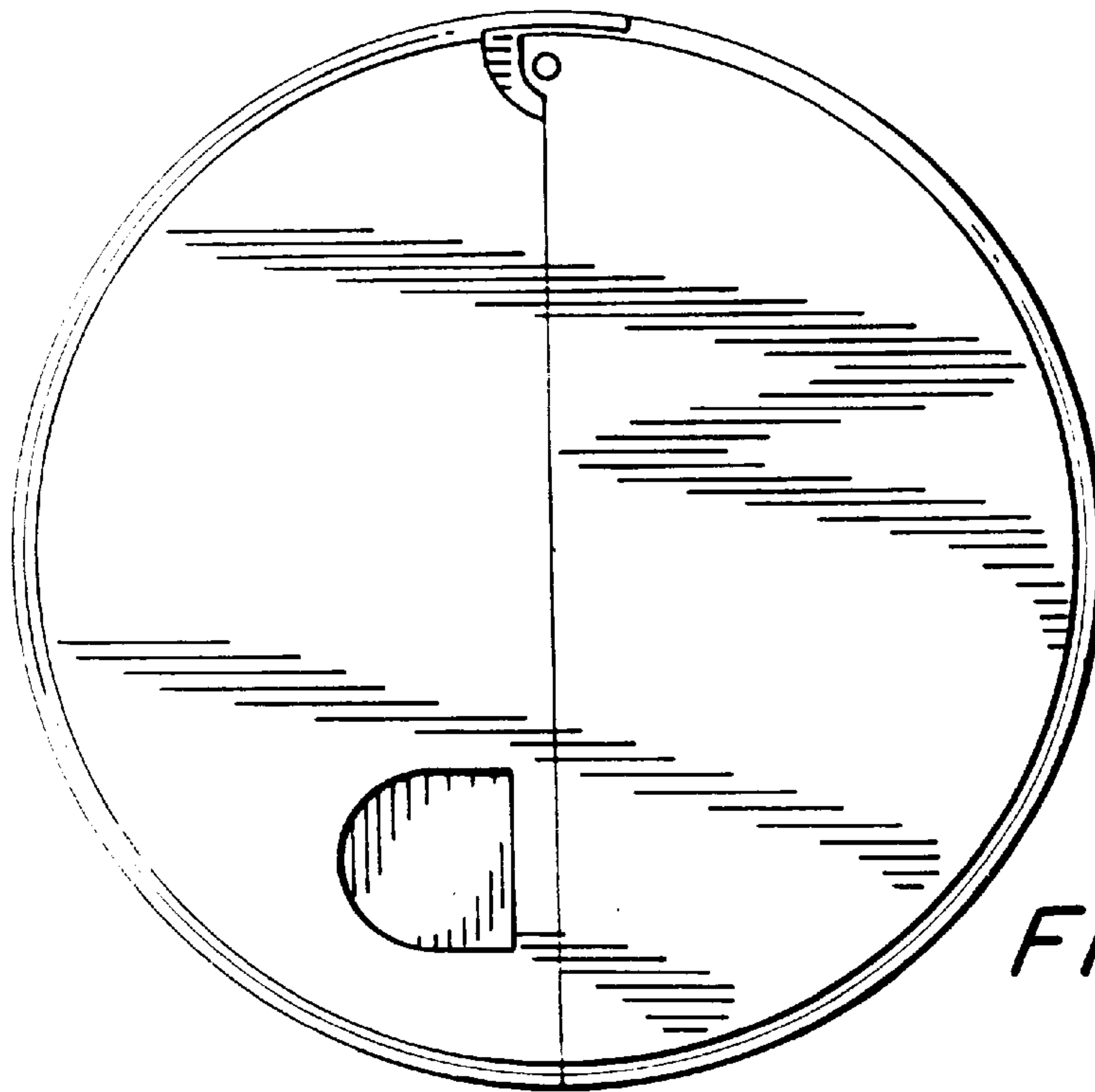


FIG. 5

FIG. 6

