



US00D442330S

(12) **United States Design Patent**
Cousins

(10) **Patent No.:** **US D442,330 S**

(45) **Date of Patent:** **** May 15, 2001**

(54) **MATCH HOLDER**

(75) **Inventor:** **Morison S. Cousins**, Winter Park, FL (US)

(73) **Assignee:** **Dart Industries Inc.**, Orlando, FL (US)

(**) **Term:** **14 Years**

(21) **Appl. No.:** **29/128,695**

(22) **Filed:** **Aug. 29, 2000**

(51) **LOC (7) Cl.** **27-06**

(52) **U.S. Cl.** **D27/173; D27/190; D34/7**

(58) **Field of Search** **D34/1, 7; D27/172, D27/173, 190; D9/538, 559, 516; 206/96, 265; 131/239, 242; 220/908, 910, 911**

(56) **References Cited**

U.S. PATENT DOCUMENTS

D. 122,041	*	8/1940	Baer	D27/190
D. 155,564		10/1949	Ackerman	.	
D. 370,300	*	5/1996	Gottvald et al.	D27/172
937,278		10/1909	Barnard	.	
2,612,259		9/1952	Overbaugh	.	

3,451,533	6/1969	Butler	.	
4,289,249	9/1981	Cripe	.	
5,002,182	3/1991	McGinnis	.	
5,924,568	7/1999	Zajonc	206/373
B1 6,161,549	* 12/2000	Lee	131/242 X

* cited by examiner

Primary Examiner—Susan J. Lucas

Assistant Examiner—Jennifer Rivard

(74) *Attorney, Agent, or Firm*—Taylor J. Ross

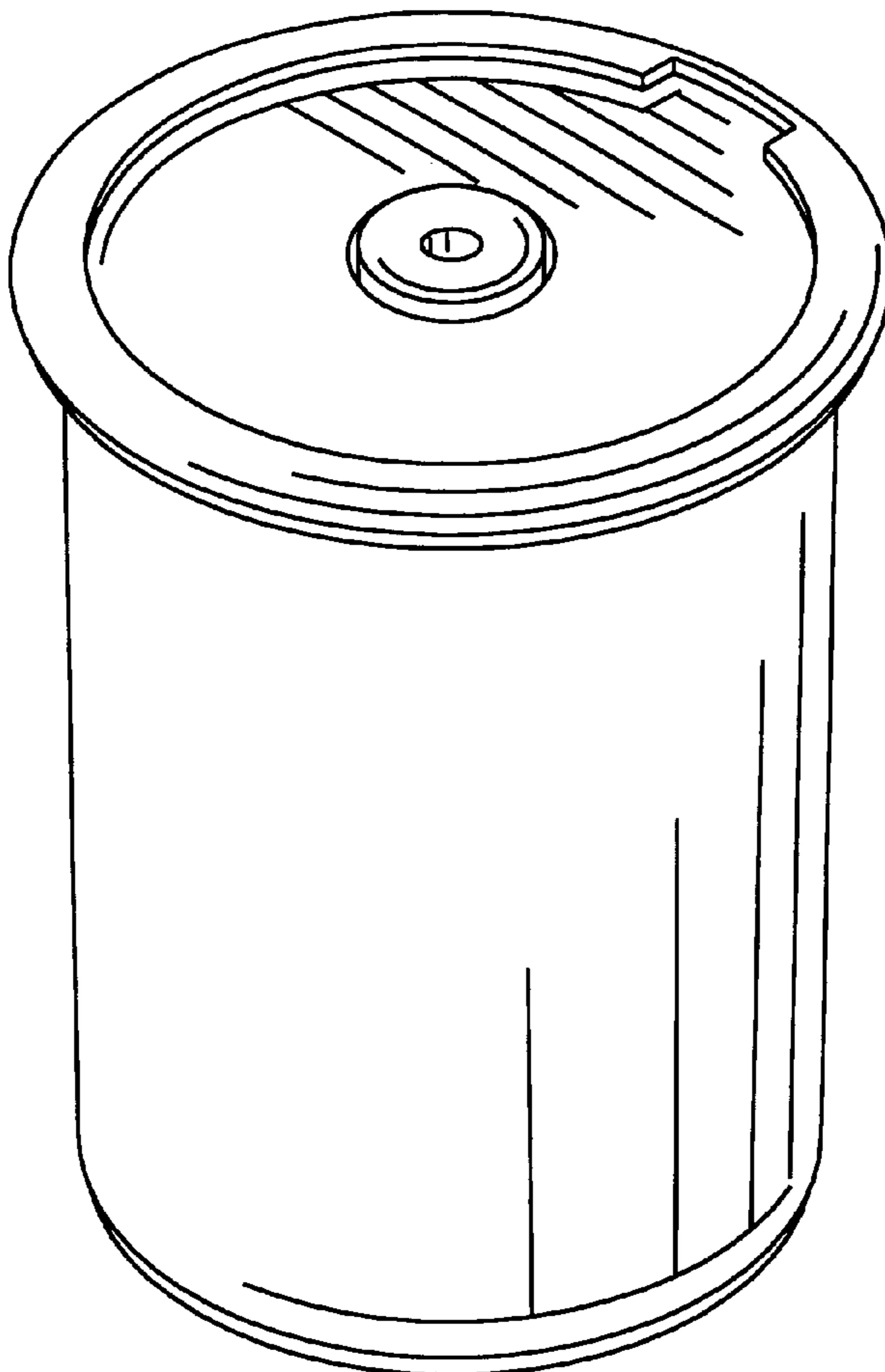
(57) **CLAIM**

The ornamental design for a match holder, as shown and described.

DESCRIPTION

FIG. 1 is a top, side and front perspective view of a match holder showing the new design;
 FIG. 2 is a front elevation view thereof;
 FIG. 3 is a rear elevation view thereof;
 FIG. 4 is a right side elevation view thereof;
 FIG. 5 is a left side elevation view thereof;
 FIG. 6 is a top plan view thereof; and,
 FIG. 7 is a bottom plan view thereof.

1 Claim, 2 Drawing Sheets



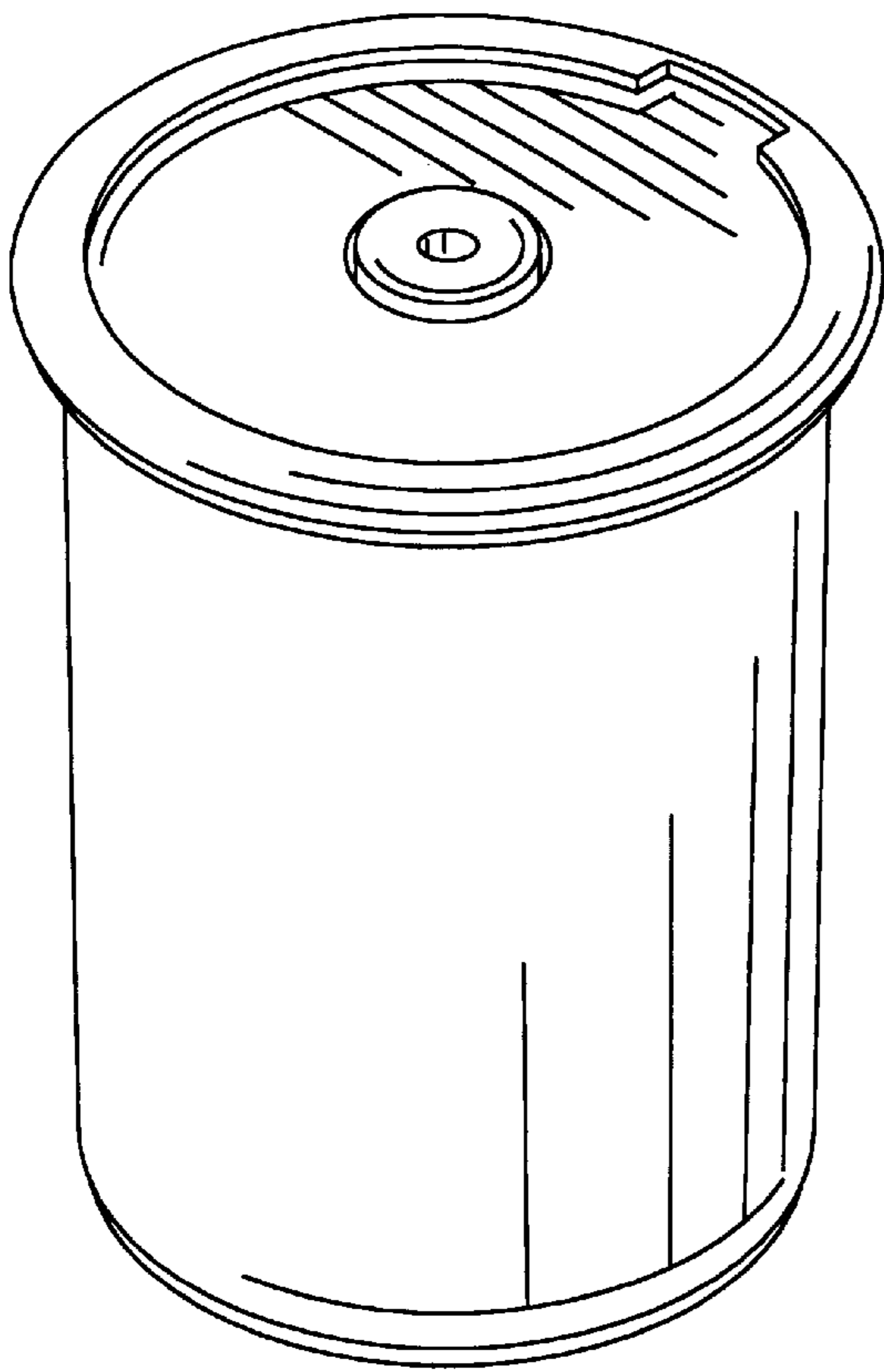


FIG. 1

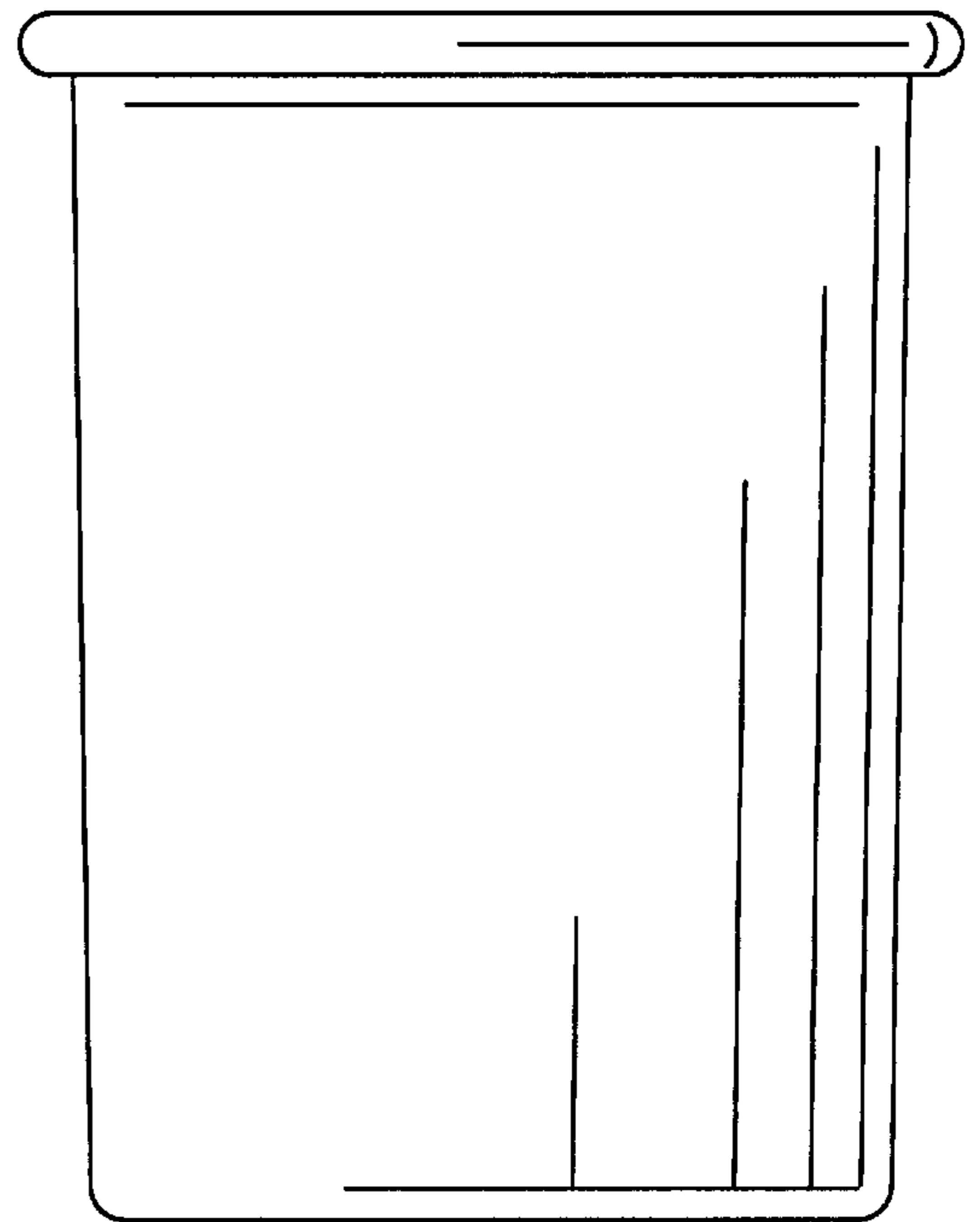


FIG. 2

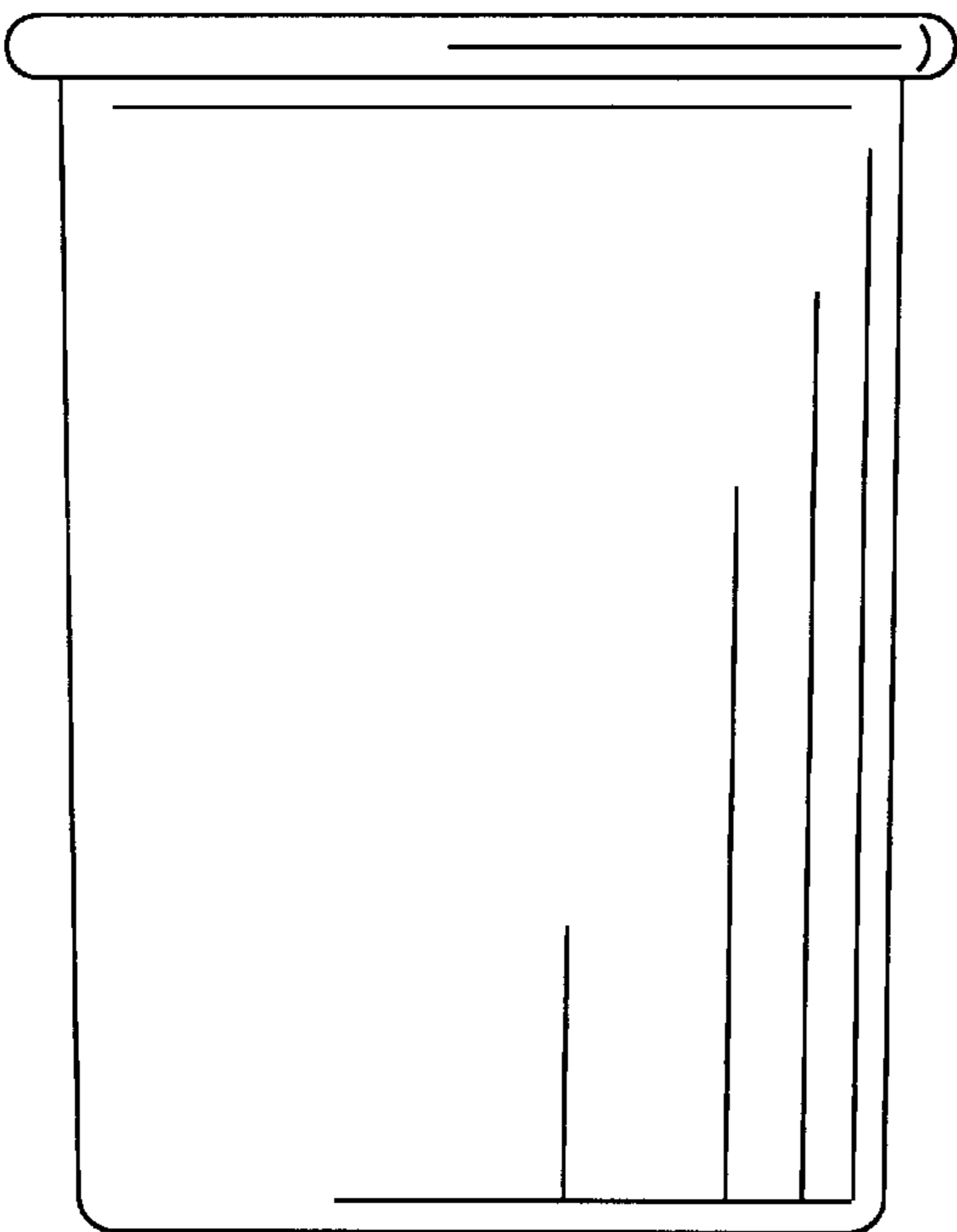


FIG. 3

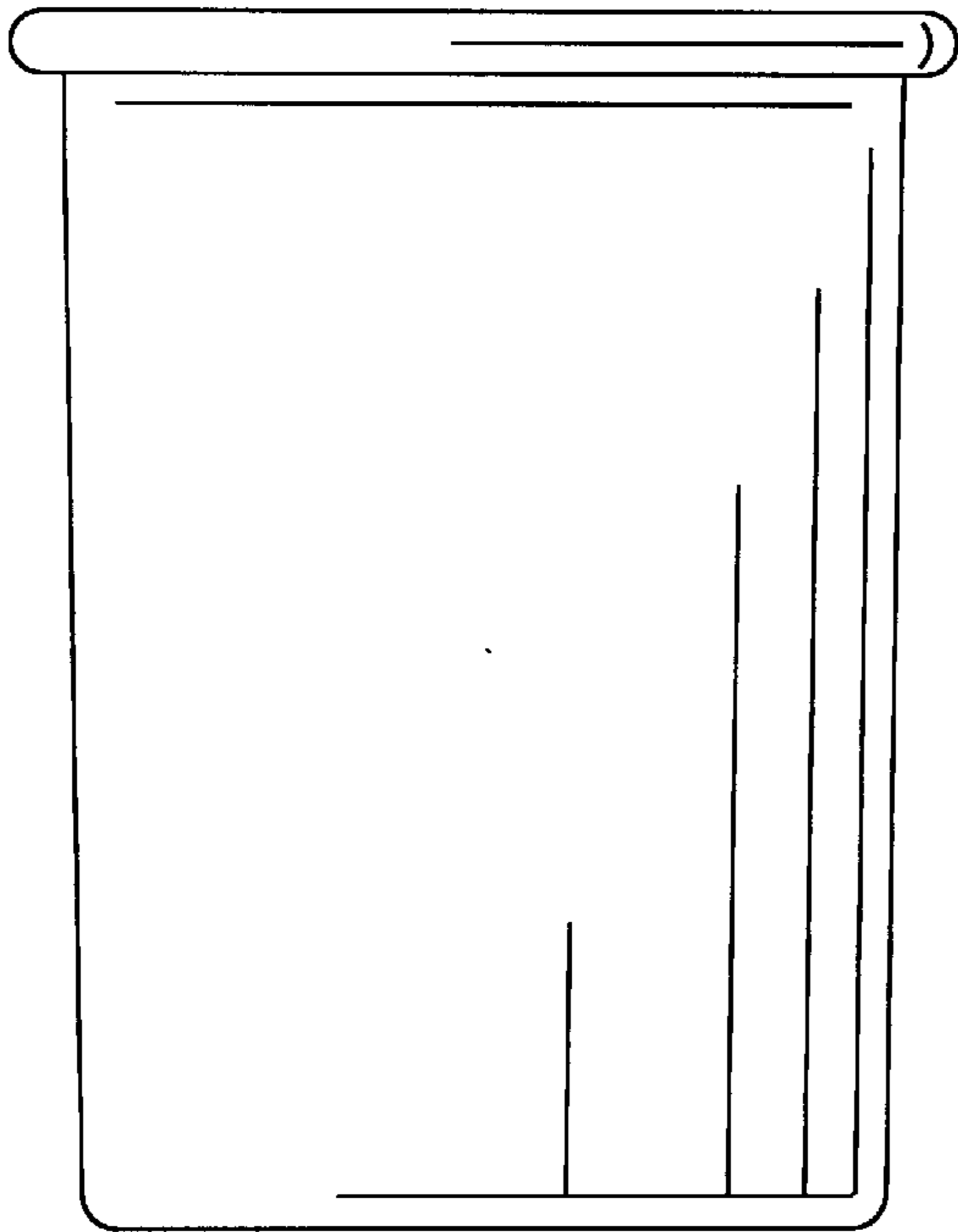


FIG. 4

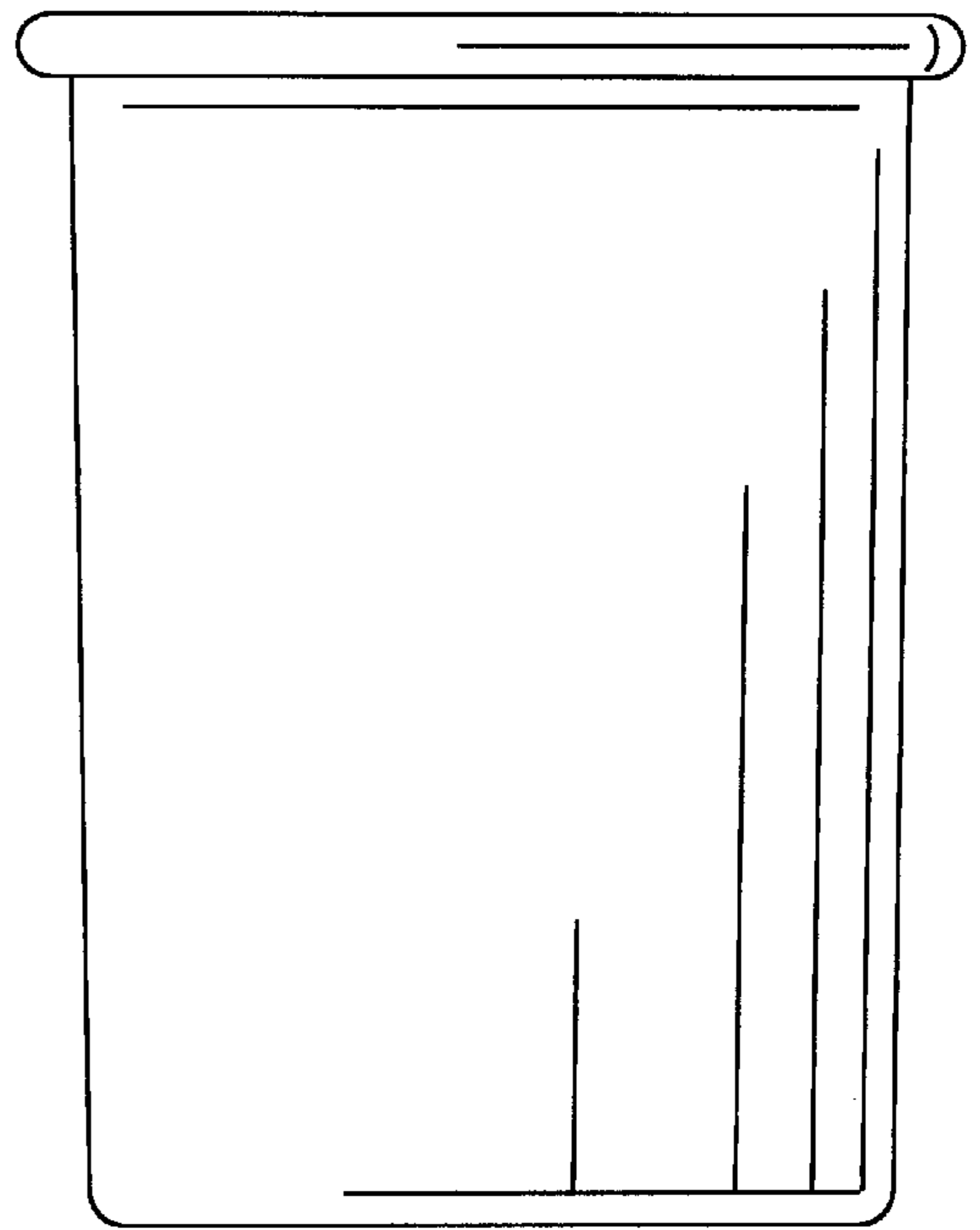


FIG. 5

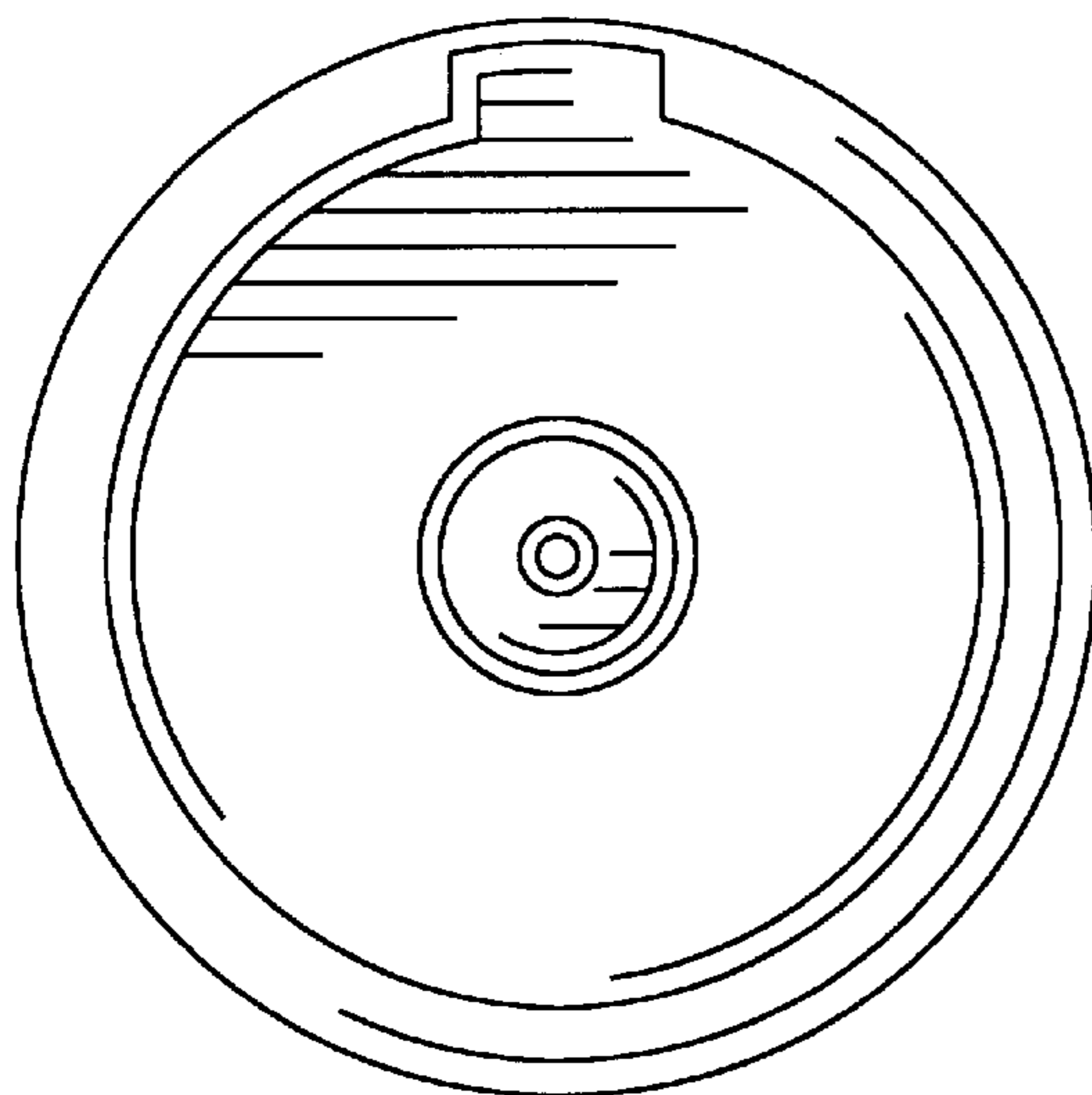


FIG. 6

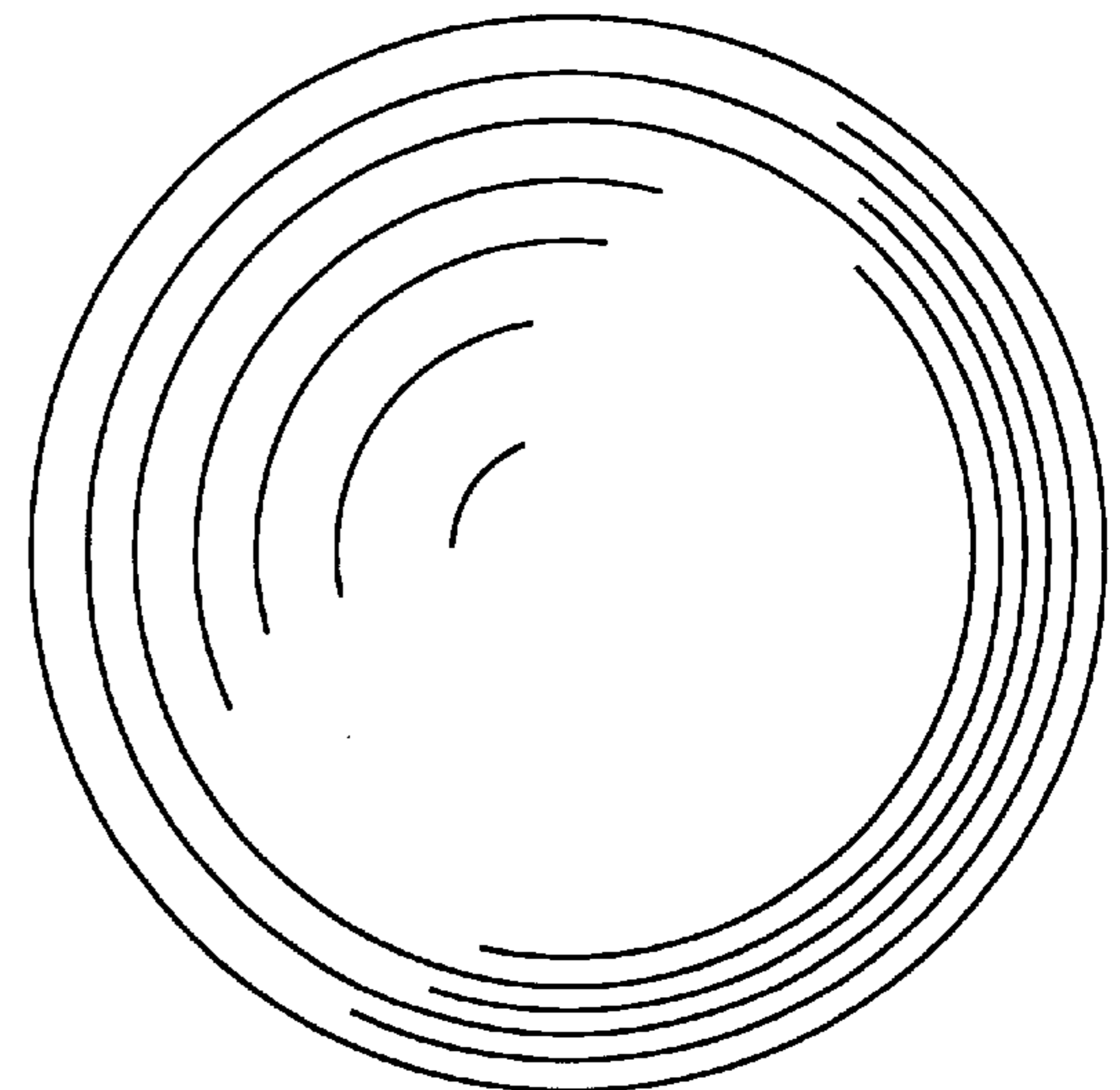


FIG. 7