



US00D442323S

(12) **United States Design Patent**
McBride

(10) **Patent No.:** **US D442,323 S**

(45) **Date of Patent:** **** May 15, 2001**

(54) **PLASTIC SLIP FITTER**

5,562,341 * 10/1996 Strauss 362/431
6,132,069 * 10/2000 Sato et al. 362/365

(76) Inventor: **Gary J. McBride**, 16519 96th Ter. N.,
Jupiter, FL (US) 33478

* cited by examiner

(**) Term: **14 Years**

Primary Examiner—Susan J. Lucas
(74) *Attorney, Agent, or Firm*—McHale & Slavin

(21) Appl. No.: **29/118,247**

(57) **CLAIM**

(22) Filed: **Feb. 4, 2000**

The ornamental design for a plastic slip fitter, as shown and described.

(51) **LOC (7) Cl.** **26-99**

(52) **U.S. Cl.** **D26/113**

(58) **Field of Search** 362/431, 226,
362/275, 213, 363, 365; D26/67-71, 113

DESCRIPTION

(56) **References Cited**

U.S. PATENT DOCUMENTS

1,869,474	*	8/1932	Gatchell	362/431
1,894,063	*	1/1933	Schroeder	362/431
4,074,941	*	2/1978	Jablonski	362/431 X
4,141,060		2/1979	Ford et al.	362/216
5,483,432		1/1996	Wang	362/431

FIG. 1 is a perspective view of the plastic slip fitter of the instant invention;
FIG. 2 is a side elevation view thereof, all sides being symmetrical;
FIG. 3 is a top plan view thereof;
FIG. 4 is a bottom plan view thereof; and,
FIG. 5 is a pictorial view of the instant invention shown on top of a pedestal with a light secured thereto.

1 Claim, 3 Drawing Sheets

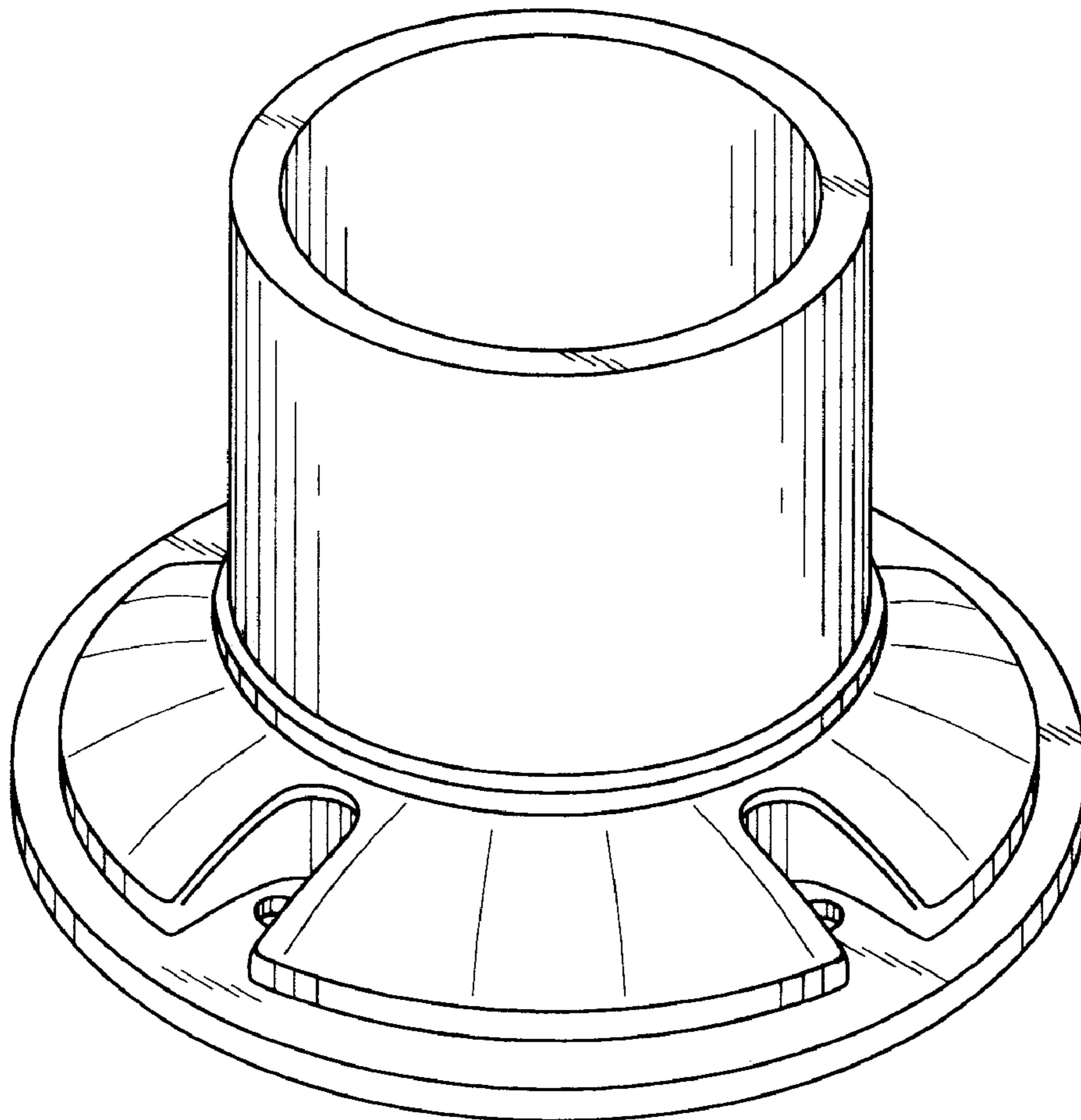


FIG. 1

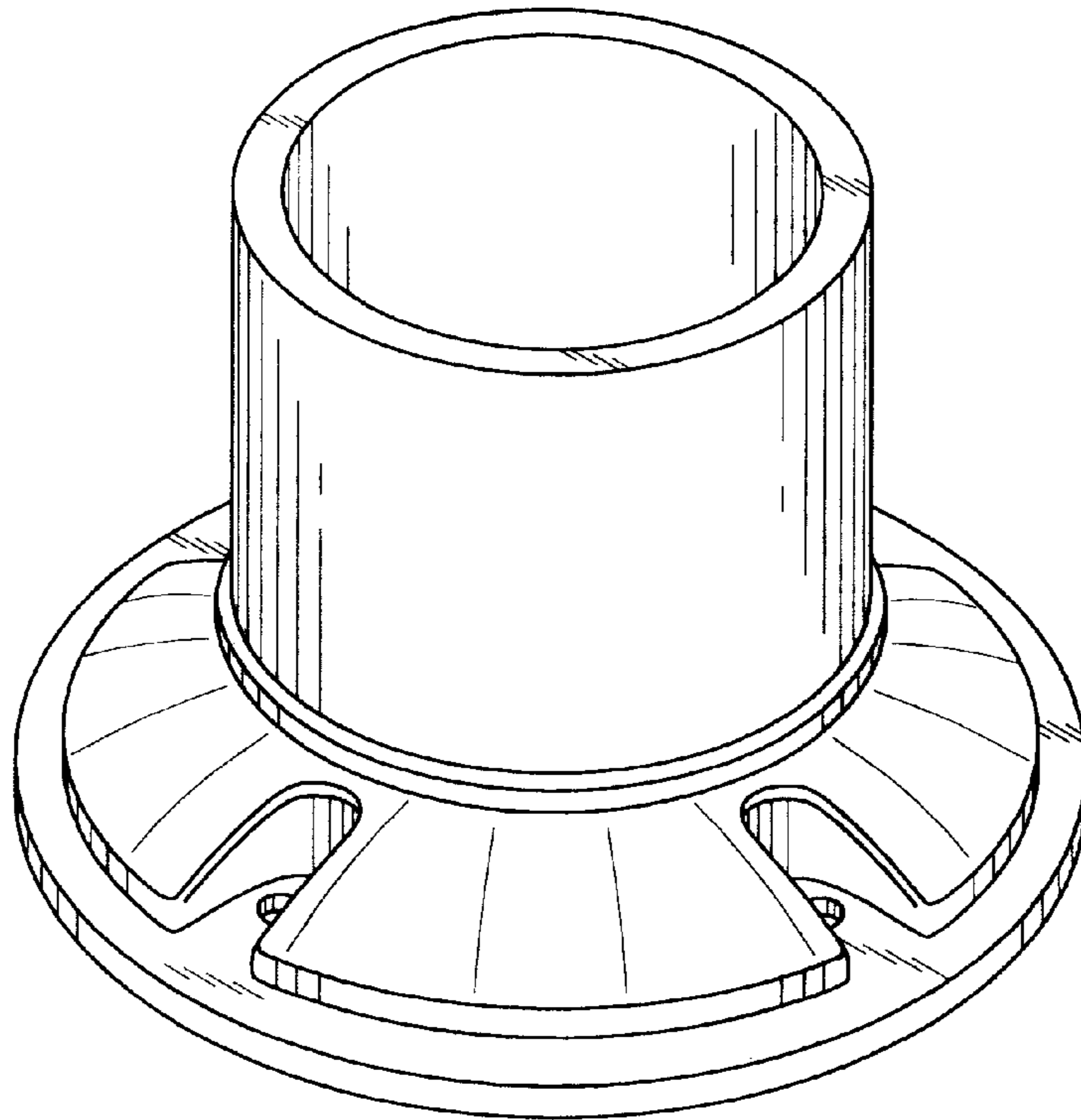


FIG. 2

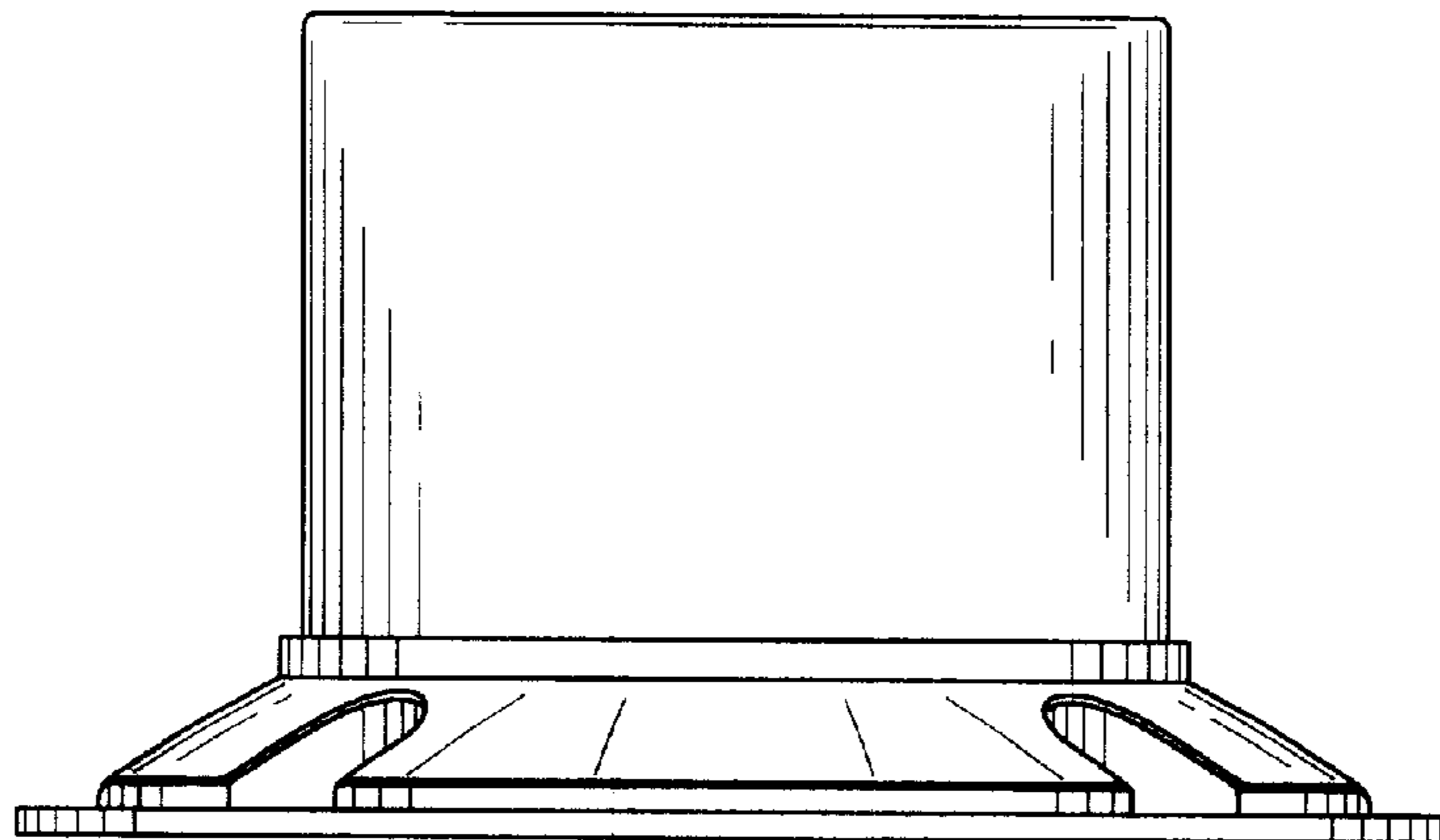


FIG. 3

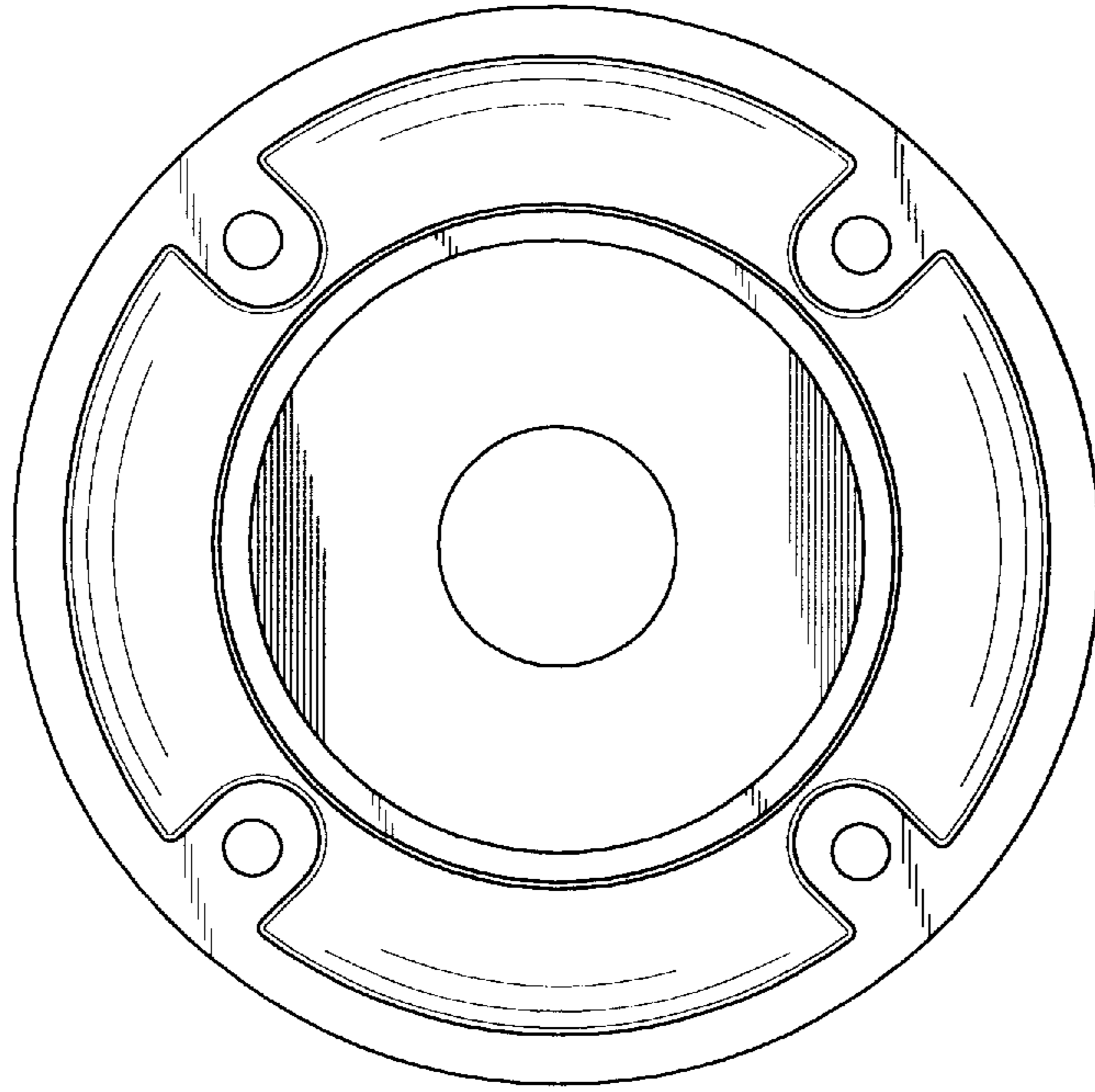


FIG. 4

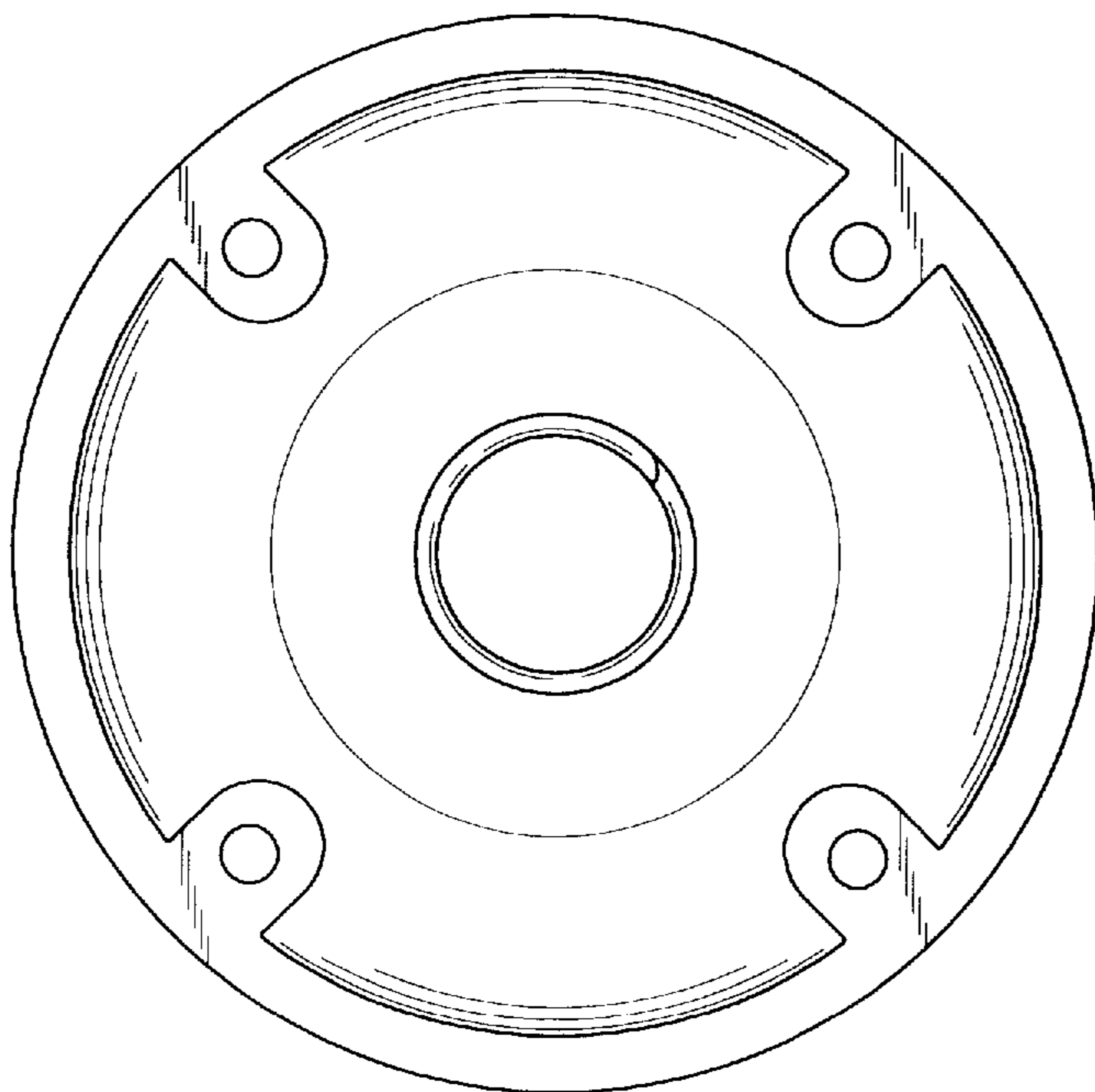


FIG. 5

