



US00D442320S

(12) **United States Design Patent**
Pudlowski et al.

(10) **Patent No.:** **US D442,320 S**

(45) **Date of Patent:** **** May 15, 2001**

(54) **DECORATIVE LIGHT**

(76) Inventors: **Jack E Pudlowski; Debra E Pudlowski**, both of 7345 W. 113th St., Worth, IL (US) 60482

(**) Term: **14 Years**

(21) Appl. No.: **29/130,648**

(22) Filed: **Oct. 6, 2000**

(51) **LOC (7) Cl.** **26-03**

(52) **U.S. Cl.** **D26/94**

(58) **Field of Search** D26/93-112; 362/410-414, 362/431; D9/414, 419, 428, 432; D11/131, 157; 229/116.5; 206/457; 428/542.2, 5

(56) **References Cited**

U.S. PATENT DOCUMENTS

D. 272,127	1/1984	Beard .	
D. 313,373	* 1/1991	Taylor	D11/131
D. 339,389	* 9/1993	Peppin	D9/432 X
D. 380,417	* 7/1997	Hardy	D9/432 X
D. 389,267	* 1/1998	Sutton et al.	D26/102
D. 399,520	* 10/1998	Miller et al.	D9/432 X
D. 414,691	* 10/1999	Chan	D9/414
1,735,191	* 11/1929	Weisenberg	229/116.5
2,771,237	* 11/1956	Philipson	428/5 X
2,862,321	* 12/1958	James	206/457 X
4,185,767	* 1/1980	Sykora et al.	229/116.5
4,726,509	* 2/1988	Fonas	206/457 X
4,930,053	5/1990	Vaught .	
5,004,144	* 4/1991	Selga	206/457 X
5,497,876	* 3/1996	Fleming	206/232
5,526,243	6/1996	Masters .	
5,613,764	3/1997	O'brien .	
5,722,770	* 3/1998	Douglas	362/285
5,911,501	6/1999	Katz .	
6,027,228	2/2000	Adams et al. .	

OTHER PUBLICATIONS

Harriet Carter ® catalog, surprise packages in center of catalog, 1991.*
Home Lighting & Accessories, middle lamp base on p. 48, Nov. 1991.*

* cited by examiner

Primary Examiner—Joel Sincavage

Assistant Examiner—Linda Brooks

(57) **CLAIM**

The ornamental design for a decorative light, as shown and described.

DESCRIPTION

FIG. 1 is a front elevational view of the decorative light of the present invention;

FIG. 2 is a rear elevational view of the decorative light of FIG. 1;

FIG. 3 is a right side elevational view of the decorative light of FIG. 1;

FIG. 4 is a left side elevational view of the decorative light of FIG. 1;

FIG. 5 is a top plan view of the decorative light of FIG. 1;

FIG. 6 is a bottom plan view of the decorative light of FIG. 1;

FIG. 7 is a top, front, right side perspective view of an alternate embodiment (different dimensions);

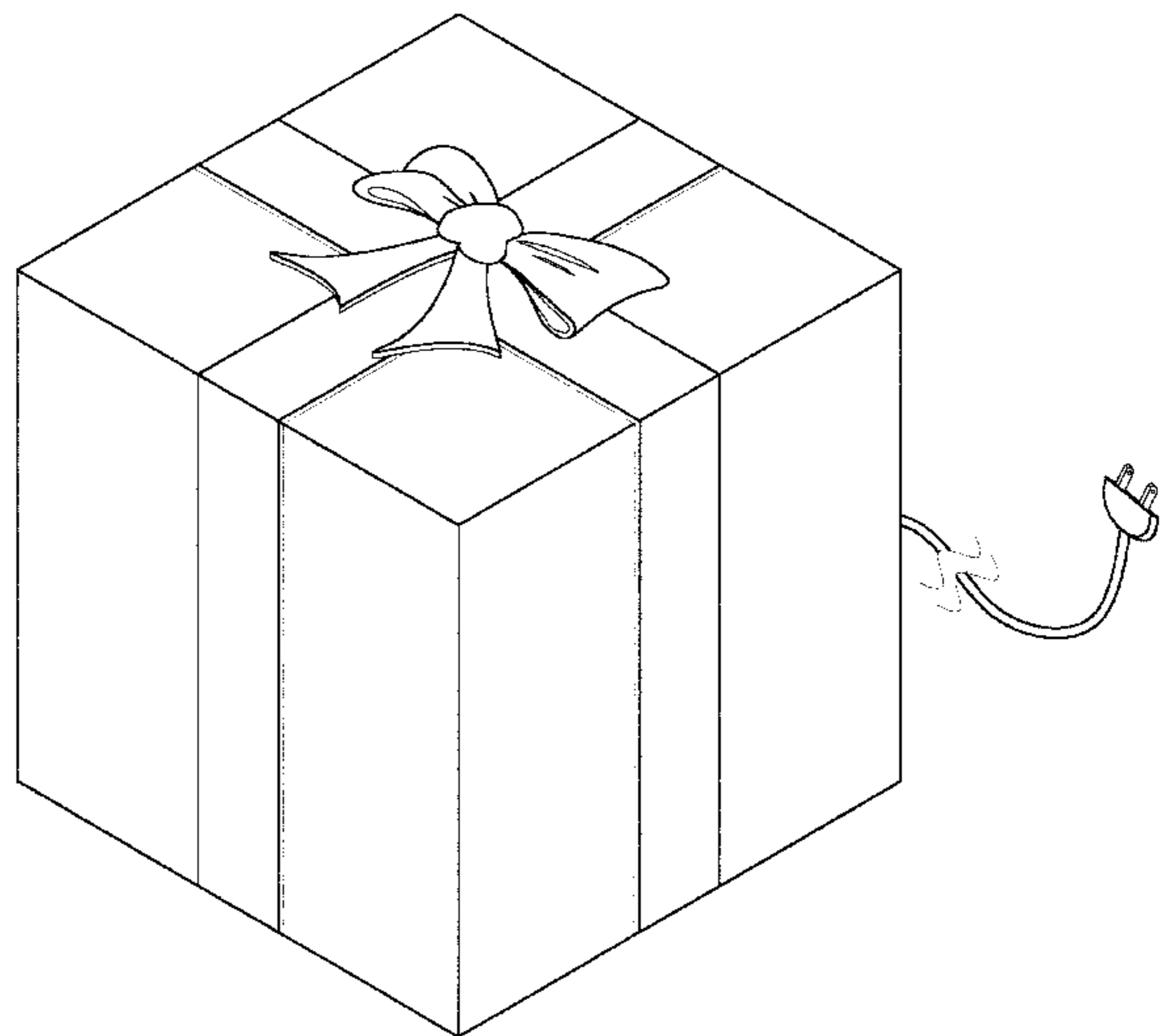
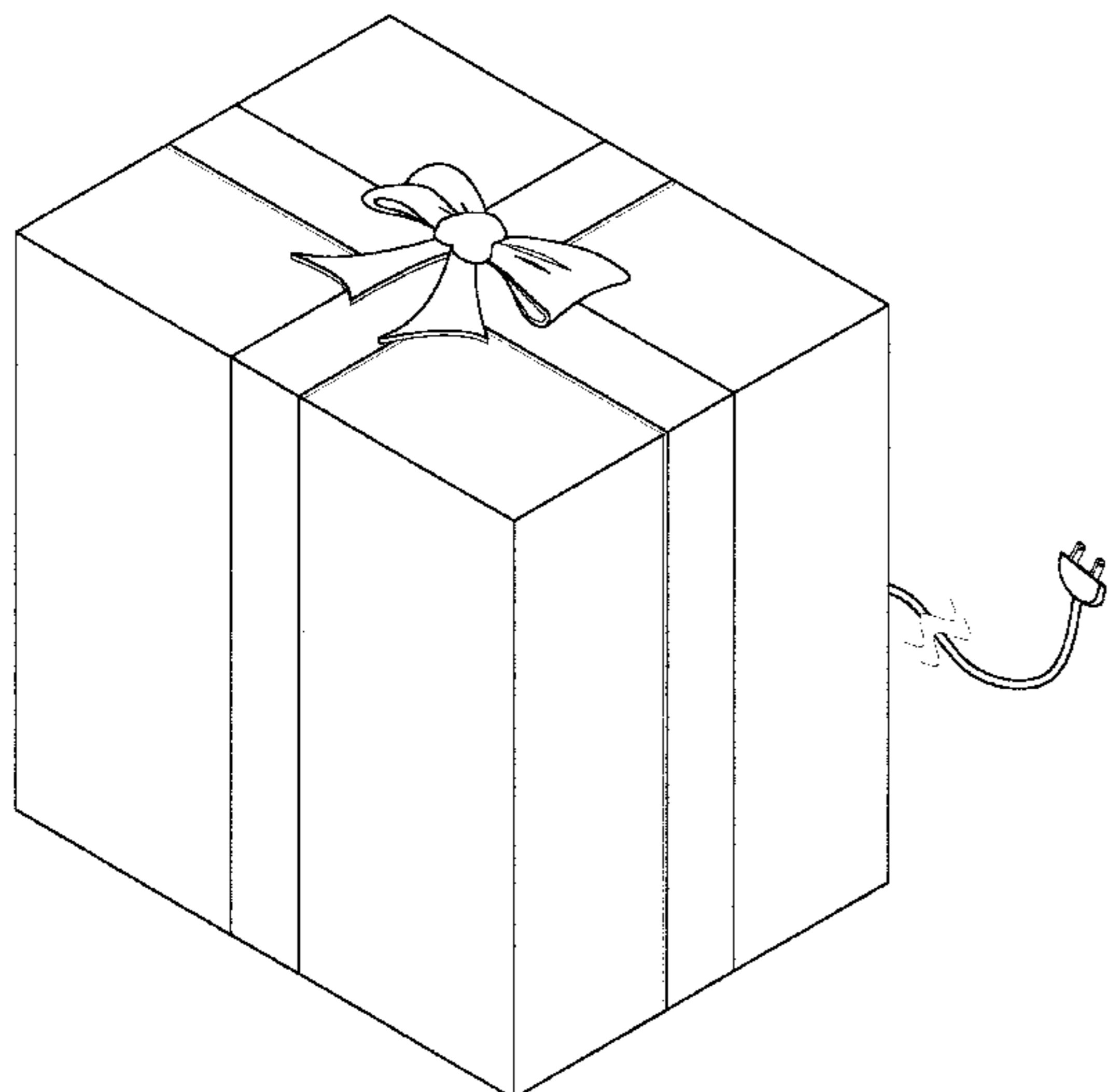
FIG. 8 is a top, front, right side perspective view of yet another alternate embodiment (different dimensions);

FIG. 9 is a top, front, right side perspective view of yet another alternate embodiment (different dimensions); and,

FIG. 10 is a top, front, right side perspective view of yet another alternate embodiment (different shape).

The broken lines showing a bulb in FIGS. 3-6 are for illustrative purposes only and form no part of the claimed design.

1 Claim, 10 Drawing Sheets



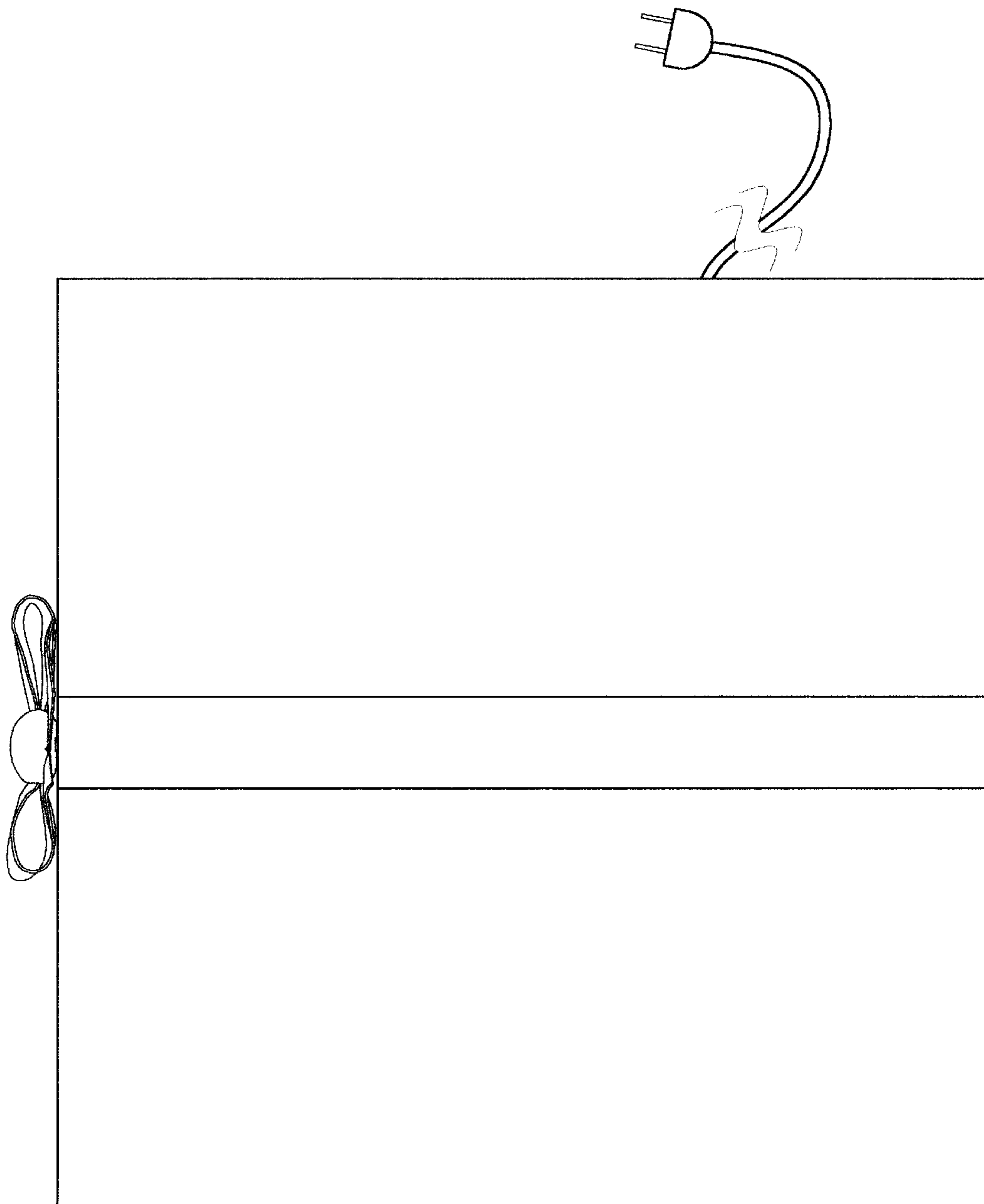


FIG. 1

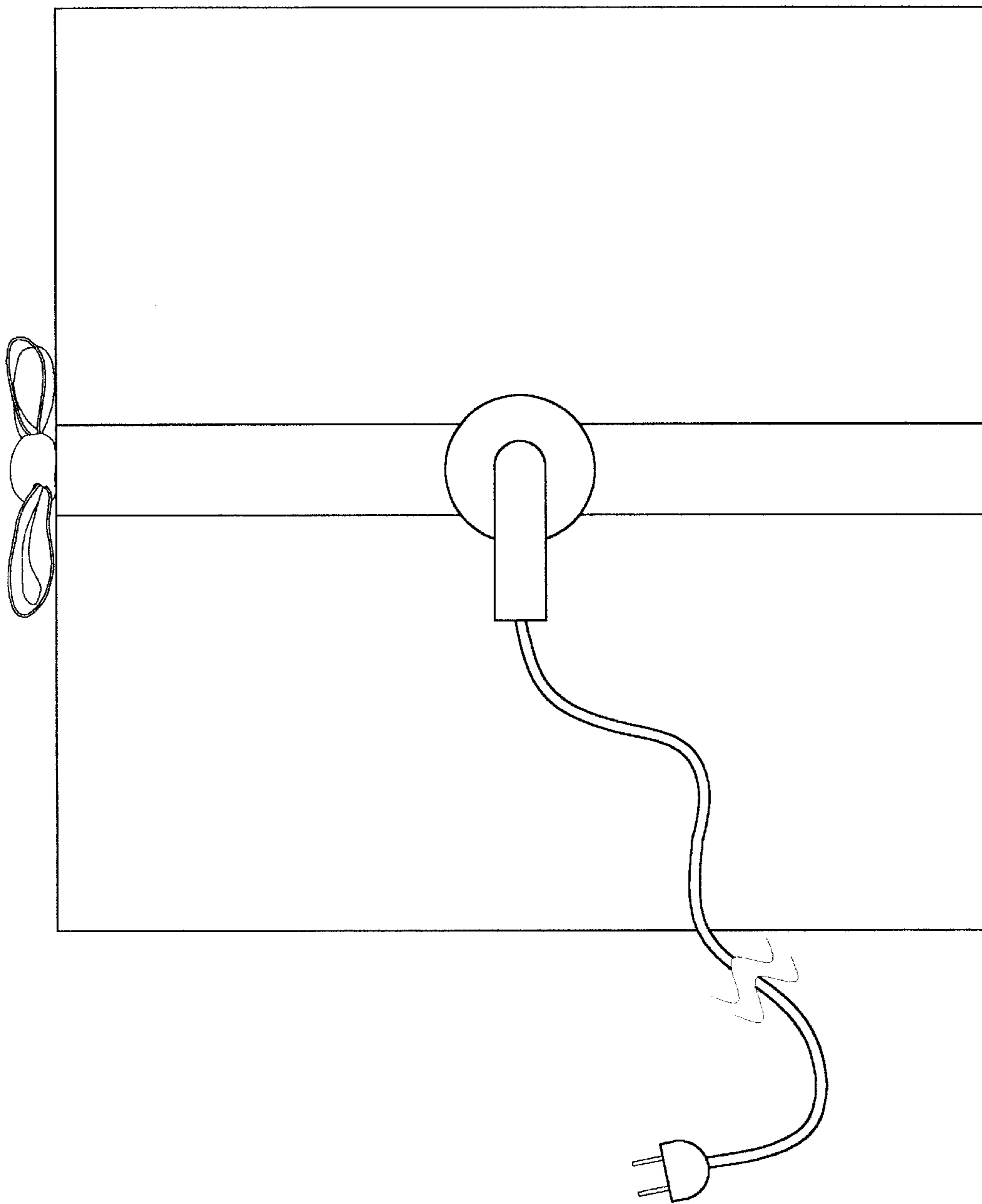


FIG. 2

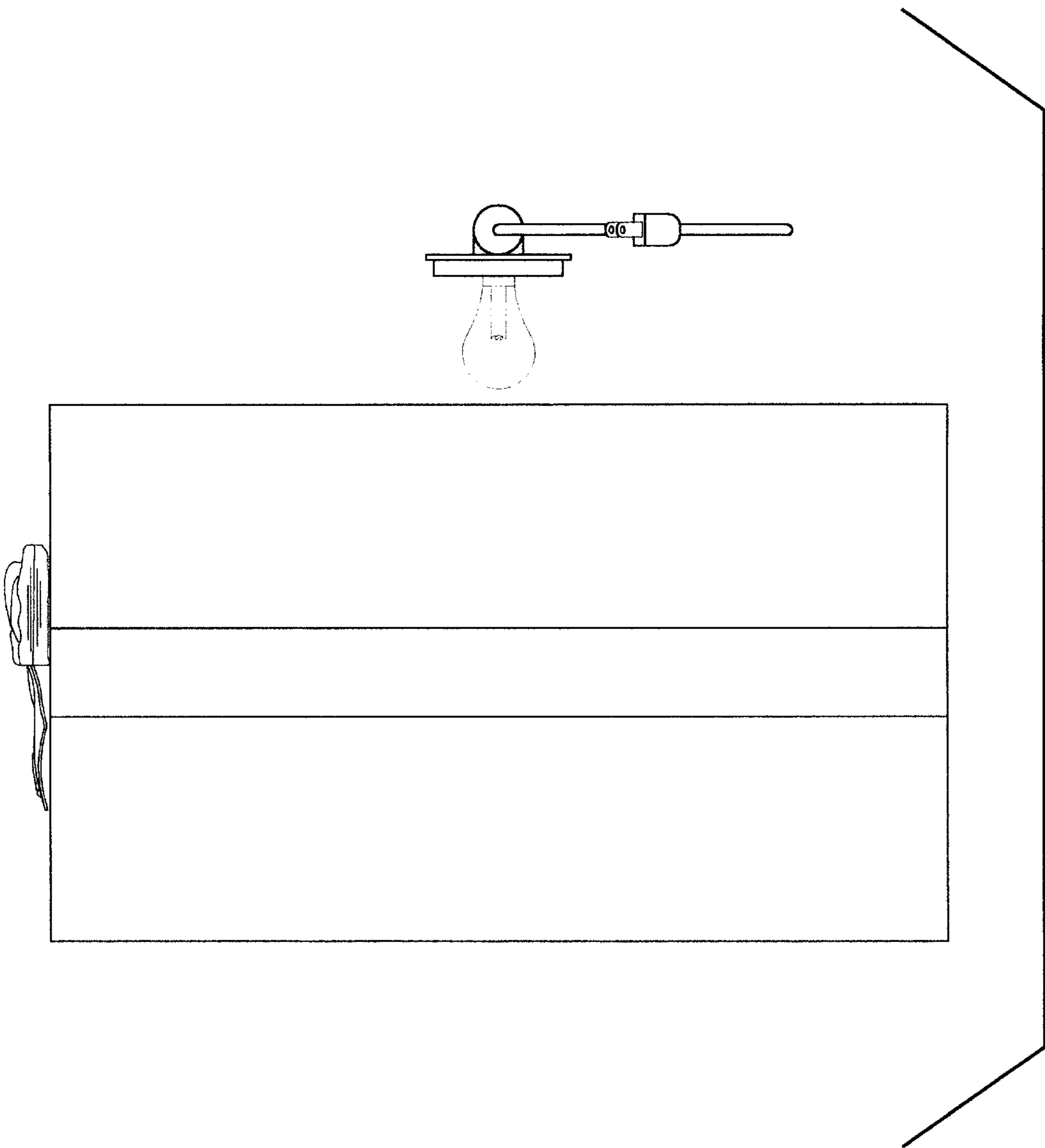


FIG. 3

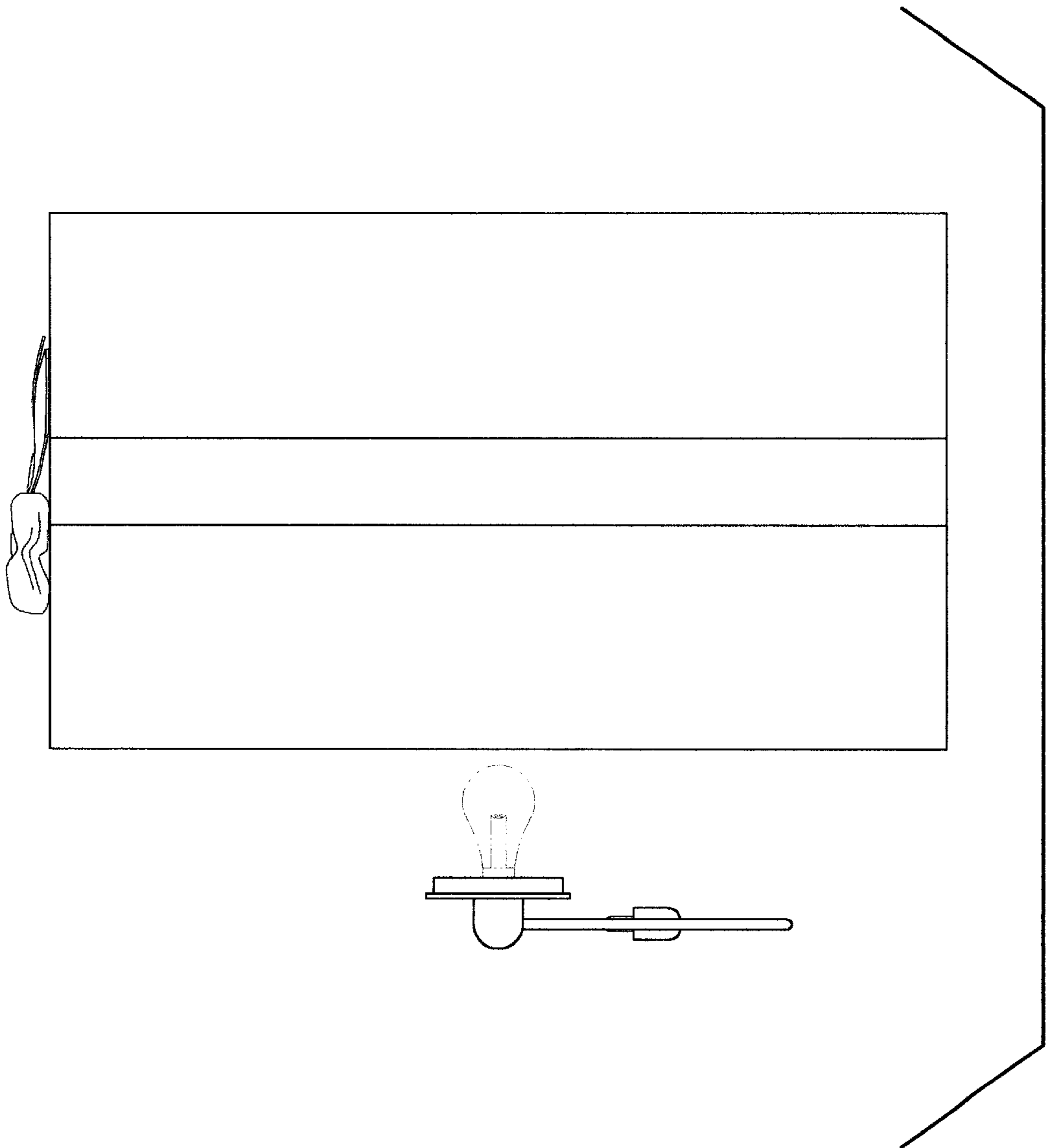


FIG. 4

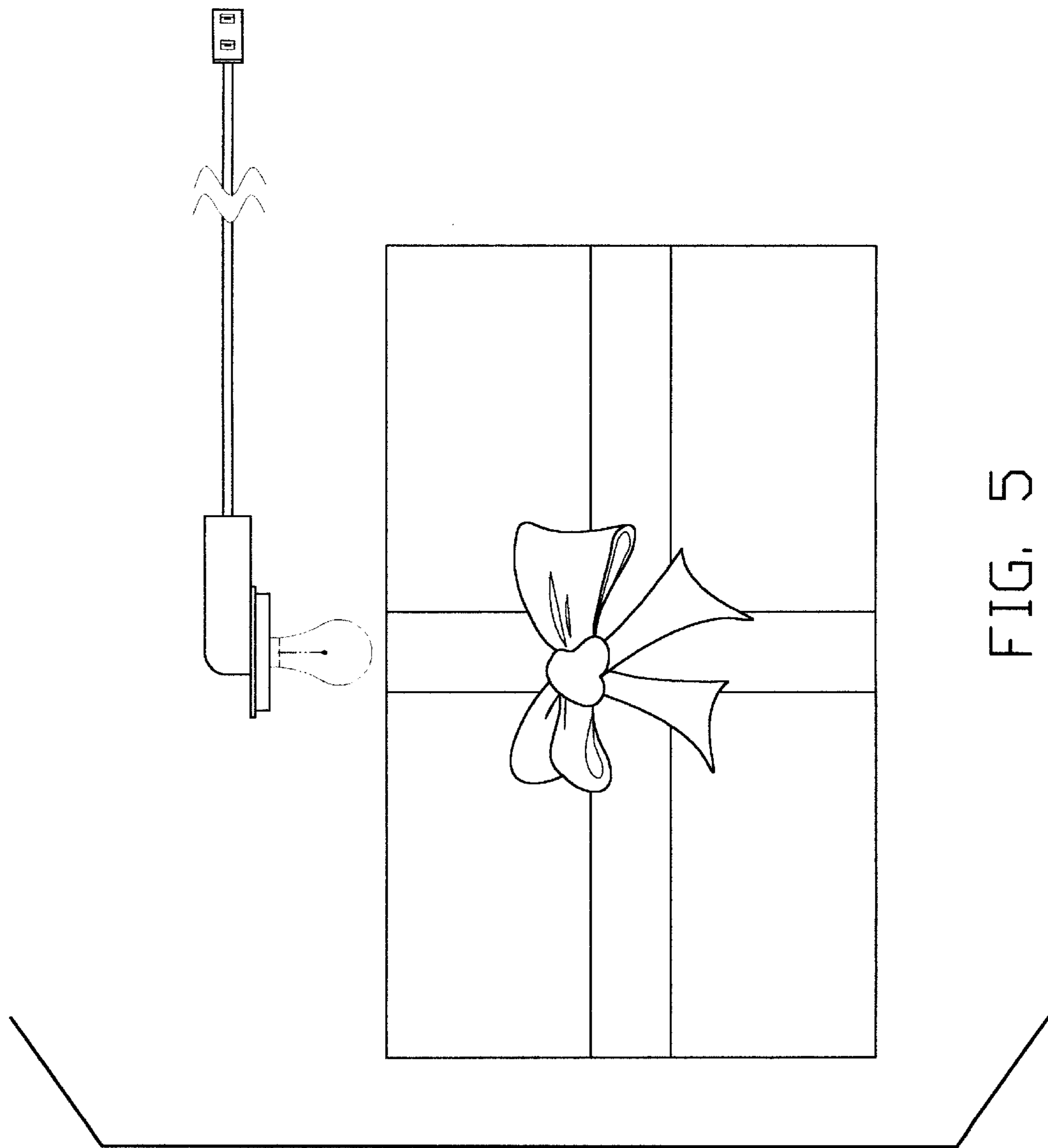


FIG. 5

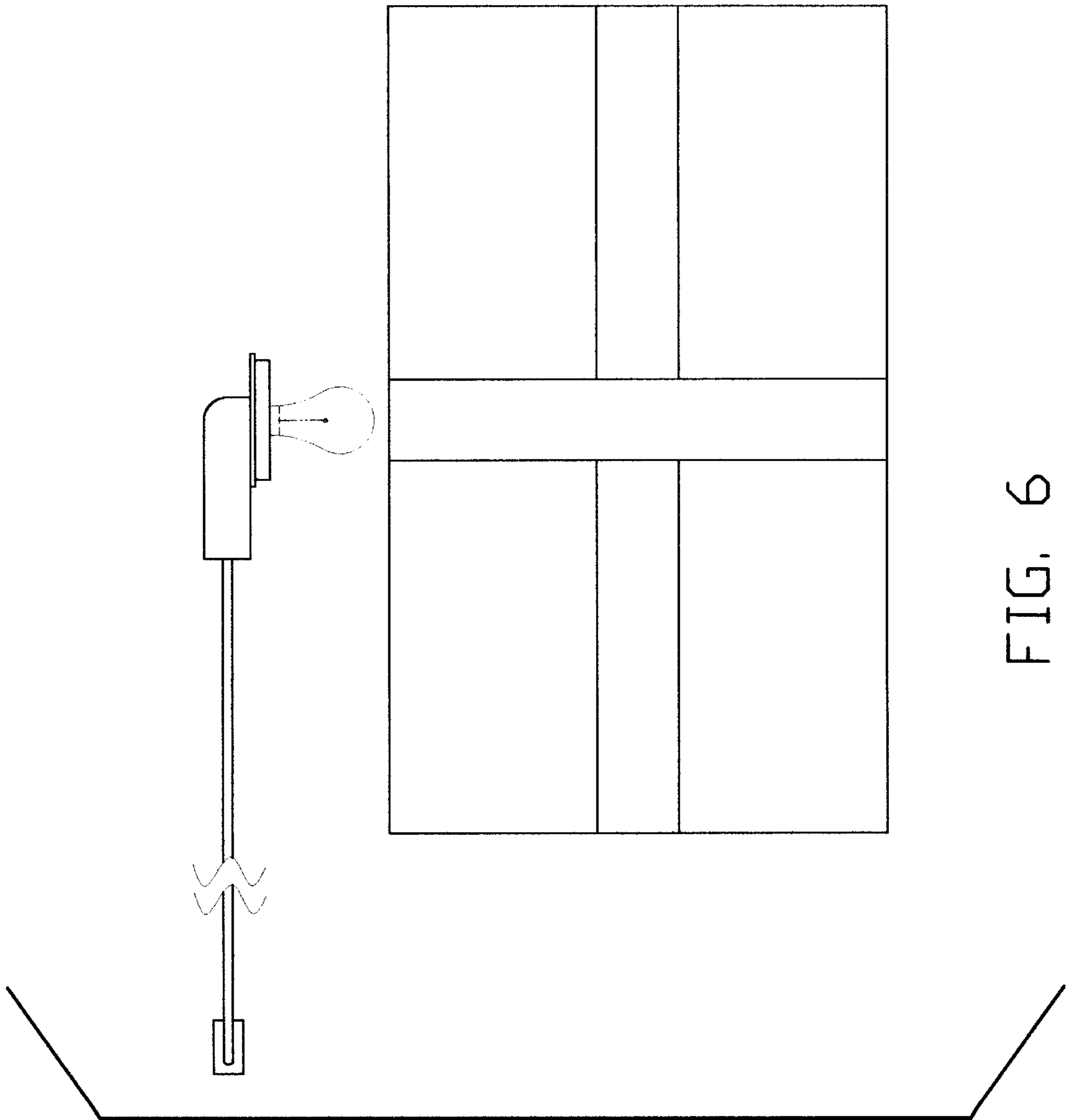


FIG. 6

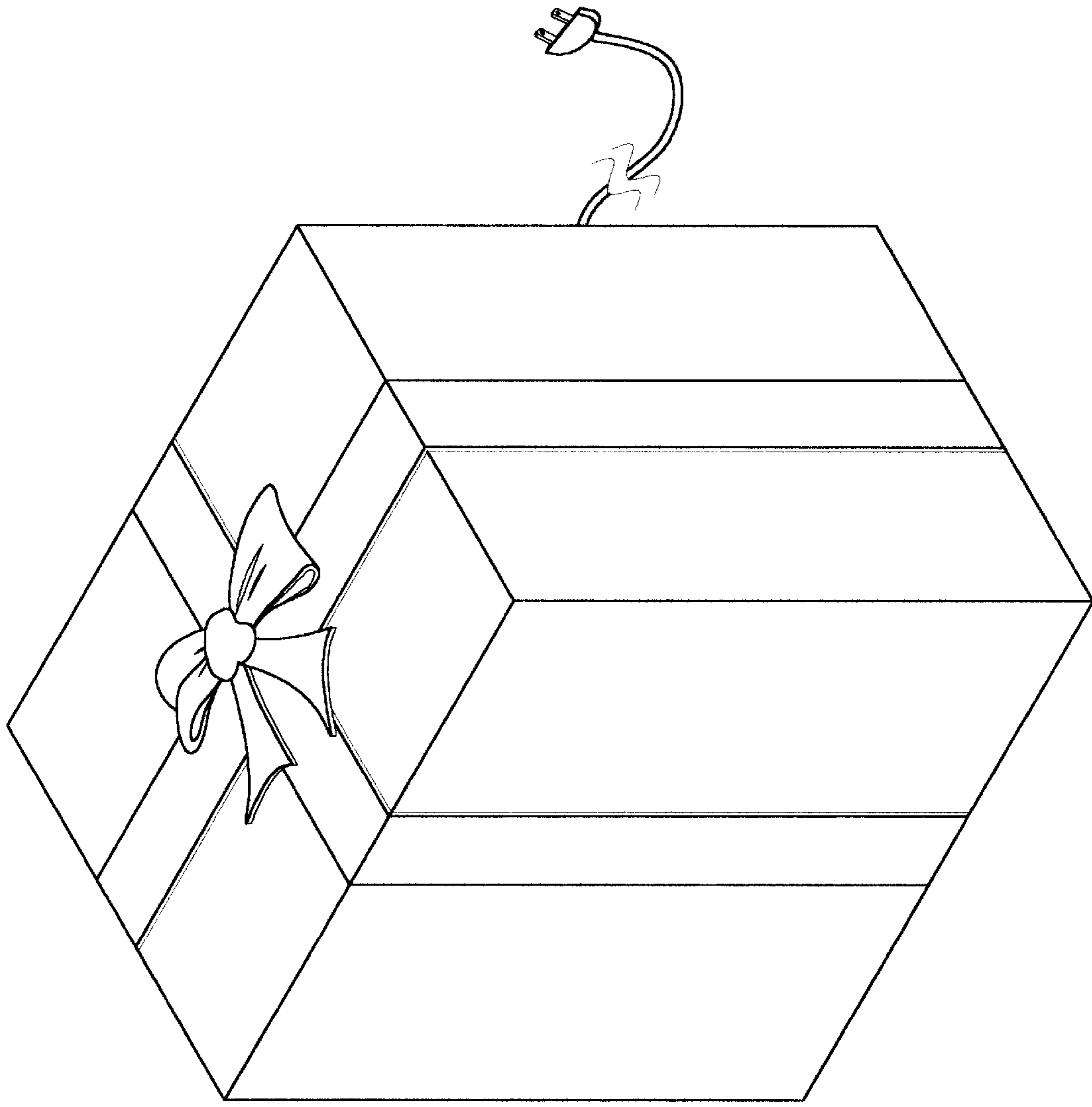


FIG. 7

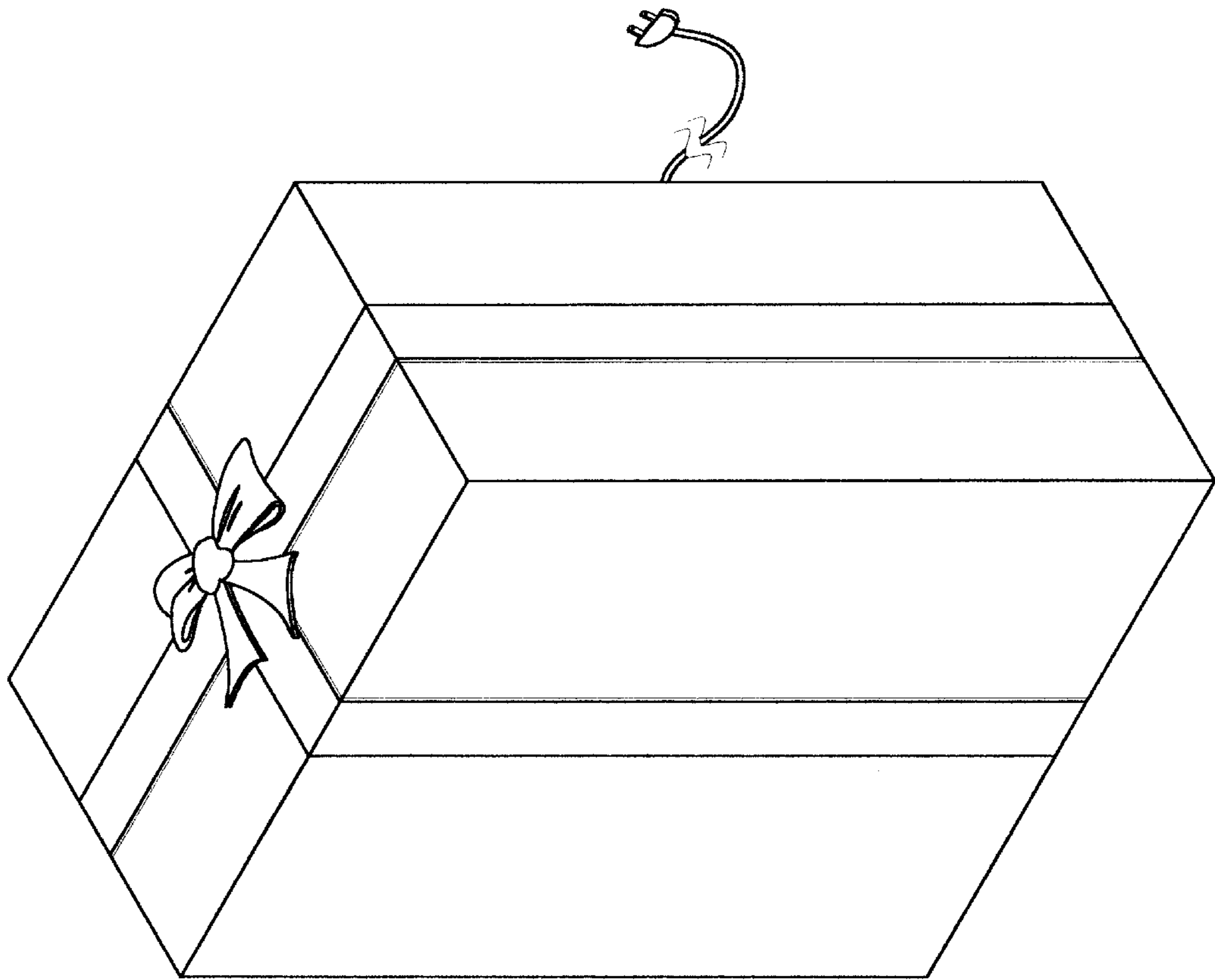


FIG. 8

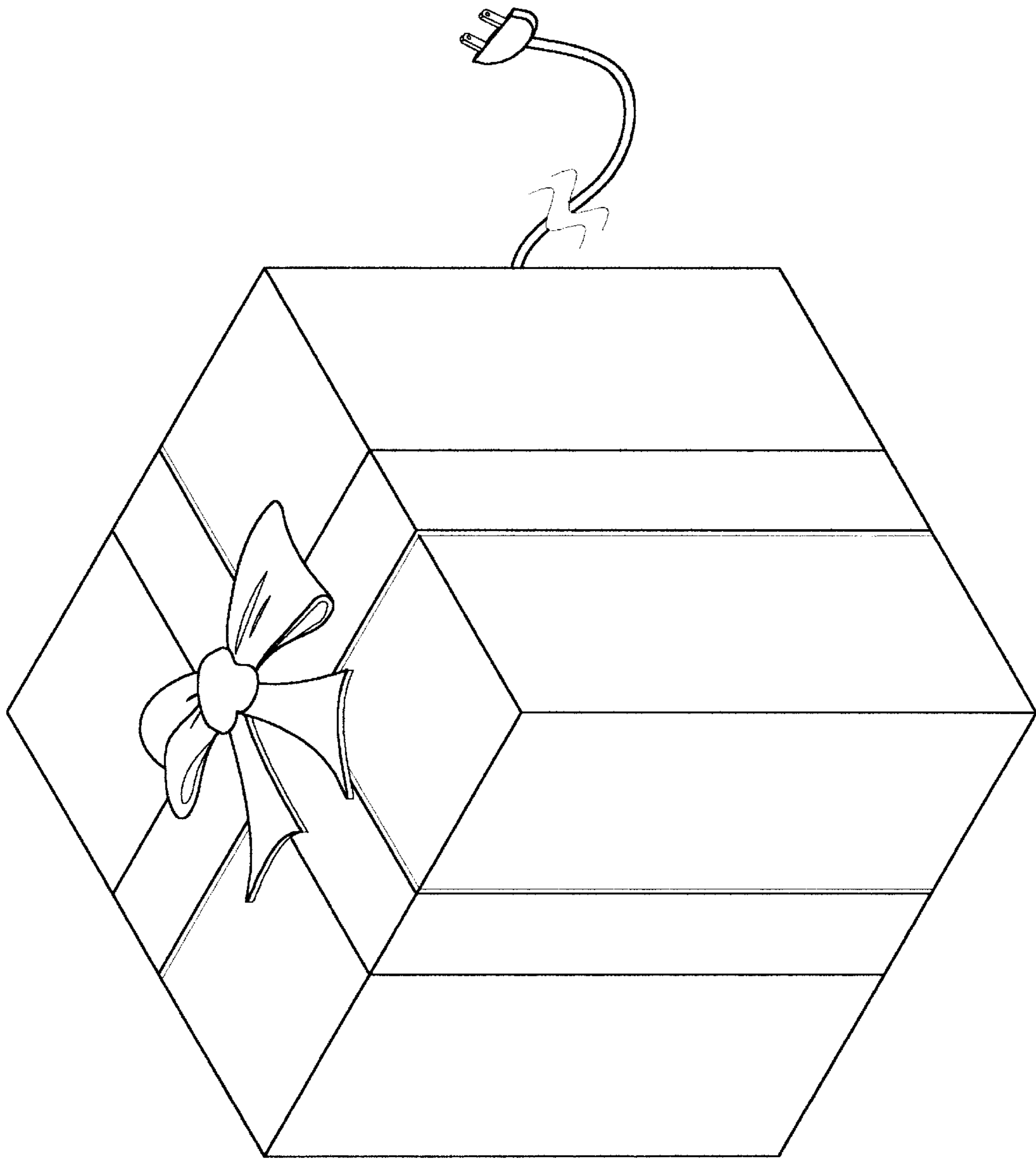


FIG. 9

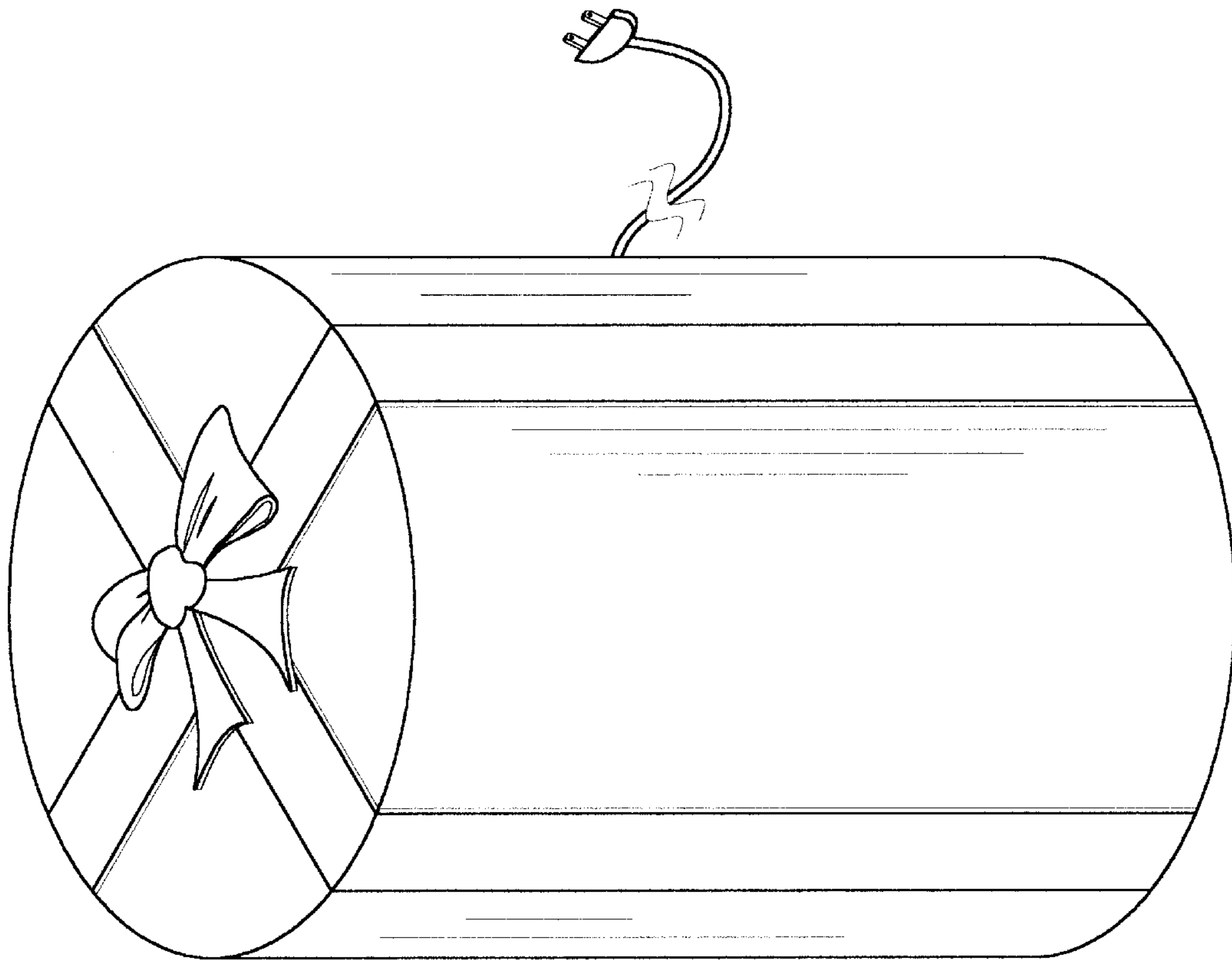


FIG. 10