



US00D442319S

(12) **United States Design Patent**
Hsu

(10) **Patent No.:** **US D442,319 S**

(45) **Date of Patent:** **** May 15, 2001**

(54) **WALL LAMP**

(74) *Attorney, Agent, or Firm*—Rosenberg, Klein & Lee

(76) **Inventor:** **Sam Hsu**, No.37, Yihshuh North Street,
Longjing Hsiang (TW)

(57) **CLAIM**

(**) **Term:** **14 Years**

The ornamental design for a wall lamp, as shown and described.

(21) **Appl. No.:** **29/129,952**

DESCRIPTION

(22) **Filed:** **Sep. 26, 2000**

(51) **LOC (7) Cl.** **26-05**

FIG. 1 is a perspective view of wall lamp showing my new design;

(52) **U.S. Cl.** **D26/87**

FIG. 2 is a front elevation view thereof;

(58) **Field of Search** D26/72, 87, 92,
D26/142, 155; 362/147, 432

FIG. 3 is a rear elevation view thereof;

(56) **References Cited**

U.S. PATENT DOCUMENTS

D. 65,207 * 7/1924 Wolter D26/72

D. 434,873 * 12/2000 Jaspers-Fayer et al. D26/155

FIG. 4 is a left side elevation view thereof;

FIG. 5 is a right side elevation view thereof;

OTHER PUBLICATIONS

Art Craft Lighting catalog, p. 78, 1992.*

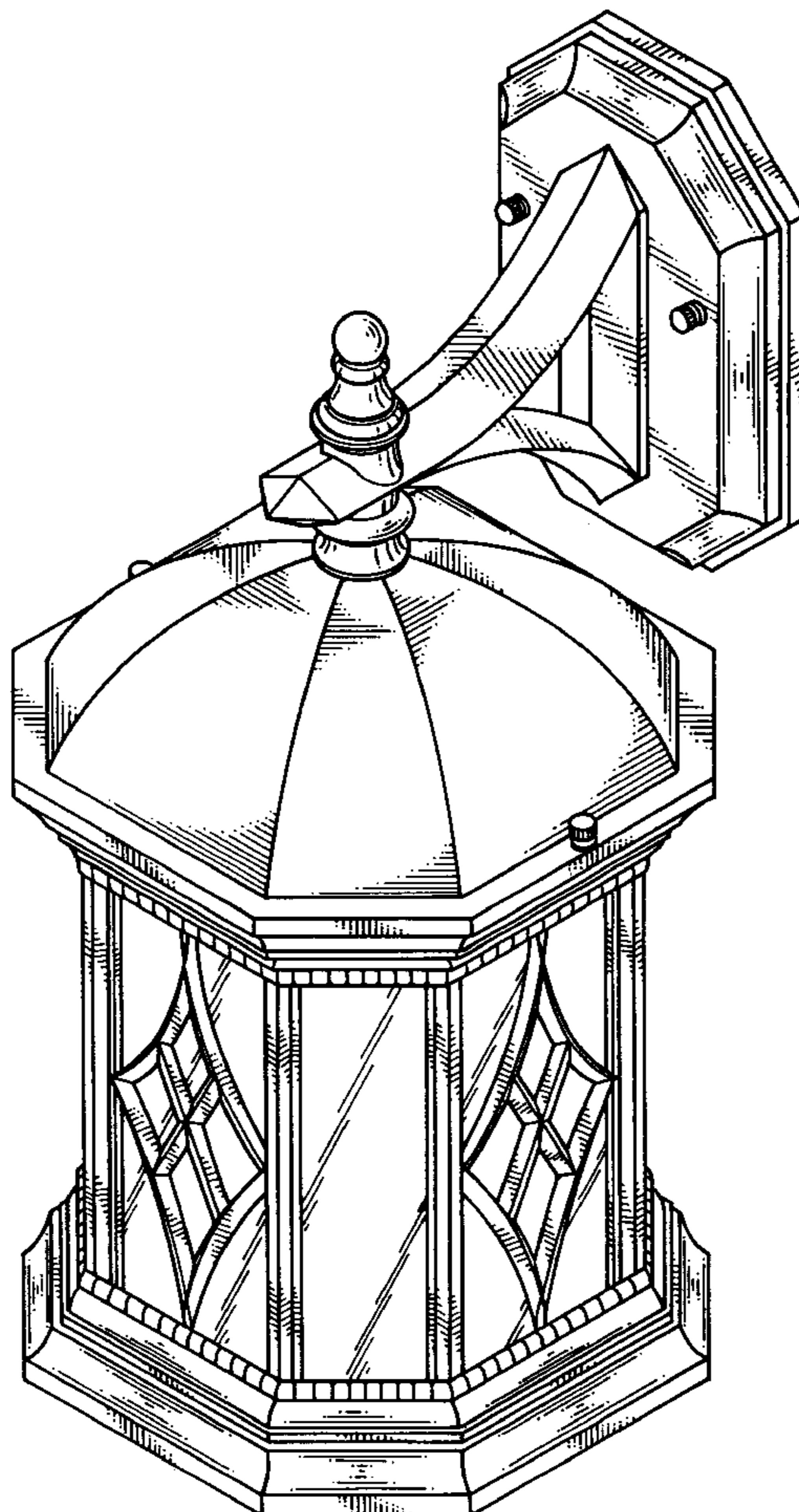
FIG. 6 is a top plan view thereof; and,

FIG. 7 is a bottom plan view thereof.

* cited by examiner

Primary Examiner—Susan J. Lucas

1 Claim, 6 Drawing Sheets



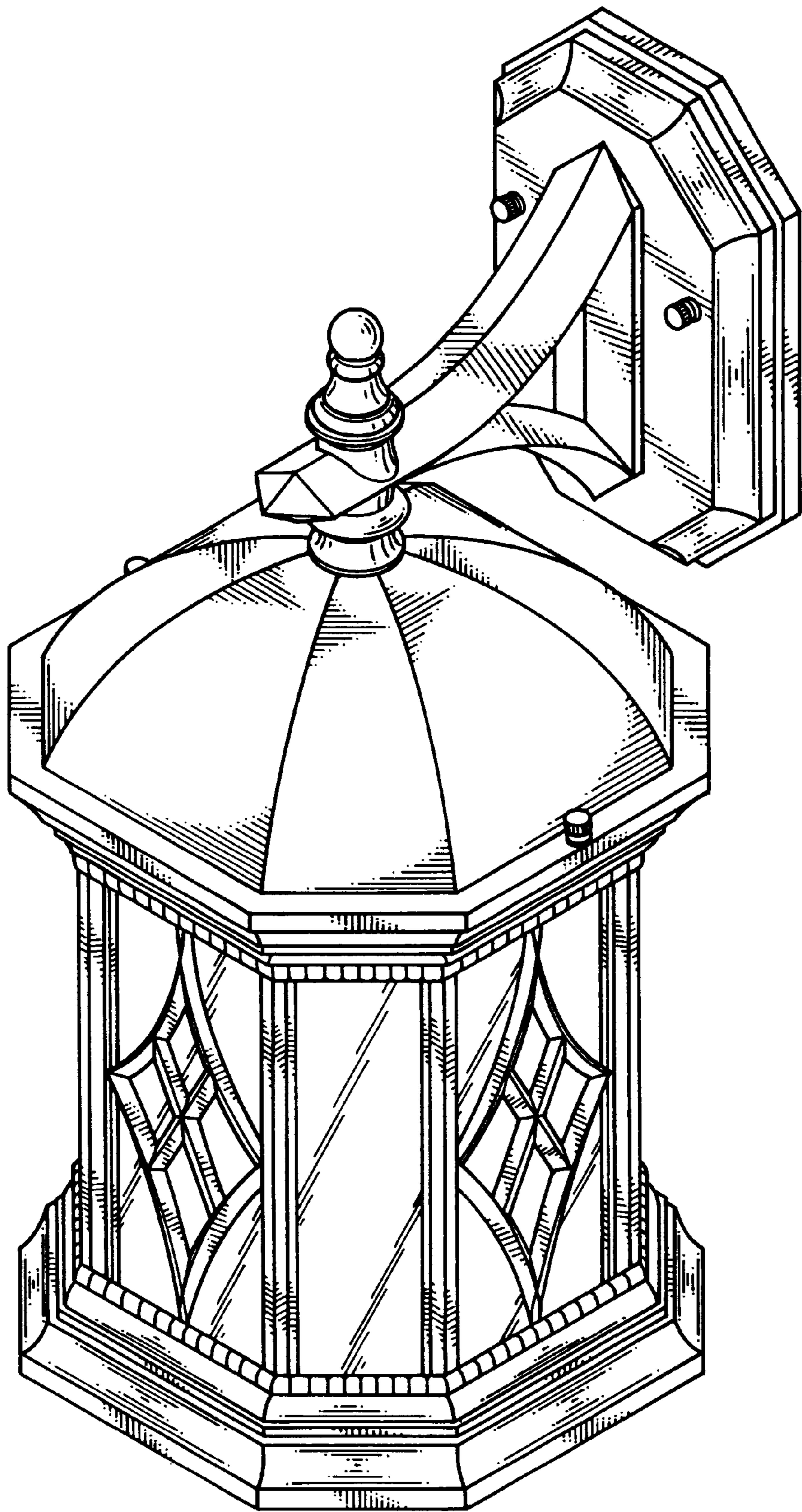


FIG. 1

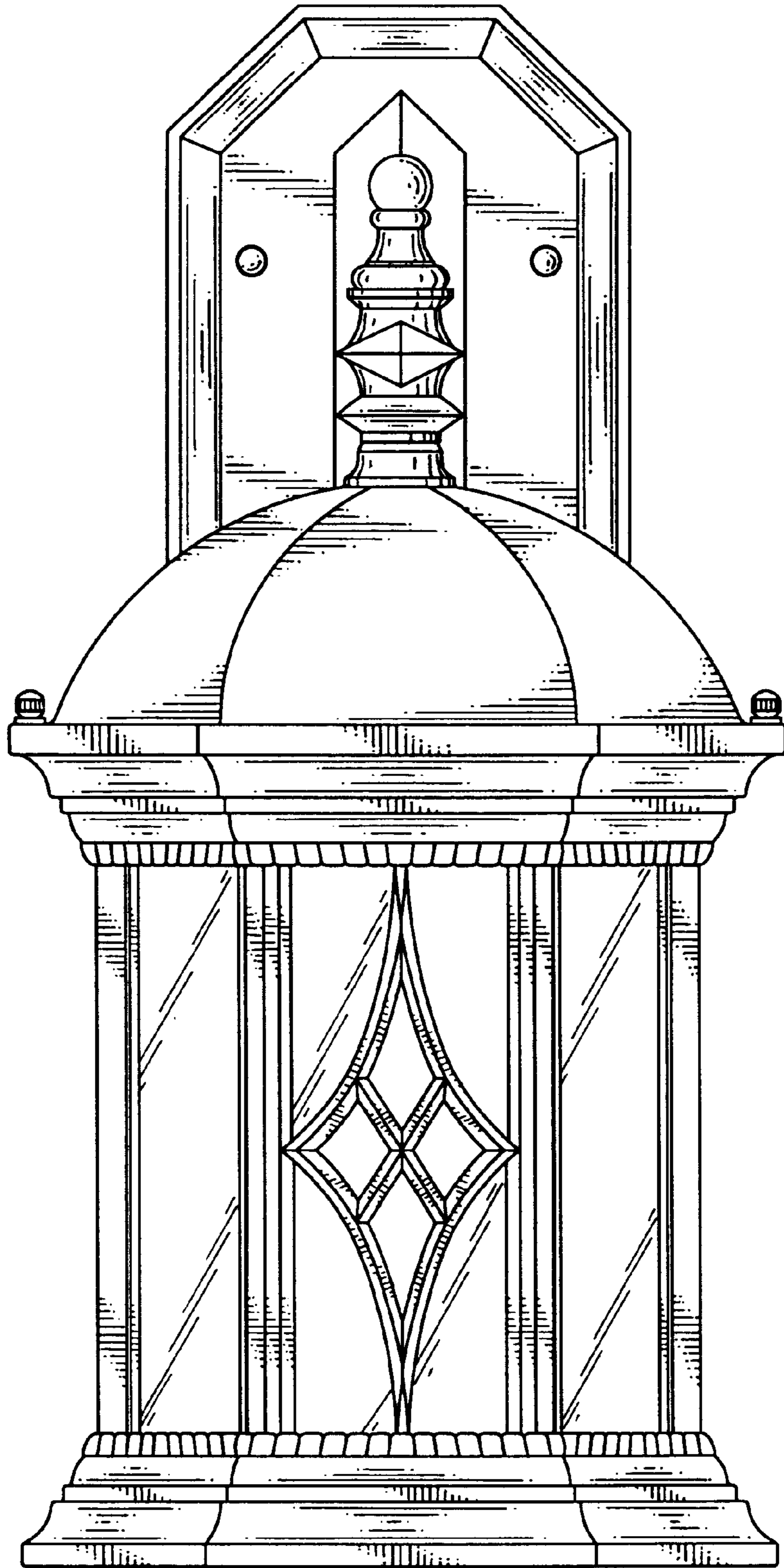


FIG. 2

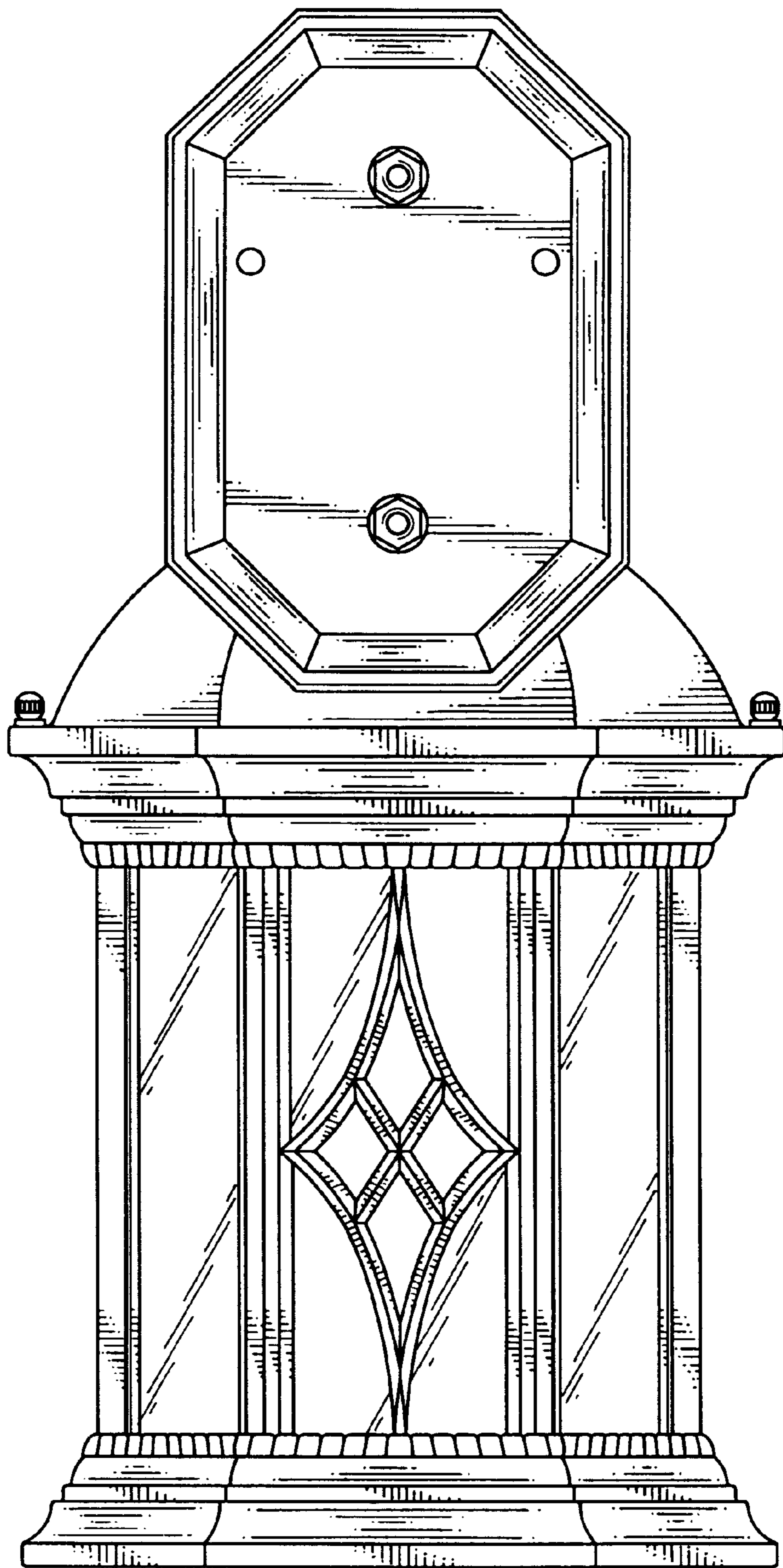


FIG. 3

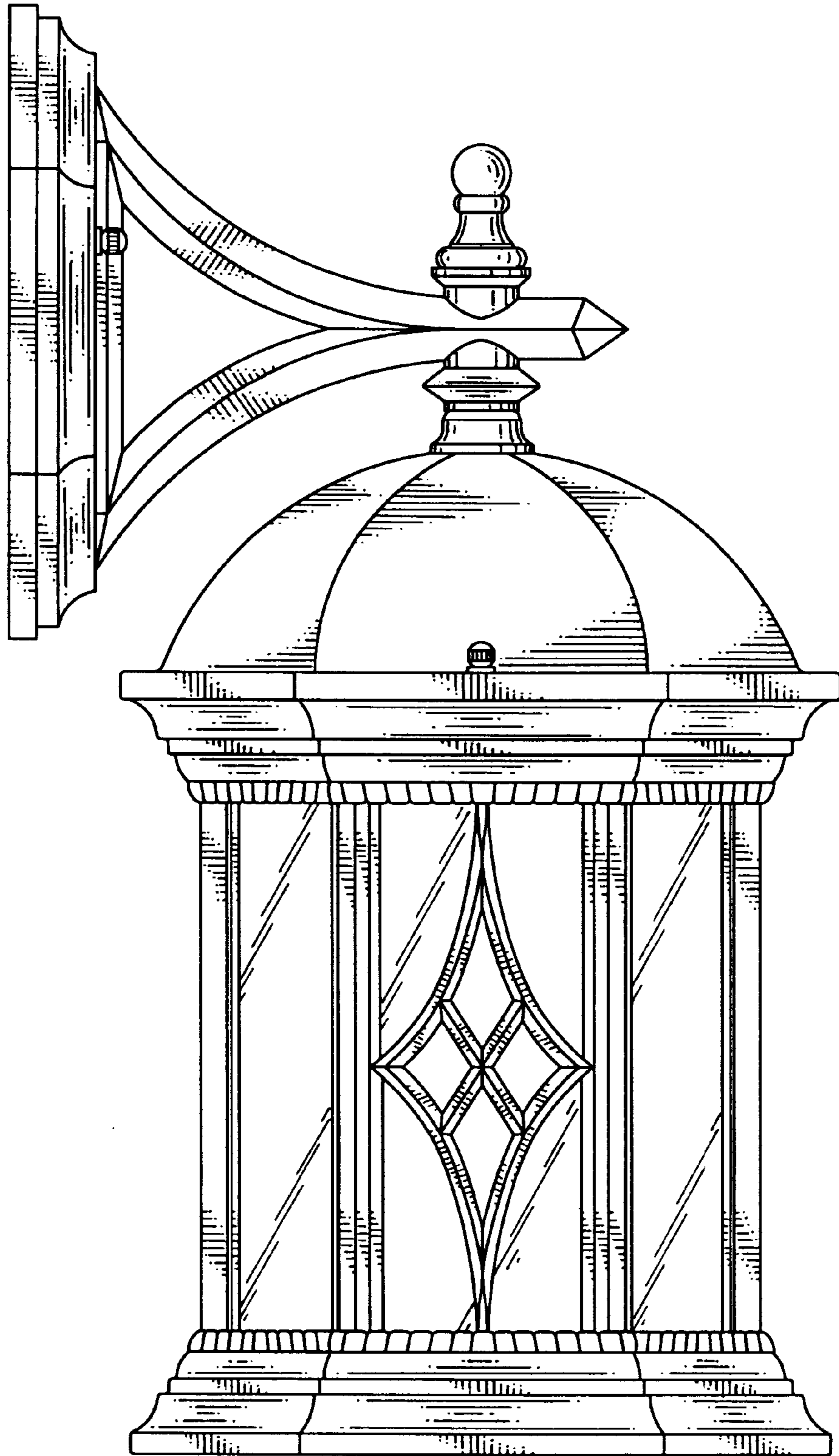


FIG. 4

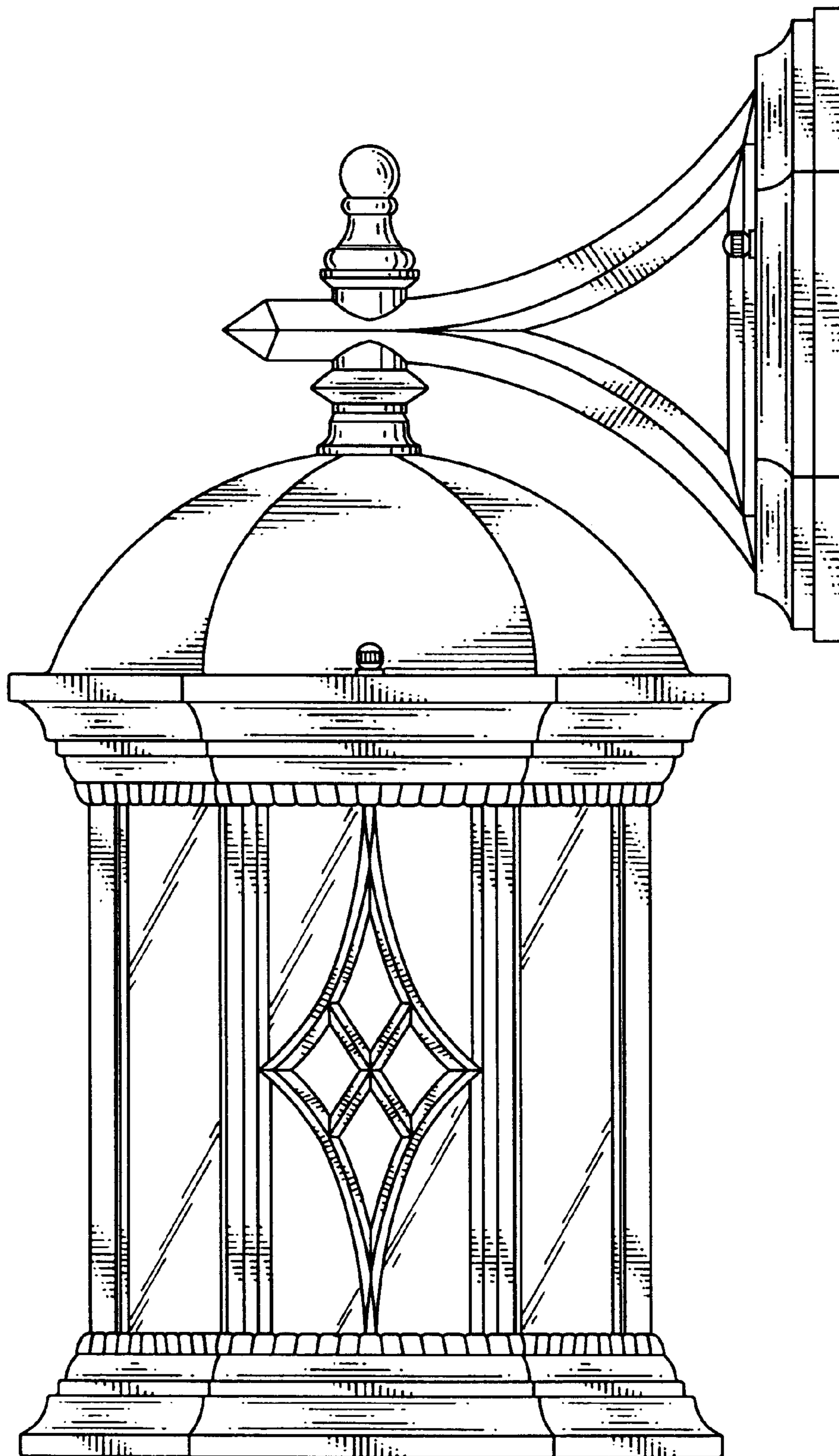


FIG. 5

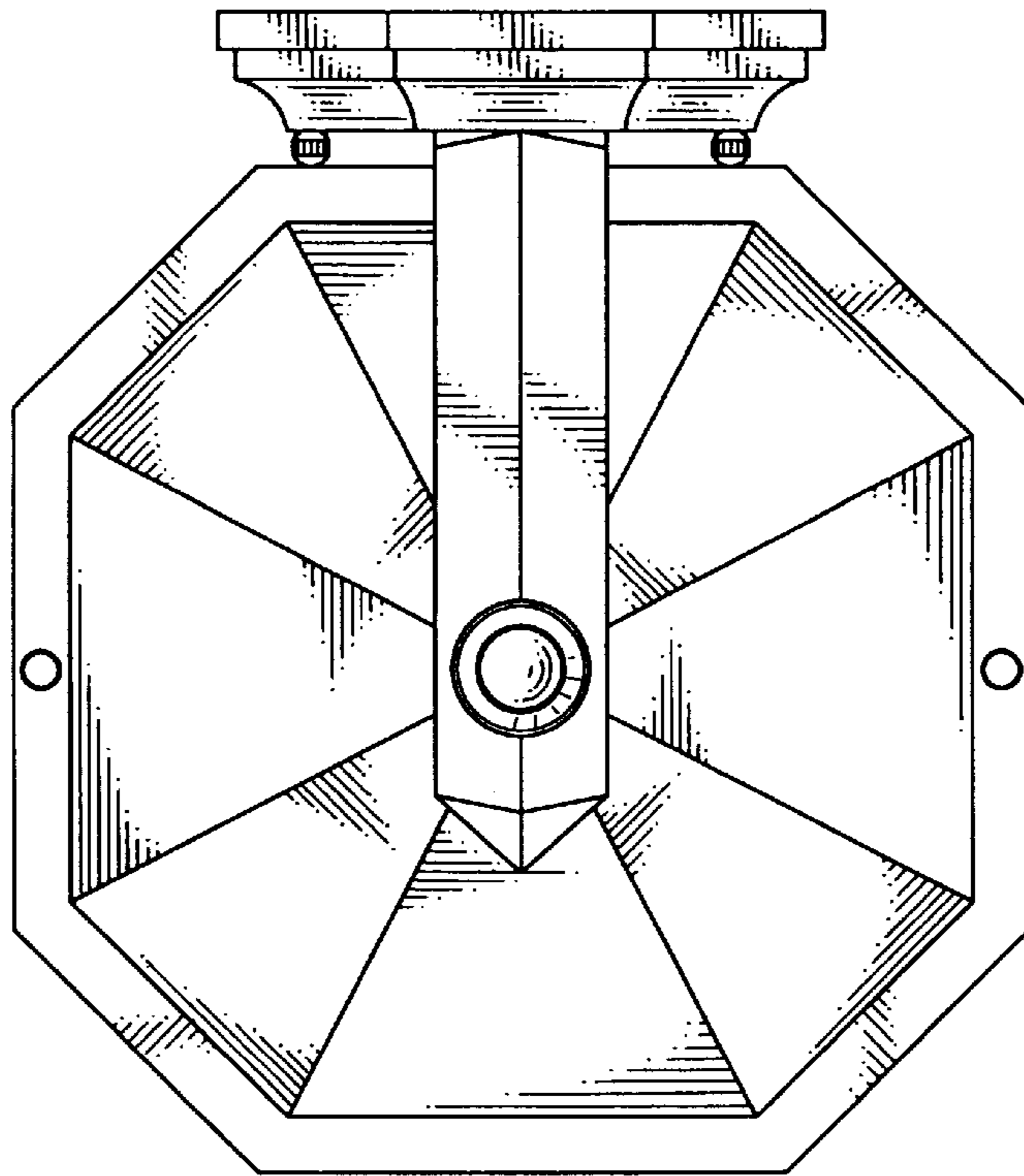


FIG. 6

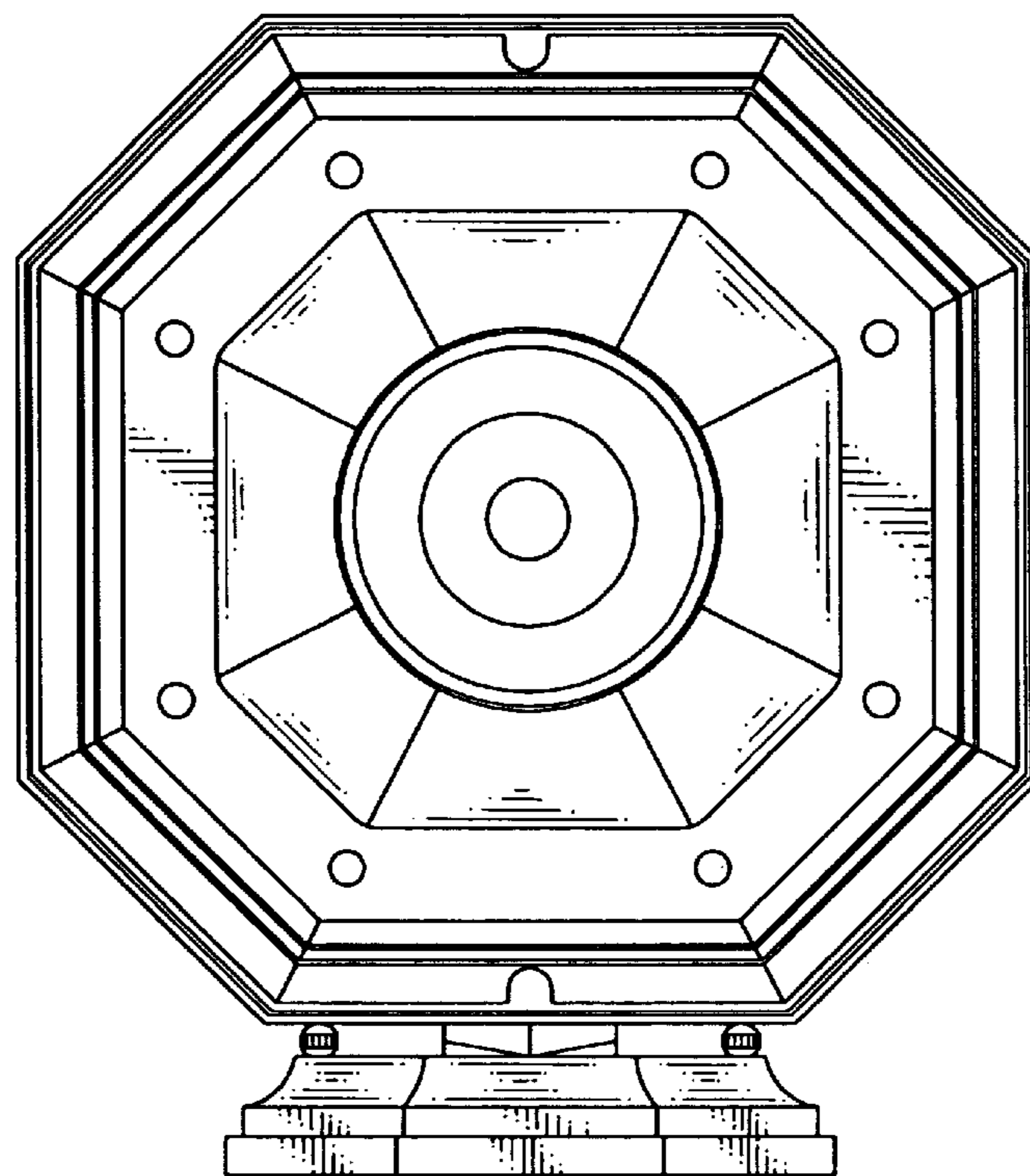


FIG. 7