



US00D442318S

(12) **United States Design Patent**
Hsieh

(10) **Patent No.:** **US D442,318 S**

(45) **Date of Patent:** **** May 15, 2001**

(54) **WALL LAMP**

(76) Inventor: **Freda Hsieh**, No.2, Ning Hsia East 2nd Street, Taichung (TW)

(**) Term: **14 Years**

(21) Appl. No.: **29/128,987**

(22) Filed: **Sep. 7, 2000**

(51) **LOC (7) Cl.** **26-05**

(52) **U.S. Cl.** **D26/87**

(58) **Field of Search** D26/72, 87, 92,
D26/142, 155; 362/147, 432

(56) **References Cited**

U.S. PATENT DOCUMENTS

D. 427,721 * 7/2000 De'Armond D26/155

OTHER PUBLICATIONS

Classic Illumination Inc. catalog, p. 4, wall lamp # 1885-112- 1991.*

* cited by examiner

Primary Examiner—Susan J. Lucas

(74) *Attorney, Agent, or Firm*—Rosenberg, Klein & Lee

(57) **CLAIM**

The ornamental design for a wall lamp, as shown and described.

DESCRIPTION

FIG. 1 is a perspective view of wall lamp showing my new design;

FIG. 2 is a front elevation view thereof;

FIG. 3 is a rear elevation view thereof;

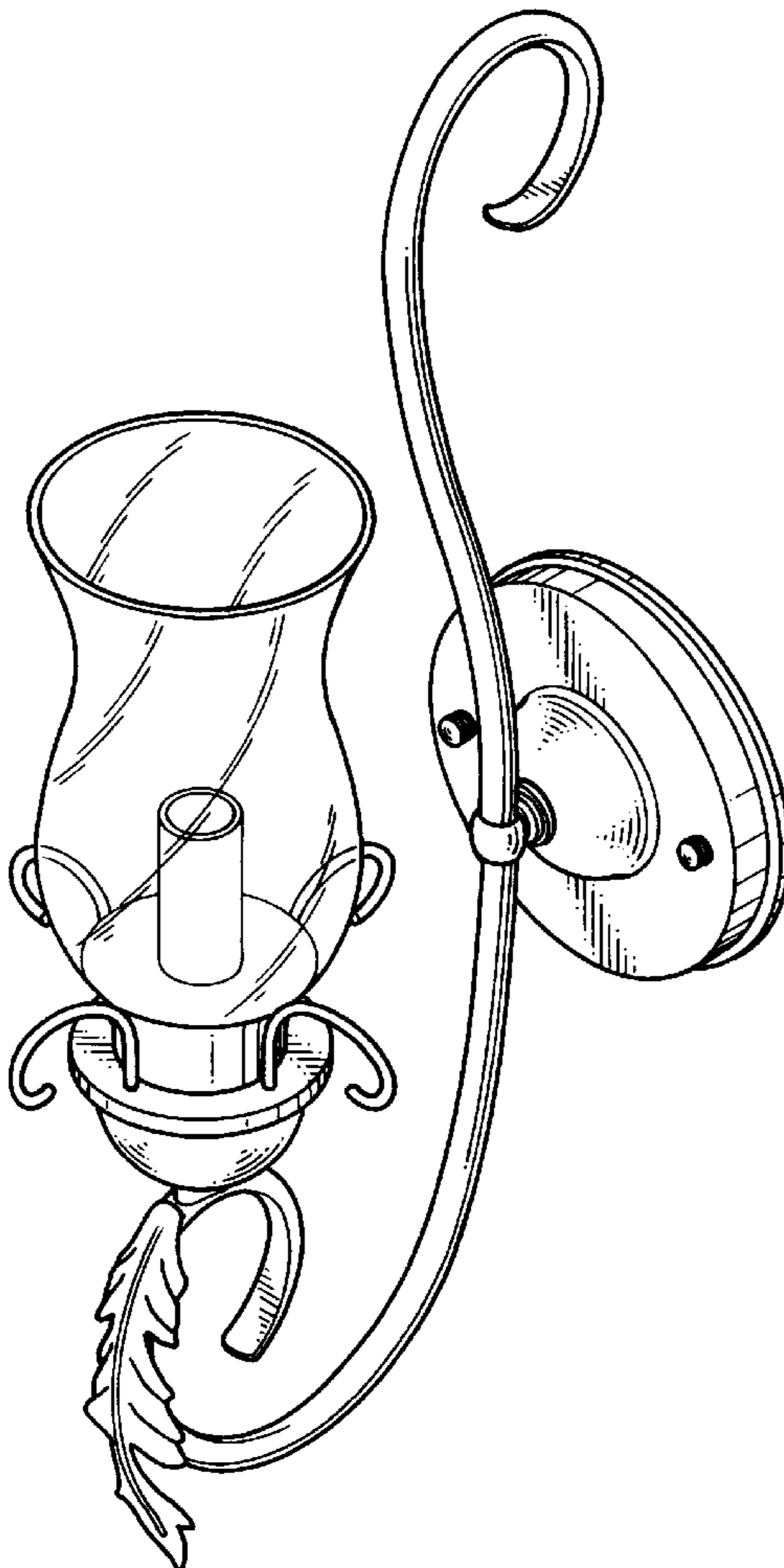
FIG. 4 is a left side elevation view thereof;

FIG. 5 is a right side elevation view thereof;

FIG. 6 is a top plan view thereof; and,

FIG. 7 is a bottom plan view thereof.

1 Claim, 4 Drawing Sheets



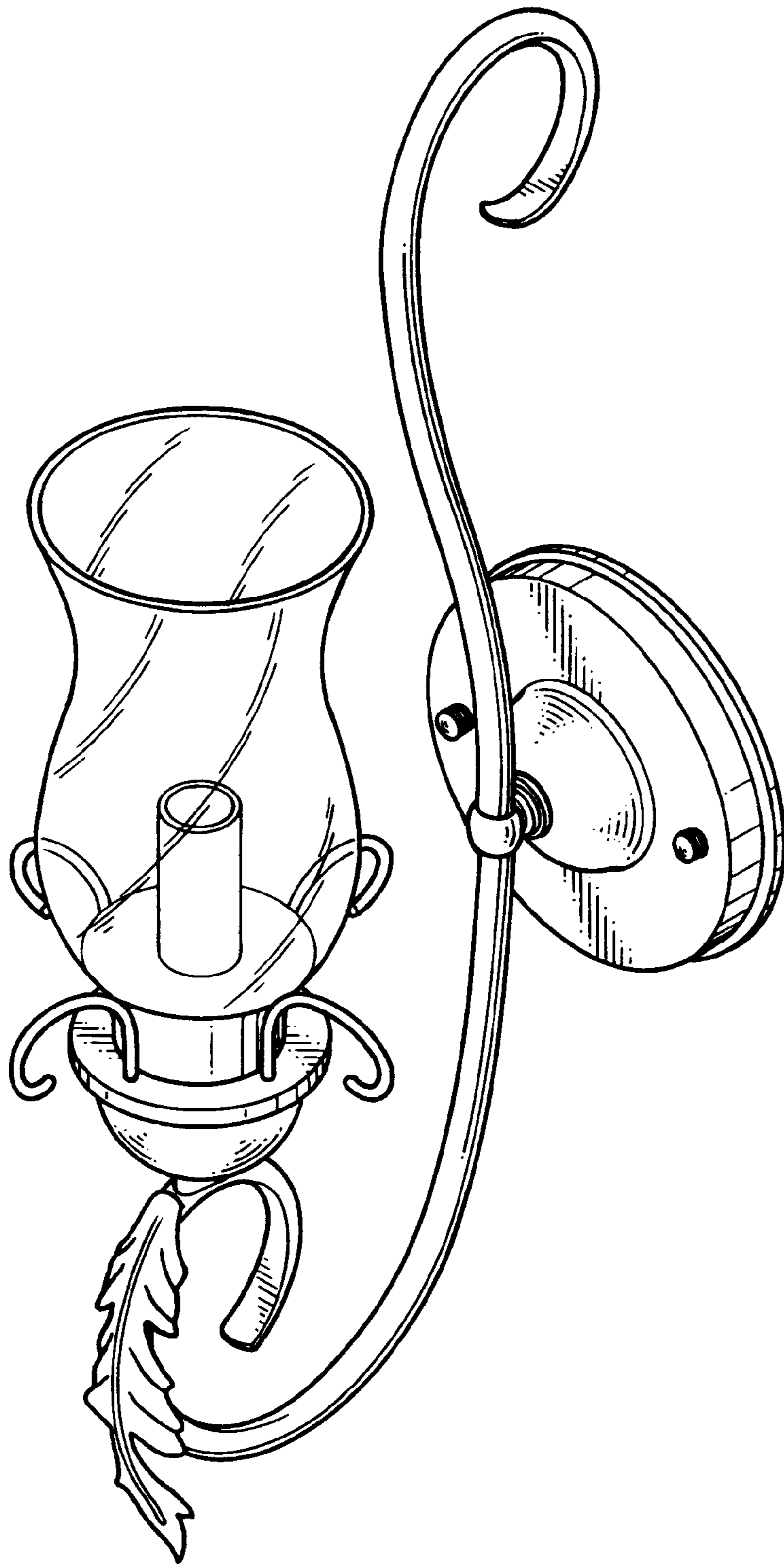


FIG. 1

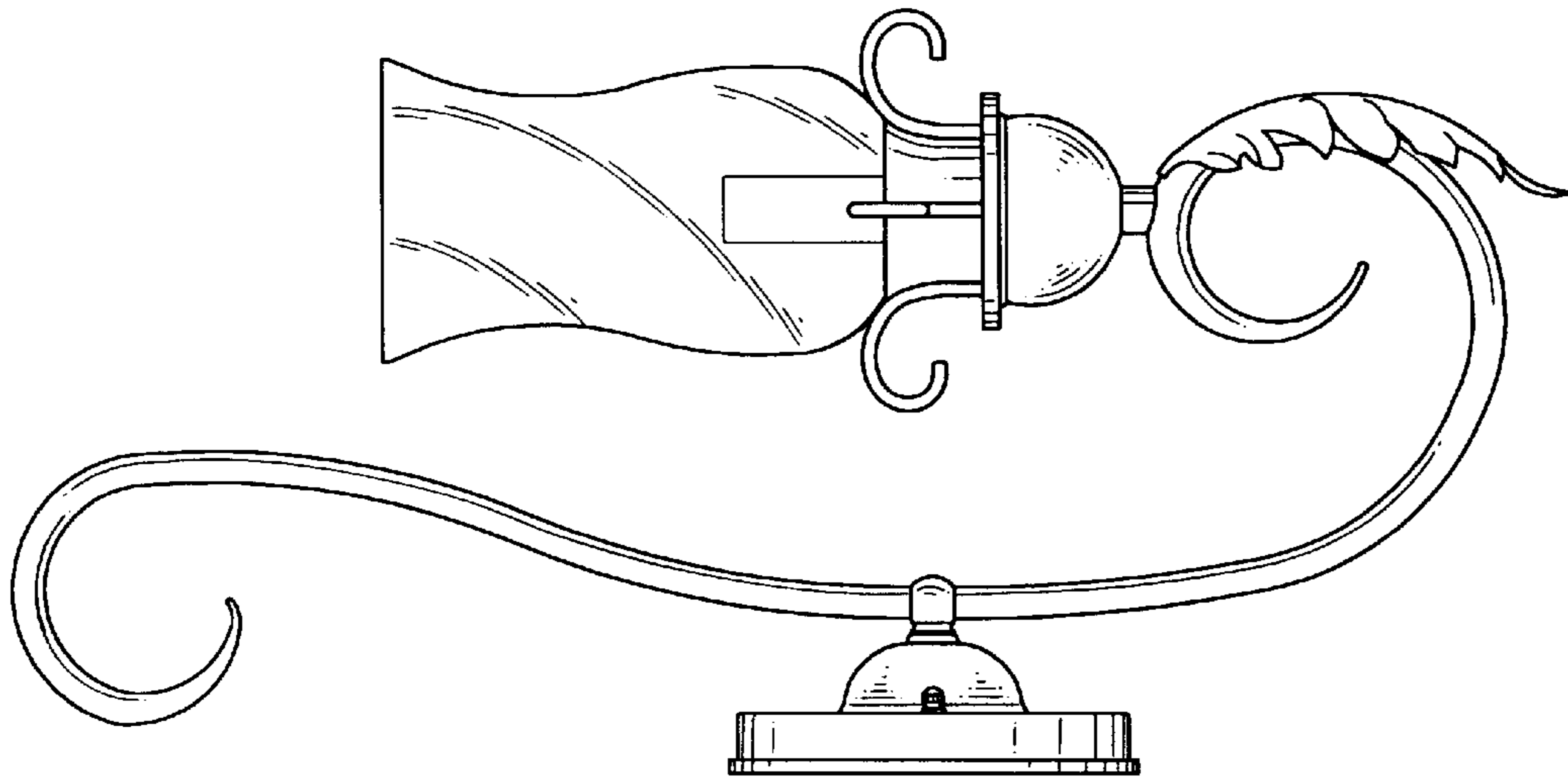


FIG. 3

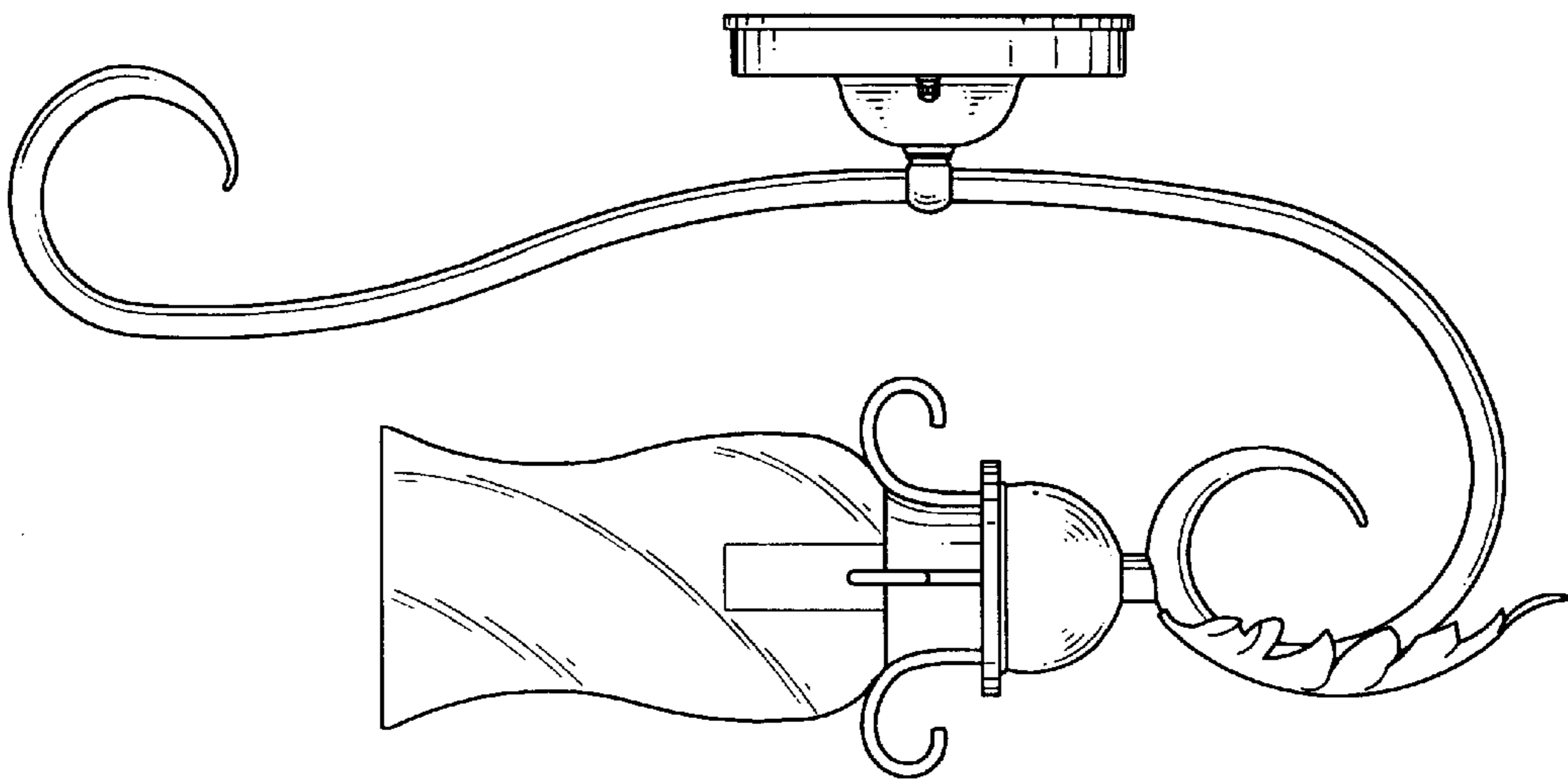


FIG. 2

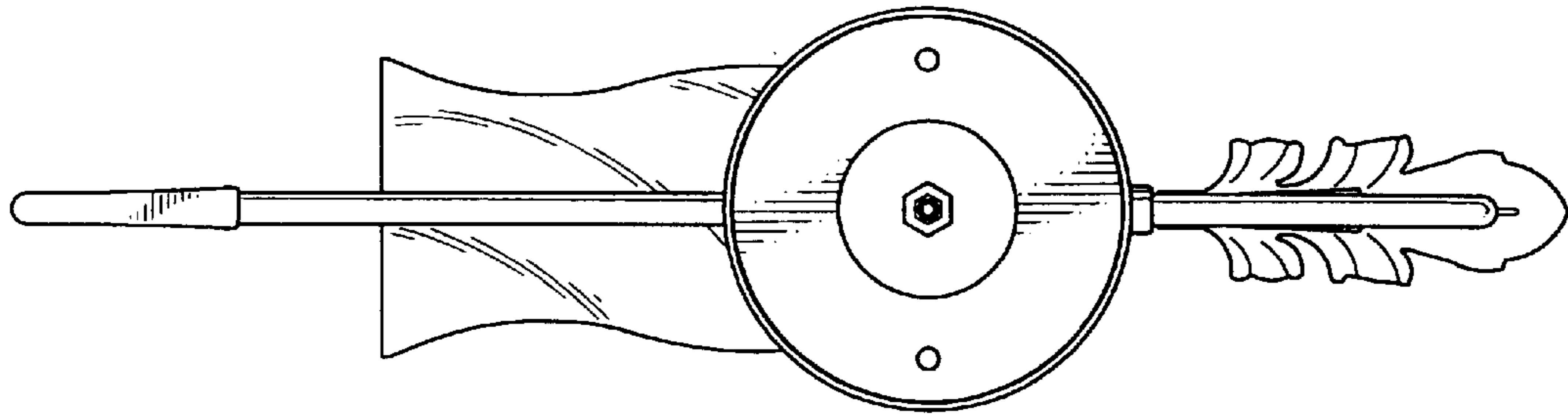


FIG. 5

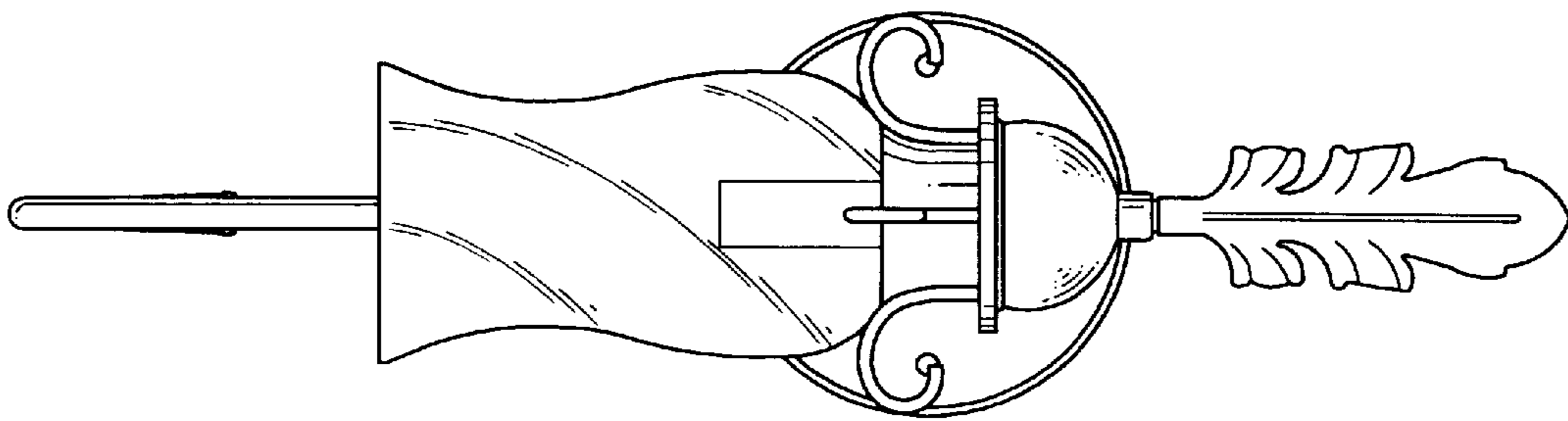


FIG. 4

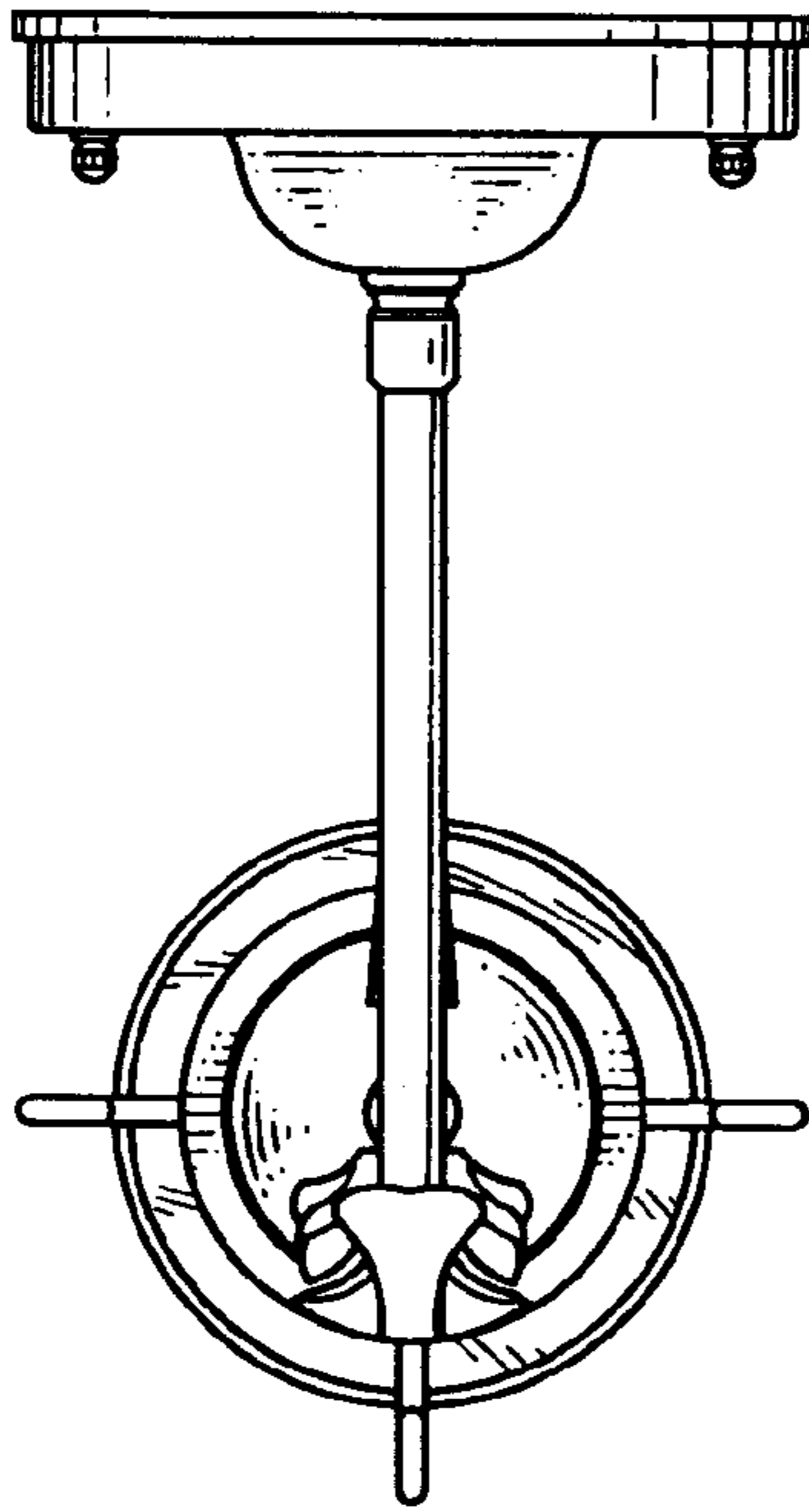


FIG. 7

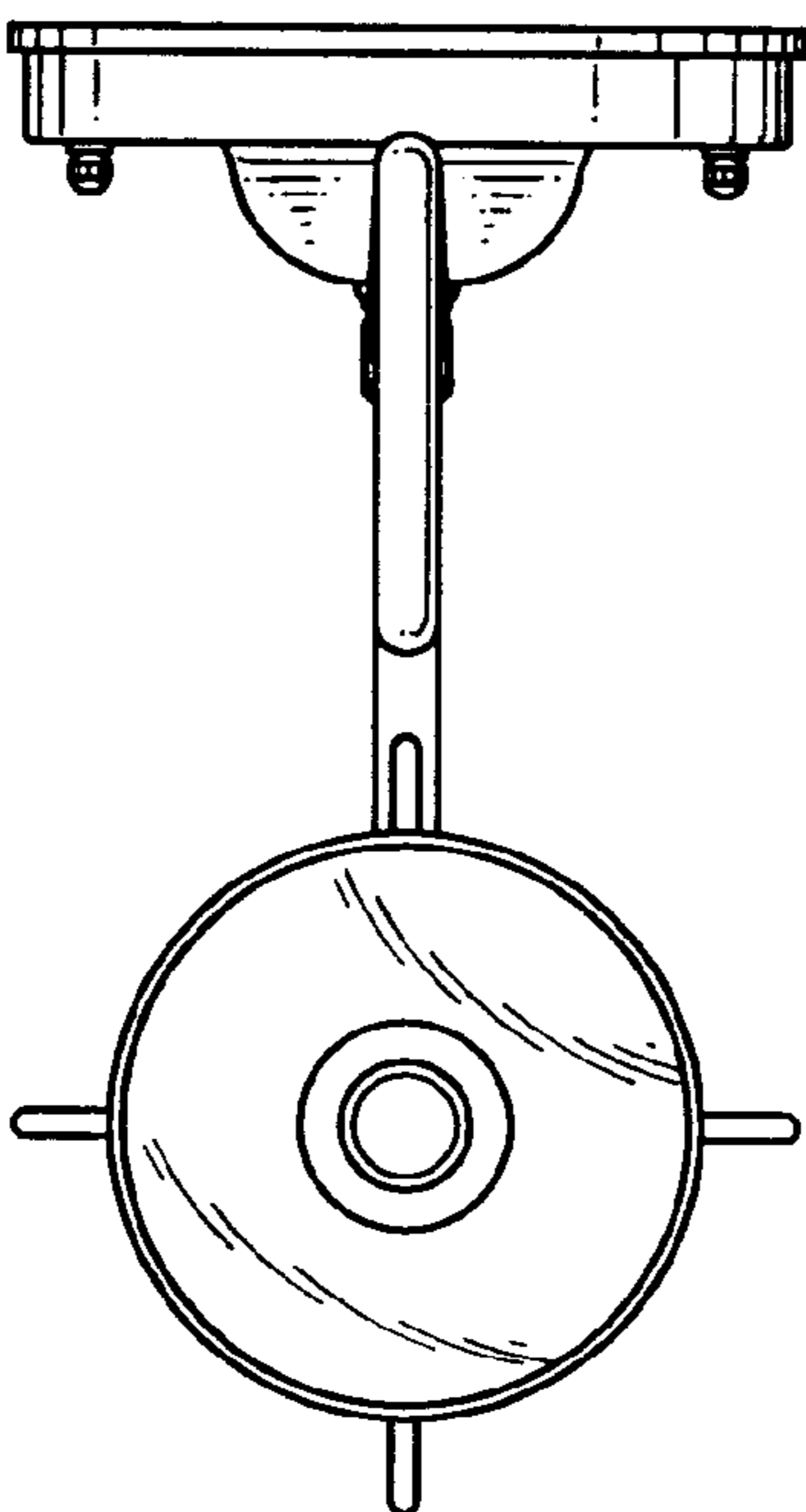


FIG. 6