



US00D442317S

(12) **United States Design Patent**
Crosby

(10) **Patent No.:** **US D442,317 S**

(45) **Date of Patent:** **** May 15, 2001**

(54) **WALL SCONCE WITH TUBULAR BODY WITH BEVELED BOTTOM END AND TUBULAR SHADE**

(75) Inventor: **Doyle Crosby**, San Rafael, CA (US)

(73) Assignee: **Boyd Lighting Company**, San Francisco, CA (US)

(**) Term: **14 Years**

(21) Appl. No.: **29/124,585**

(22) Filed: **Jun. 7, 2000**

(51) **LOC (7) Cl.** **26-03**

(52) **U.S. Cl.** **D26/87**

(58) **Field of Search** D26/72-91, 9;
362/147, 161, 432, 392, 810

(56) **References Cited**

U.S. PATENT DOCUMENTS

D. 124,182	*	12/1940	McCann	D26/87
D. 164,507	*	9/1951	McCann	D26/76
D. 320,864	*	10/1991	Boschetto	D26/73
D. 384,764	*	10/1997	Littman	D26/87
D. 403,097	*	12/1998	Littman	D26/87
D. 413,998	*	9/1999	Littman	D26/87

OTHER PUBLICATIONS

Linolite Ltd. lamp brochure, lamp type SD.3, Jun. 1954.*

* cited by examiner

Primary Examiner—Alan P. Douglas

Assistant Examiner—Linda Brooks

(74) *Attorney, Agent, or Firm*—Jack Lo

(57) **CLAIM**

The ornamental design for a wall sconce with tubular body with beveled bottom end and tubular shade, as shown and described.

DESCRIPTION

FIG. 1 is a front perspective view of the present wall sconce with tubular body with beveled bottom end and tubular shade showing my new design.

FIG. 2 is a front view thereof.

FIG. 3 is a rear view thereof.

FIG. 4 is a right side view thereof.

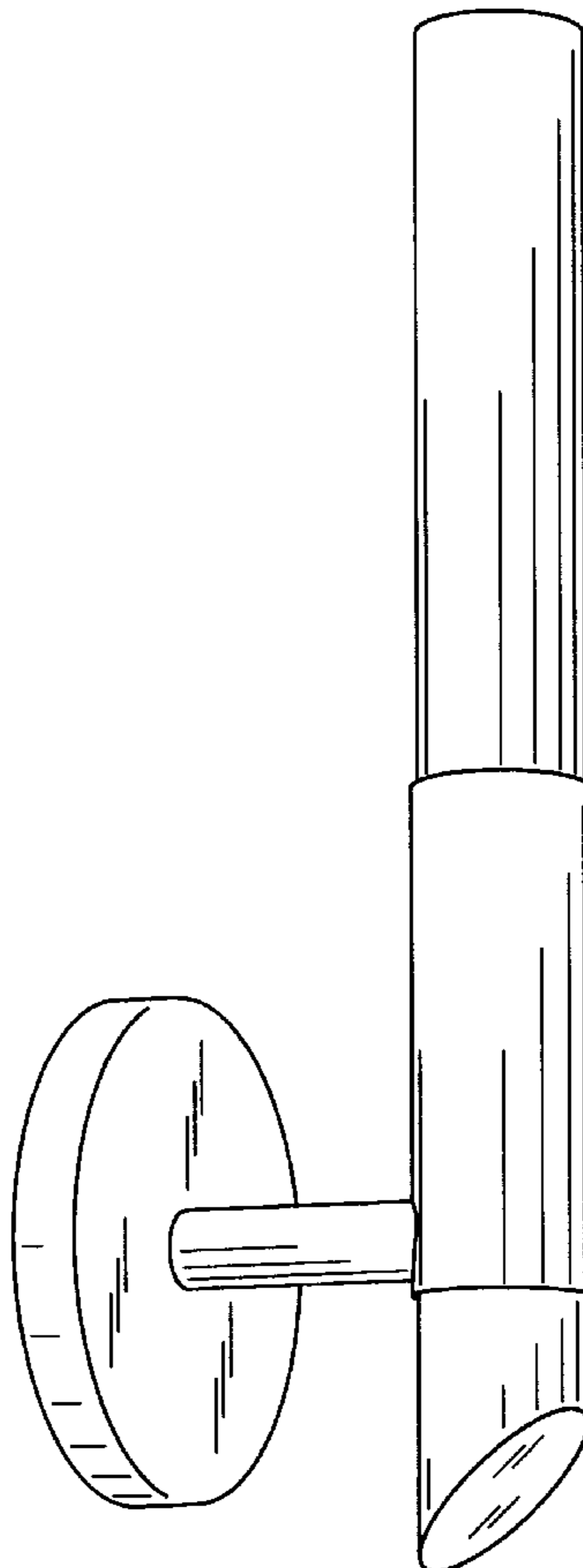
FIG. 5 is a left side view thereof.

FIG. 6 is a top view thereof; and,

FIG. 7 is a bottom view thereof.

The broken lines which define the bounds of the claimed design form no part thereof.

1 Claim, 4 Drawing Sheets



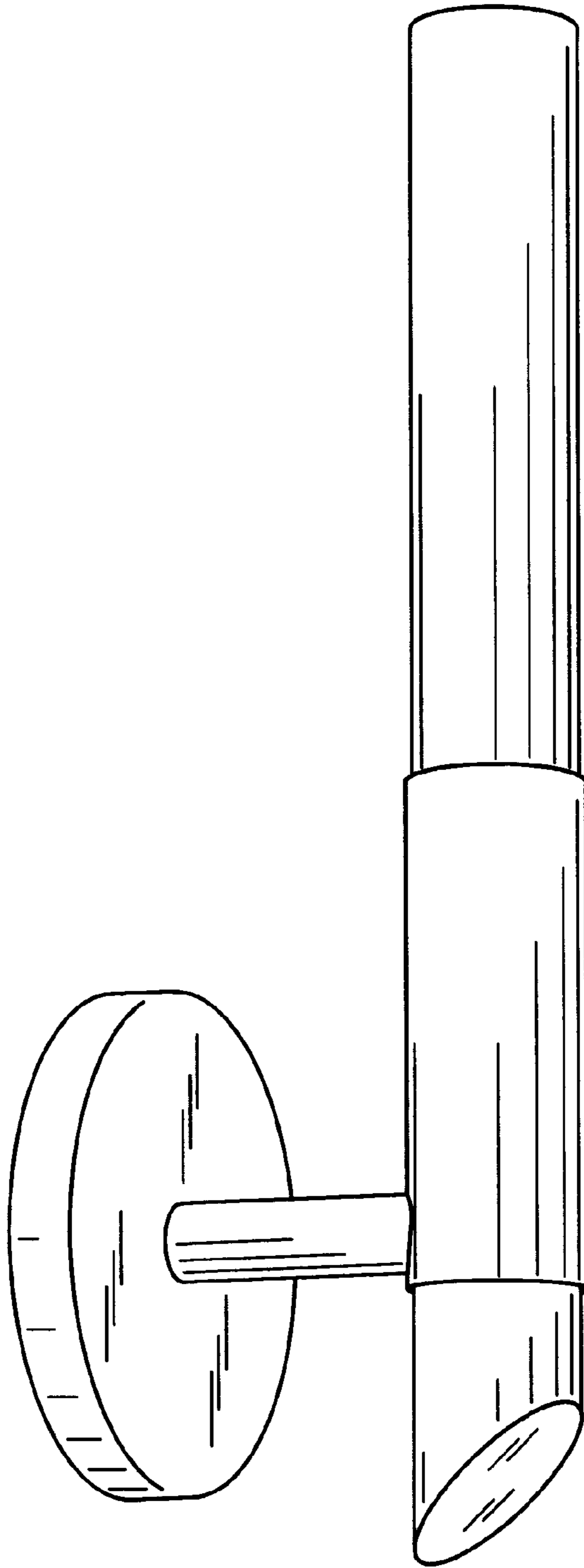


Fig. 1

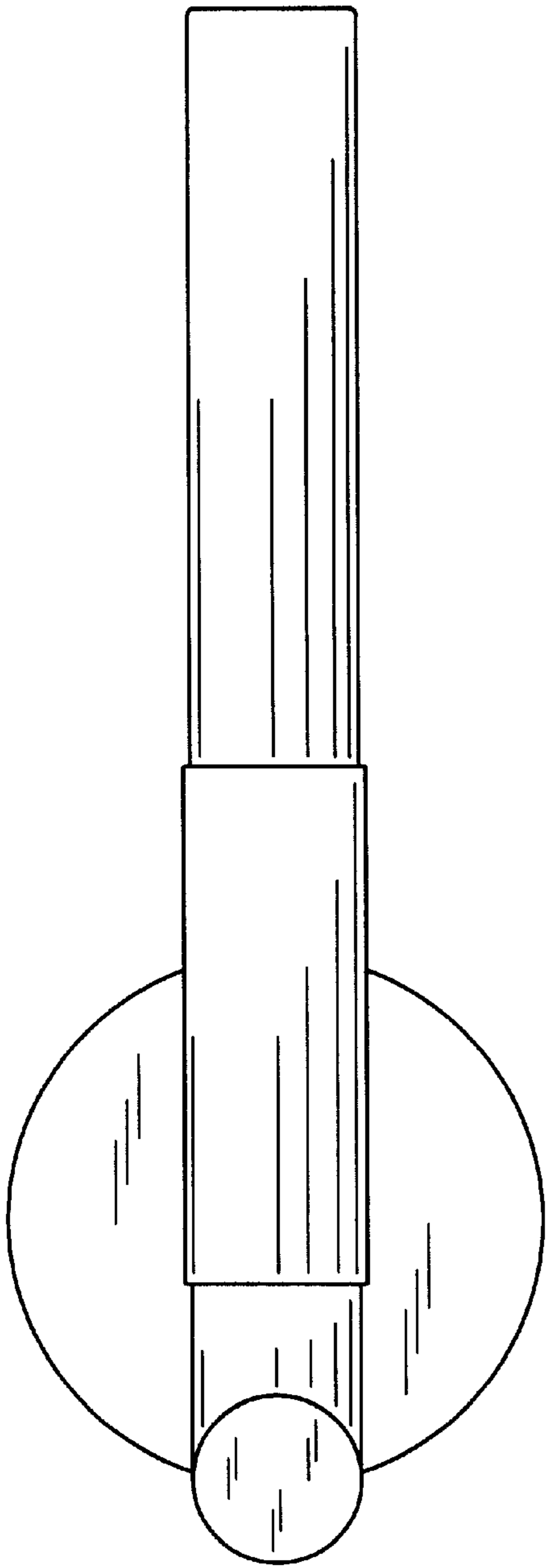


Fig. 2

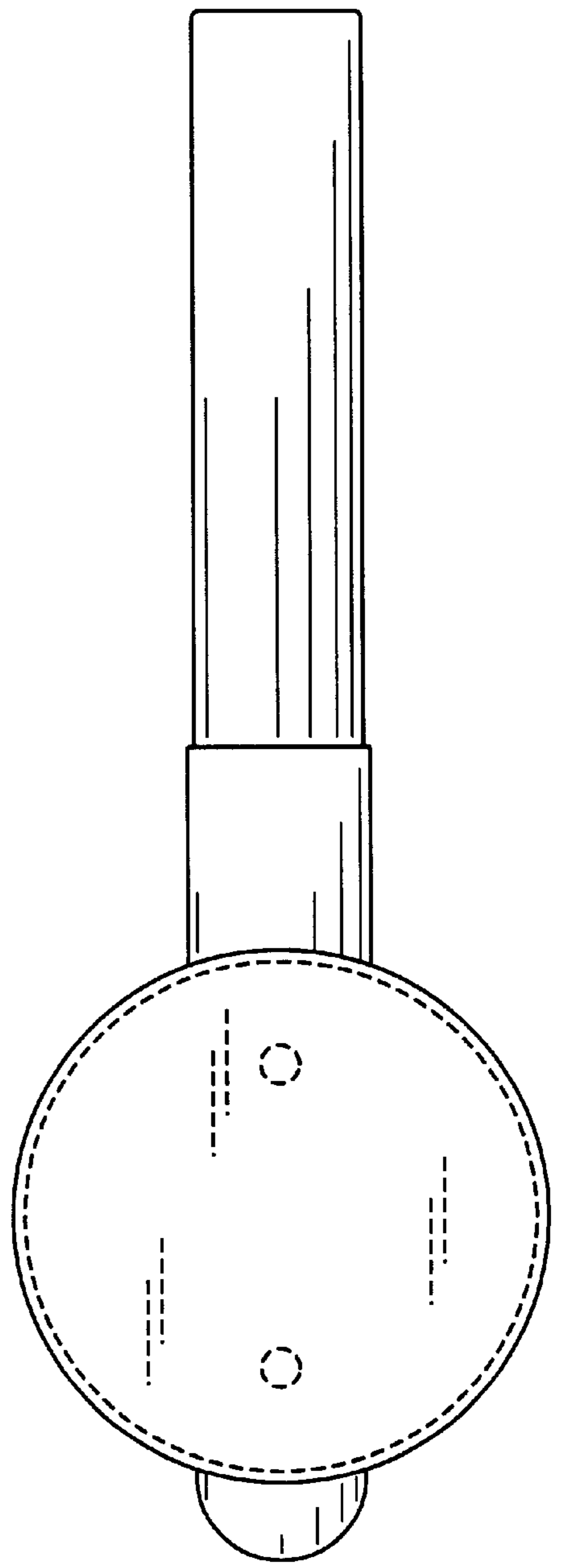


Fig. 3

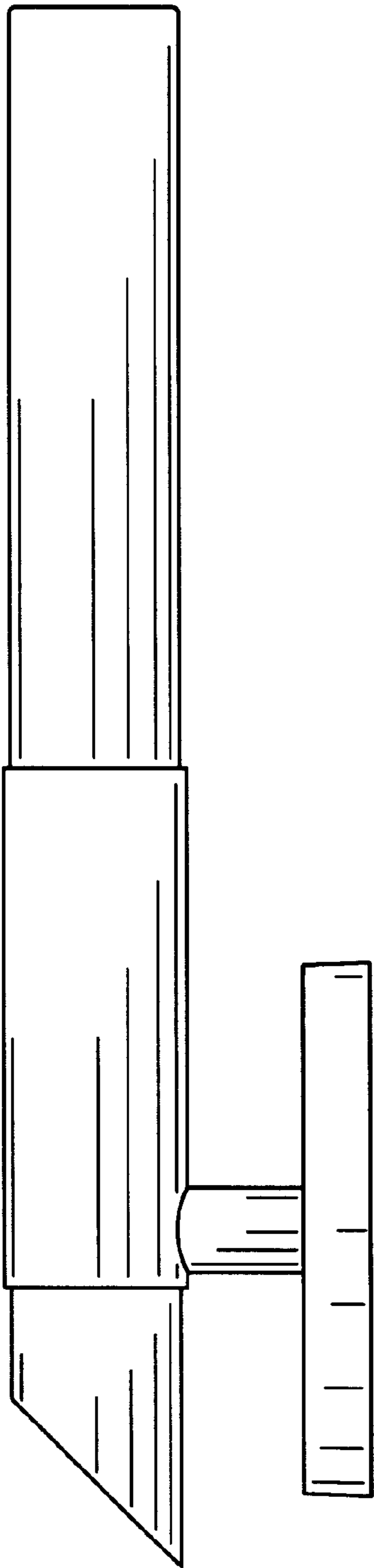


Fig. 4

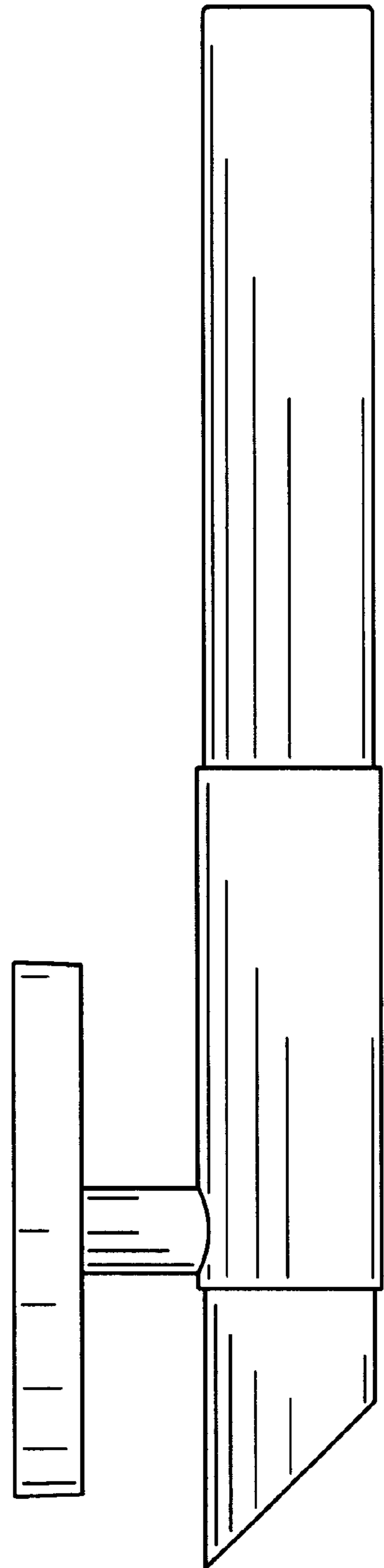


Fig. 5

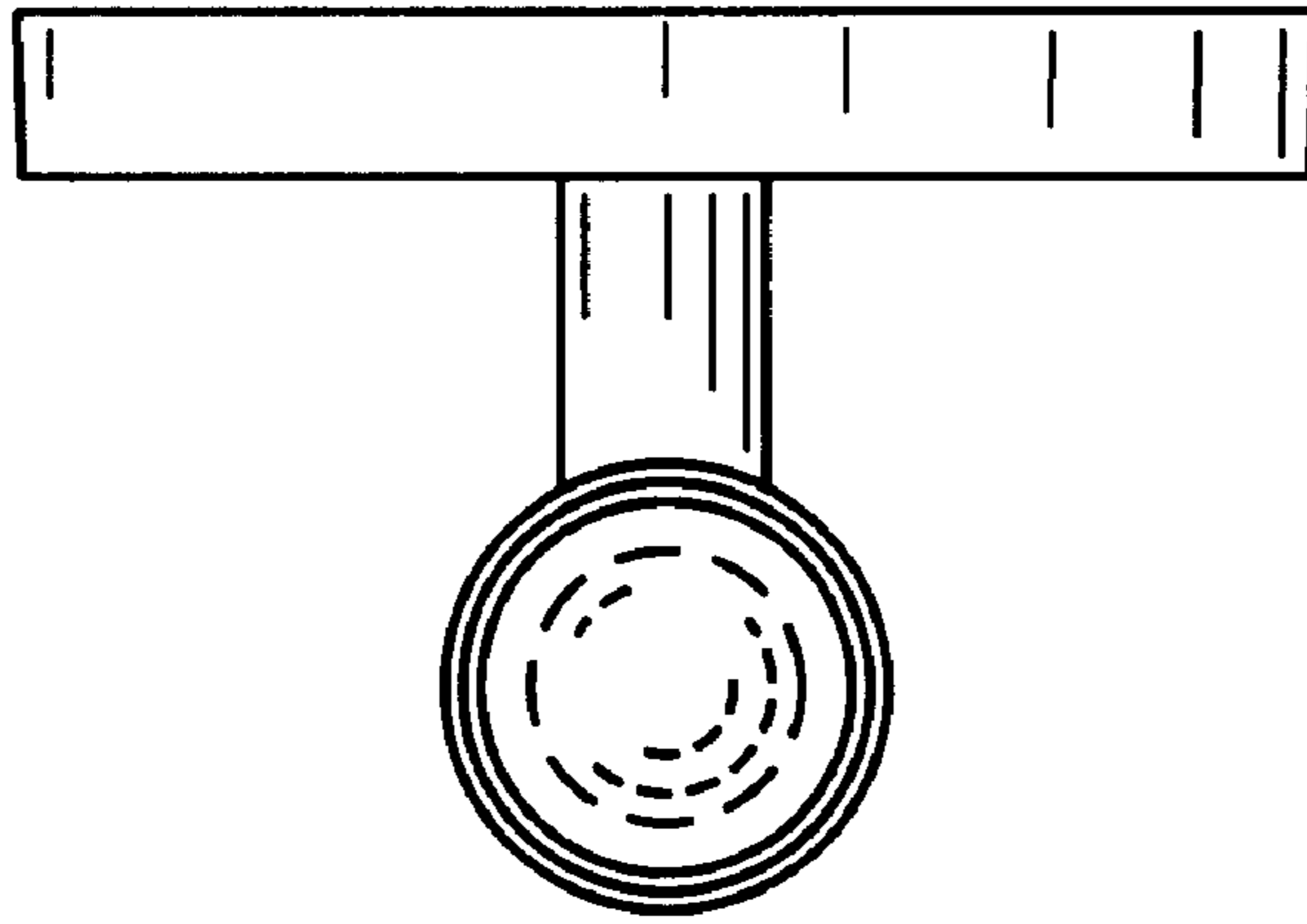


Fig. 6

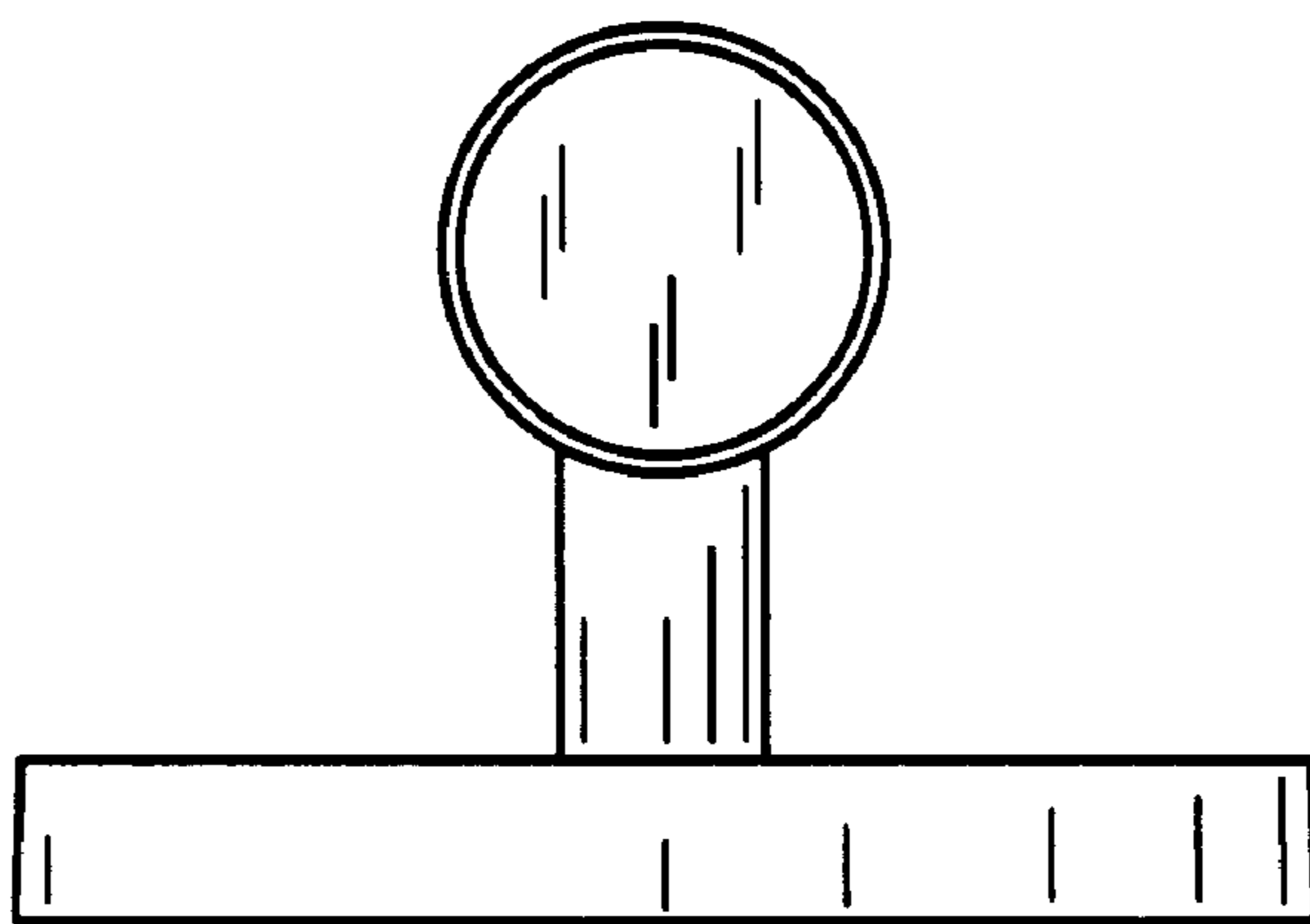


Fig. 7