



US00D442315S

(12) **United States Design Patent**  
**Schaefer et al.**

(10) **Patent No.:** **US D442,315 S**

(45) **Date of Patent:** **\*\* May 15, 2001**

(54) **LIGHTING FIXTURE**

(75) Inventors: **Douglas S. Schaefer**, Port Washington;  
**Andrew W. Shabica**, Mequon; **Glen**  
**Gorsiski**, Racine, all of WI (US)

(73) Assignee: **Visa Lighting Corporation**,  
Milwaukee, WI (US)

(\*\*) Term: **14 Years**

(21) Appl. No.: **29/125,786**

(22) Filed: **Jun. 28, 2000**

(51) **LOC (7) Cl.** ..... **26-05**

(52) **U.S. Cl.** ..... **D26/85**

(58) **Field of Search** ..... D26/72, 80-92;  
362/147, 404-408

(56) **References Cited**

**PUBLICATIONS**

U.S. application No. 29/125,783, Schaefer et al., filed Jun.  
28, 2000.

U.S. application No. 29/125,784, Schaefer et al., filed Jun.  
28, 2000.

U.S. application No. 29/125,785, Schaefer et al., filed Jun.  
28, 2000.

*Primary Examiner*—Susan J. Lucas

(74) *Attorney, Agent, or Firm*—Welsh & Katz, Ltd.

(57) **CLAIM**

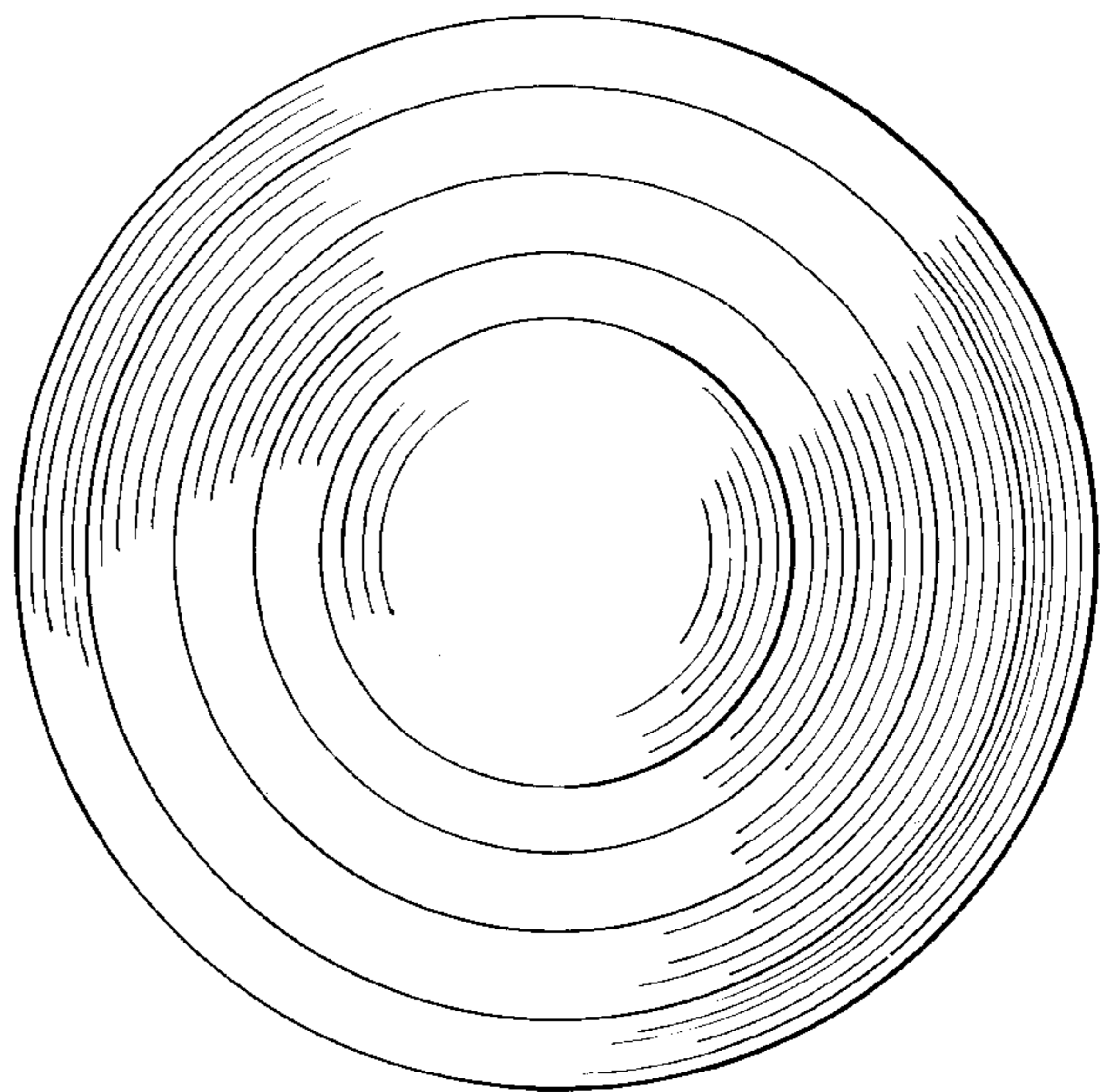
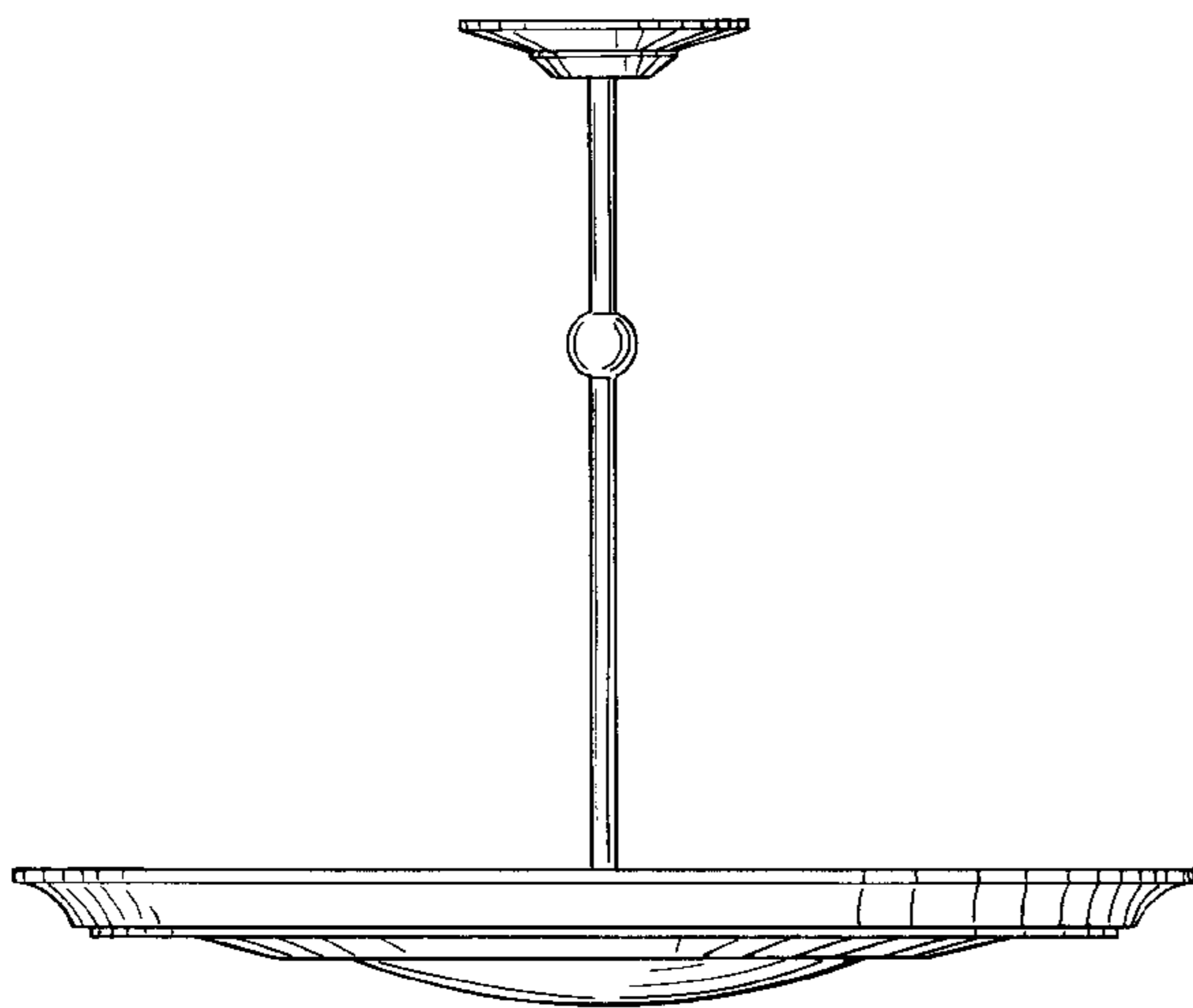
The ornamental design for a lighting fixture, as shown and  
described.

**DESCRIPTION**

FIG. 1 is a side view of a lighting fixture of the claimed  
design; and,

FIG. 2 is a bottom view of the lighting fixture of FIG. 1.

**1 Claim, 1 Drawing Sheet**



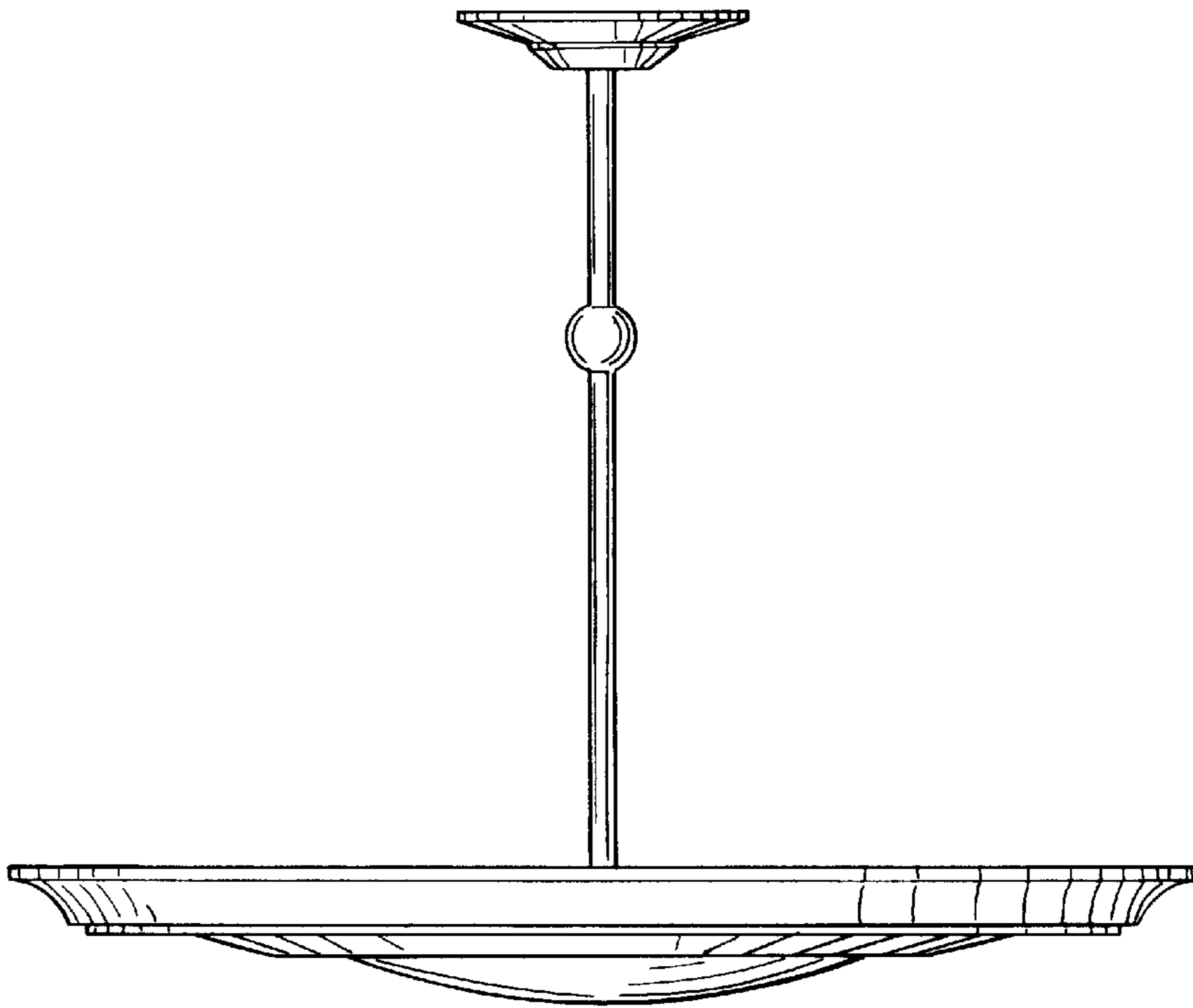


FIG. 1

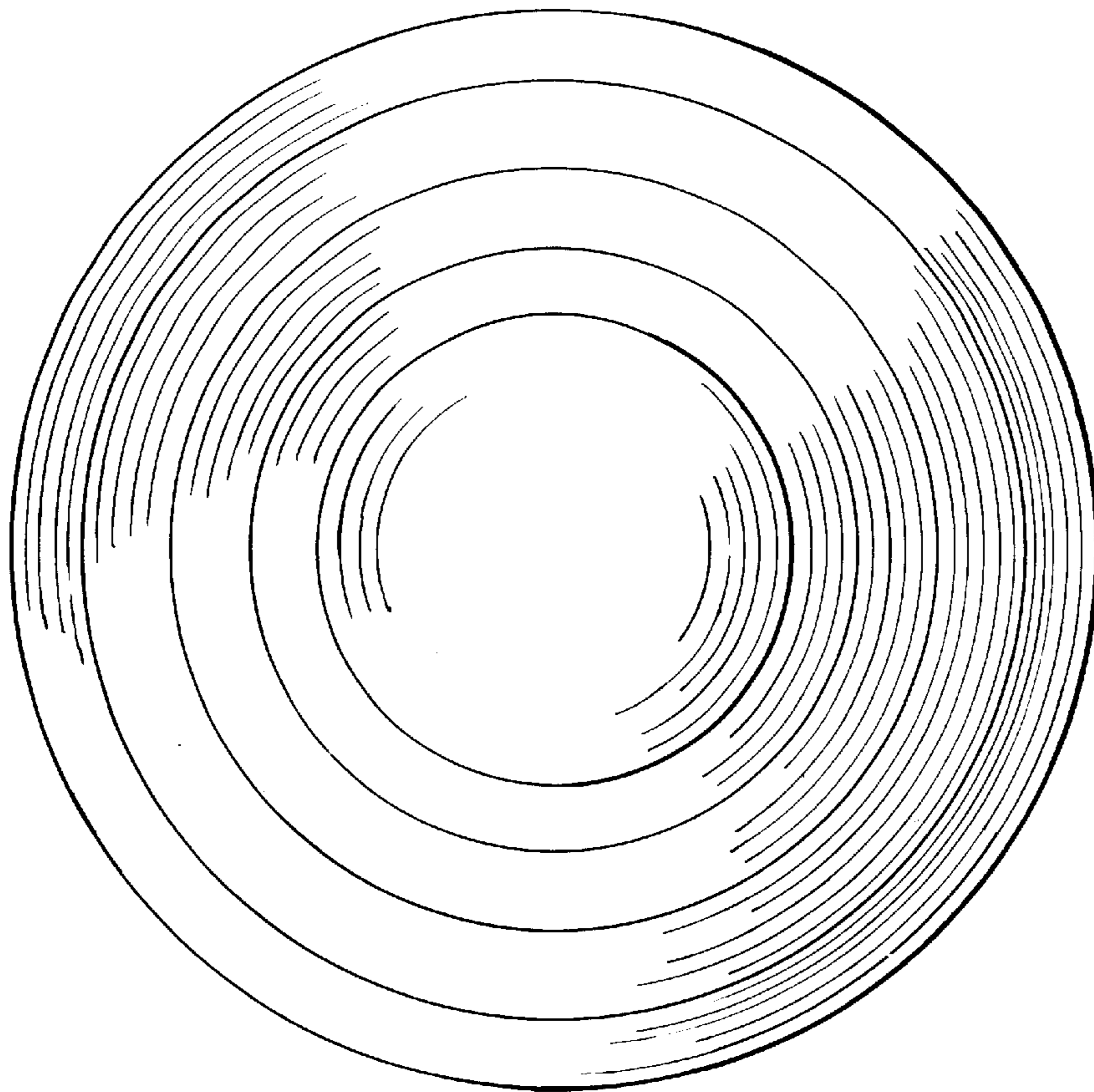


FIG. 2