



US00D442314S

(12) **United States Design Patent**
Schaefer et al.

(10) **Patent No.:** **US D442,314 S**

(45) **Date of Patent:** **** May 15, 2001**

(54) **LIGHTING FIXTURE**

(75) Inventors: **Douglas S. Schaefer**, Port Washington;
Andrew W. Shabica, Mequon; **Glen**
Gorsiski, Racine, all of WI (US)

(73) Assignee: **Visa Lighting Corporation**,
Milwaukee, WI (US)

(**) Term: **14 Years**

(21) Appl. No.: **29/125,784**

(22) Filed: **Jun. 28, 2000**

(51) **LOC (7) Cl.** **26-05**

(52) **U.S. Cl.** **D26/85**

(58) **Field of Search** D26/72, 80-92;
362/147, 404-408

(56) **References Cited**

PUBLICATIONS

Litecontrol lighting ad, Mar. 1992.*
Home Decorators Collection, summer 1997, p. 51.*
U.S. application No. 29/125,783, Schaefer et al., filed Jun.
28, 2000.

U.S. application No. 29/125,785, Schaefer et al., filed Jun.
28, 2000.

U.S. application No. 29/125,786, Schaefer et al., filed Jun.
28, 2000.

Design with Lighting catalog, Dec. 1993, p. 19, chandelier,
top.*

Litecontrol Circa lighting fixture, front cover, Mar. 1992.*

* cited by examiner

Primary Examiner—Susan J. Lucas

(74) *Attorney, Agent, or Firm*—Welsh & Katz, Ltd.

(57) **CLAIM**

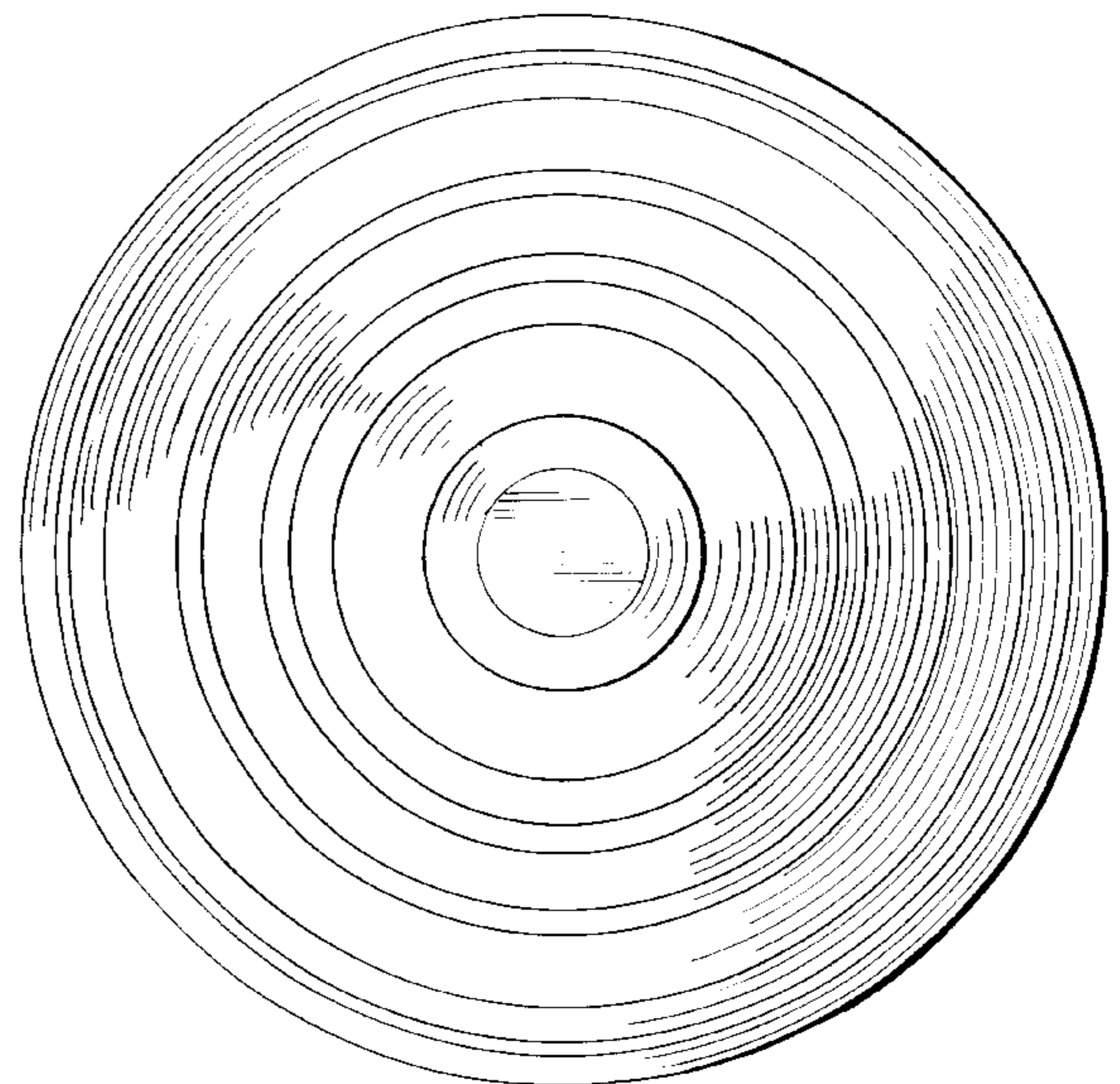
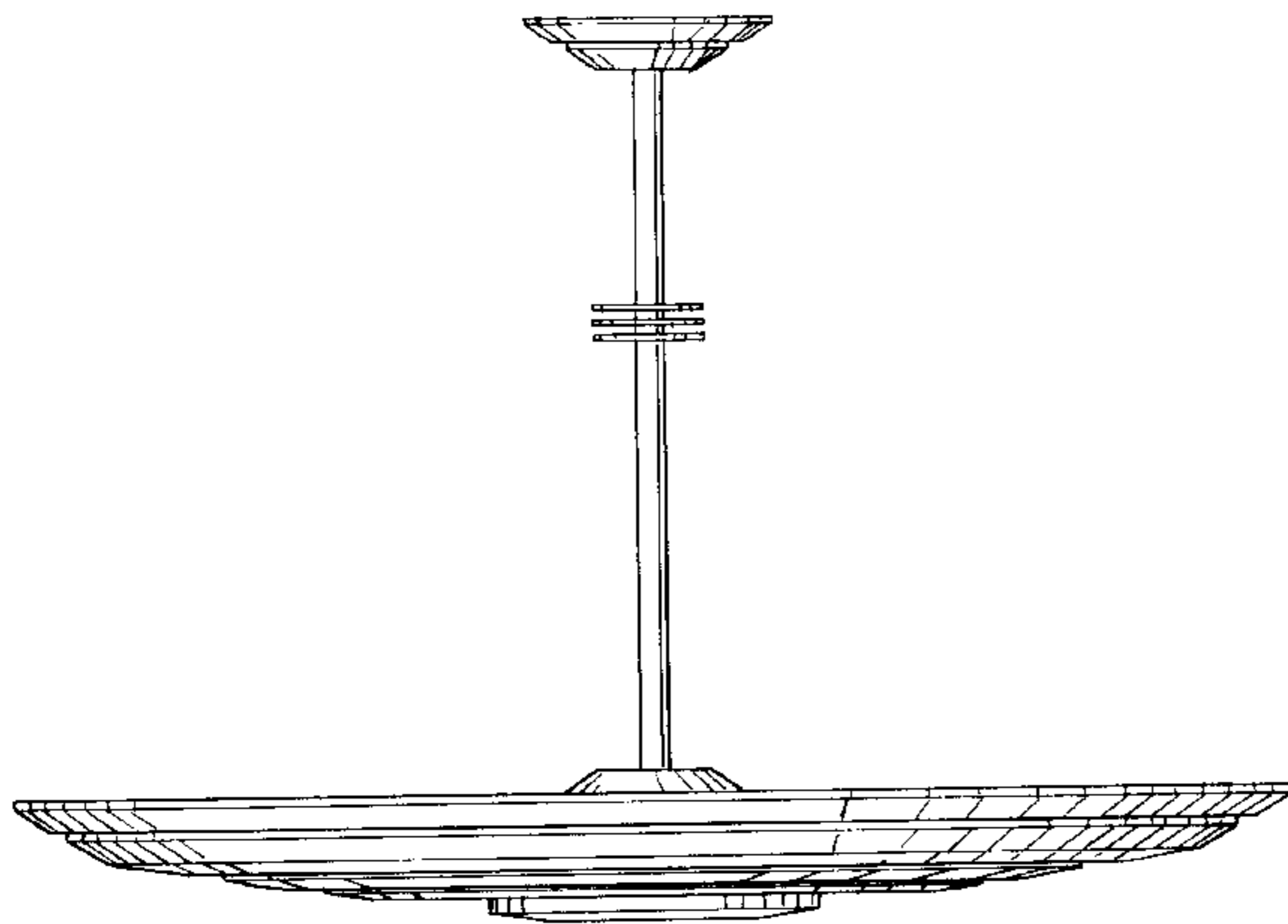
The ornamental design for a lighting fixture, as shown and
described.

DESCRIPTION

FIG. 1 is a side view of a lighting fixture of the claimed
design; and,

FIG. 2 is a bottom view of the lighting fixture of FIG. 1.

1 Claim, 1 Drawing Sheet



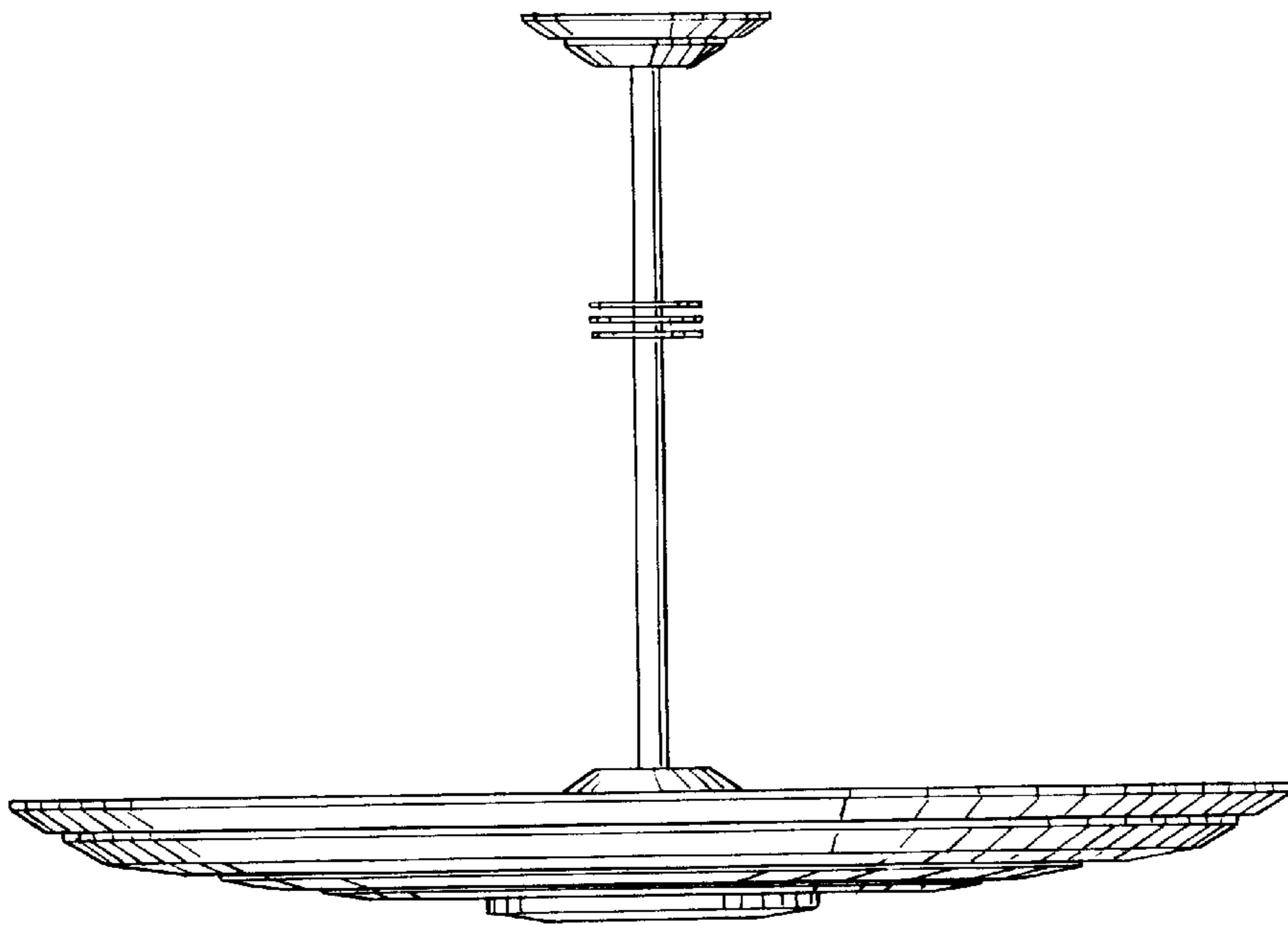


FIG. 1

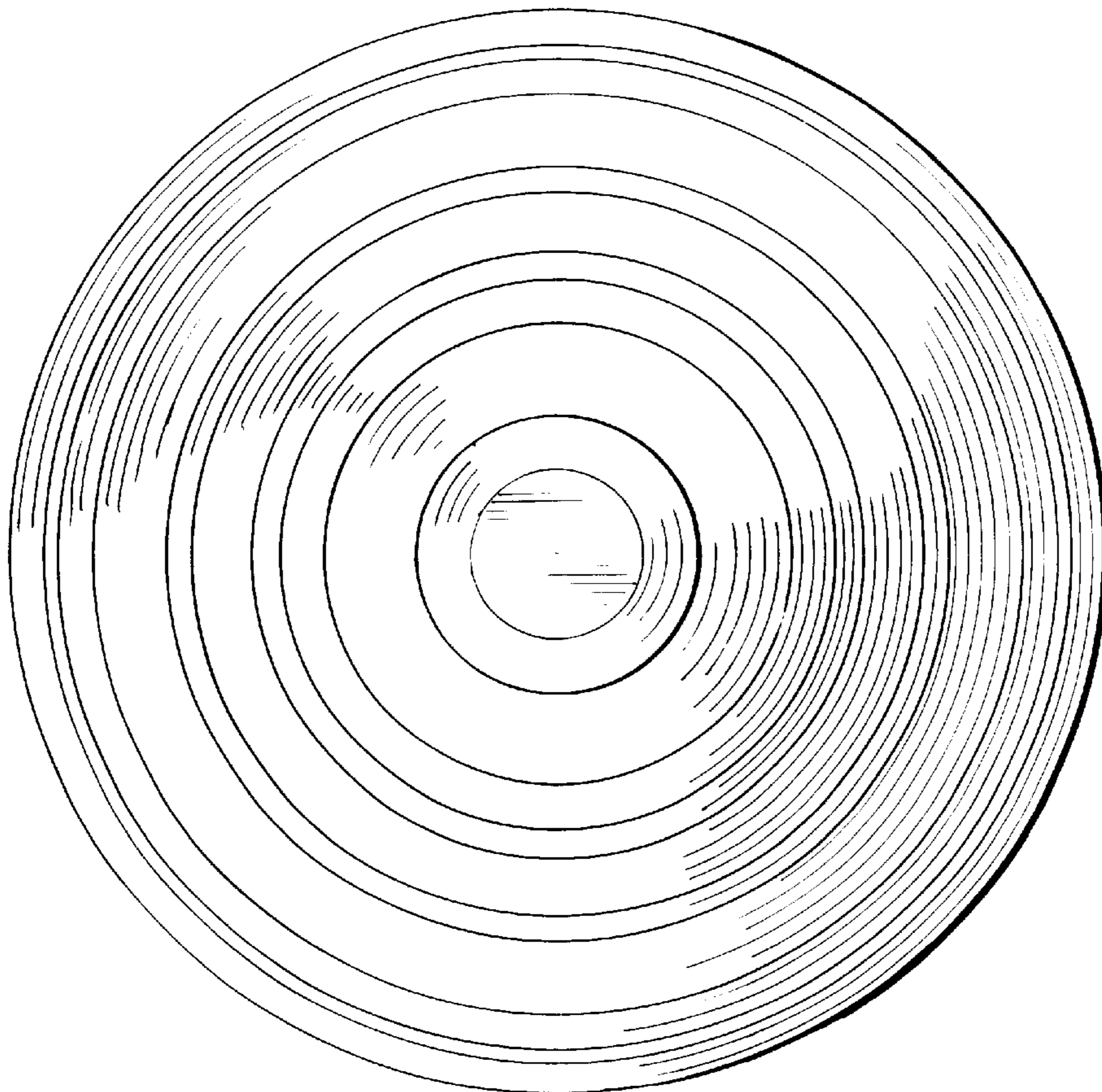


FIG. 2