



US00D442313S

(12) **United States Design Patent**
Wojtkowiak et al.

(10) **Patent No.:** **US D442,313 S**

(45) **Date of Patent:** **** May 15, 2001**

(54) **LIGHT FIXTURE**

D. 358,902 * 5/1995 Webster D26/87

(75) Inventors: **Jesse D. Wojtkowiak**, Littlestown; **Eric O. M. Haddad**, East Berlin, both of PA (US)

OTHER PUBLICATIONS

General Electric outdoor lighting catalog, Apr. 1965, back cover lamp support arm.*

(73) Assignee: **Genlyte Thomas Group LLC**, Louisville, KY (US)

* cited by examiner

(**) Term: **14 Years**

Primary Examiner—Susan J. Lucas

(74) *Attorney, Agent, or Firm*—Middleton Reutlinger; James R. Higgins, Jr.

(21) Appl. No.: **29/101,334**

(57) **CLAIM**

(22) Filed: **Mar. 1, 1999**

The ornamental design for a light fixture, as shown and described herein.

(51) **LOC (7) Cl.** **26-05**

(52) **U.S. Cl.** **D26/71; D26/87**

(58) **Field of Search** D26/87, 92, 67, D26/68, 71, 155; 362/432, 431

DESCRIPTION

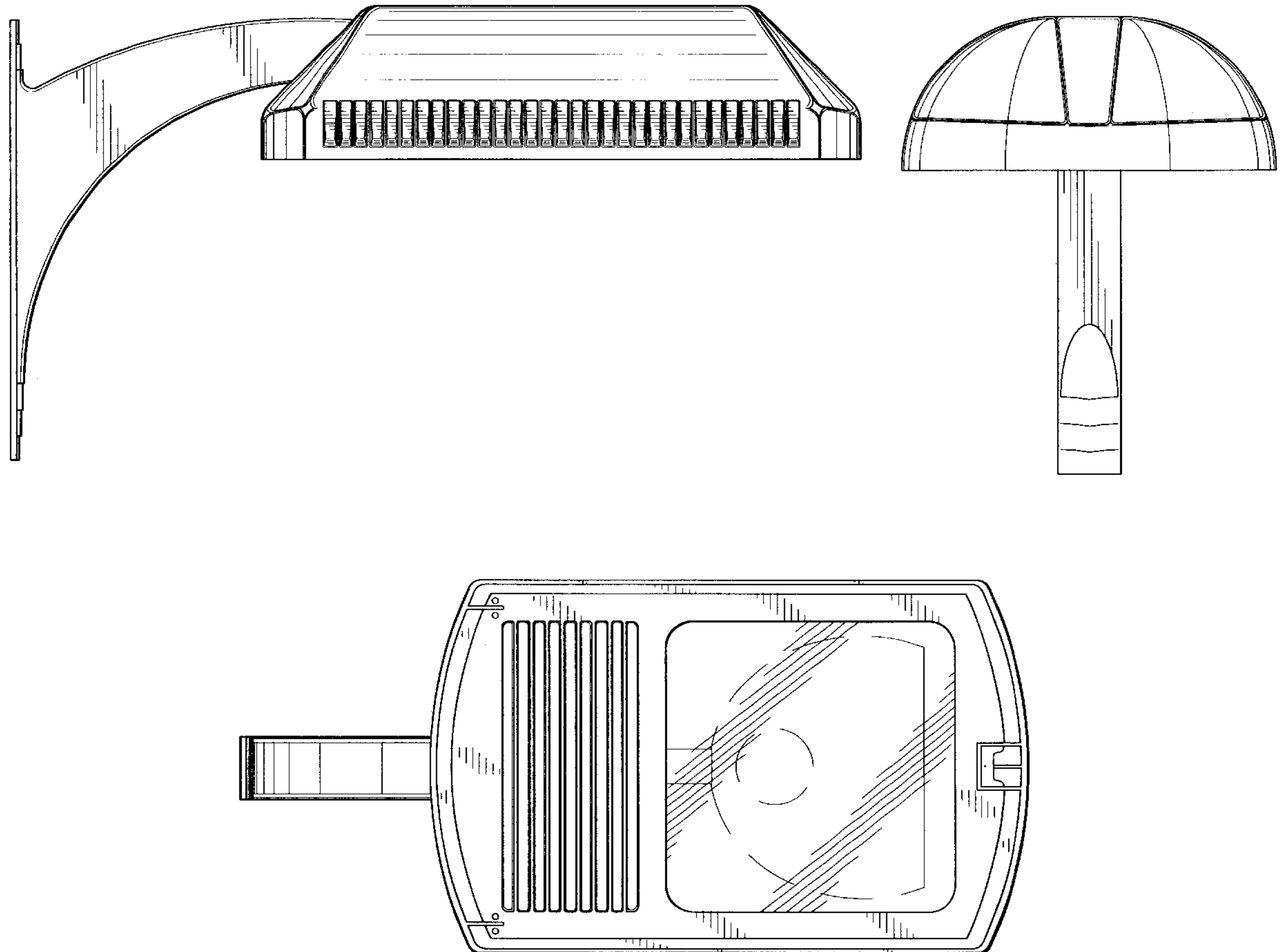
(56) **References Cited**

U.S. PATENT DOCUMENTS

- D. 202,212 * 9/1965 Izzi D26/71
- D. 323,897 * 2/1992 Compton D26/71
- D. 348,531 * 7/1994 Mehaffey D26/71

FIG. 1 is a side view of a light fixture according to a preferred embodiment of the present invention; FIG. 2 is a front view of the light fixture of FIG. 1; FIG. 3 is a rear view of the light fixture of FIG. 1; FIG. 4 is a top view of the light fixture of FIG. 1; and, FIG. 5 is a bottom view of the light fixture of FIG. 1.

1 Claim, 3 Drawing Sheets



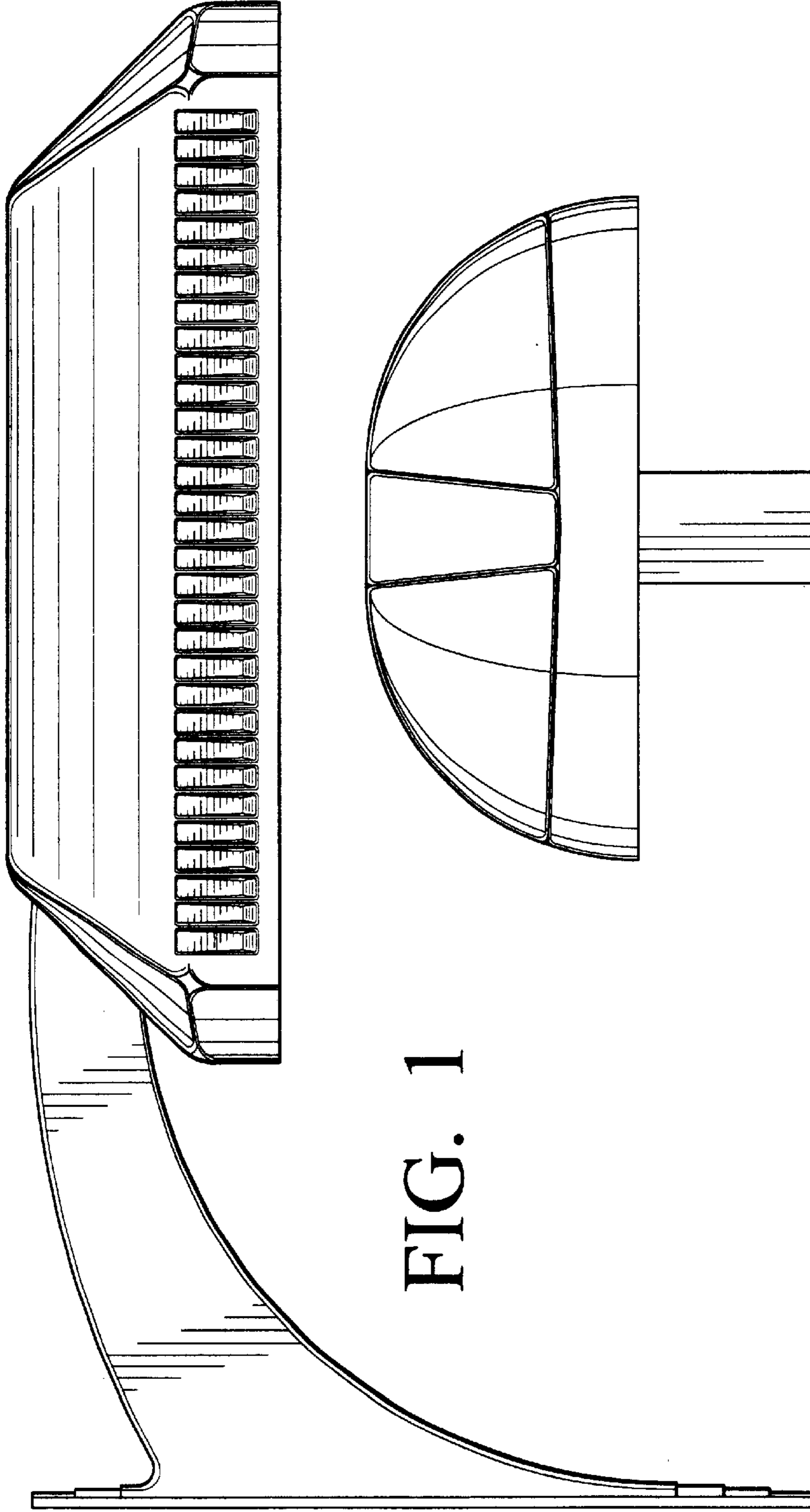


FIG. 1

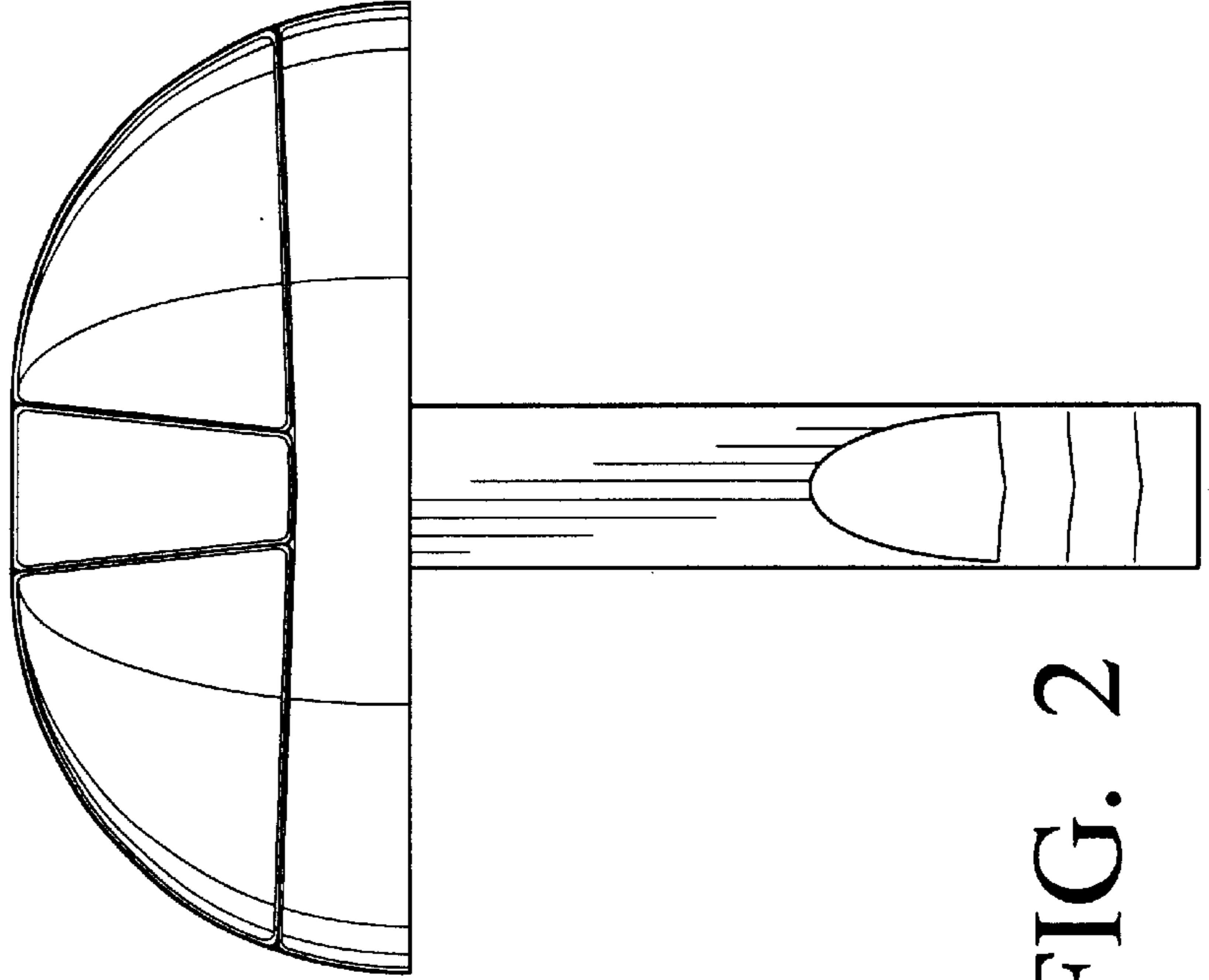


FIG. 2

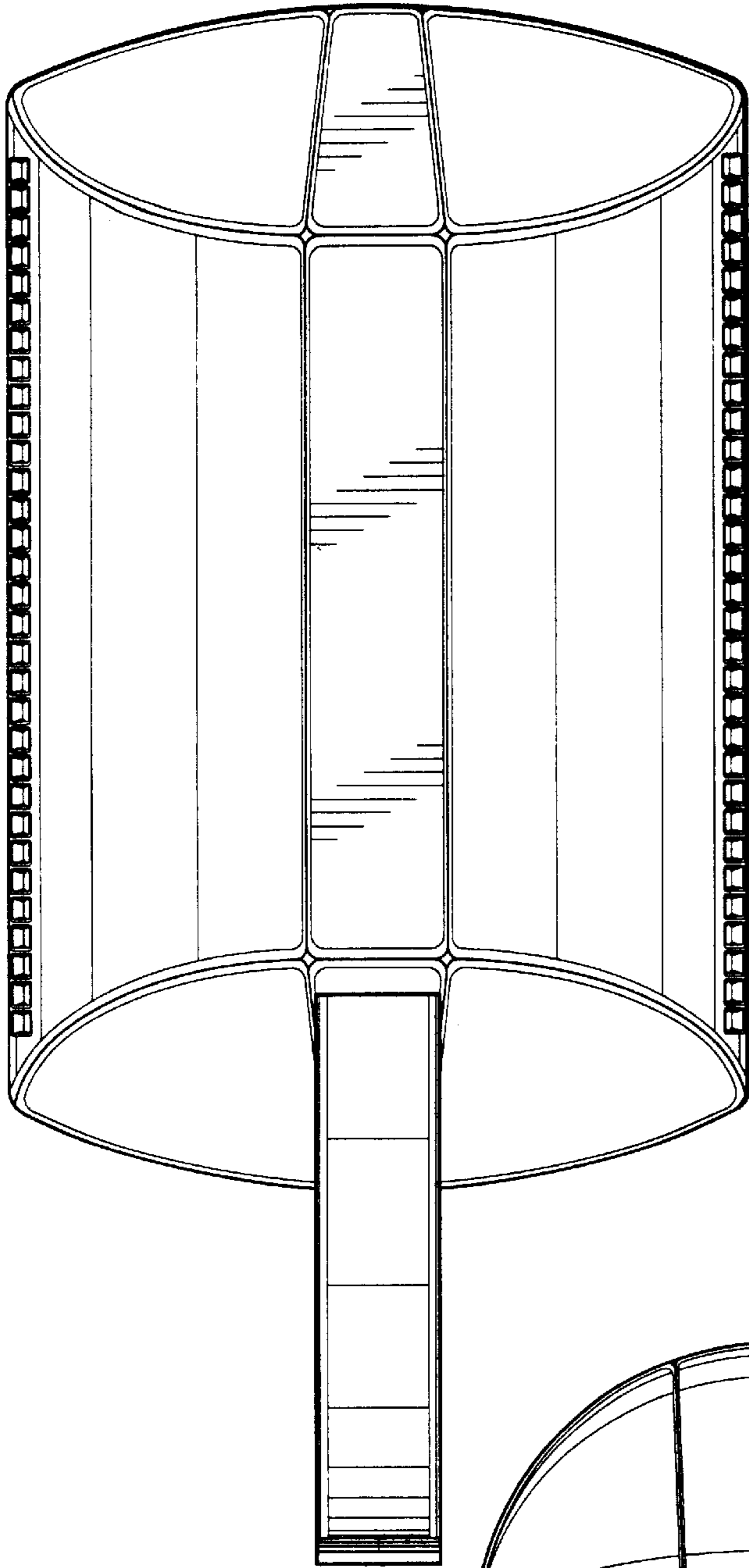


FIG. 4

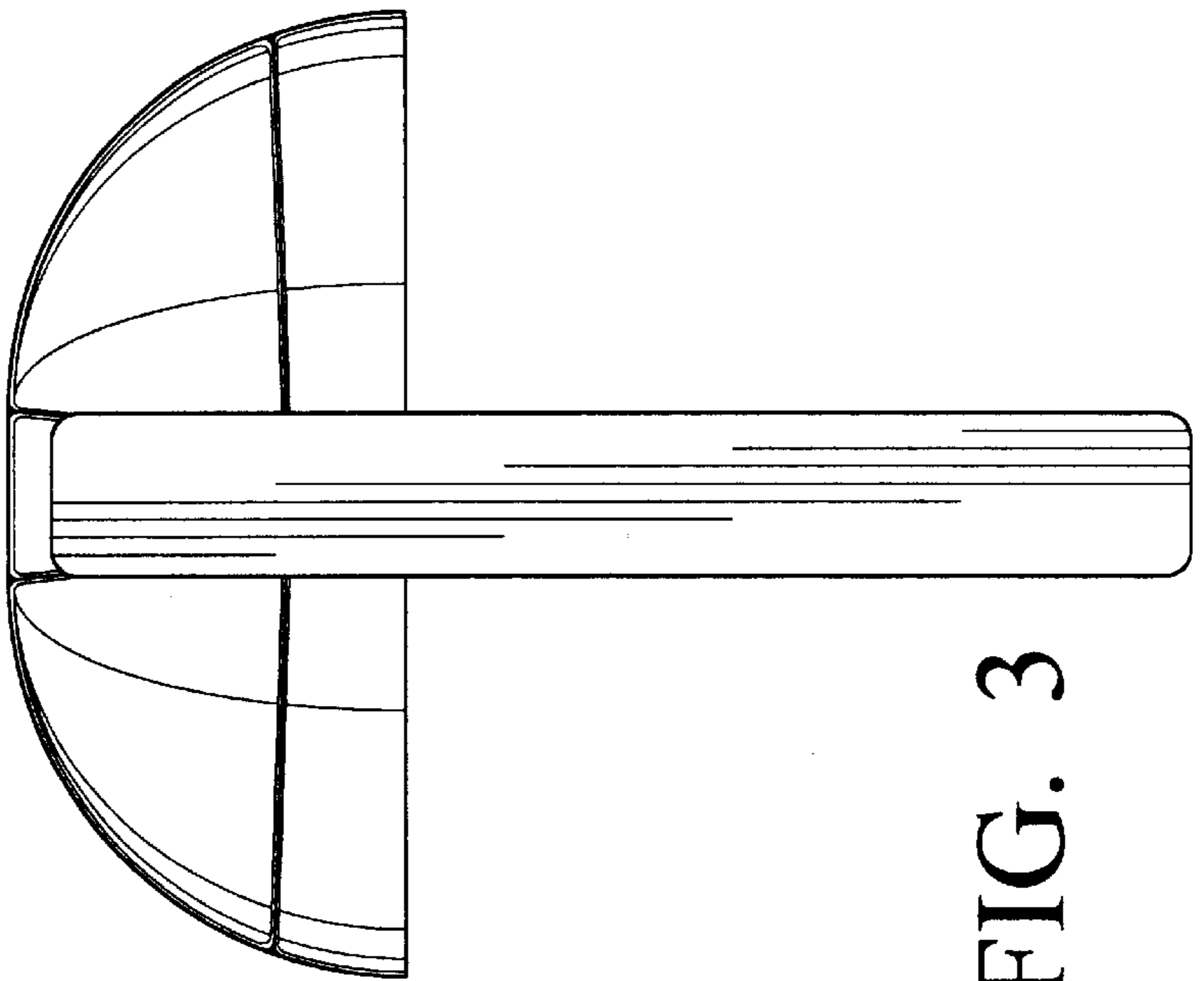


FIG. 3

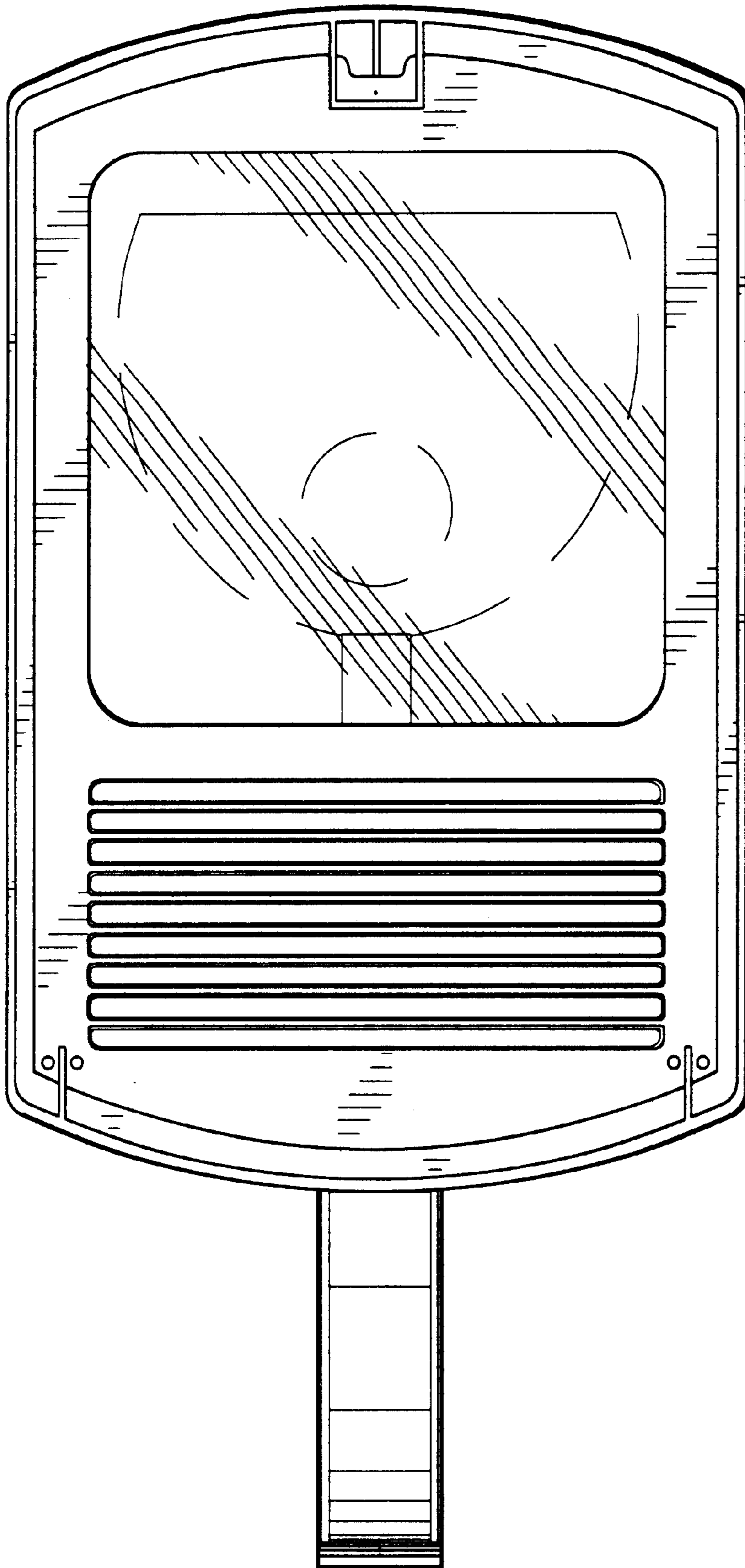


FIG. 5