



US00D442311S

(12) **United States Design Patent**  
**Kao et al.**

(10) **Patent No.:** **US D442,311 S**

(45) **Date of Patent:** **\*\* May 15, 2001**

(54) **LIGHTING FIXTURE**

\* cited by examiner

(76) Inventors: **Yu-Tai Kao; Yu-Hsin Kao**, both of 5F,  
No. 680, Jen-Ai Street, Sanchung City,  
Taipei Hsien (TW)

*Primary Examiner*—Susan J. Lucas

(\*\*) Term: **14 Years**

(57) **CLAIM**

(21) Appl. No.: **29/126,324**

The ornamental design for: lighting fixture, as shown and described.

(22) Filed: **Jul. 13, 2000**

(51) **LOC (7) Cl.** ..... **26-05**

(52) **U.S. Cl.** ..... **D26/65**

(58) **Field of Search** ..... D26/60–66; 362/269,  
362/275, 277, 278, 281, 283, 285, 427,  
428, 430, 413, 401, 402

**DESCRIPTION**

(56) **References Cited**

**U.S. PATENT DOCUMENTS**

- D. 417,924 \* 12/1999 Chen ..... D26/65
- D. 430,686 \* 9/2000 Gismondi ..... D26/63
- 5,333,103 \* 7/1994 Cvek ..... 362/413

FIG. 1 is a perspective view of a lighting fixture showing my new design;

FIG. 2 is a front elevational view;

FIG. 3 is a rear elevational view;

FIG. 4 is a left side elevational view;

FIG. 5 is a right side elevational view;

FIG. 6 is a top plan view; and,

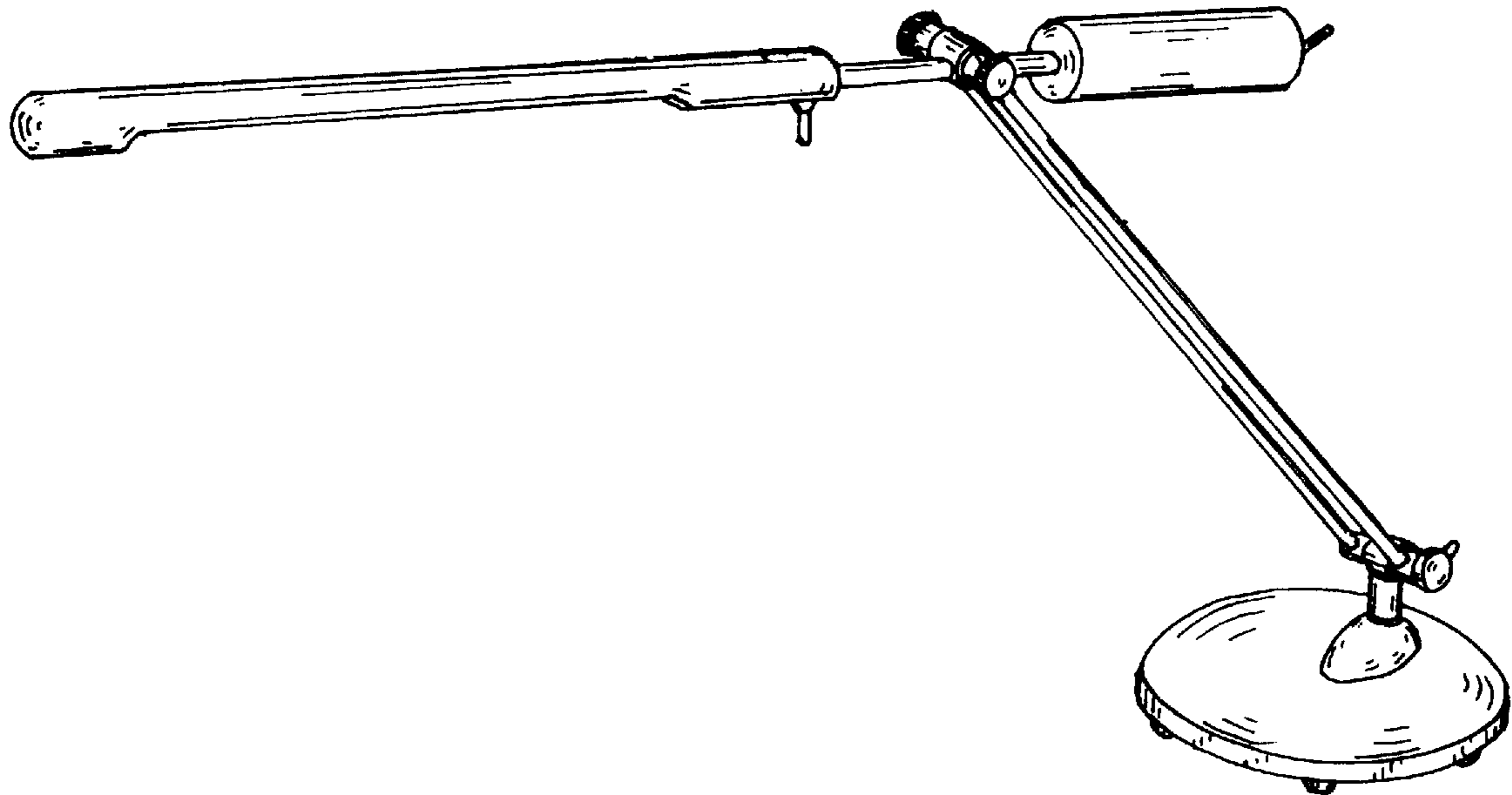
FIG. 7 is a bottom plan view.

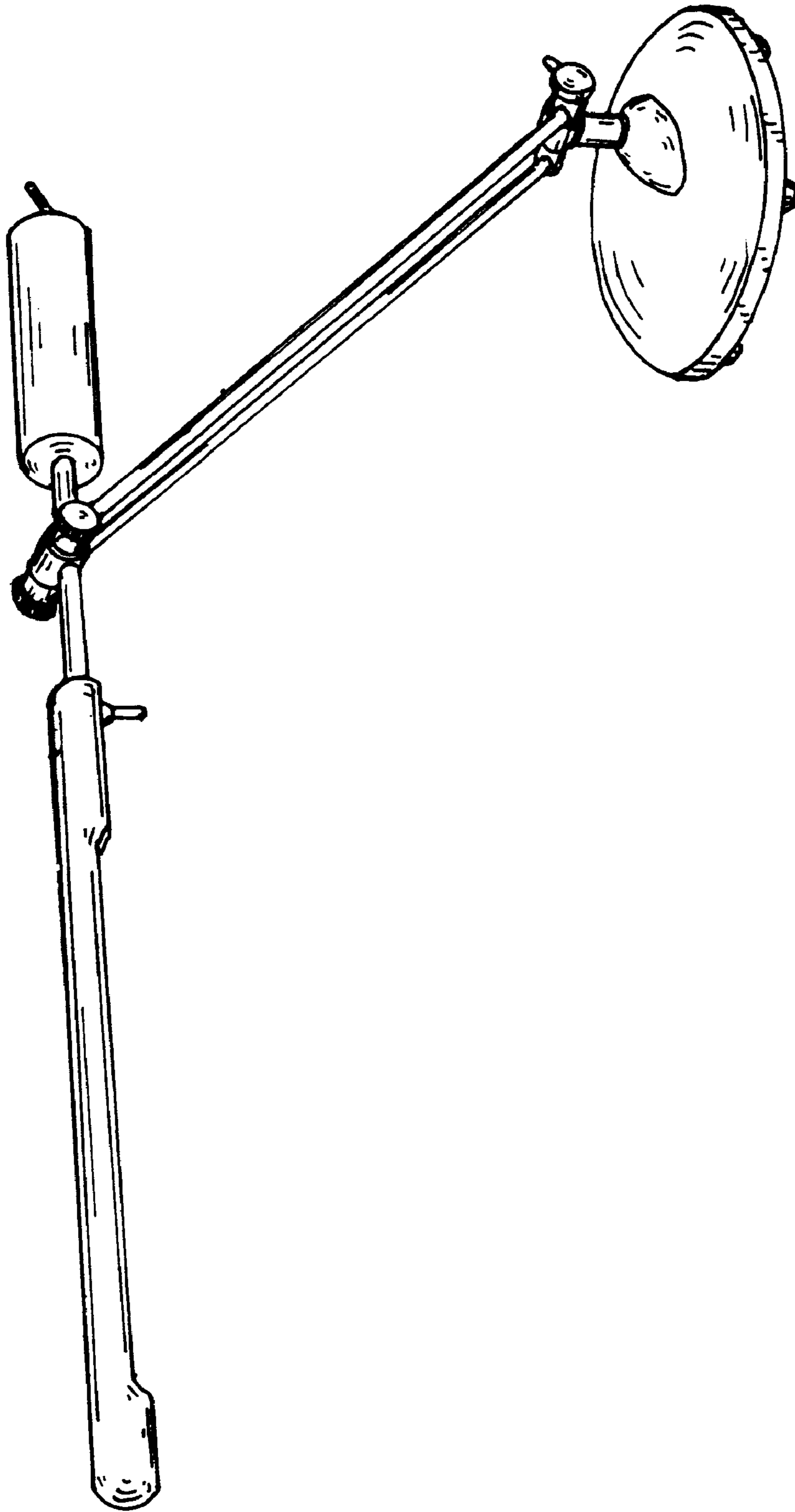
**OTHER PUBLICATIONS**

CLS lighting brochure, front page, Mar. 1998, fixture #TM-524-T.\*

Hong Kong Enterprise, Jun. 1994, p. 395, desk lamp #PL9W #323.\*

**1 Claim, 7 Drawing Sheets**





*Fig. 1*

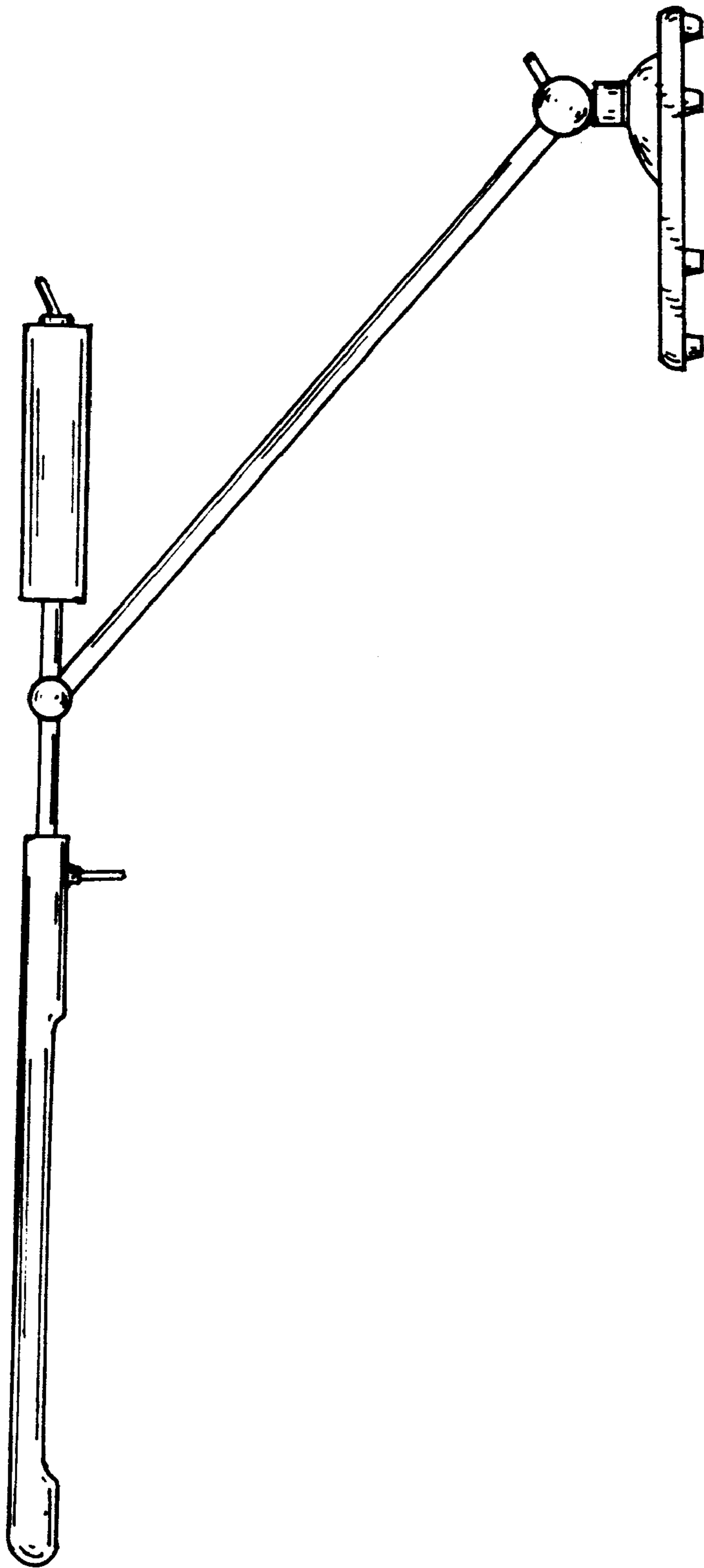


Fig. 2

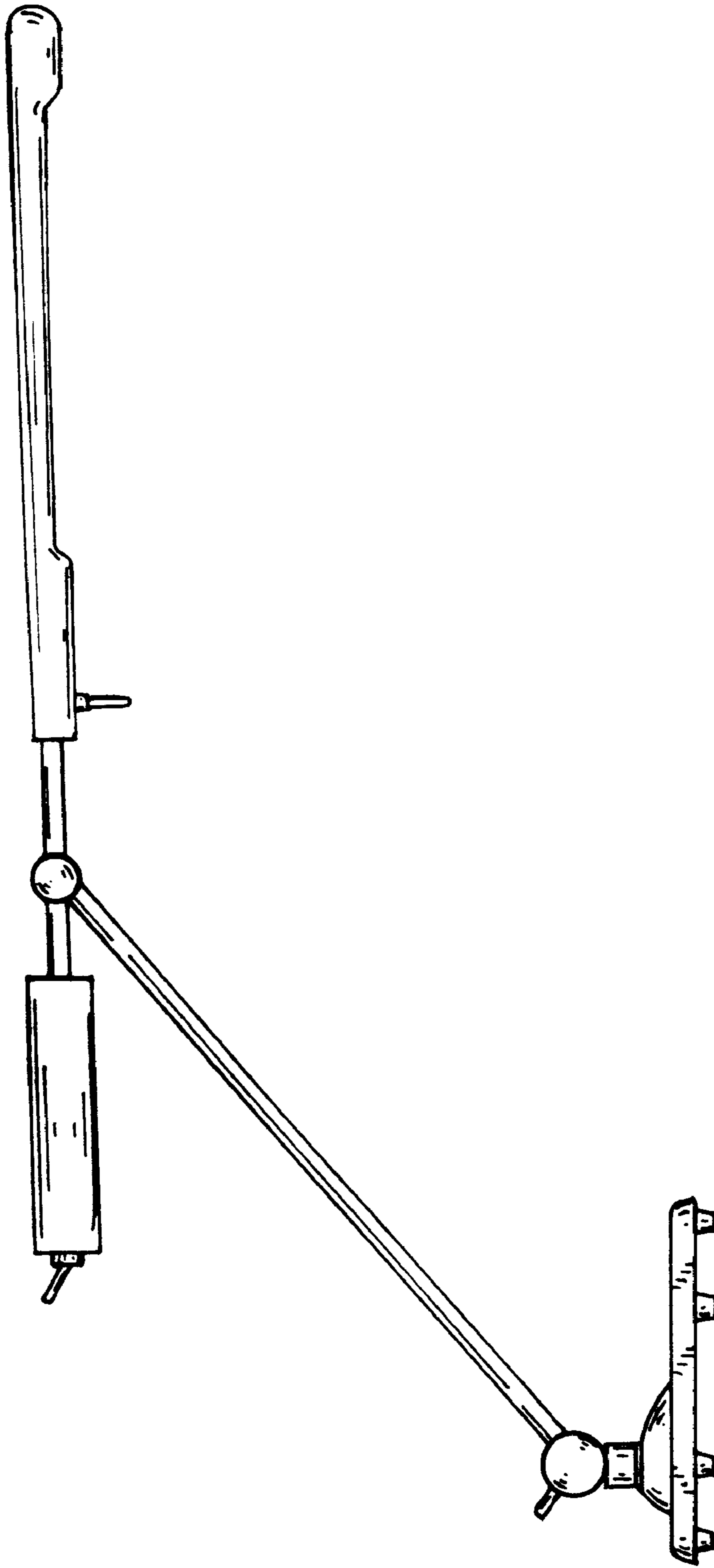
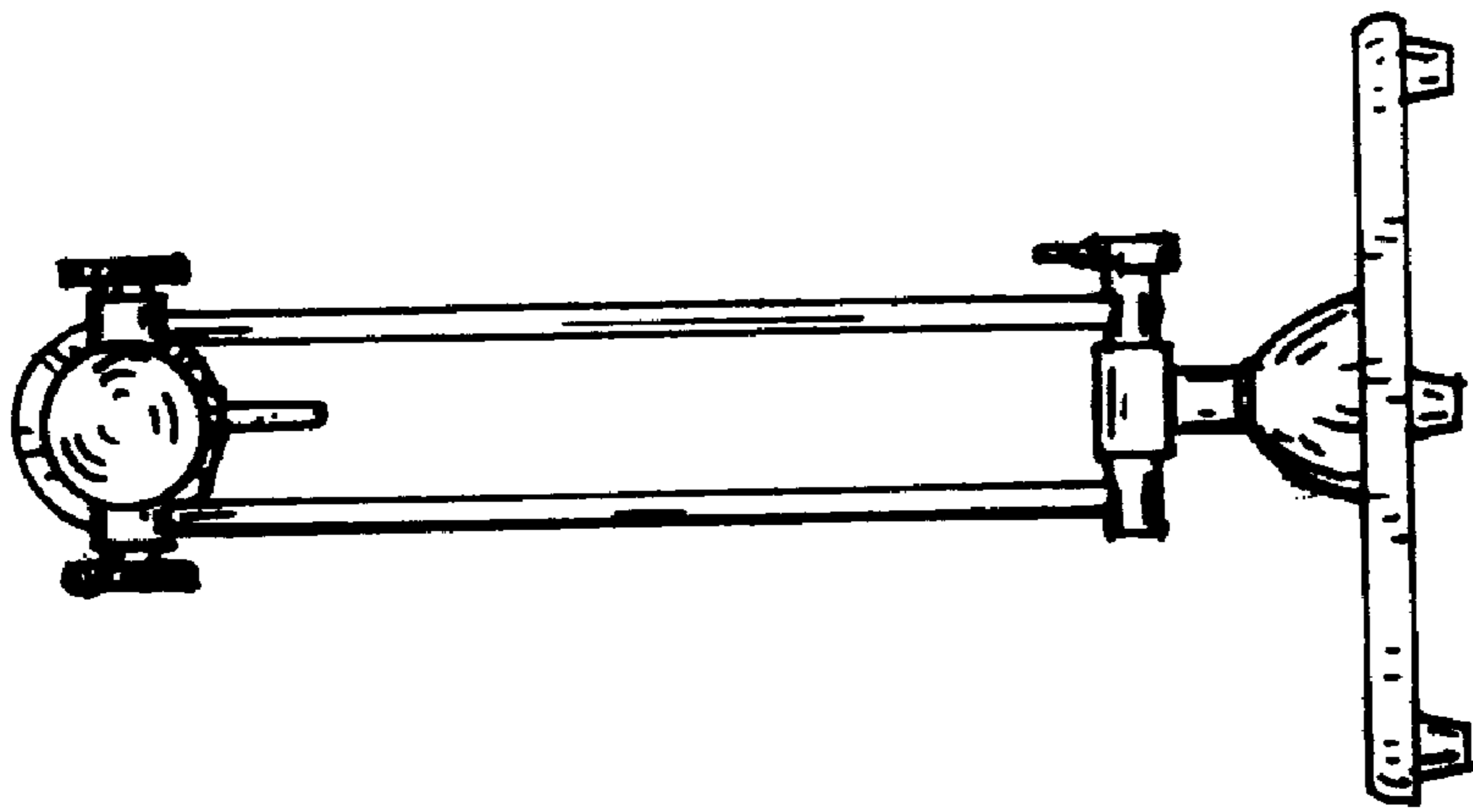
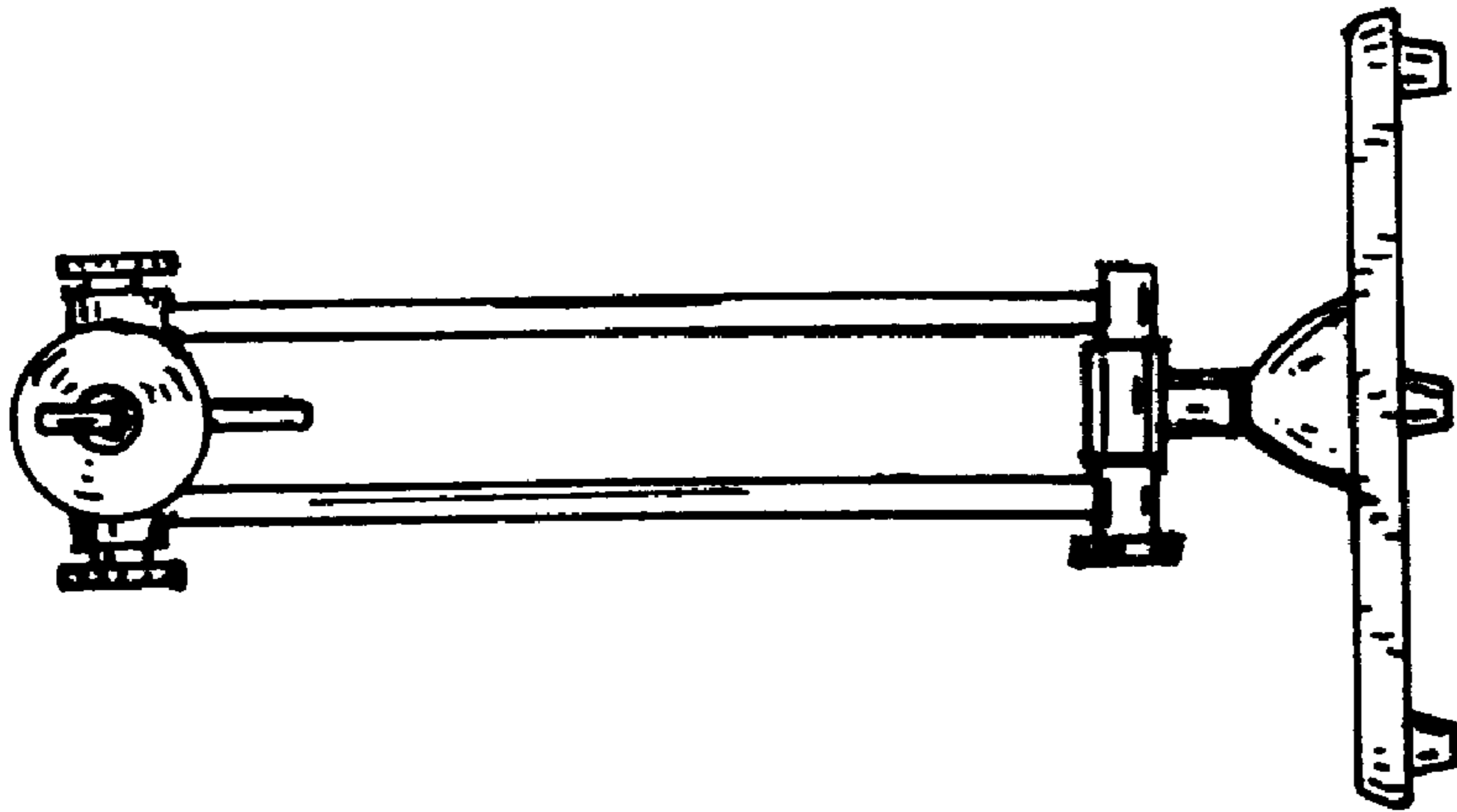


Fig. 3



*Fig. 4*



*Fig. 5*

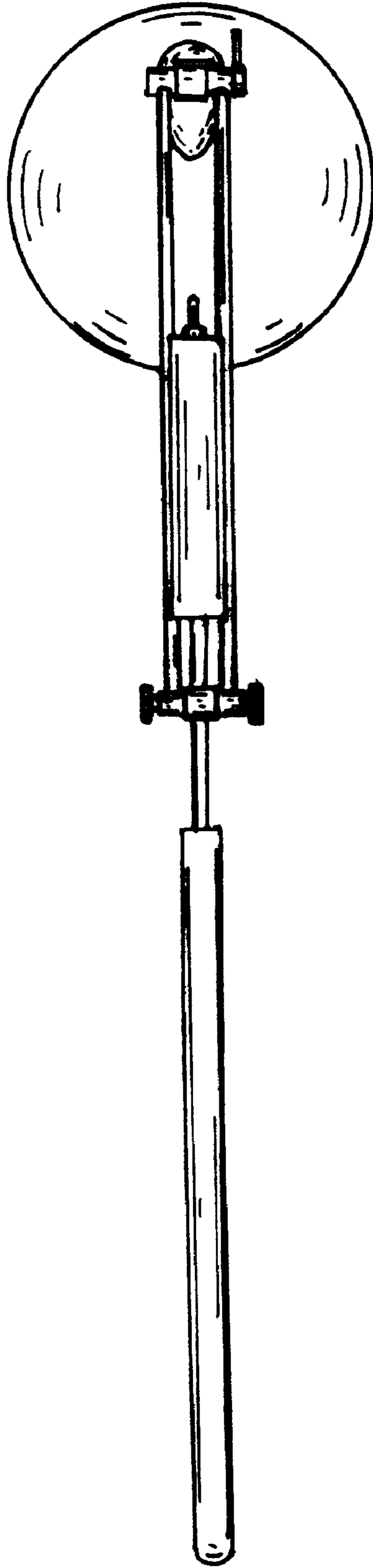


Fig. 6

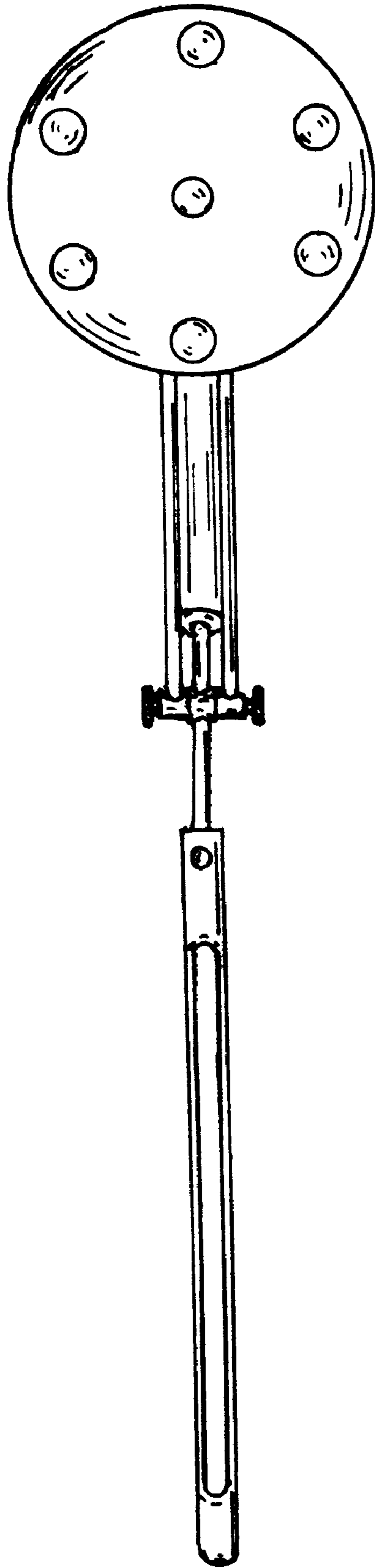


Fig. 7