



US00D442309S

(12) **United States Design Patent**  
**Miller et al.**

(10) **Patent No.:** **US D442,309 S**

(45) **Date of Patent:** **\*\* May 15, 2001**

(54) **MOUNT FOR TRACK LIGHTING FIXTURE**

(75) Inventors: **Steven Miller**, San Diego, CA (US);  
**Allan Kwong**, Shatin (HK)

(73) Assignee: **Regal King Manufacturing Limited**,  
Kowloon Bay (HK)

(\*\*) Term: **14 Years**

(21) Appl. No.: **29/127,044**

(22) Filed: **Jul. 27, 2000**

(51) **LOC (7) Cl.** ..... **26-05**

(52) **U.S. Cl.** ..... **D26/63**

(58) **Field of Search** ..... D26/61-66; 362/418,  
362/419, 427, 269, 271, 272, 276, 277,  
278, 279; D13/139.2

(56) **References Cited**

**U.S. PATENT DOCUMENTS**

D. 402,384 \* 12/1998 Chen ..... D26/63

**OTHER PUBLICATIONS**

“Power-Trac” brochure, Halo Lighting, 400 Busse Road,  
Elk Grove, IL 60007; pp. cover, 48, 9, 10, 12 (undated).

“New Decade” brochure, Con-Tech Lighting, 130 N.  
Waukegan Road, Deerfield, Il 60015 (undated).

“Start With The Lamp . . .” brochure, Con-Tech Lighting,  
130 N. Waukegan Road, Deerfield, Il 60015 (1988).

“Power-Trac” catalog, Halo Lighting, 400 Busse Road, Elk  
Grove, IL 60007; pp. cover, 2-4, 14-21, 24,30,36,, 37, 40,  
44, 52, 56-58, 70, back cover; Apr. 1990.

“Trac-Master” catalog, Juno Lighting, 1300 S. Wolf Road,  
Des Plaines, IL 60017, pp. cover, 3, 5-7,9-11, 15, 17,  
19-23,29, 31, 33, 37, 38, 40, 43, 46, 51, 52, 55 - 57, 61, 62,  
65 - 67, 97, back cover (1997).

\* cited by examiner

*Primary Examiner*—Susan J. Lucas

(74) *Attorney, Agent, or Firm*—Baker, Donelson, Bearman  
& Caldwell

(57) **CLAIM**

The ornamental design for a mount for track lighting fixture,  
as shown and described.

**DESCRIPTION**

FIG. 1 is a front elevational view of a mount for track  
lighting fixture showing my new design;

FIG. 2 is a back elevational view thereof;

FIG. 3 is a top plan view thereof;

FIG. 4 is a bottom plan view thereof;

FIG. 5 is a right side elevational view thereof;

FIG. 6 is a left side elevational view thereof;

FIG. 7 is a front view of a first alternate embodiment thereof;

FIG. 8 is a back elevational view thereof;

FIG. 9 is a top plan view thereof;

FIG. 10 is a bottom plan view thereof;

FIG. 11 is a right side elevational view thereof;

FIG. 12 is a left side elevational view thereof

FIG. 13 is a front view of a second alternate embodiment  
thereof;

FIG. 14 is a back elevational view thereof;

FIG. 15 is a top plan view thereof;

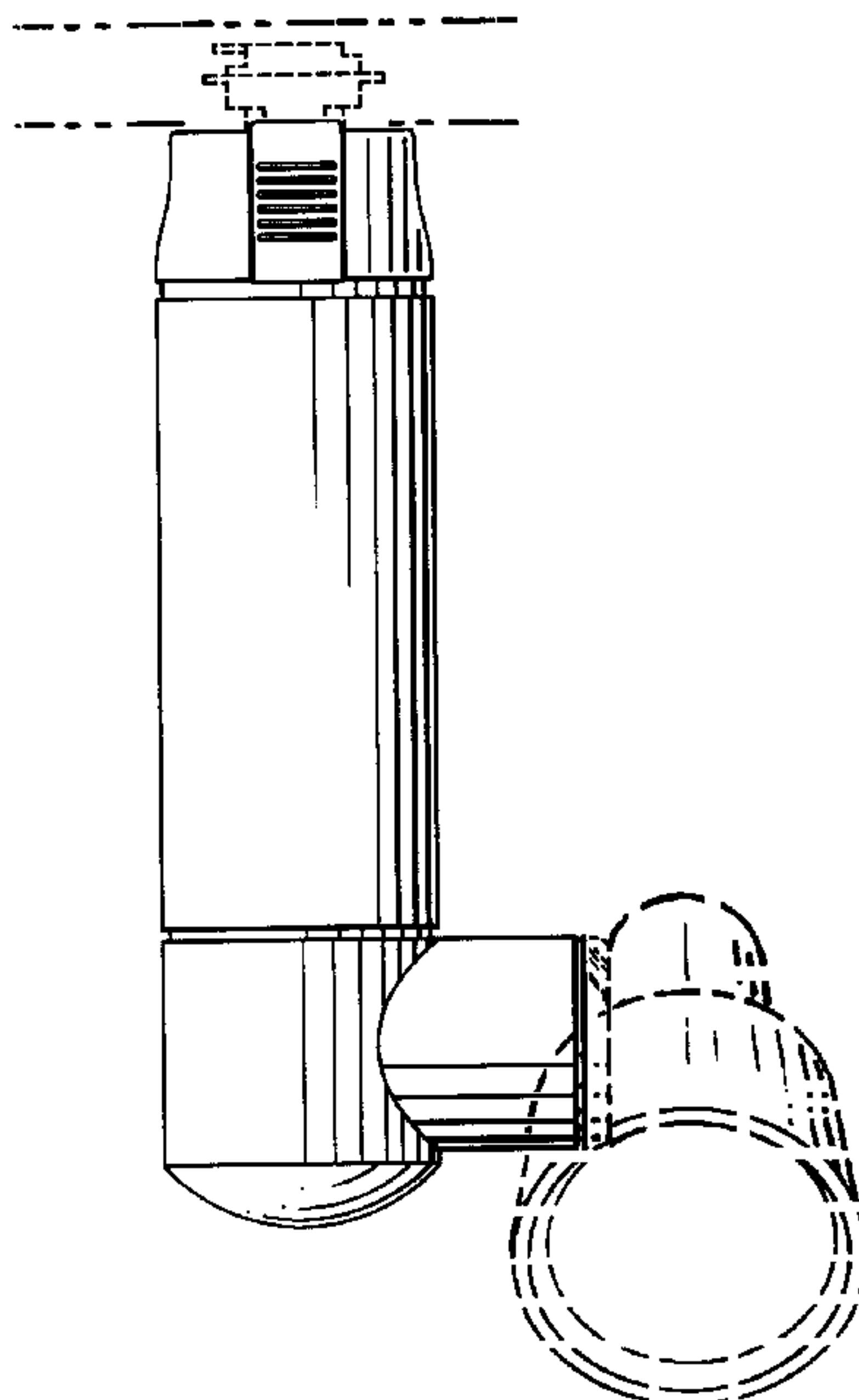
FIG. 16 is a bottom plan view thereof;

FIG. 17 is a right side elevational view thereof; and,

FIG. 18 is a left side elevational view thereof.

The broken line depictions in the figures of a fixture and  
track connector are for illustrative purposes only and form  
no part of the claimed design.

**1 Claim, 6 Drawing Sheets**



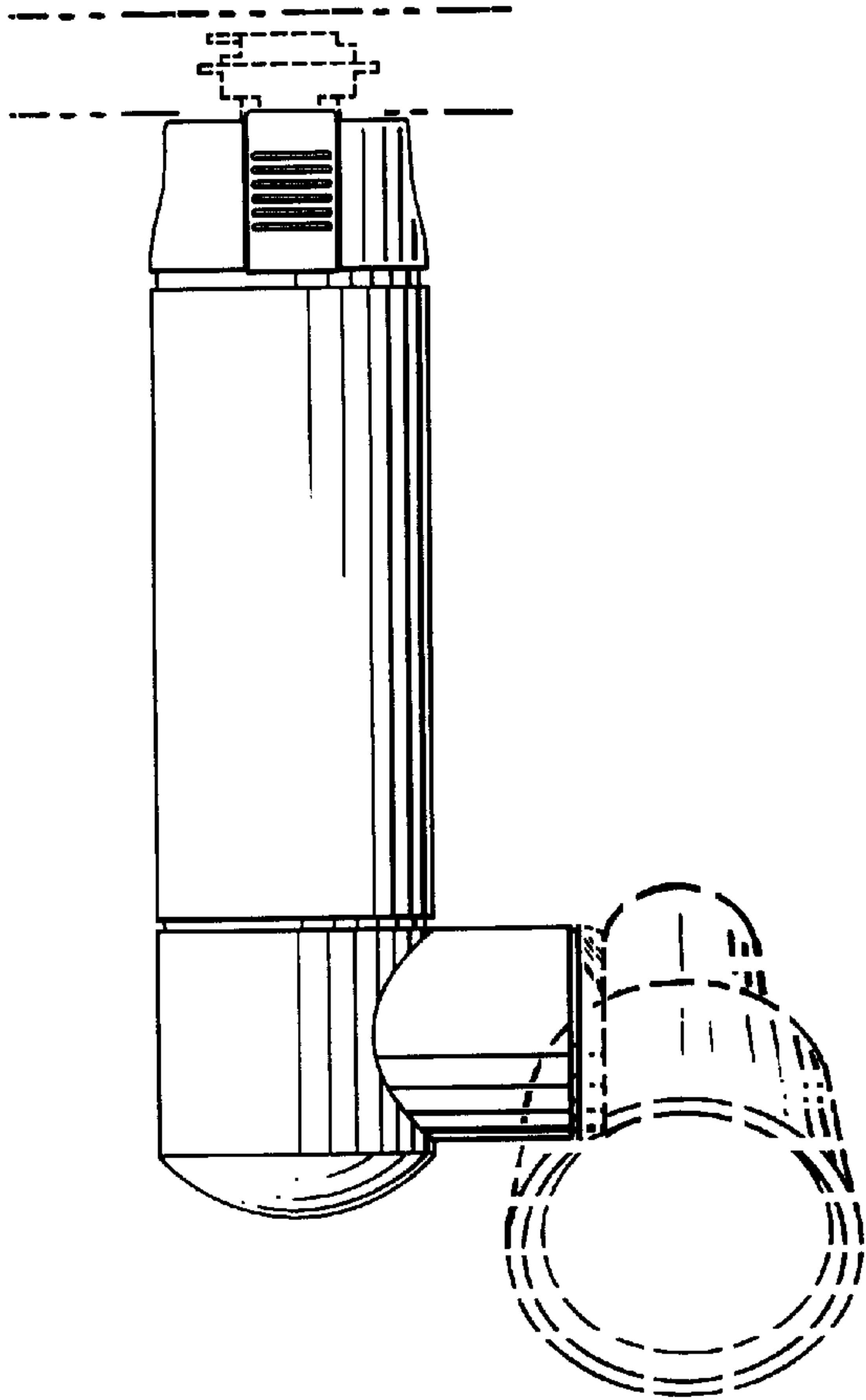


Fig. 1

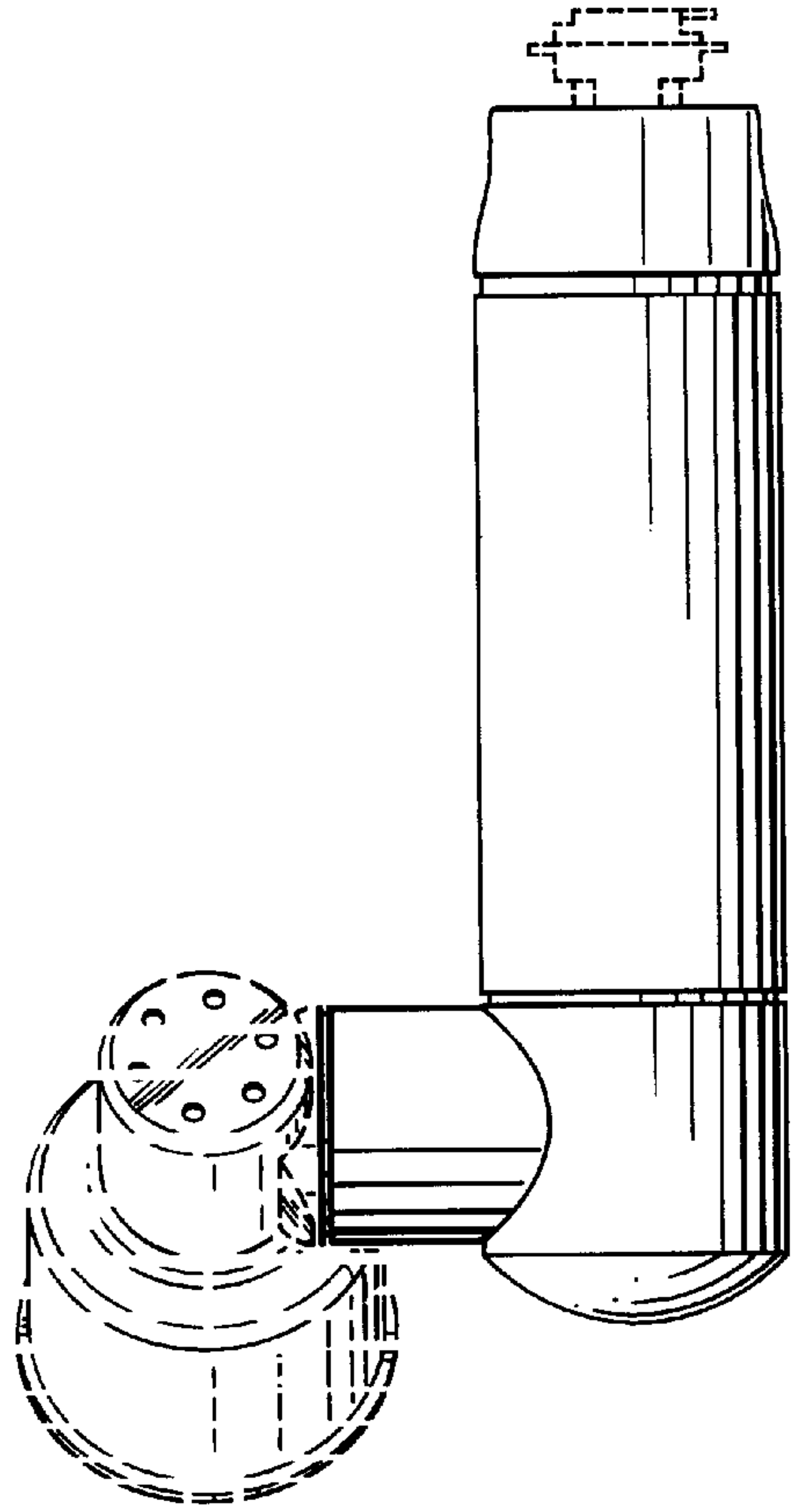


Fig. 2

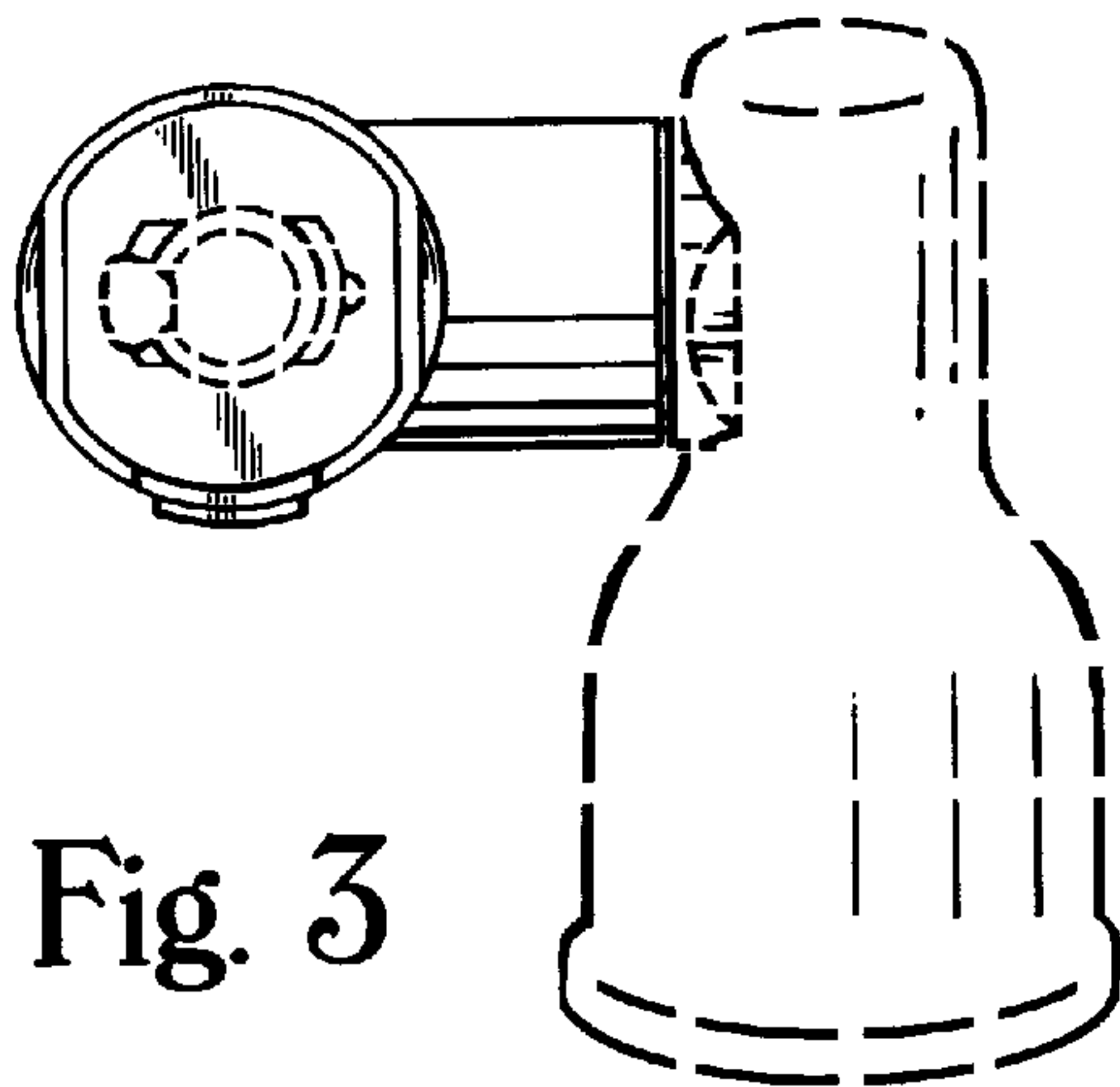


Fig. 3

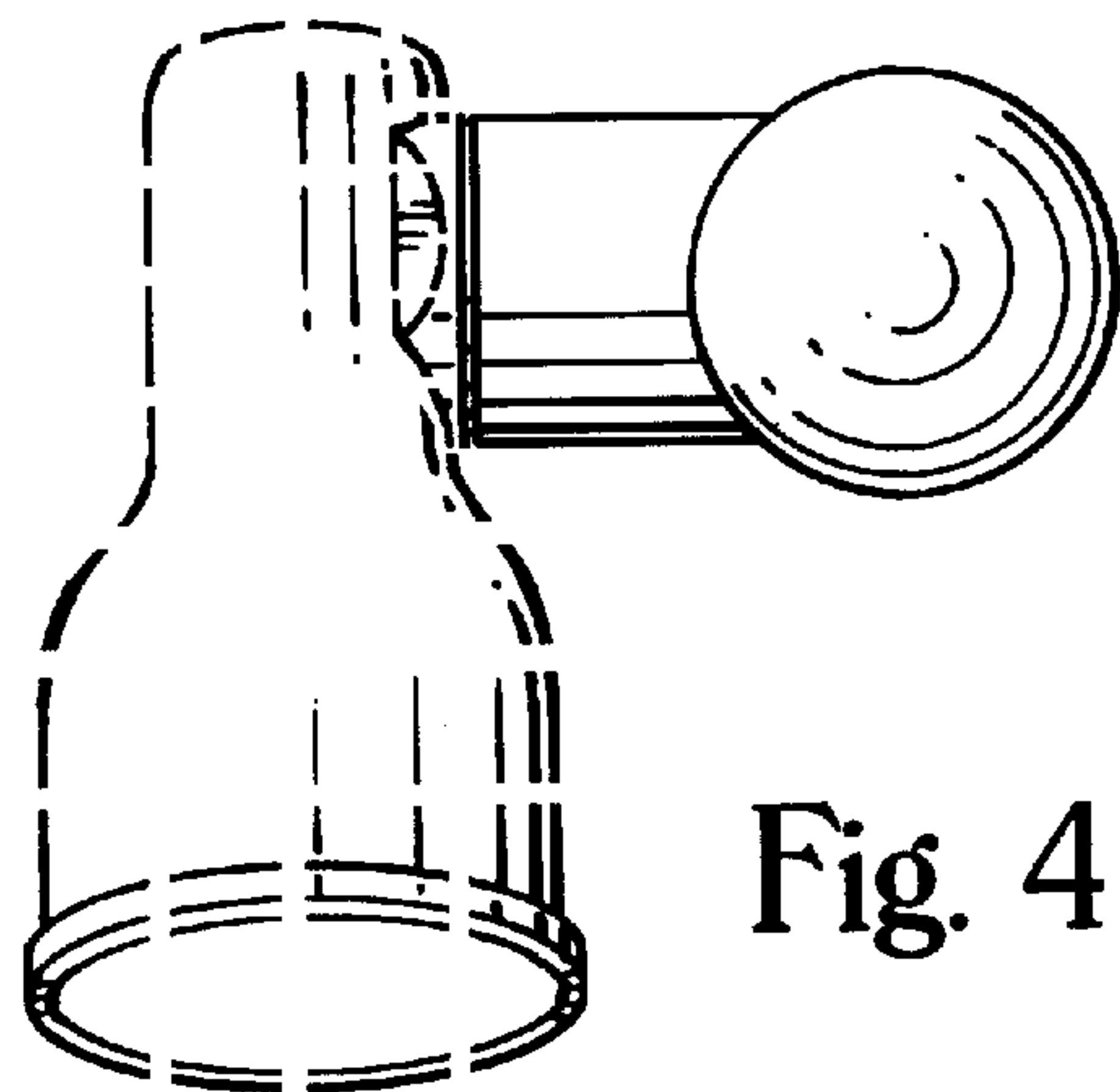


Fig. 4

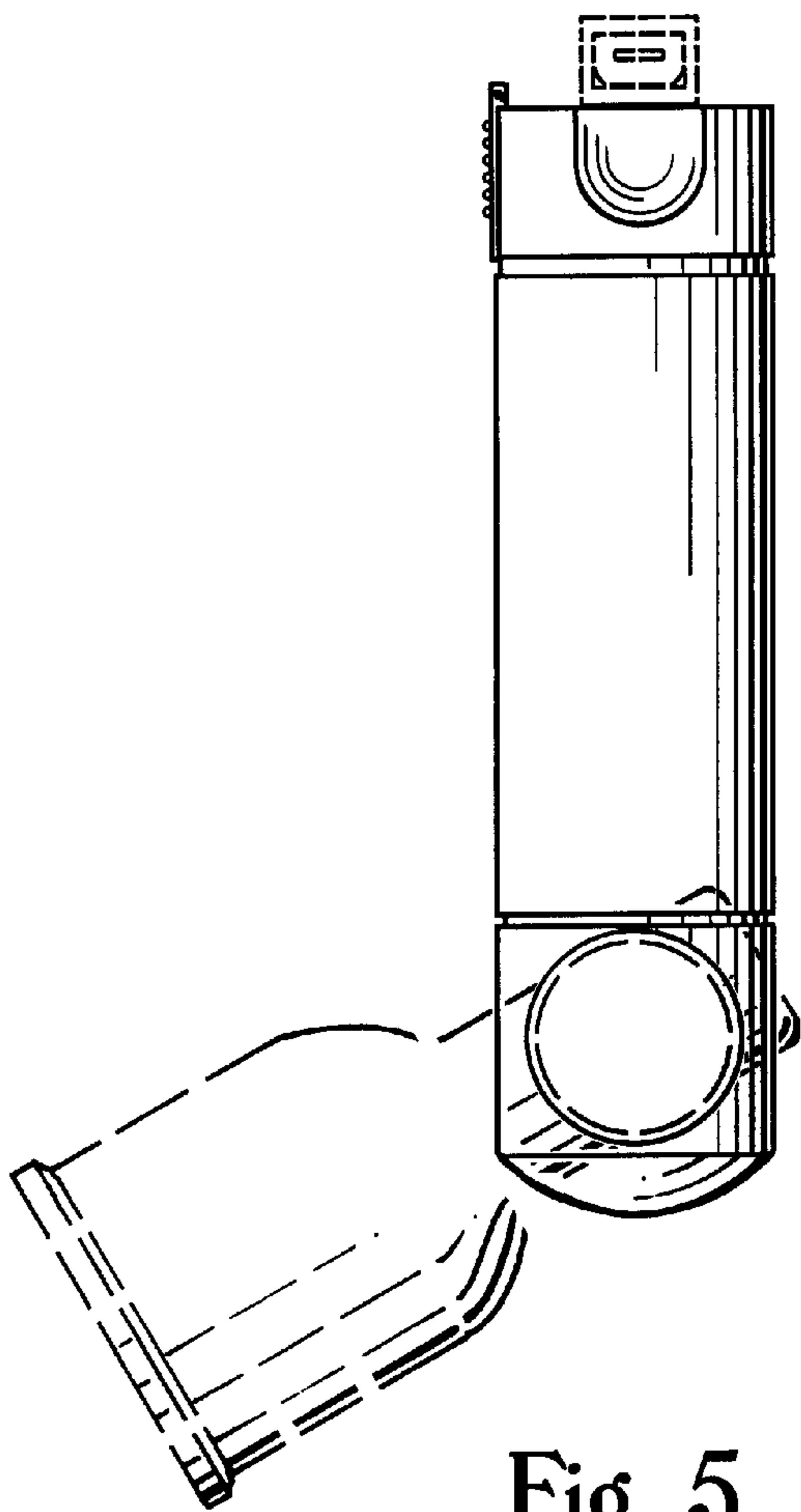


Fig. 5

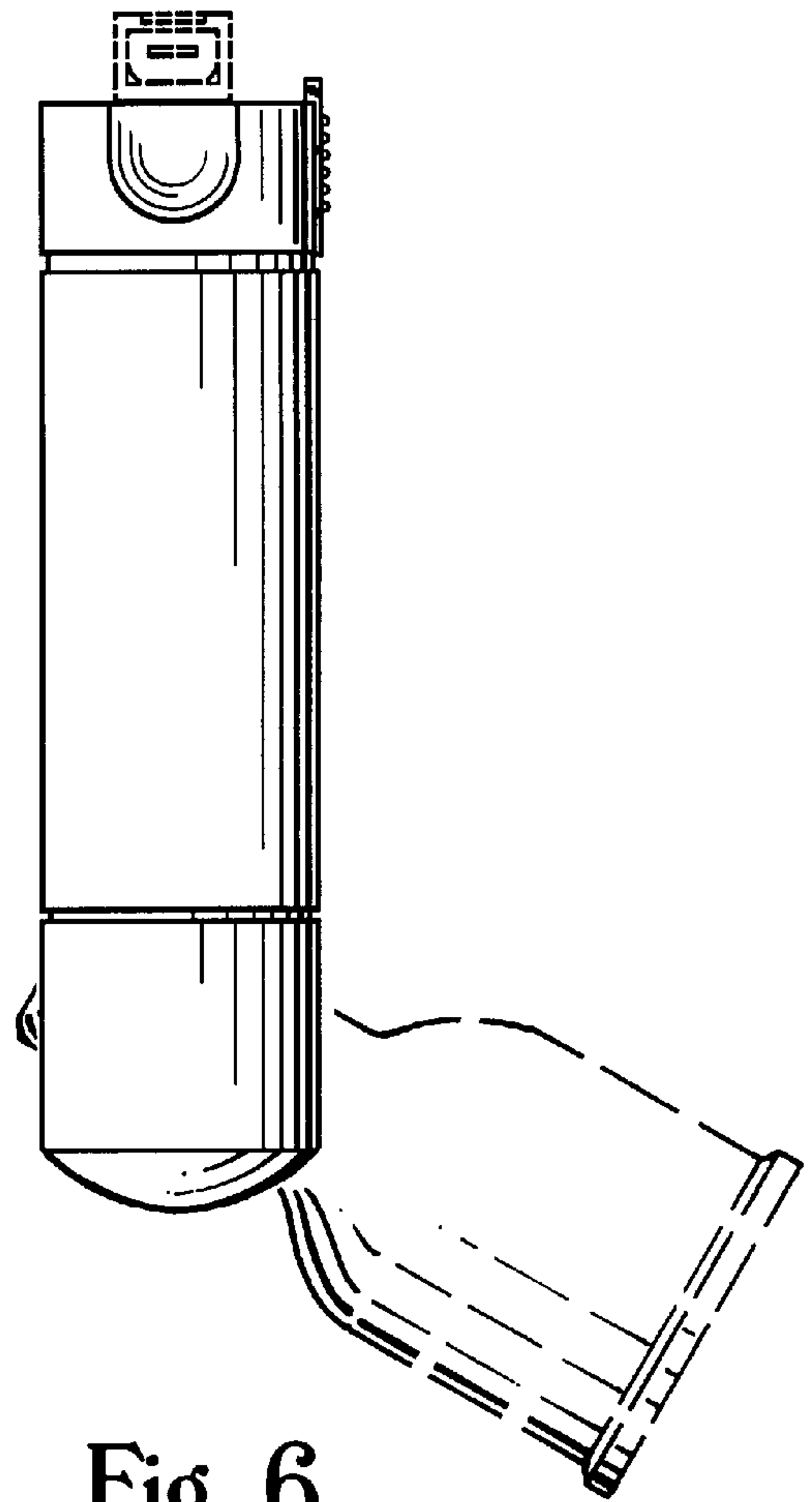


Fig. 6

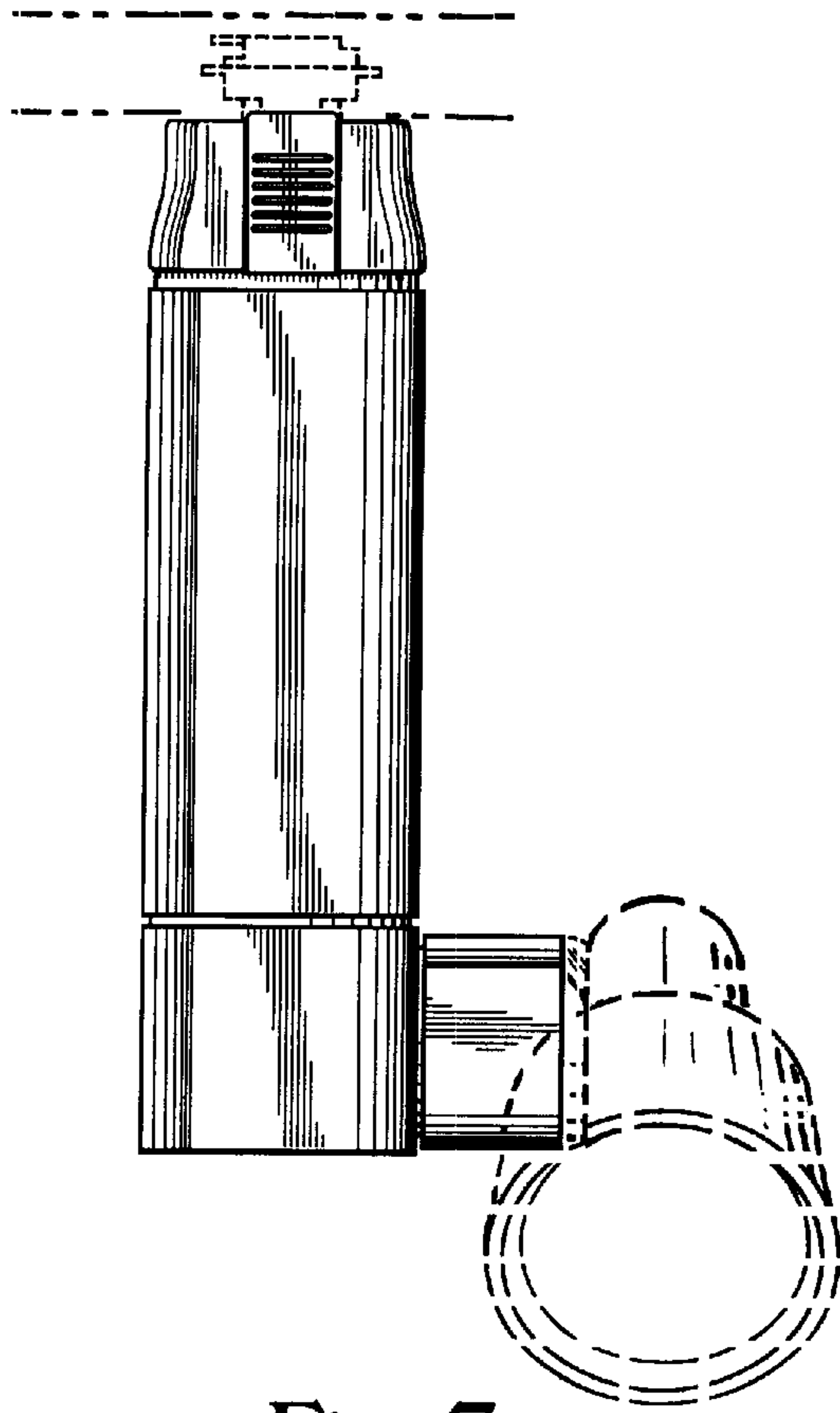


Fig. 7

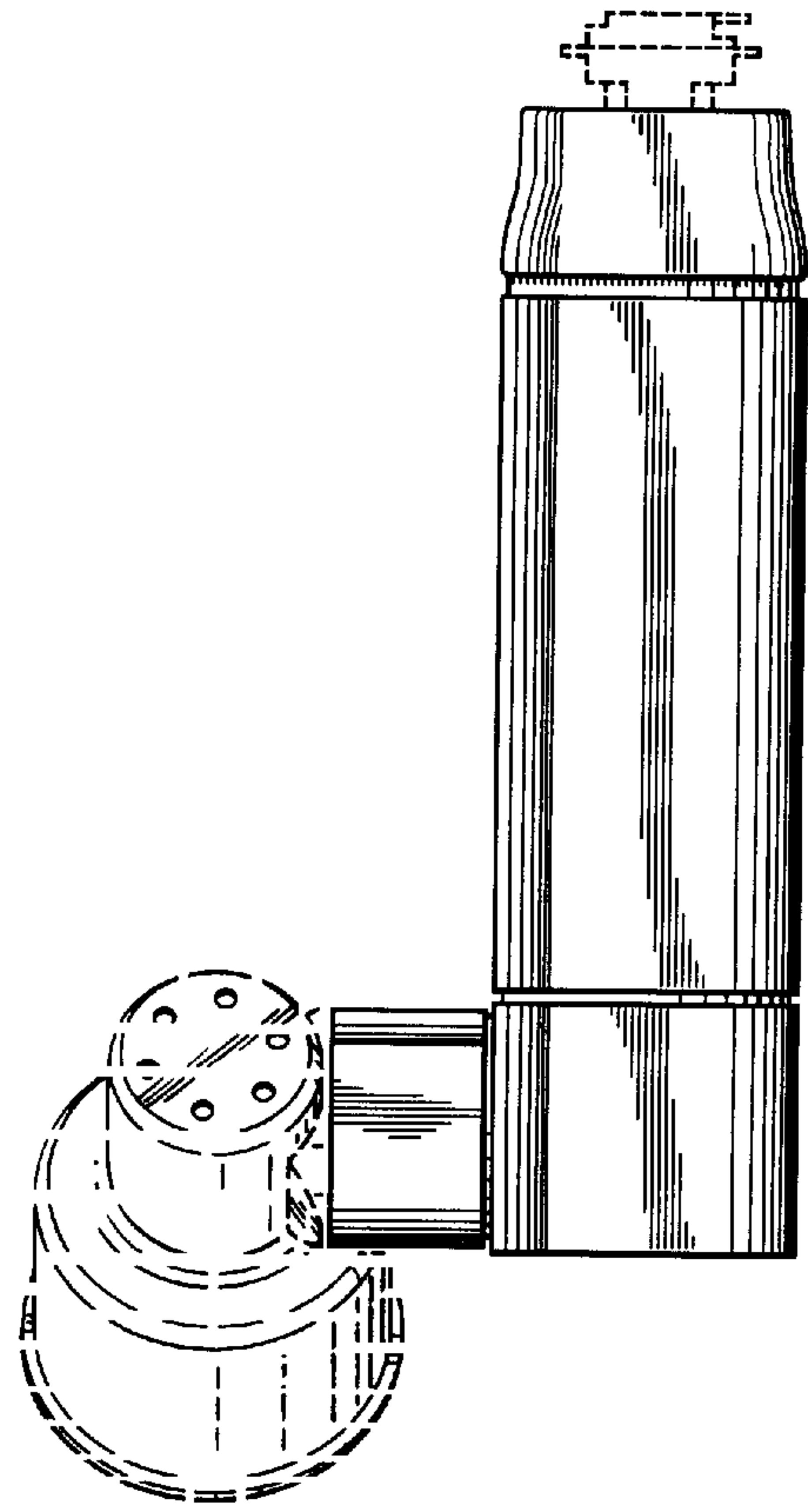


Fig. 8

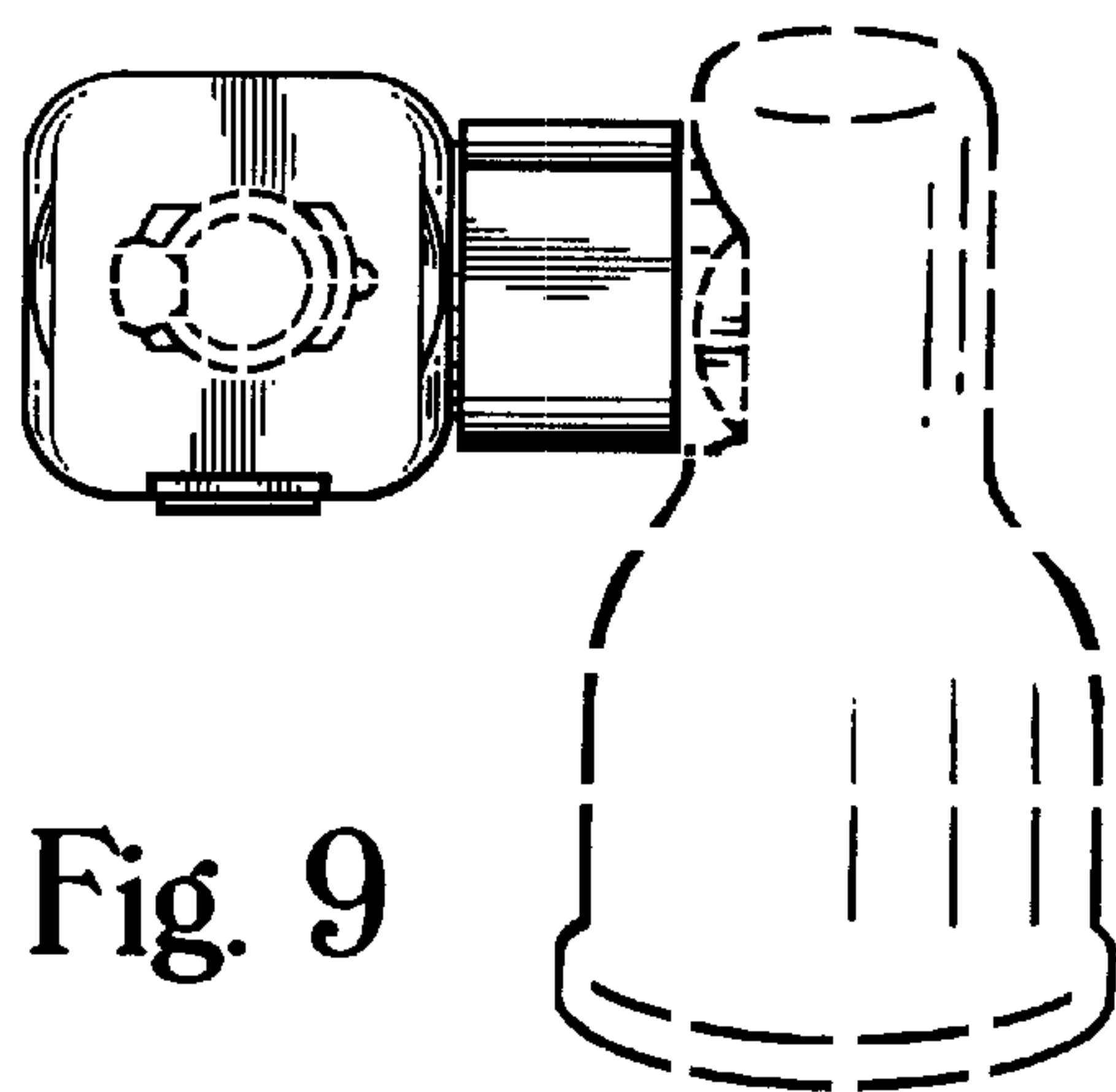


Fig. 9

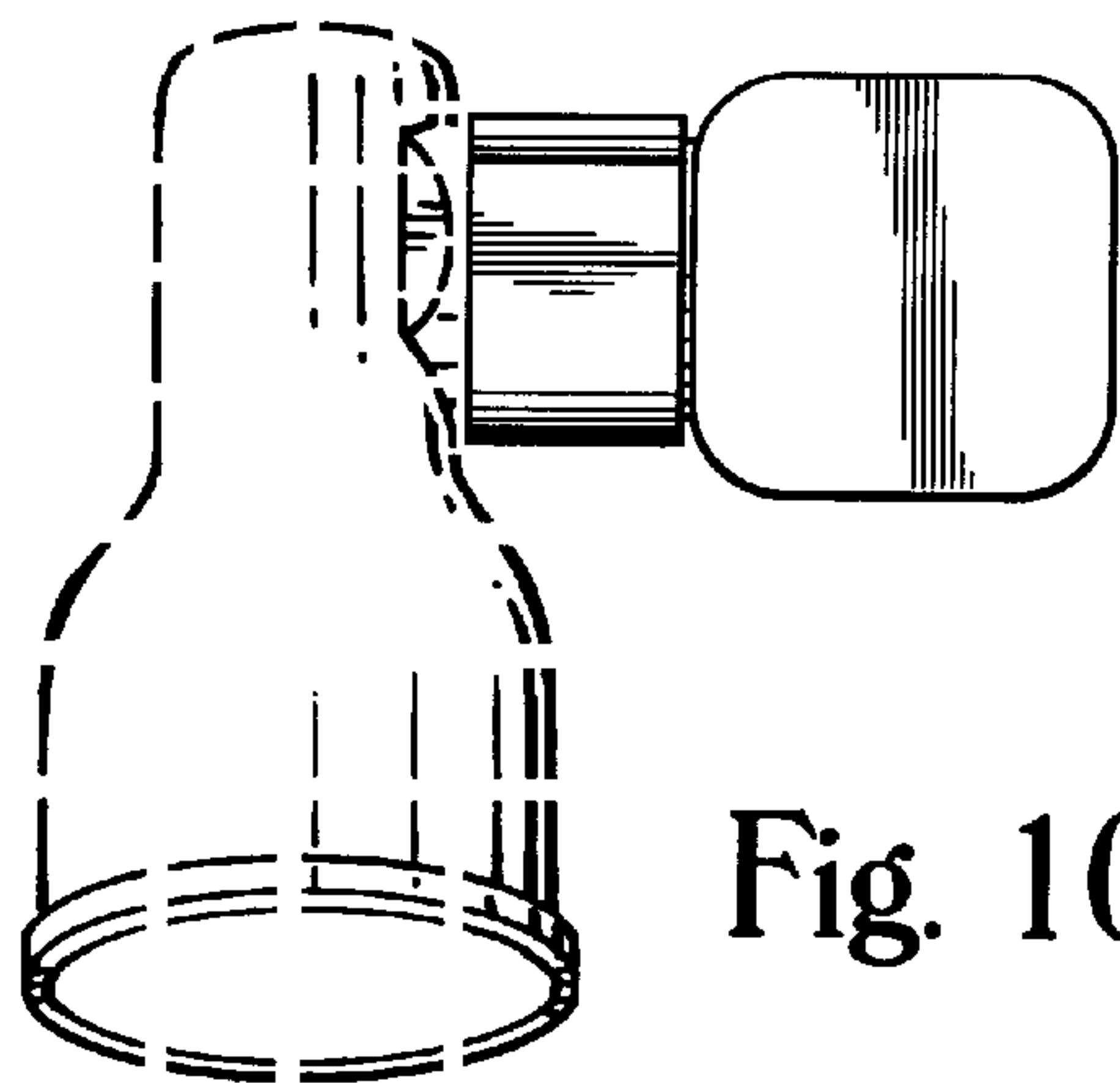


Fig. 10

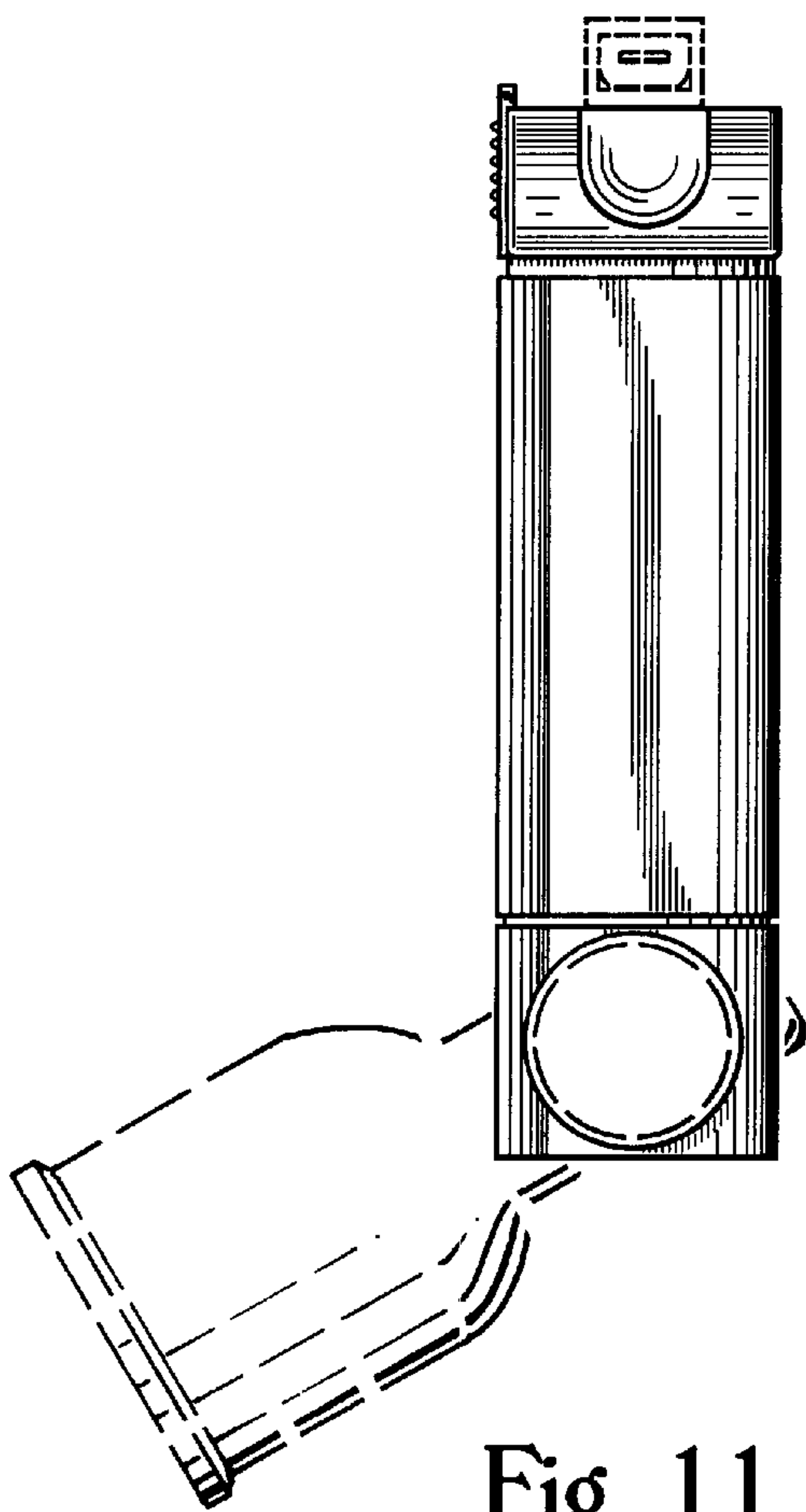


Fig. 11

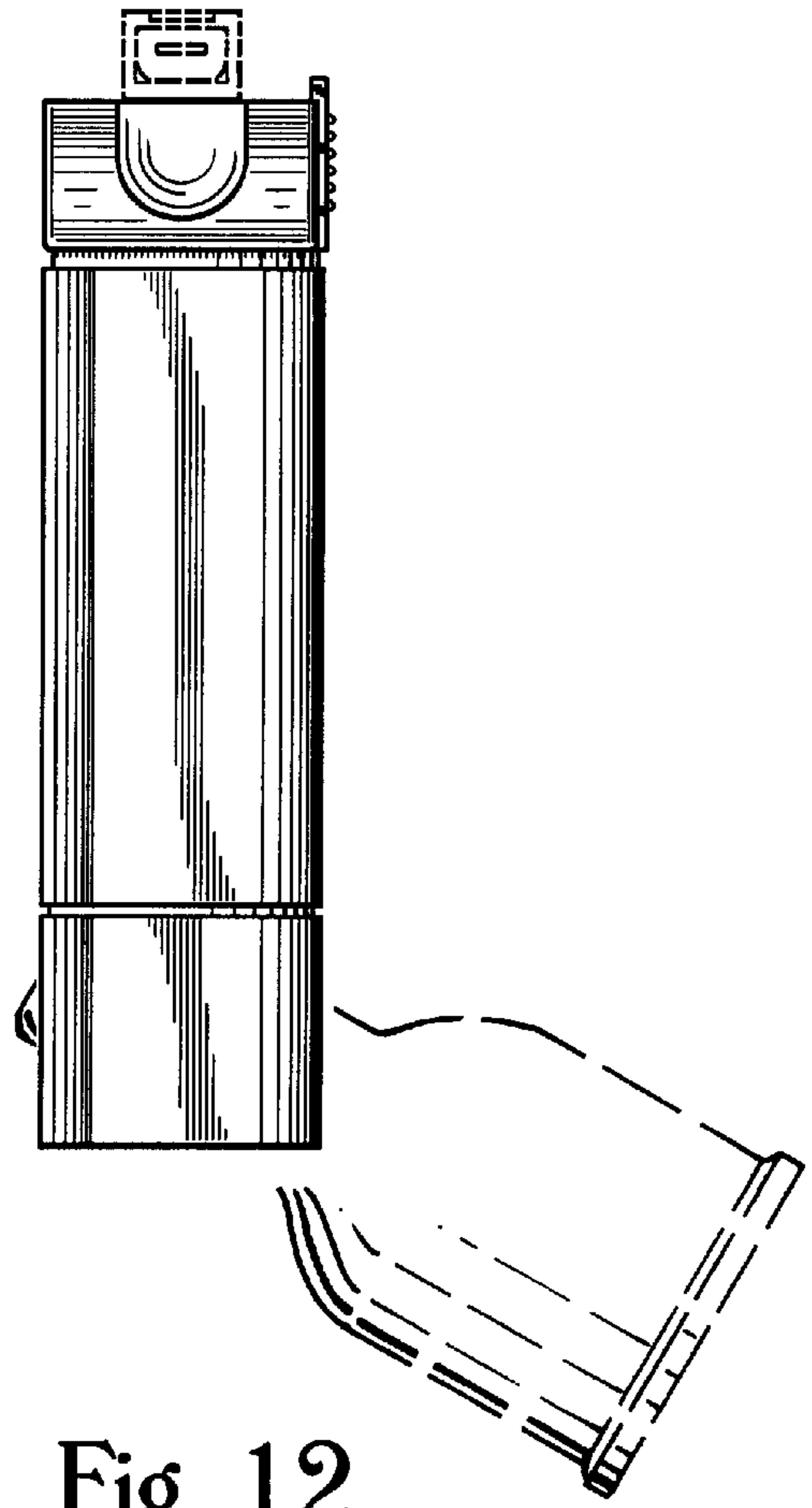


Fig. 12

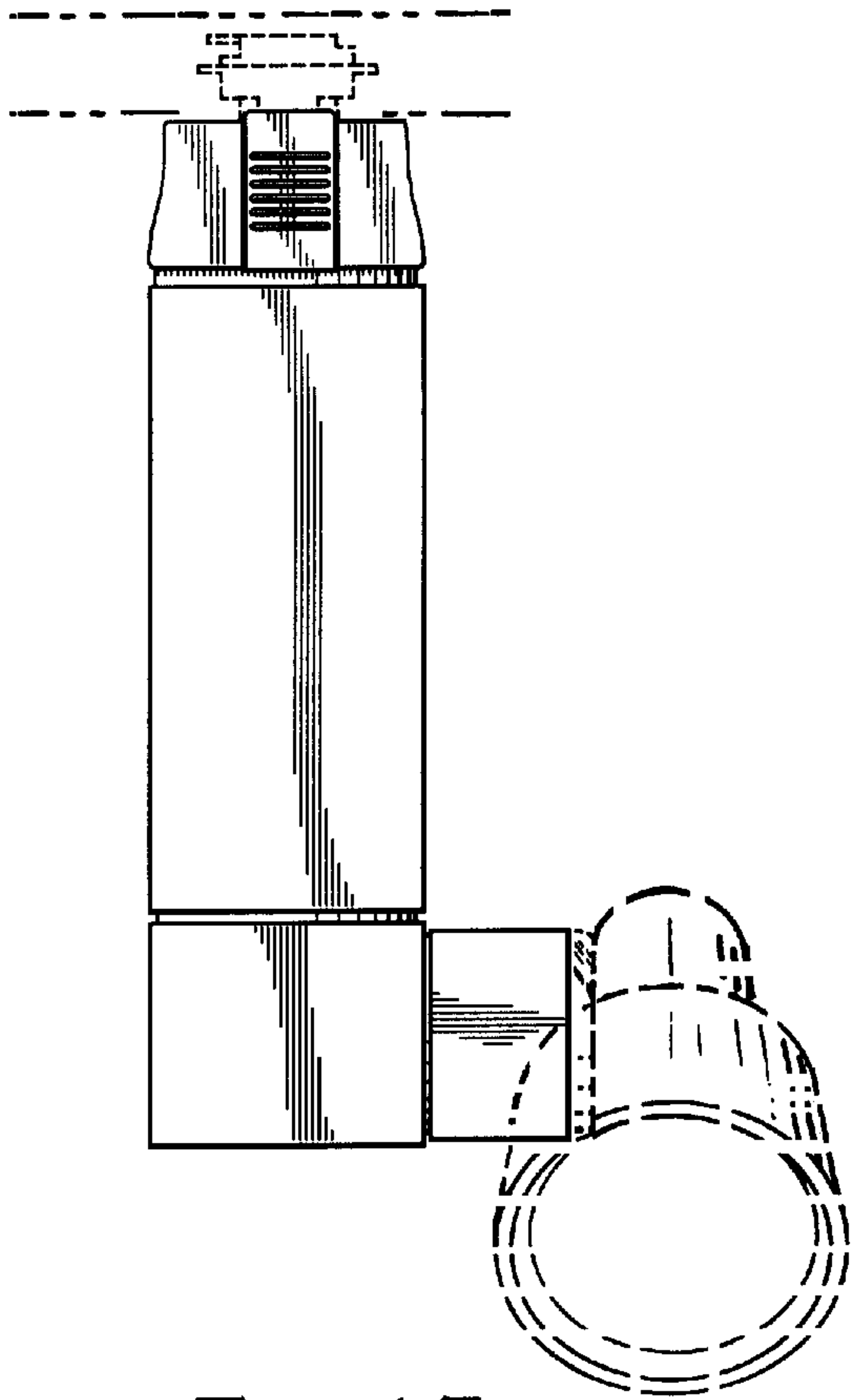


Fig. 13

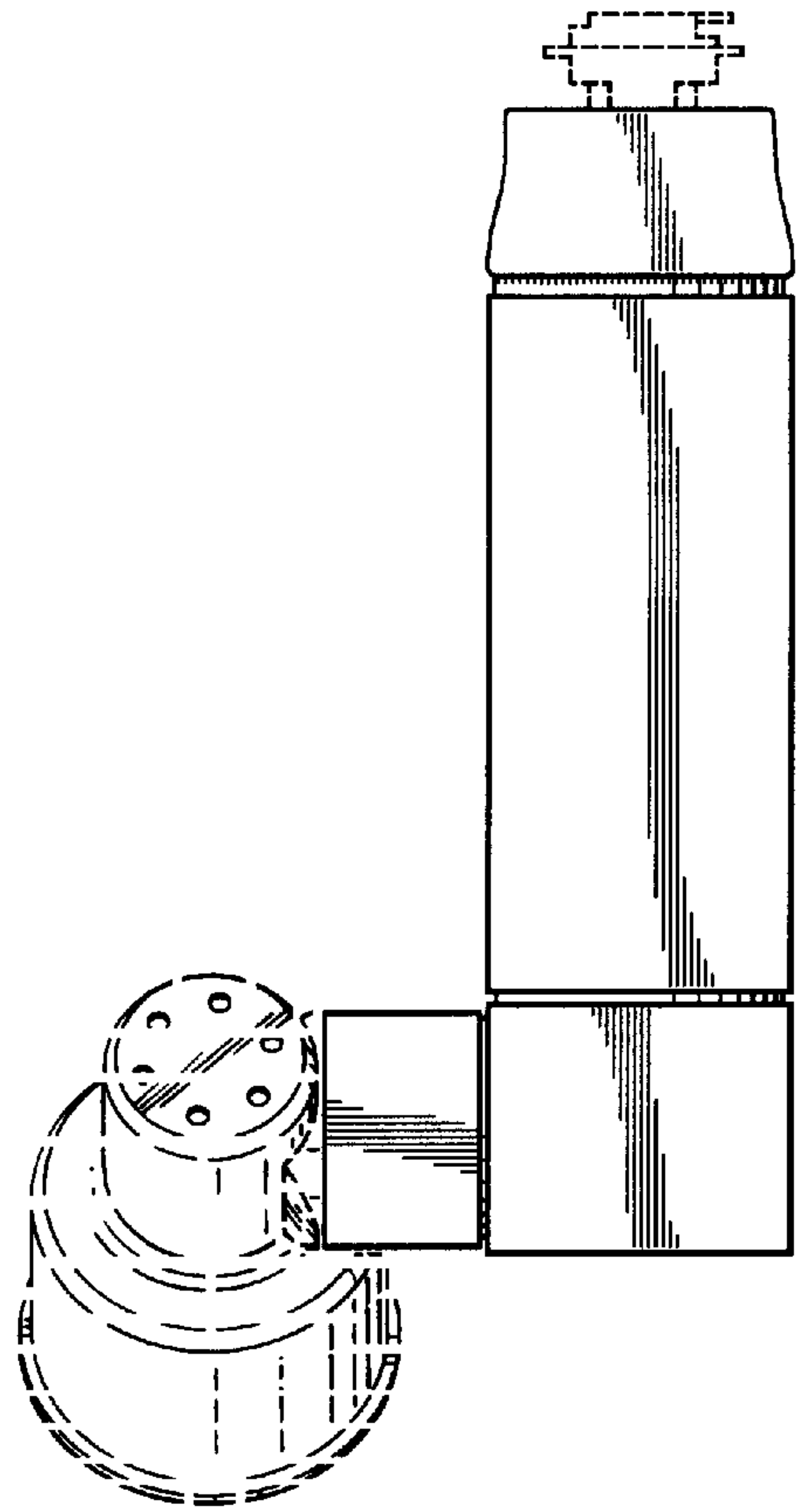


Fig. 14

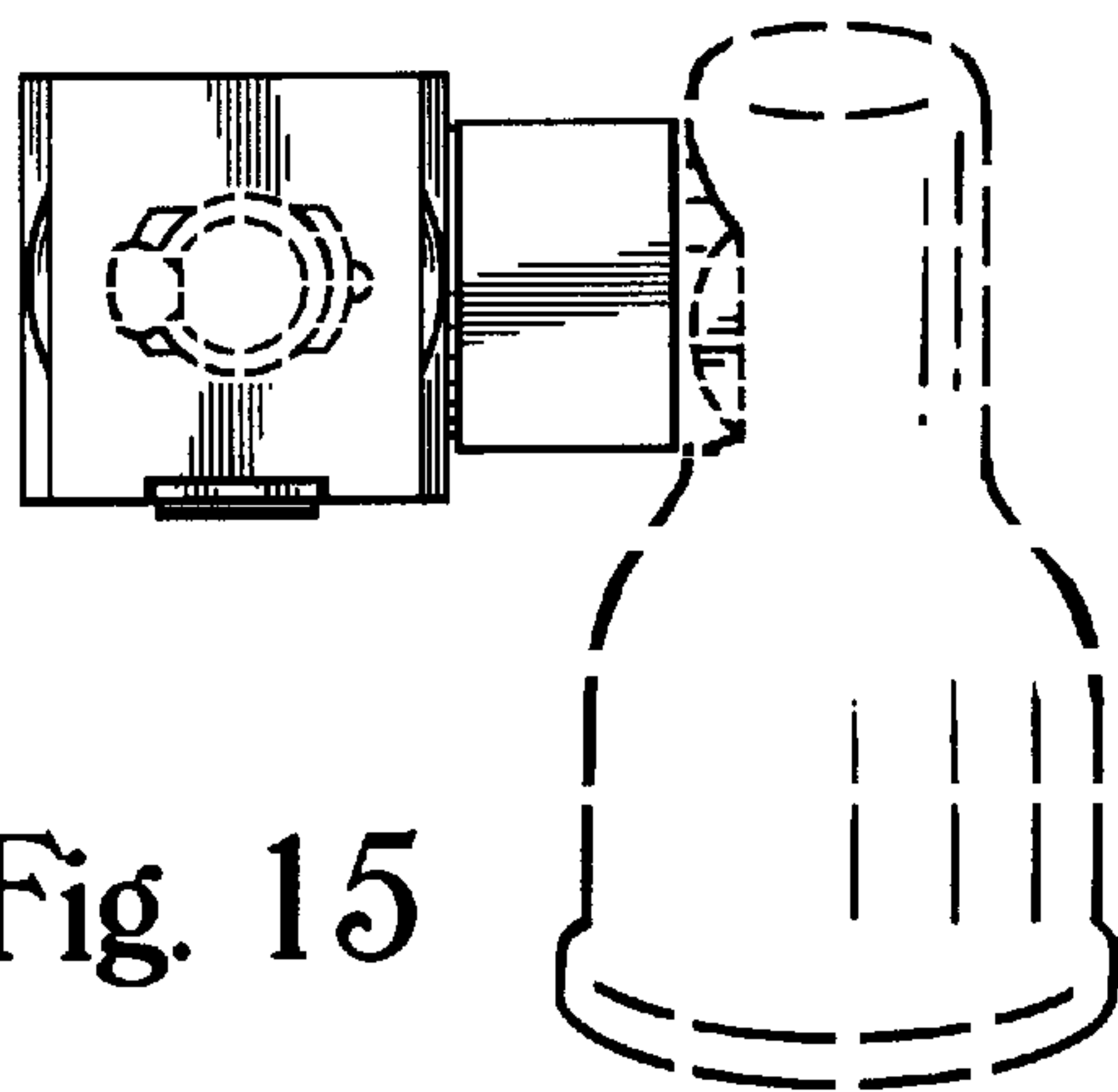


Fig. 15

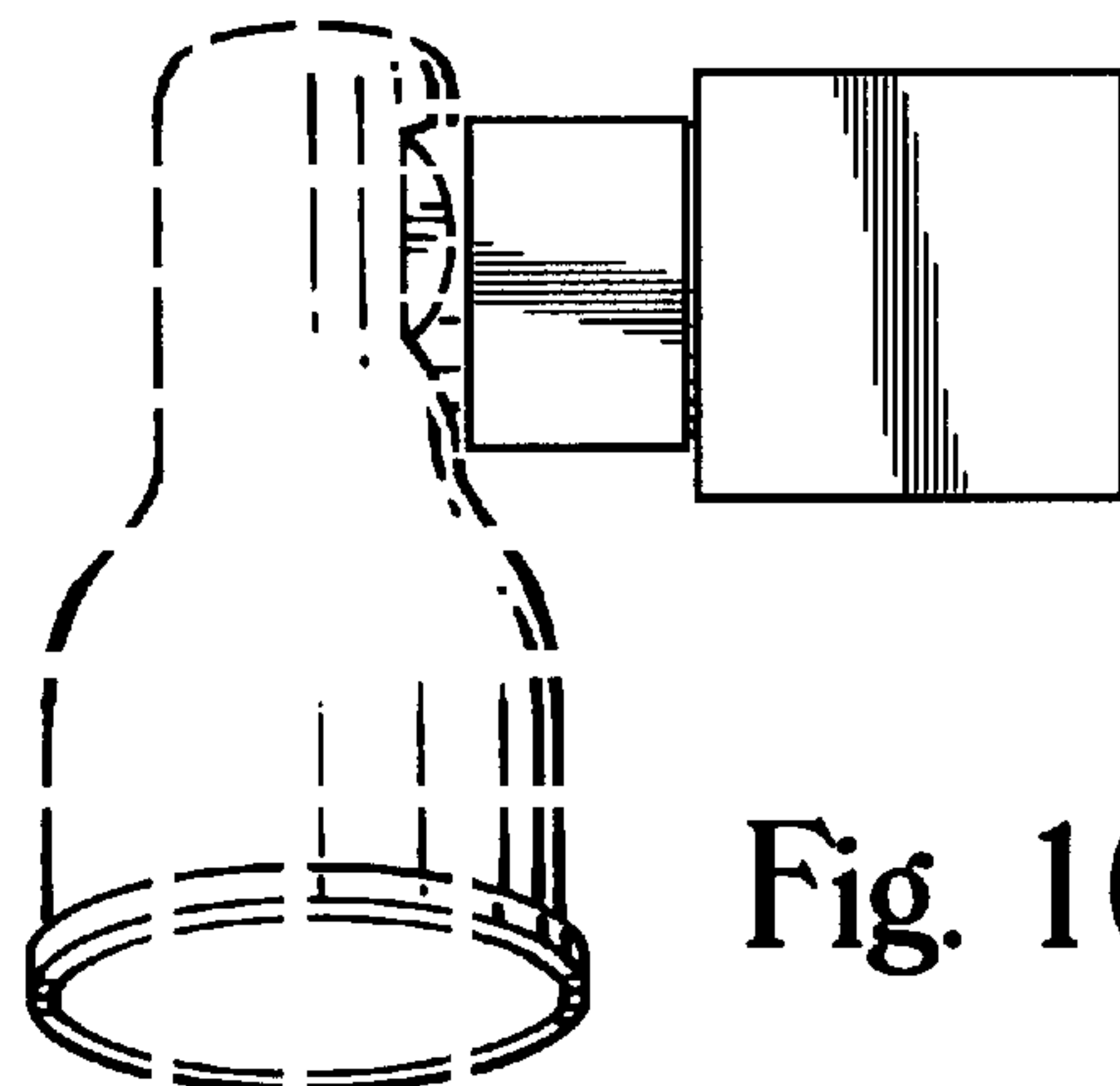


Fig. 16



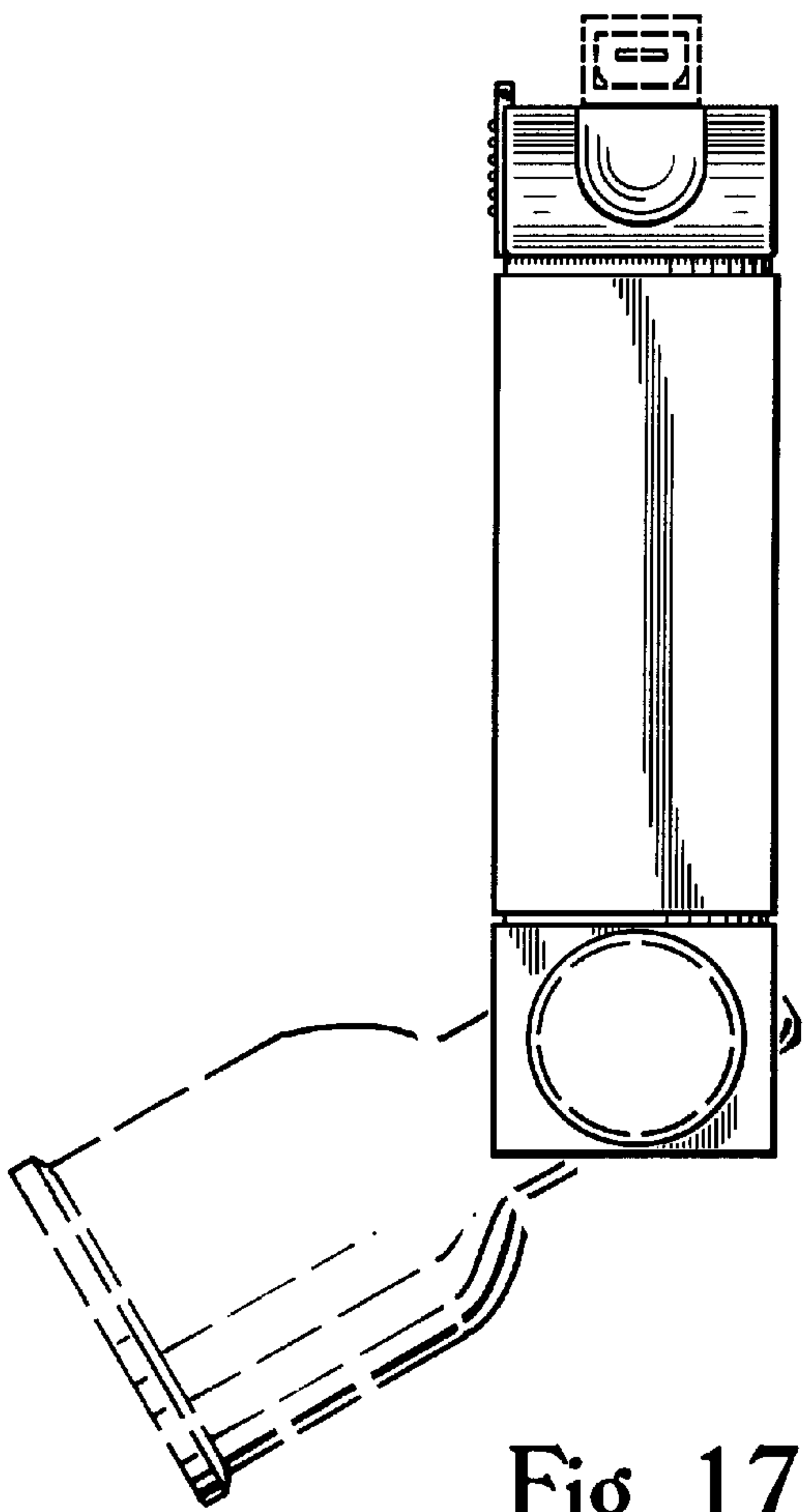


Fig. 17

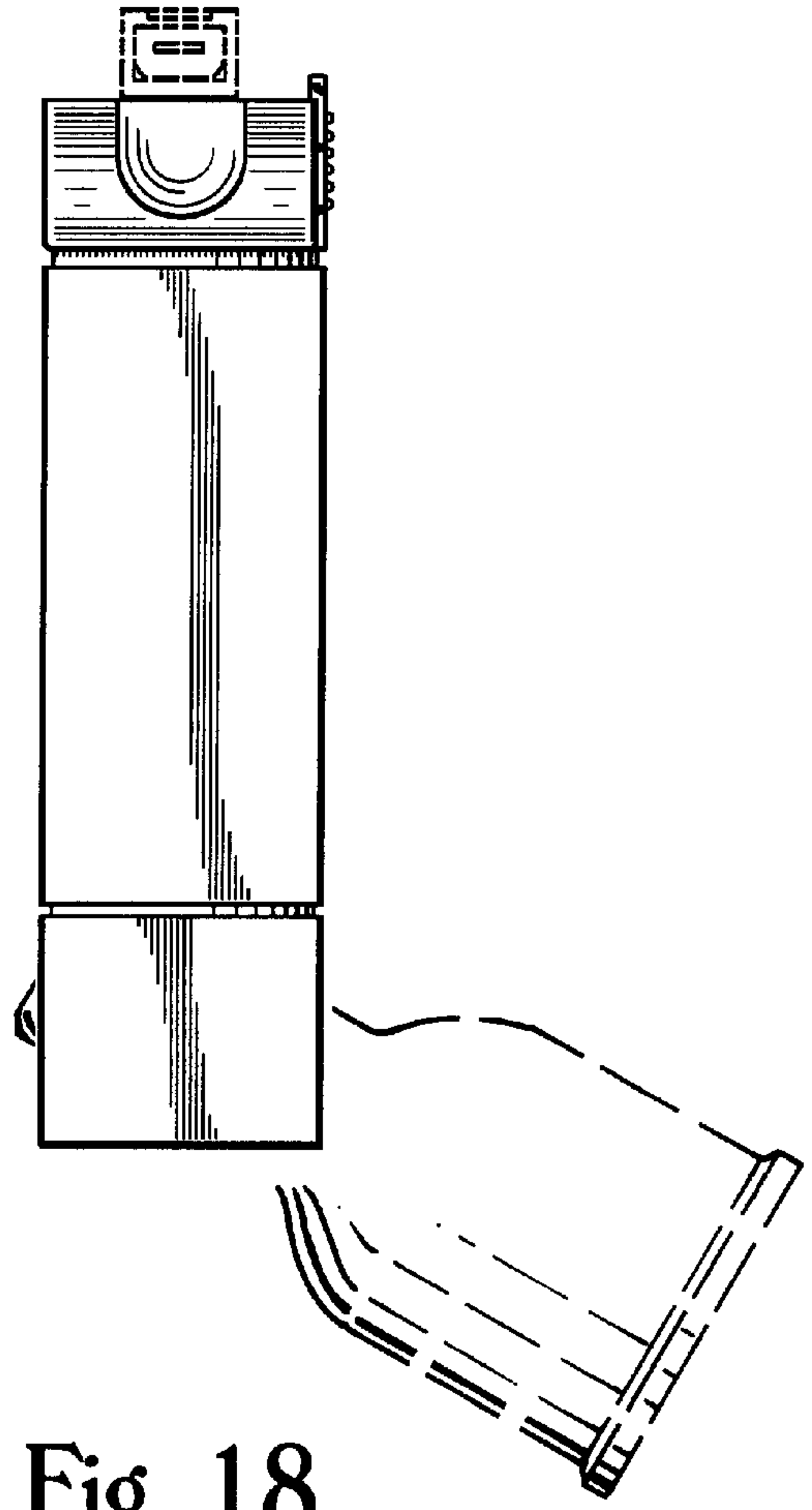


Fig. 18