



US00D442307S

(12) **United States Design Patent**
Parker

(10) **Patent No.:** **US D442,307 S**

(45) **Date of Patent:** **** May 15, 2001**

(54) **FLASHLIGHT**

(75) **Inventor:** **David H. Parker**, Torrance, CA (US)

(73) **Assignee:** **Pelican Products, Inc.**, Torrance, CA (US)

(**) **Term:** **14 Years**

(21) **Appl. No.:** **29/121,662**

(22) **Filed:** **Apr. 10, 2000**

(51) **LOC (7) Cl.** **26-02**

(52) **U.S. Cl.** **D26/49**

(58) **Field of Search** D26/37-50; 362/157, 362/158, 183-208

(56) **References Cited**

U.S. PATENT DOCUMENTS

- D. 402,068 * 12/1998 Parker D26/37
- D. 408,090 * 4/1999 Monteleone et al. D26/37
- D. 422,734 * 4/2000 Stephens D26/37

OTHER PUBLICATIONS

Advertisement for Pelican Product, Inc.'s *Super SabreLite®* prior to Apr. 10, 2000.

* cited by examiner

Primary Examiner—Marcus A. Jackson

(74) *Attorney, Agent, or Firm*—Oppenheimer, Wolff & Donnelly LLP

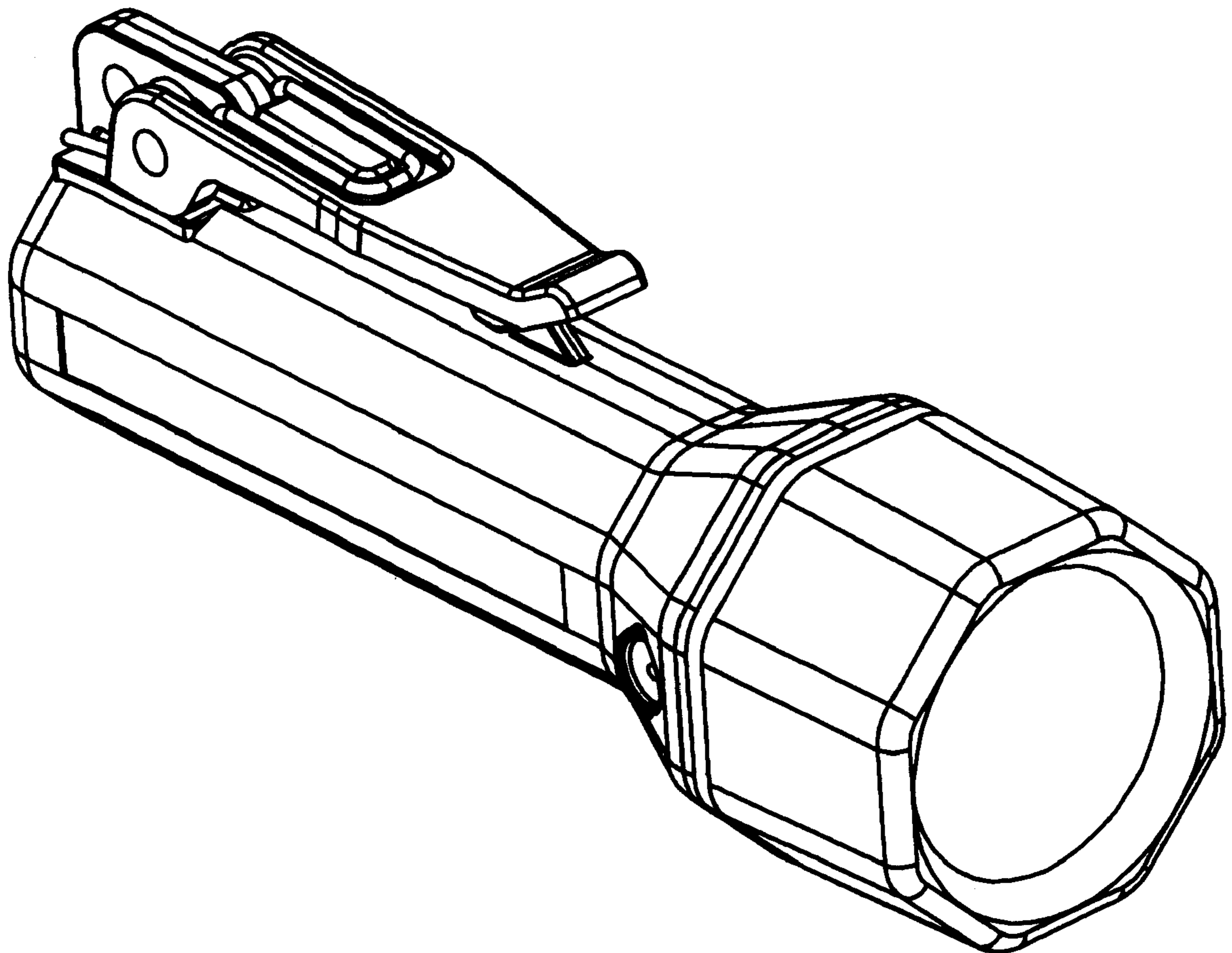
(57) **CLAIM**

The ornamental design for a flashlight, as shown and described.

DESCRIPTION

FIG. 1 is a perspective view from the front of the flashlight; FIG. 2 is a perspective view of the top of the flashlight viewed from the rear of the flashlight; FIG. 3 is a perspective view from the front of the flashlight showing the opposite side to that shown in FIG. 1; and, FIG. 4 is a perspective view of an underside of the flashlight viewed from the rear of the flashlight.

1 Claim, 2 Drawing Sheets



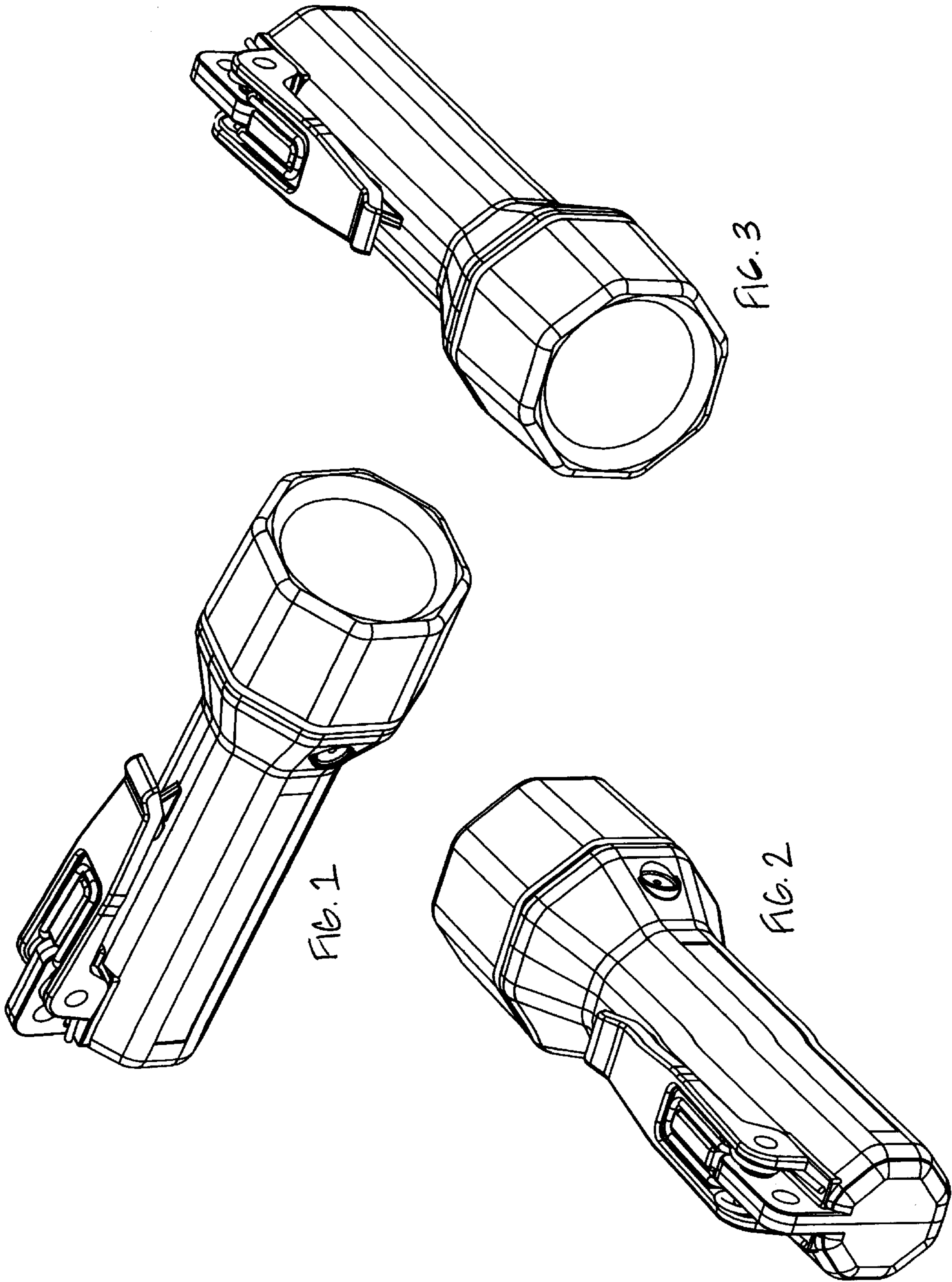


FIG. 4

