



US00D442305S

(12) **United States Design Patent**  
**Warden**

(10) **Patent No.:** **US D442,305 S**

(45) **Date of Patent:** **\*\* May 15, 2001**

(54) **FISH-SHAPED LIGHT FOR PET COLLAR**

(74) *Attorney, Agent, or Firm*—Gardner Groff Mehrman & Josephic P.C.

(76) Inventor: **Margaret M. Warden**, 5 Quail St., Hilton, SC (US) 29928

(57) **CLAIM**

(\*\*) Term: **14 Years**

I claim the ornamental design for a fish-shaped light for pet collar, as shown.

(21) Appl. No.: **29/131,838**

**DESCRIPTION**

(22) Filed: **Oct. 26, 2000**

(51) **LOC (7) Cl.** ..... **26-02**

(52) **U.S. Cl.** ..... **D26/38**

(58) **Field of Search** ..... D26/1, 2, 3, 4,  
D26/101, 125, 127; 362/806, 808, 122,  
124

FIG. 1 is a perspective illustration of a fish-shaped light for pet collar according to a preferred form of the invention.

FIG. 2 is a left elevation view of the fish-shaped light for pet collar of FIG. 1.

FIG. 3 is a right side elevation view of the fish-shaped light for pet collar of FIG. 1.

FIG. 4 is a front view of the fish-shaped light for pet collar of FIG. 1.

FIG. 5 is a rear view of the fish-shaped light for pet collar of FIG. 1.

FIG. 6 is a top view of the fish-shaped light for pet collar of FIG. 1; and,

FIG. 7 is a bottom elevation view of the fish-shaped light for pet collar of FIG. 1.

(56) **References Cited**

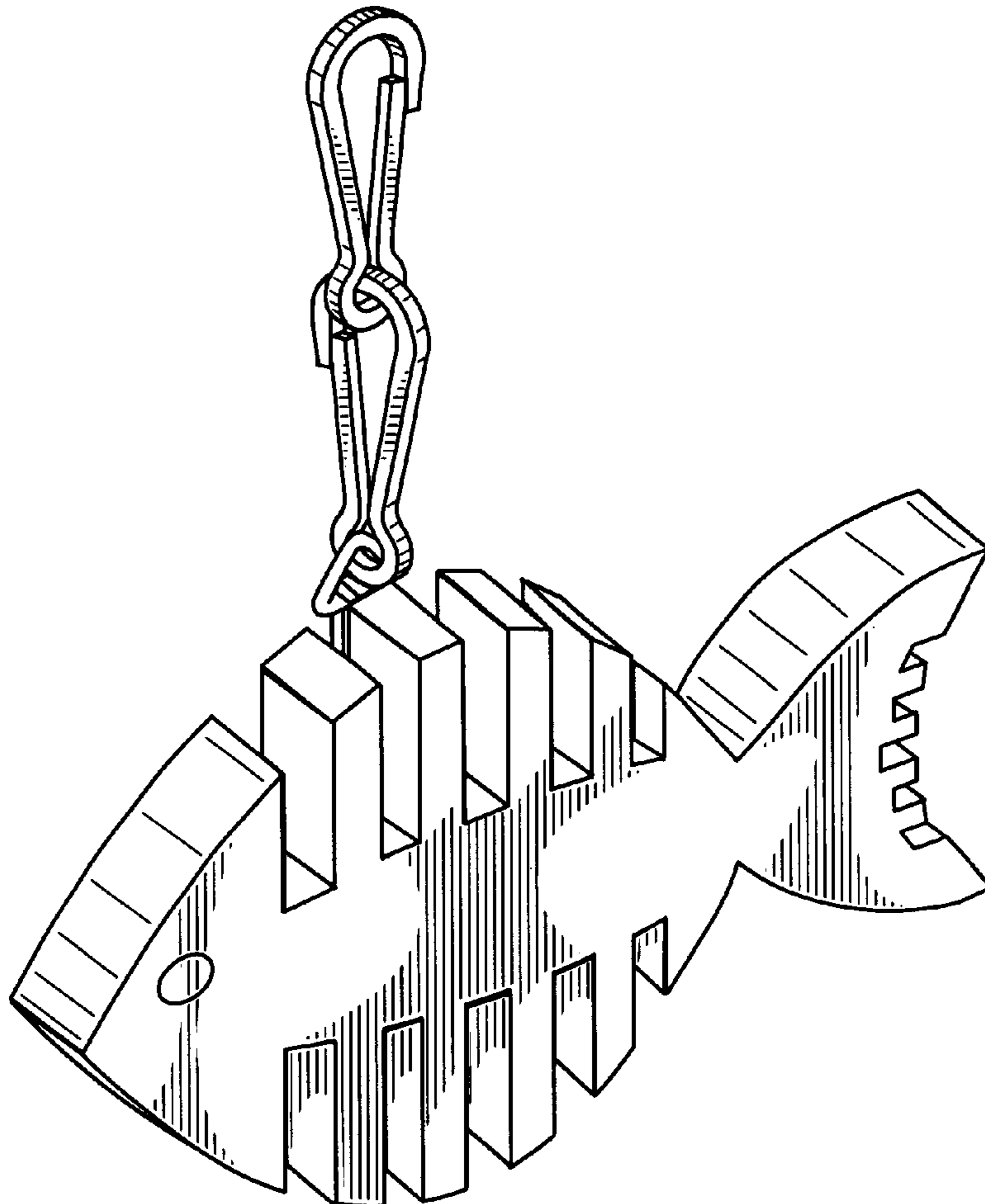
**U.S. PATENT DOCUMENTS**

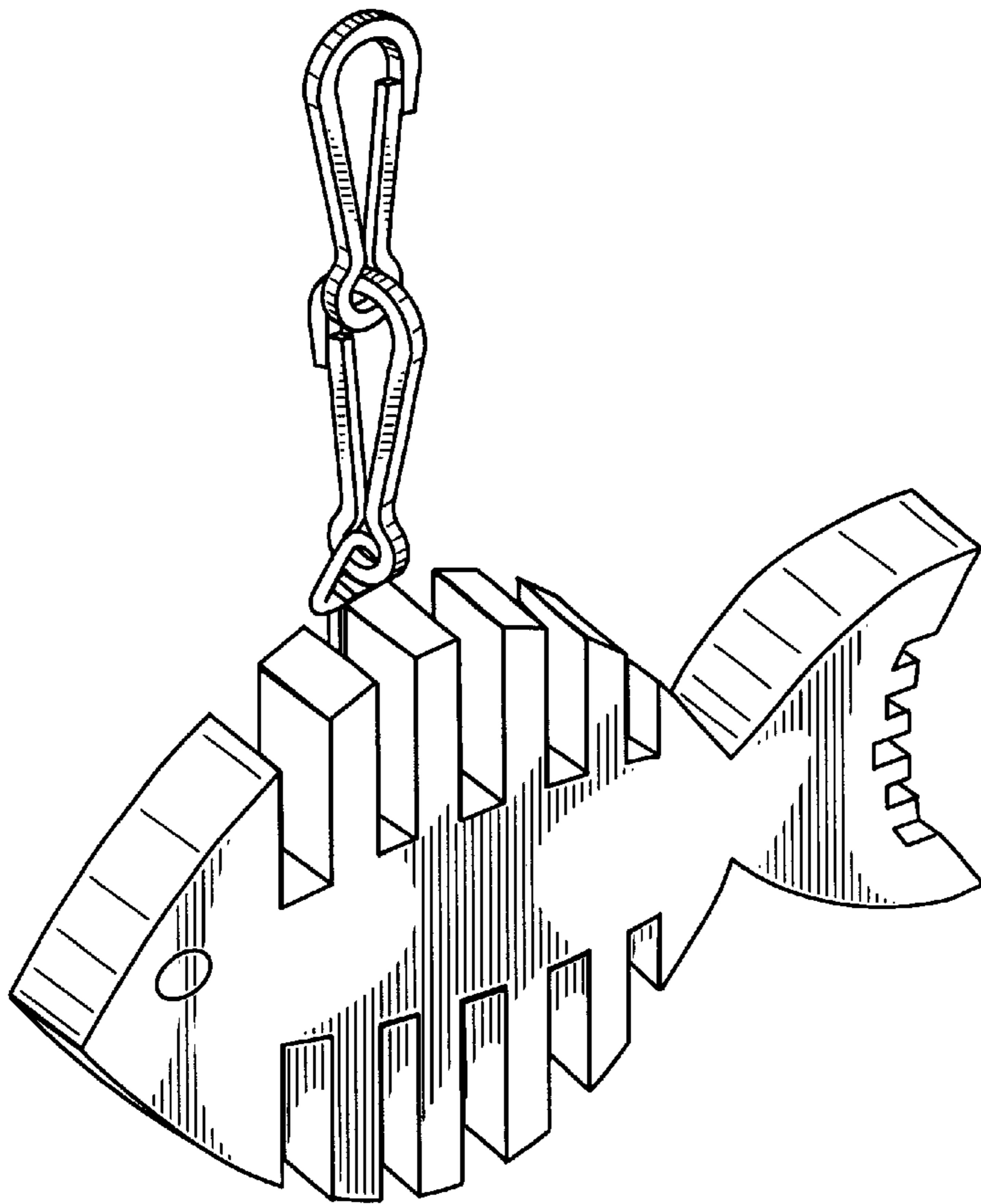
D. 370,282	*	5/1996	Grether	.....	D26/4
D. 406,909	*	3/1999	Wang	.....	D26/4
D. 407,163	*	3/1999	Berkowitz	.....	D26/4

\* cited by examiner

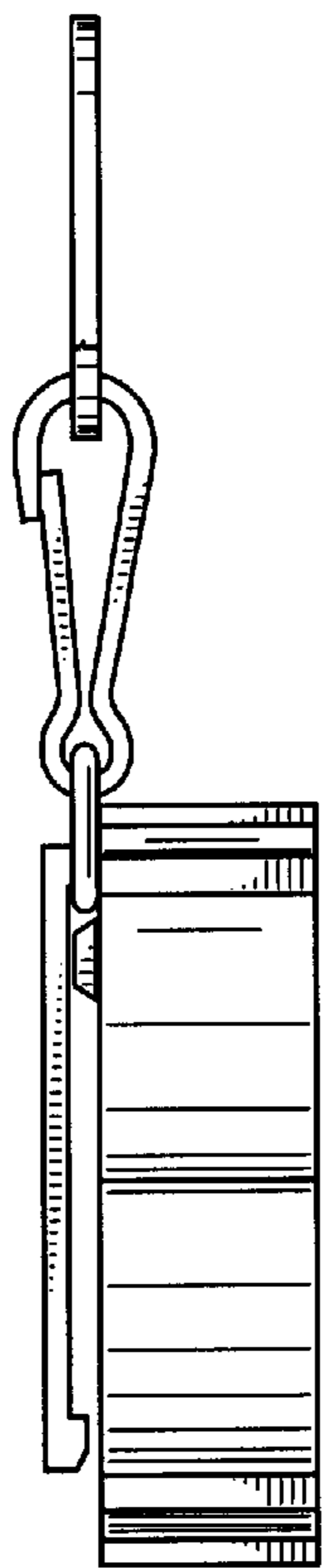
*Primary Examiner*—Marcus A. Jackson

**1 Claim, 3 Drawing Sheets**

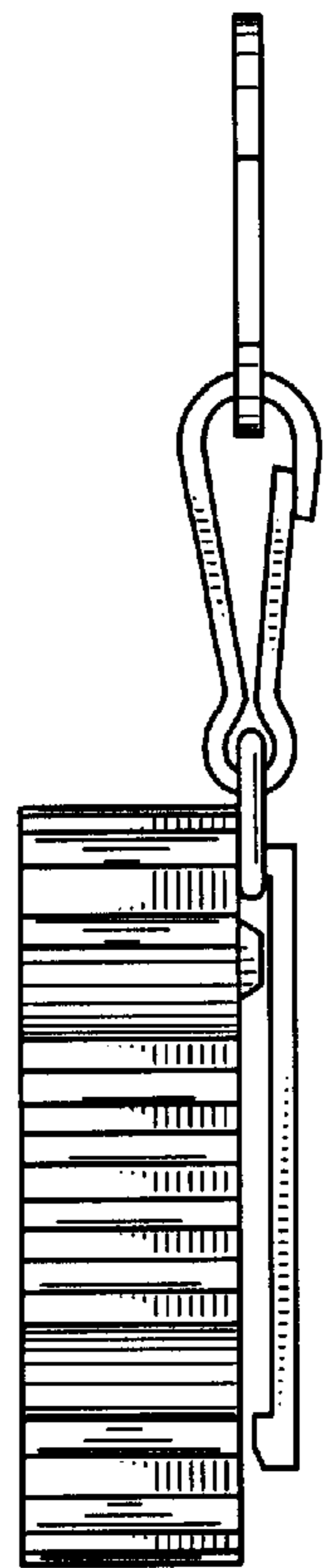




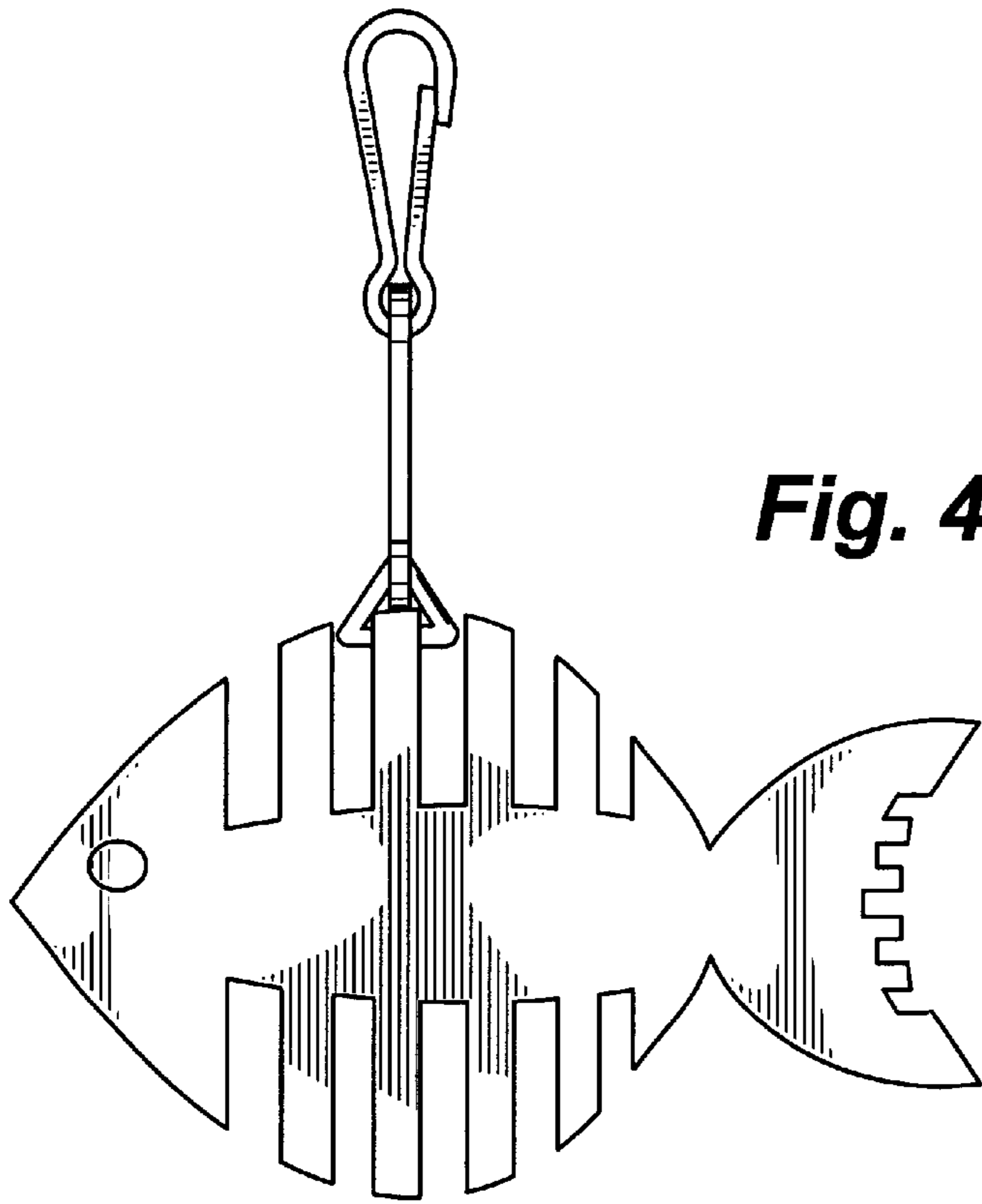
**Fig. 1**



**Fig. 2**

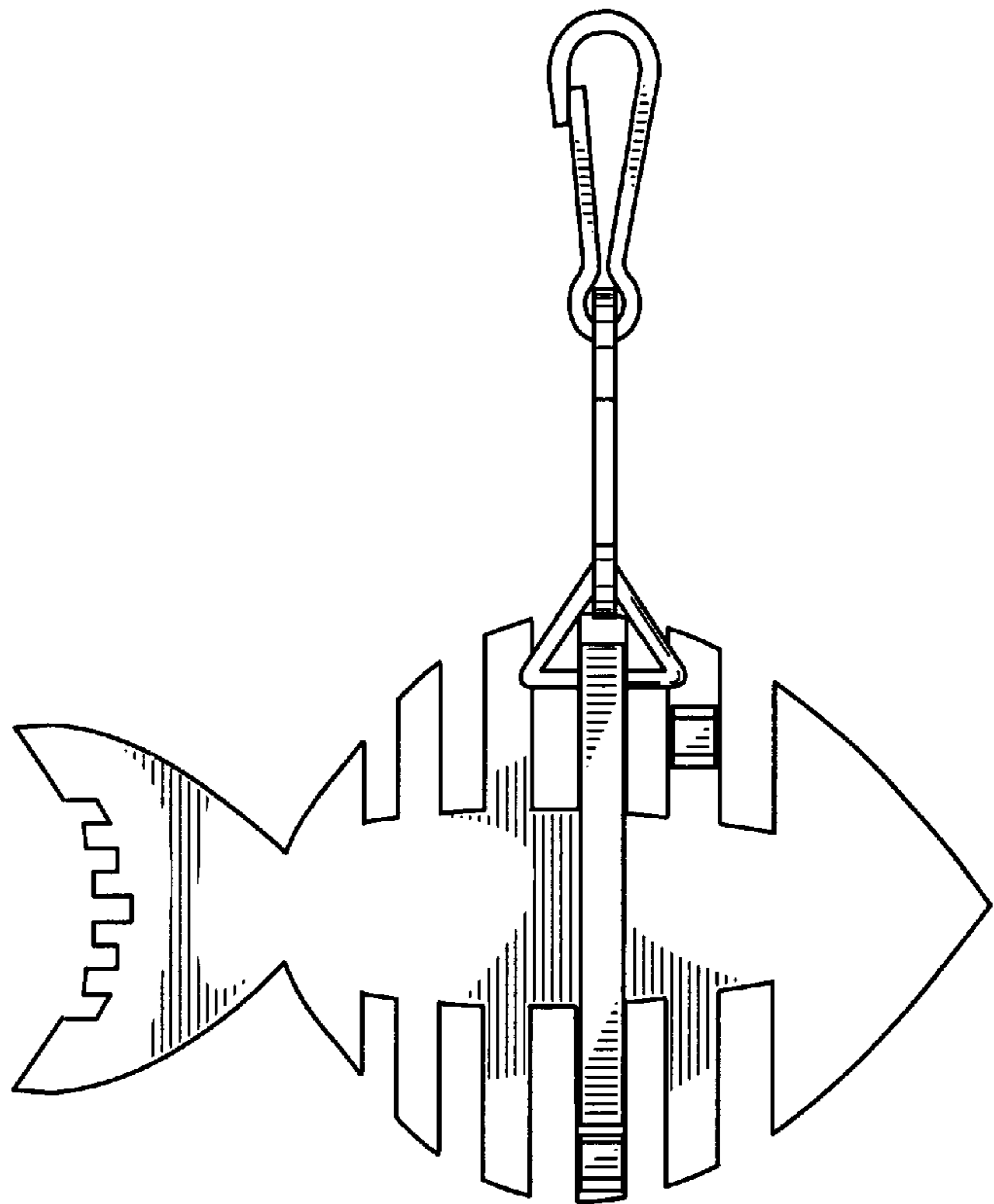


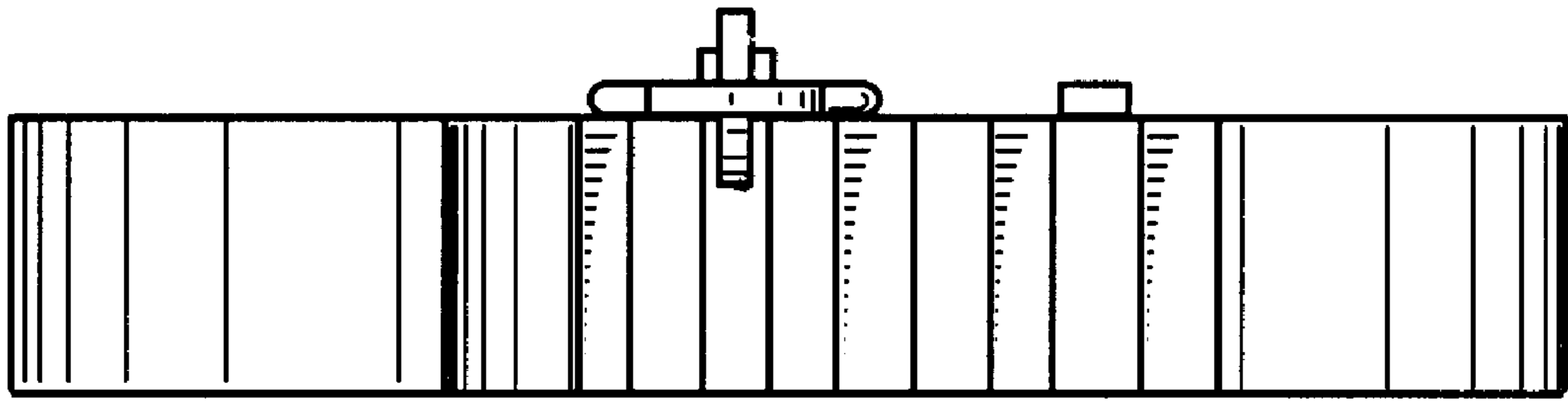
**Fig. 3**



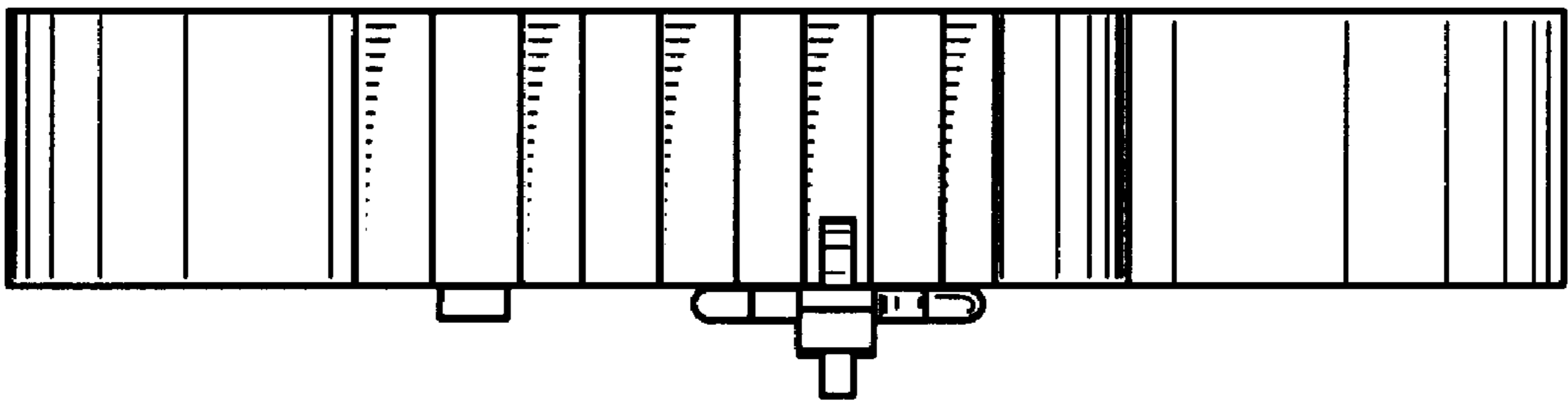
**Fig. 4**

**Fig. 5**





***Fig. 6***



***Fig. 7***

UNITED STATES PATENT AND TRADEMARK OFFICE  
**CERTIFICATE OF CORRECTION**

PATENT NO. : Des 442,305 S  
DATED : May 15, 2001  
INVENTOR(S) : Warden, Margaret M..

Page 1 of 1

It is certified that error appears in the above-identified patent and that said Letters Patent is hereby corrected as shown below:

Title page.

Item [76] should read as follows:

Margaret M. Warden  
5 Quail Street  
Hilton Head Island, South Carolina 29928

Signed and Sealed this

Thirtieth Day of October, 2001

Attest:

*Nicholas P. Godici*

Attesting Officer

NICHOLAS P. GODICI  
Acting Director of the United States Patent and Trademark Office

UNITED STATES PATENT AND TRADEMARK OFFICE  
**CERTIFICATE OF CORRECTION**

PATENT NO. : Des 442,305 S  
DATED : May 15, 2001  
INVENTOR(S) : Warden, Margaret M.

Page 1 of 1

It is certified that error appears in the above-identified patent and that said Letters Patent is hereby corrected as shown below:

Title page,

Item [76] should read as follows:

Margaret M. Warden

5 Quail Street

Hilton Head Island, South Carolina 29928

Signed and Sealed this

Sixth Day of November, 2001

*Attest:*

*Nicholas P. Godici*

*Attesting Officer*

NICHOLAS P. GODICI  
*Acting Director of the United States Patent and Trademark Office*