



US00D442295S

(12) **United States Design Patent**  
**Stahl**

(10) **Patent No.:** **US D442,295 S**

(45) **Date of Patent:** **\*\* May 15, 2001**

(54) **YARD POST HOLDER**

(76) **Inventor:** **Ed L. Stahl**, 3508 Larson Ave.,  
Rockford, IL (US) 61108

(\*\*) **Term:** **14 Years**

(21) **Appl. No.:** **29/121,991**

(22) **Filed:** **Apr. 17, 2000**

(51) **LOC (7) Cl.** ..... **25-01**

(52) **U.S. Cl.** ..... **D25/134; D25/133**

(58) **Field of Search** ..... D25/126, 128,  
D25/131, 133, 134; 52/146, 153, 155, 297,  
372, 375, 704; 256/19

(56) **References Cited**

**U.S. PATENT DOCUMENTS**

5,396,743 \* 3/1995 Bellette ..... D25/134

5,482,245 1/1996 Graves .  
5,857,664 \* 1/1999 Schauman ..... 256/19  
5,901,526 \* 5/1999 Vidmar et al. .... 256/19

\* cited by examiner

*Primary Examiner*—Doris Clark

(74) *Attorney, Agent, or Firm*—Keith Frantz

(57) **CLAIM**

The ornamental design for a yard post holder, as shown and described.

**DESCRIPTION**

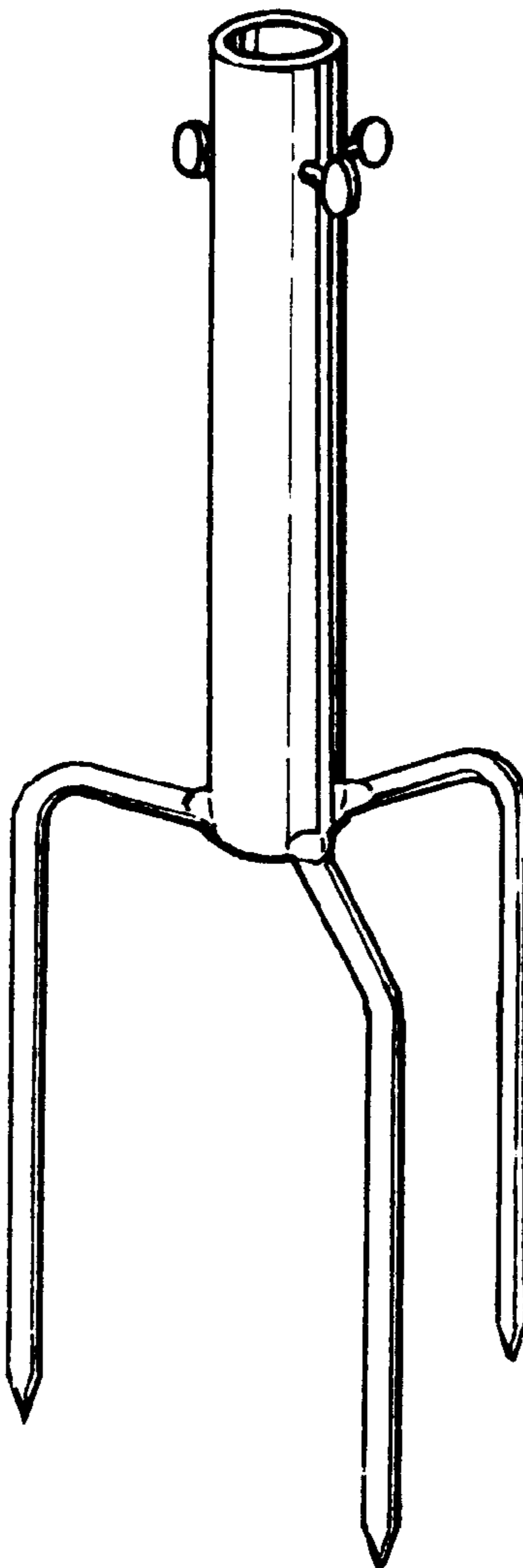
FIG. 1 is a perspective view showing my new design.

FIG. 2 is a front elevation view thereof.

FIG. 3 is a top plan view thereof; and,

FIG. 4 is a bottom plan view thereof.

**1 Claim, 2 Drawing Sheets**



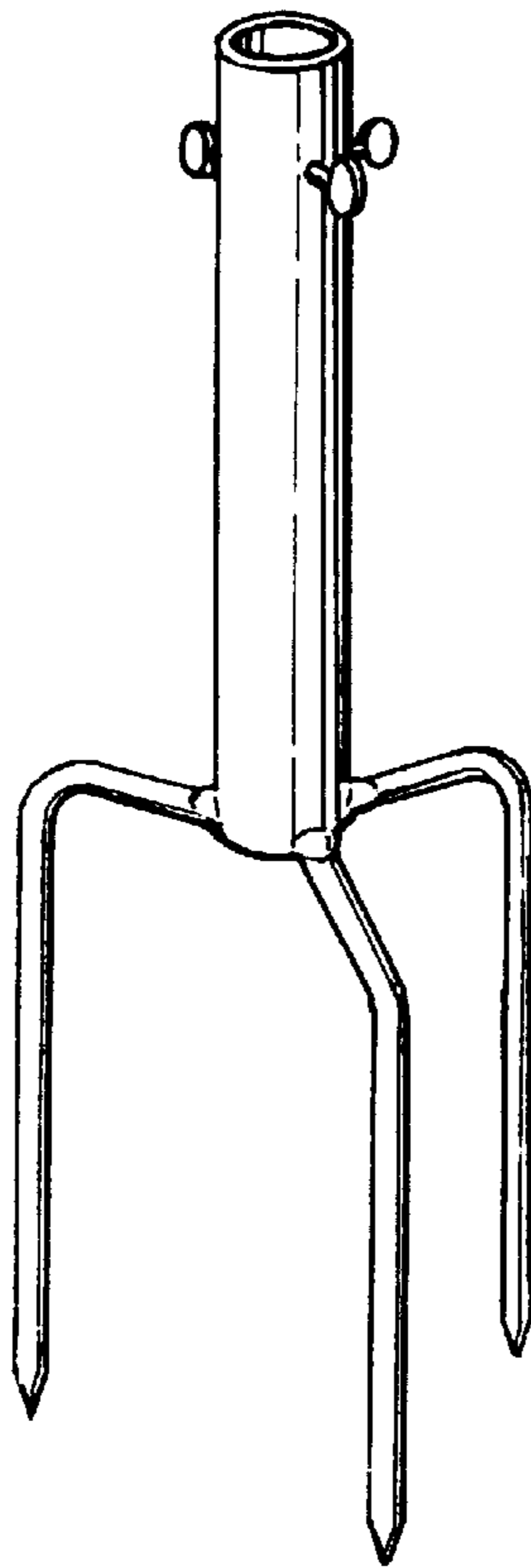


FIG. 1

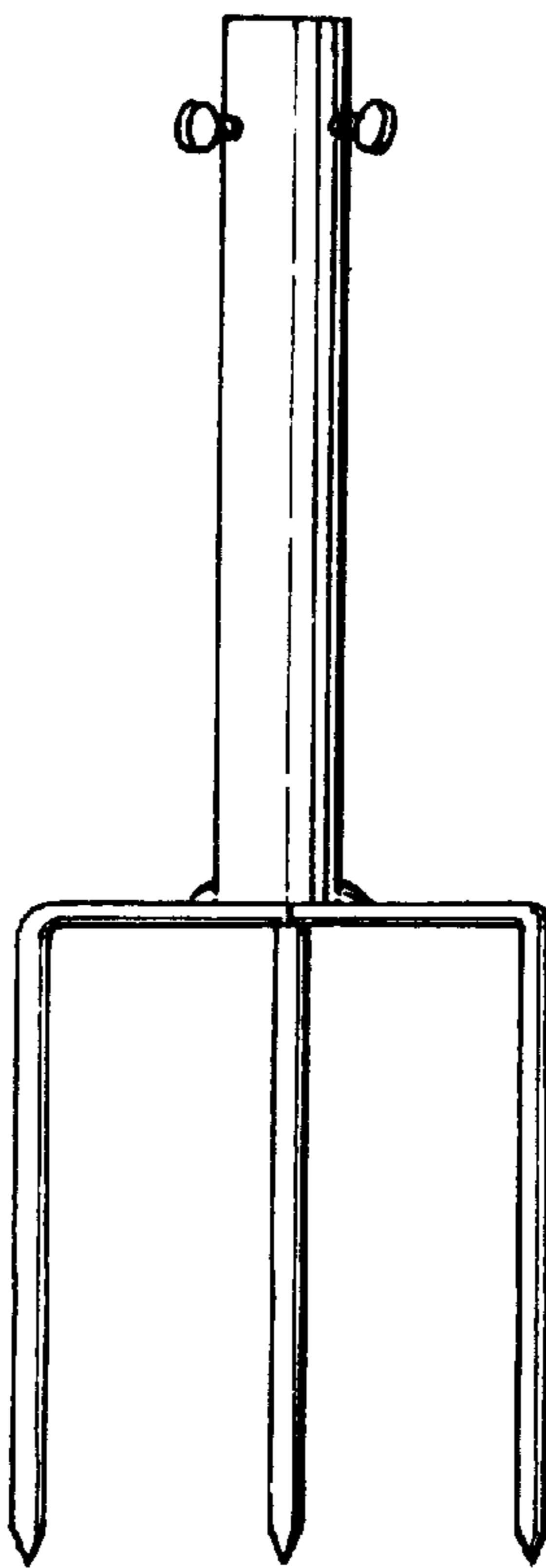


FIG. 2

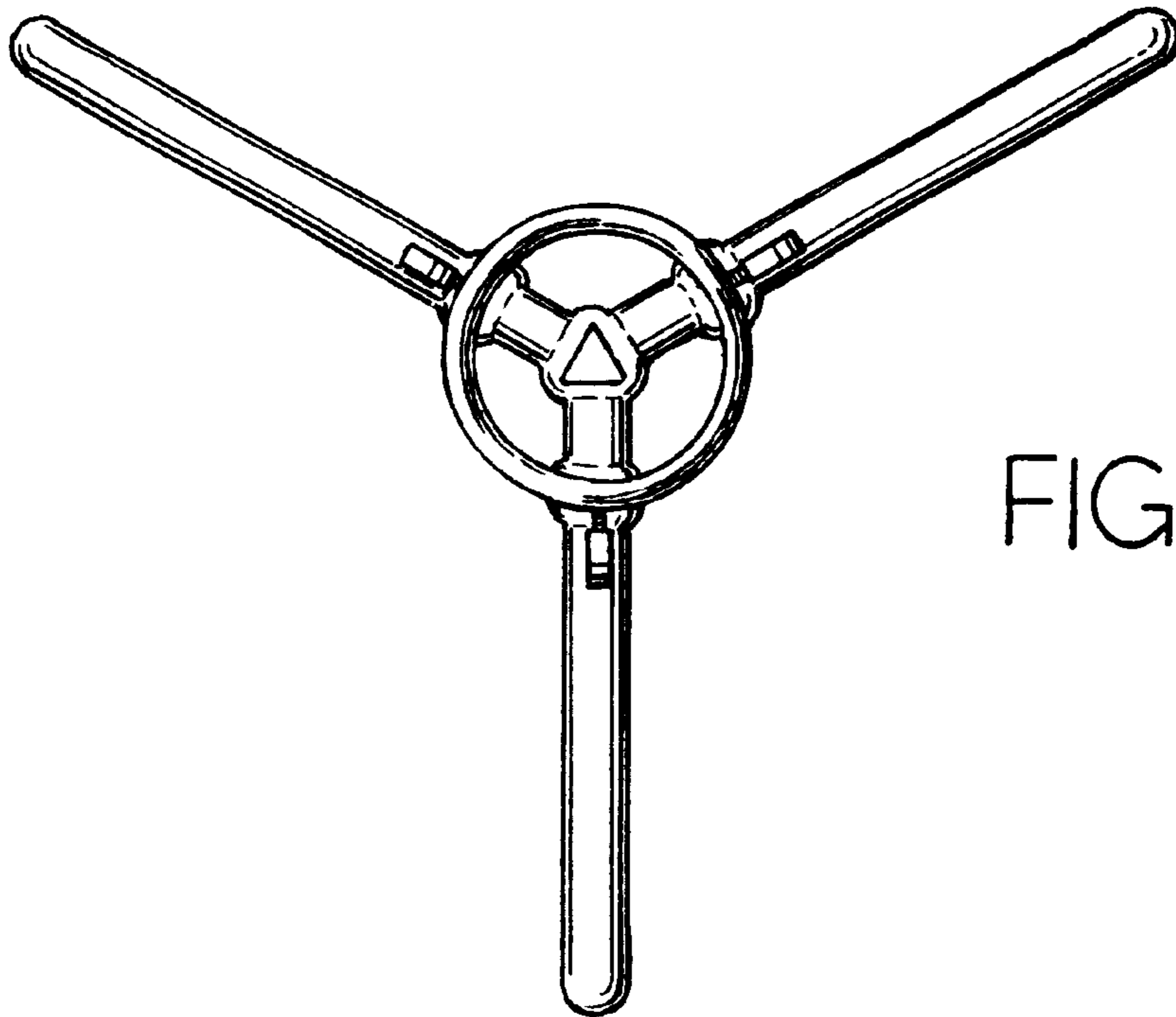


FIG. 3

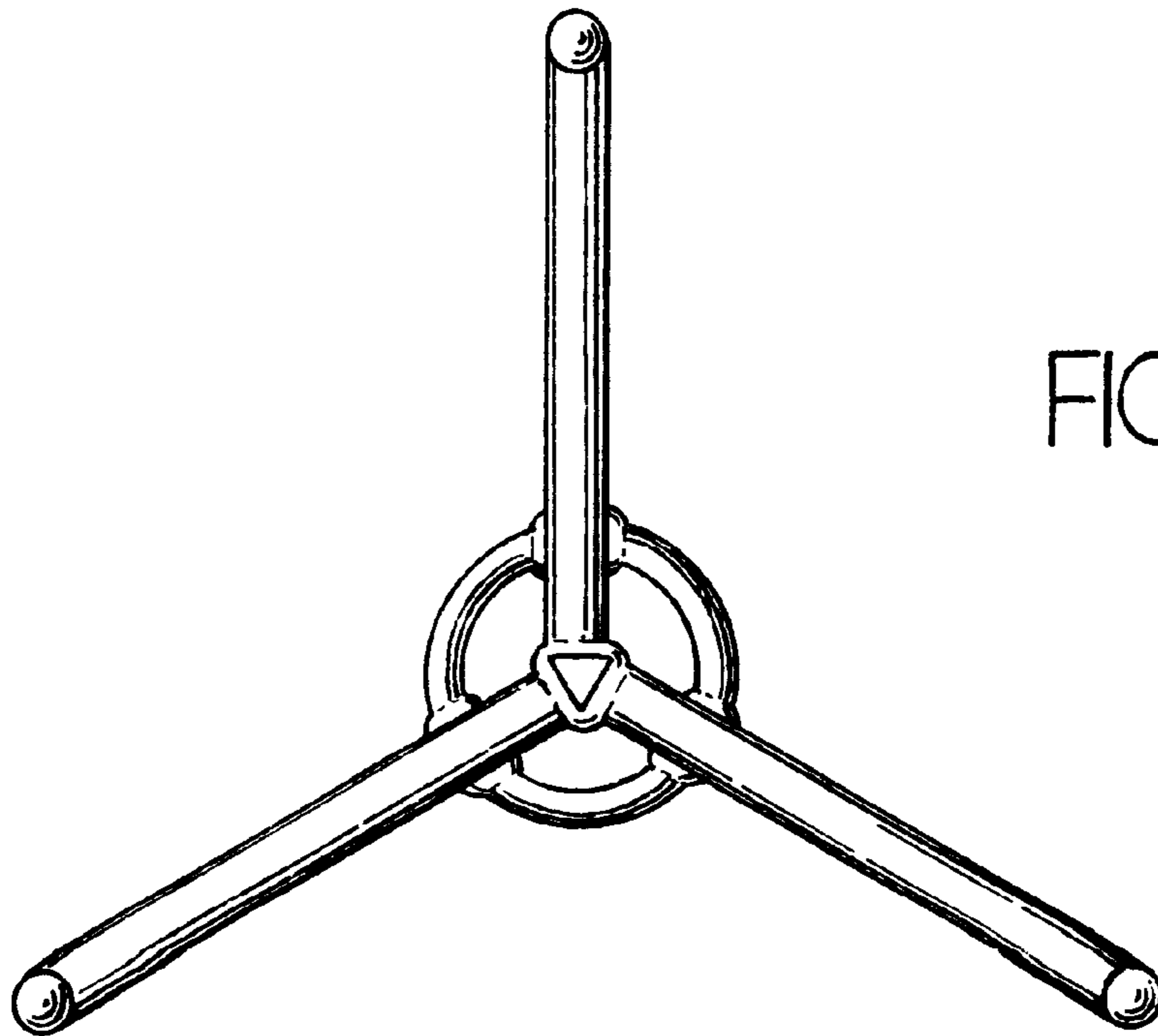


FIG. 4