



US00D442292S

(12) **United States Design Patent**  
**Habeck et al.**

(10) **Patent No.:** **US D442,292 S**

(45) **Date of Patent:** **\*\* May 15, 2001**

(54) **REPLACEMENT GLIDER FRAME FOR DOUBLE GLIDER WINDOW**

(75) Inventors: **Jerome Carl Habeck**, Holt; **Dennis C. Westphal**, Parma, both of MI (US); **David S. Levine**, King of Prussia; **Stanley Gursky**, Yardley, both of PA (US)

(73) Assignee: **CertainTeed Corporation**, Valley Forge, PA (US)

(\* ) Notice: This patent is subject to a terminal disclaimer.

(\*\* ) Term: **14 Years**

(21) Appl. No.: **29/123,891**

(22) Filed: **May 26, 2000**

(51) **LOC (7) Cl.** ..... **25-01**

(52) **U.S. Cl.** ..... **D25/124**

(58) **Field of Search** ..... D25/52, 60, 119-125; 49/DIG. 2, 504, 505, 404, 413, 419, 407-408; 52/204.56, 204.51, 230.3, 205.1, 202, 730.5, 731, 732, 738, 204.5

(56) **References Cited**

**U.S. PATENT DOCUMENTS**

D. 407,506 \* 3/1999 Hersh et al. .... D25/124  
4,028,849 \* 6/1977 Anderson ..... 49/181

\* cited by examiner

*Primary Examiner*—Doris Clark

(74) *Attorney, Agent, or Firm*—Duane Morris & Heckscher LLP

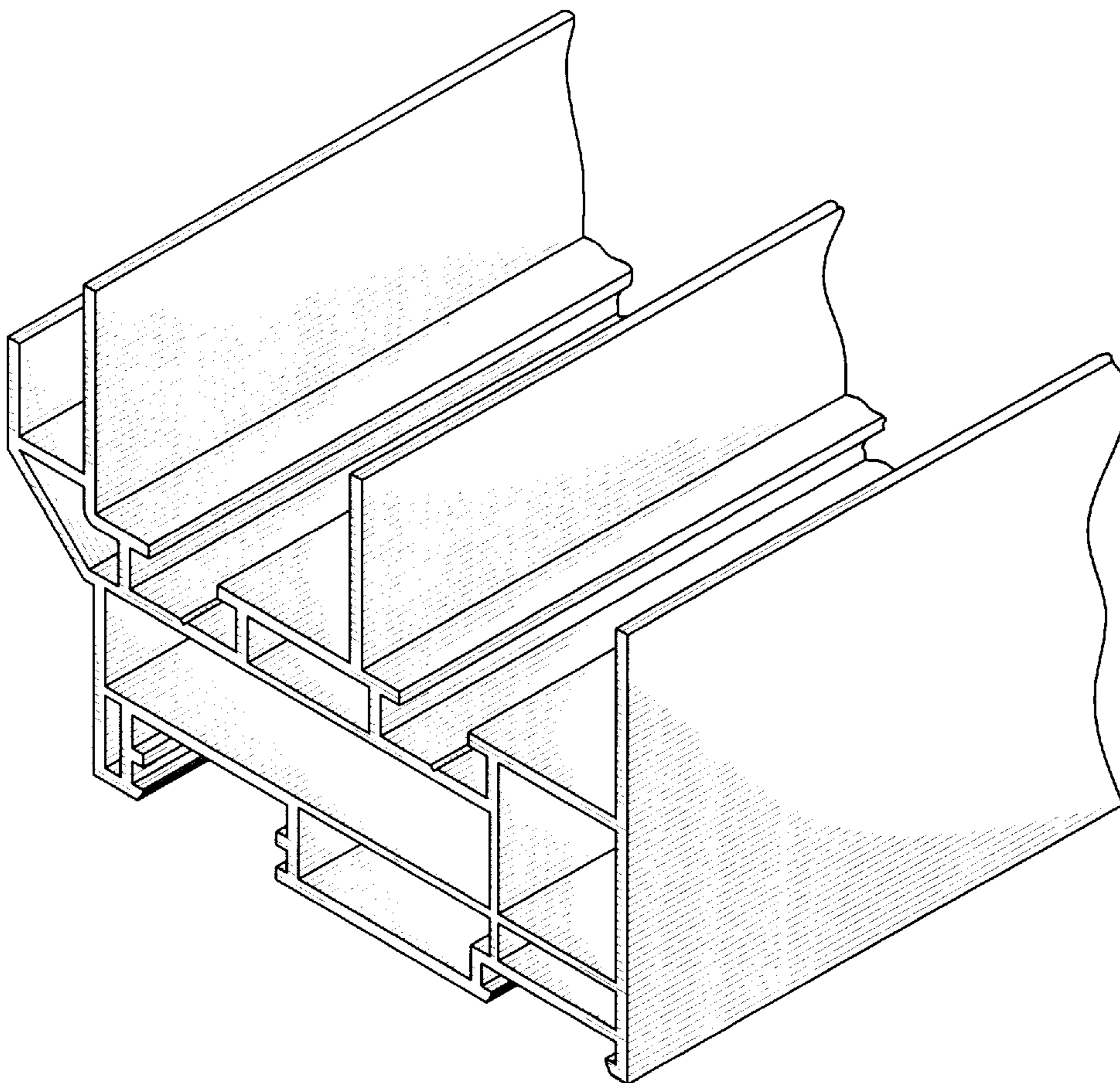
(57) **CLAIM**

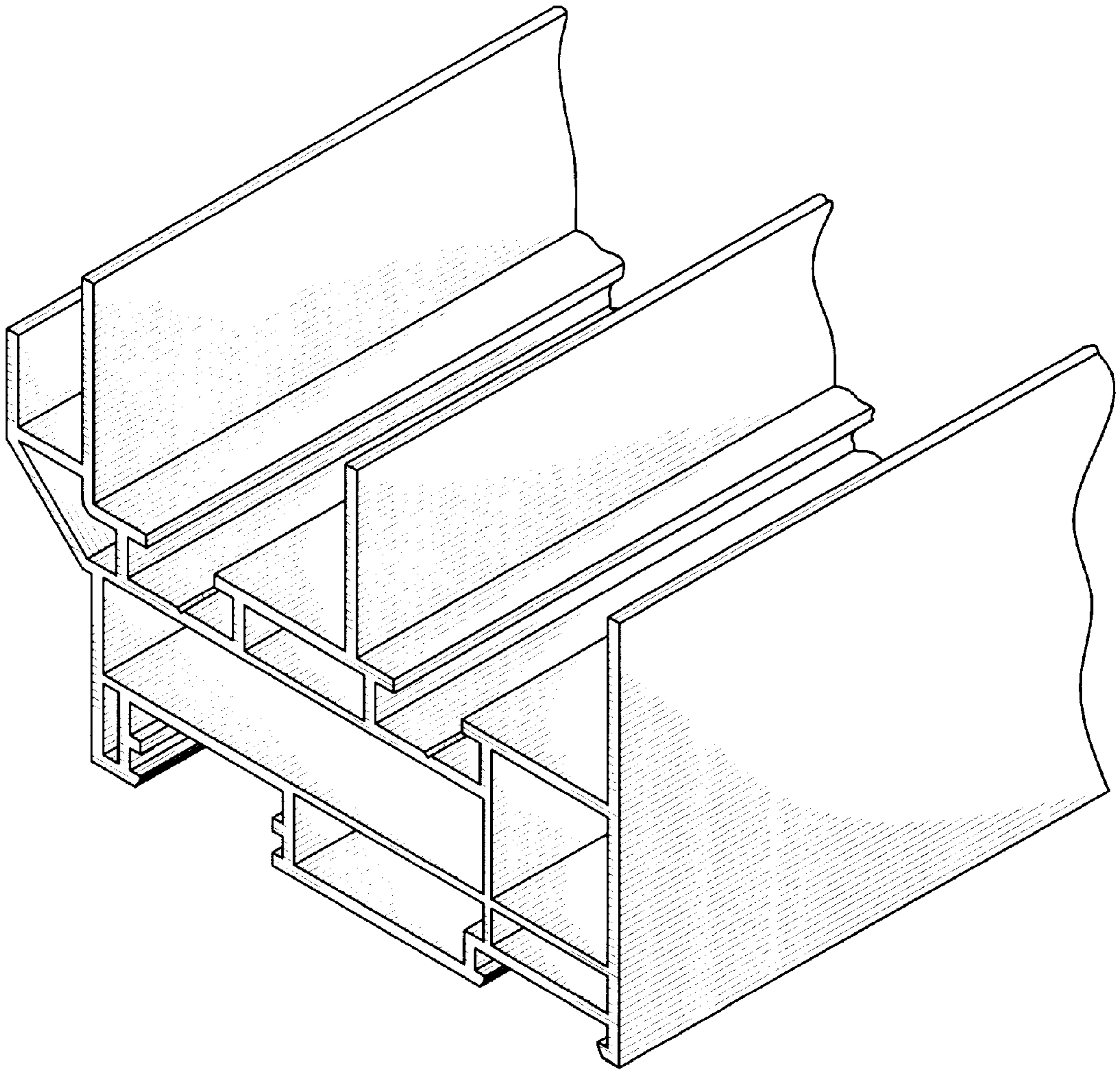
The ornamental design for a replacement glider frame for double glider window, as shown and described.

**DESCRIPTION**

The FIGURE is a front perspective view of a replacement glider frame for double glider window, showing our new design, the rear perspective view being a mirror image thereof, and is shown fragmented indicating indefinite length.

**1 Claim, 1 Drawing Sheet**





THE FIGURE