



US00D442289S

(12) **United States Design Patent**
Ziaylek, Jr. et al.

(10) **Patent No.:** **US D442,289 S**

(45) **Date of Patent:** **** May 15, 2001**

(54) **VERTICAL LADDER MOVABLE TO AN INCLINED POSITION**

4,431,082 * 2/1984 Bott 182/127
6,003,633 * 12/1999 Rolson 182/127

(76) Inventors: **Theodore Ziaylek, Jr.**, 140 Riverview Dr.; **Michael P. Ziaylek**, 15 Cold Spring Ave.; **Theodore P. Ziaylek**, 152 Riverview Ave., all of Yardley, PA (US) 19067

* cited by examiner

Primary Examiner—Doris Clark
(74) *Attorney, Agent, or Firm*—Sperry, Zoda & Kane

(**) Term: **14 Years**

(57) **CLAIM**

The ornamental design for a vertical ladder movable to an inclined position, as shown and described.

(21) Appl. No.: **29/126,544**

DESCRIPTION

(22) Filed: **Jul. 18, 2000**

(51) **LOC (7) Cl.** **25-04**

(52) **U.S. Cl.** **D25/64**

(58) **Field of Search** D25/64; 248/210;
182/179, 21, 22, 23, 127

FIG. 1 is a perspective view of a vertical ladder movable to an inclined position embodying our new design; FIG. 2 is a side elevational view thereof; FIG. 3 is a front elevational view thereof; and, FIG. 4 is a top plan view thereof.

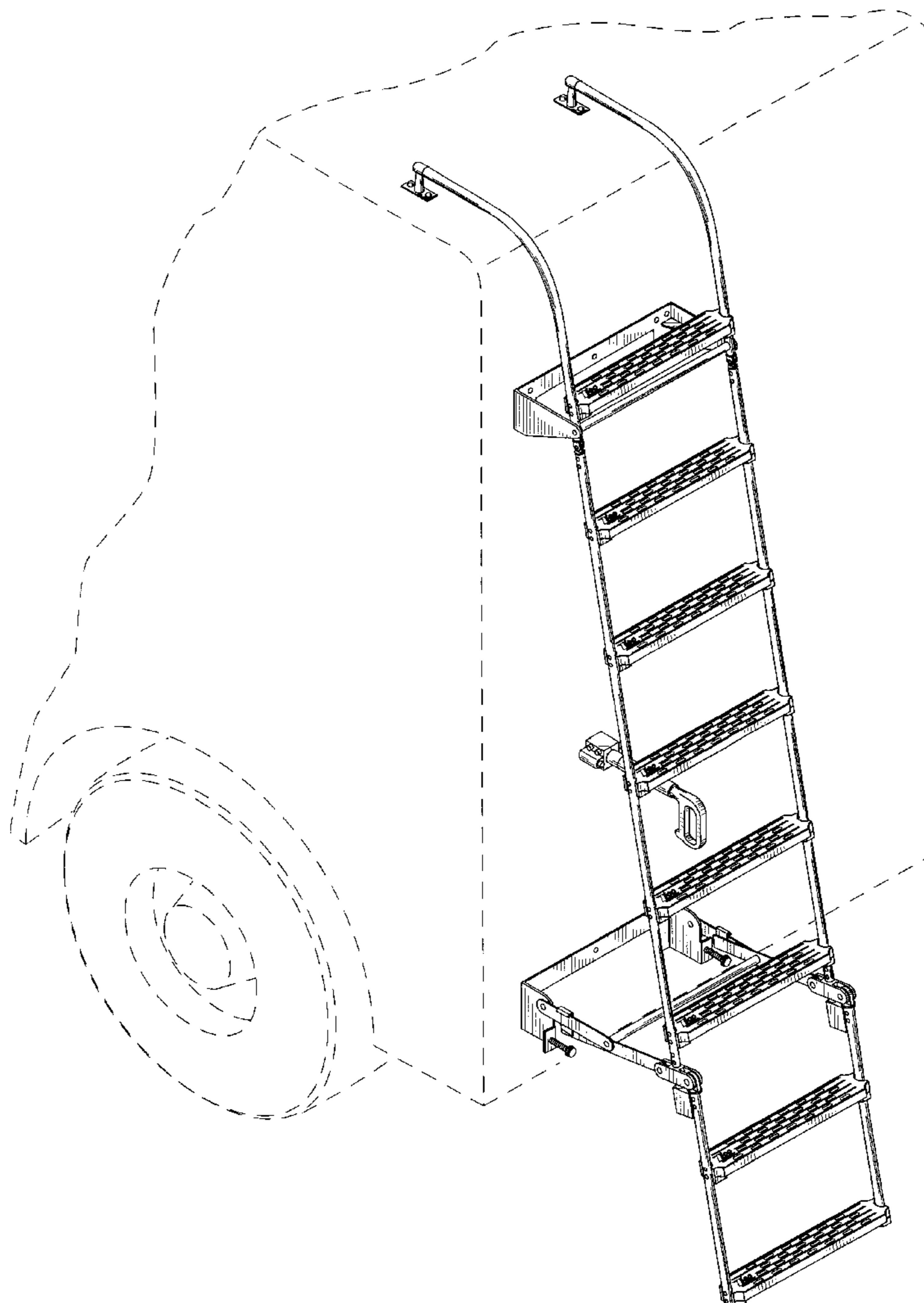
The broken lines are for illustrative purposes only, and form no part of the claimed design.

(56) **References Cited**

U.S. PATENT DOCUMENTS

D. 372,987 * 8/1996 Eason D25/64

1 Claim, 3 Drawing Sheets



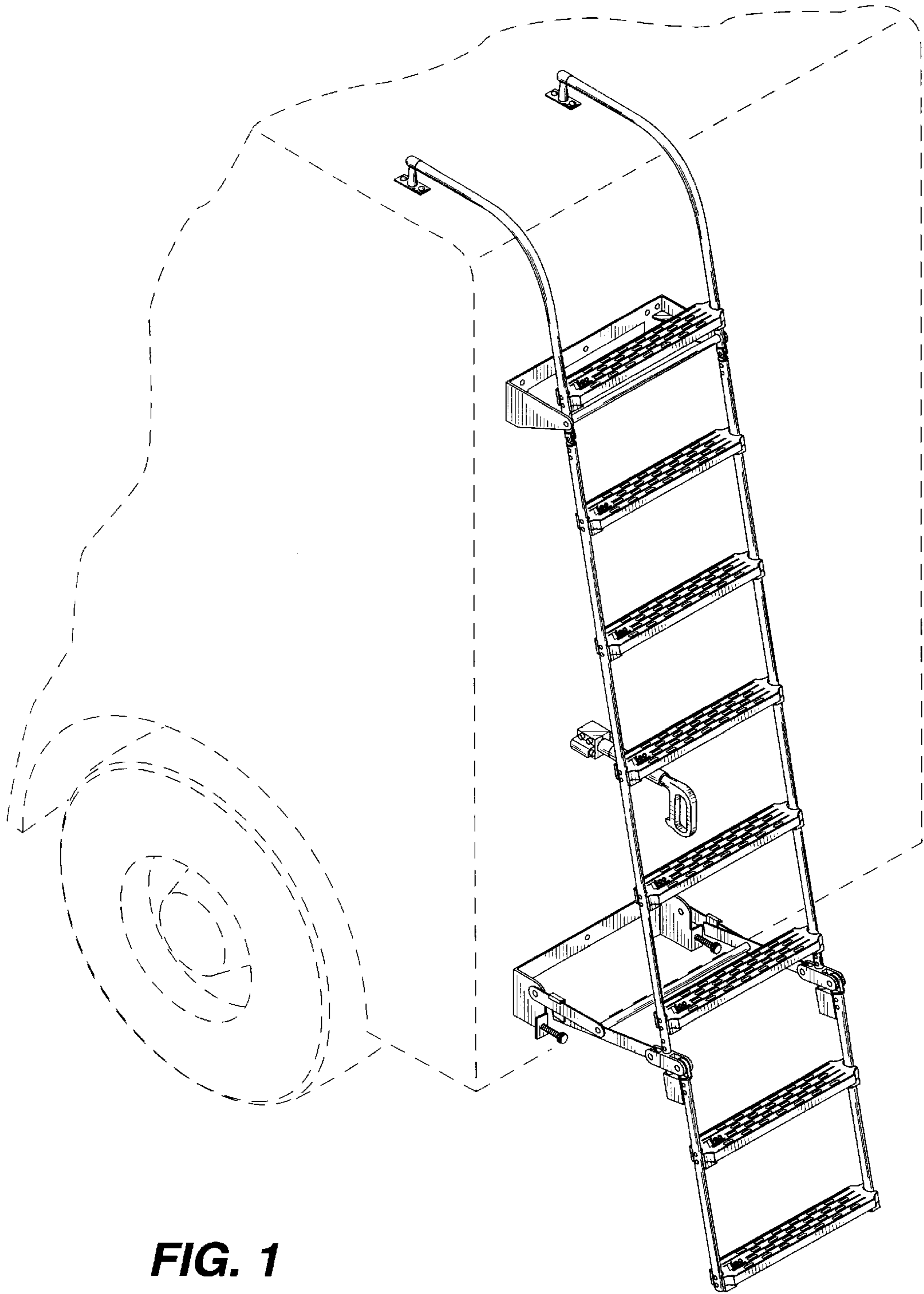


FIG. 1

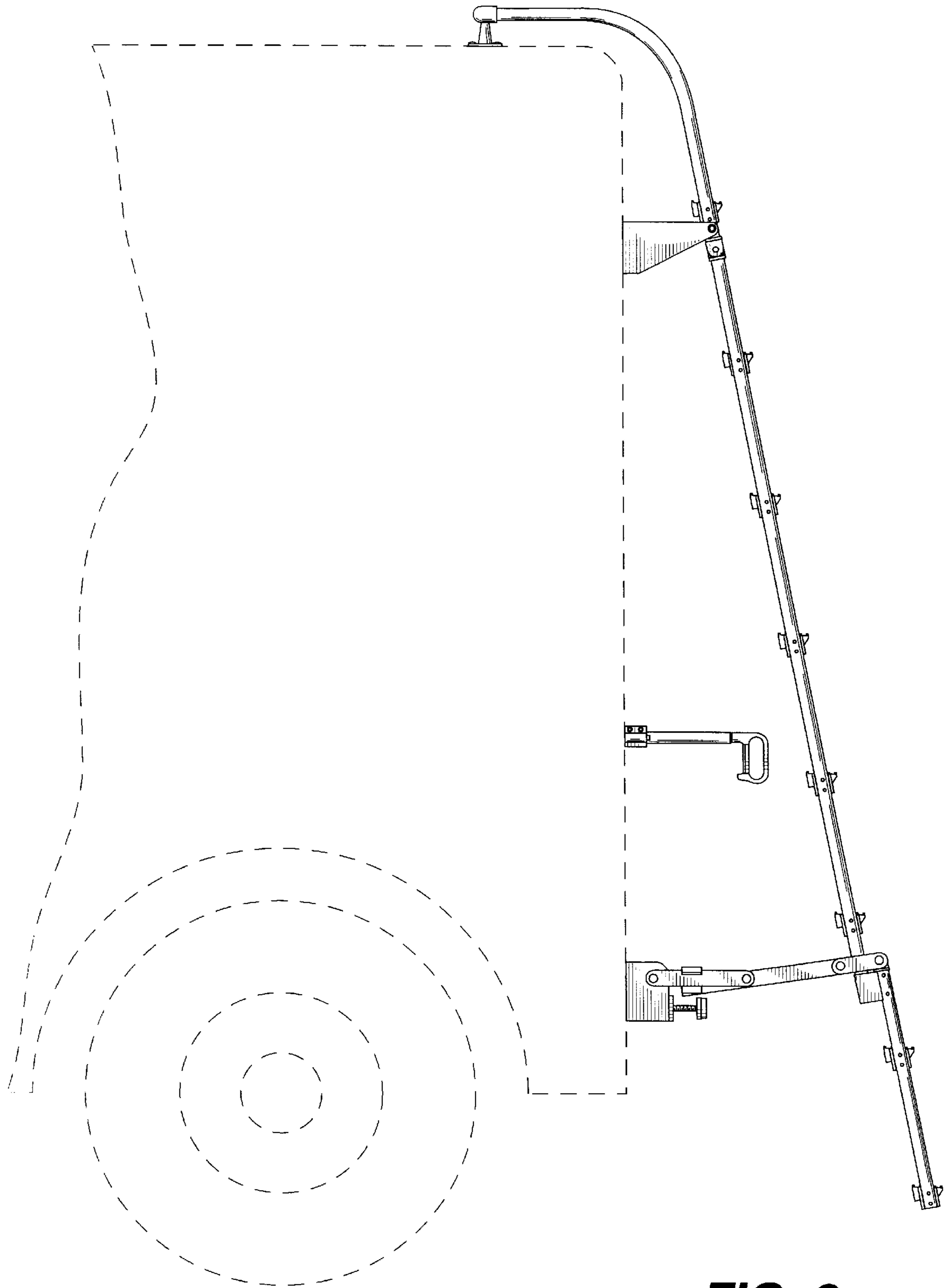


FIG. 2

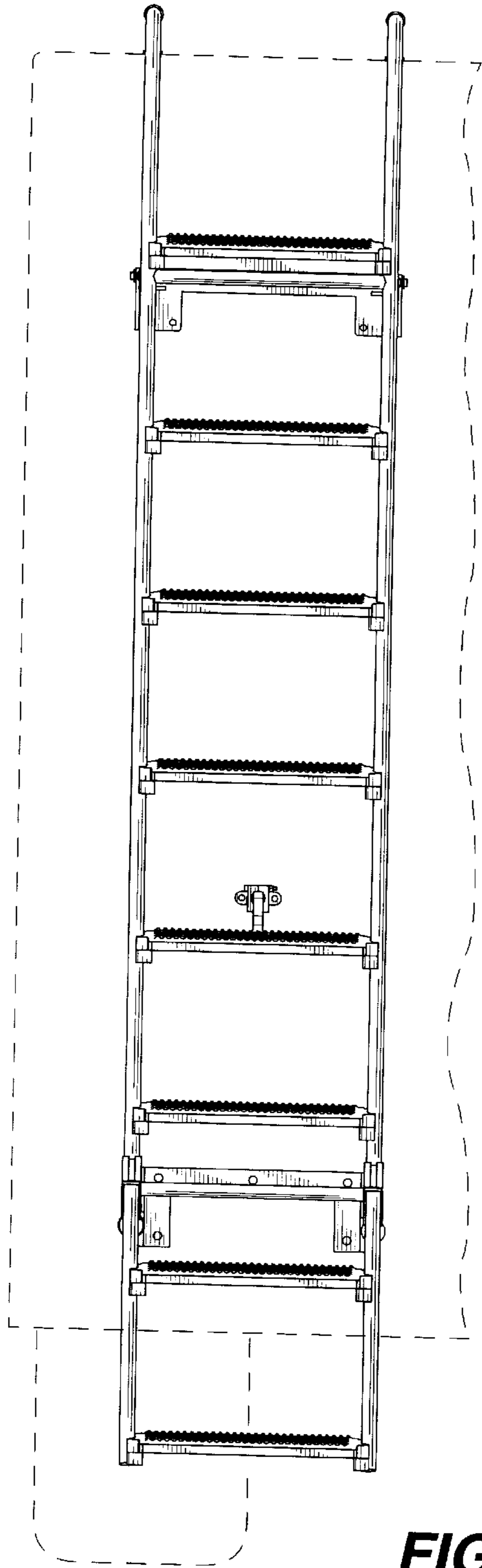


FIG. 3

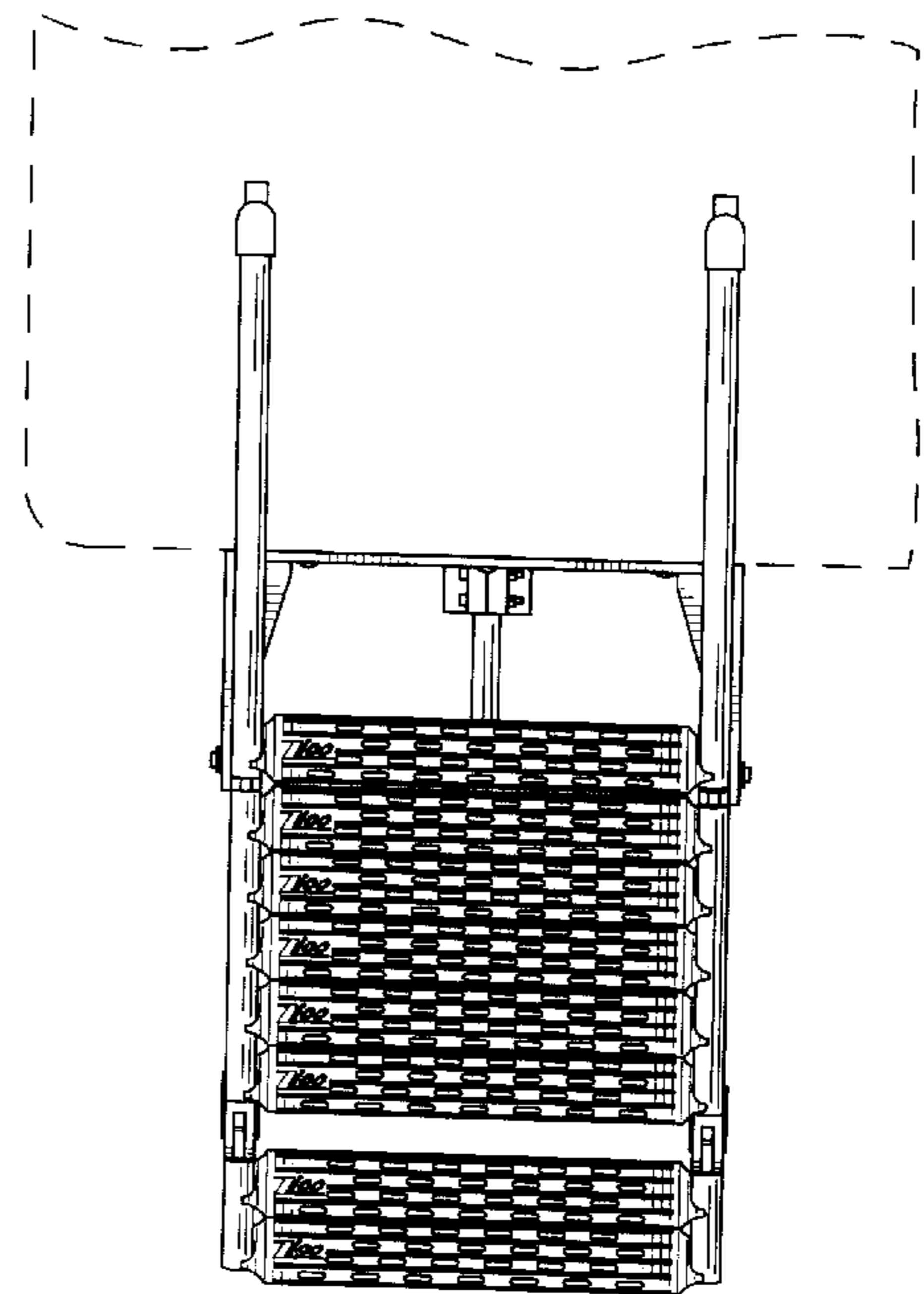


FIG. 4