



US00D442288S

(12) **United States Design Patent**  
**Bloor**

(10) **Patent No.:** **US D442,288 S**

(45) **Date of Patent:** **\*\* May 15, 2001**

(54) **FLOOR POLISHING APPARATUS**

**FOREIGN PATENT DOCUMENTS**

(76) Inventor: **Arhtur James Phillip Bloor**, Unit 2/  
14 King Edward Street, Osborne Park  
WA 6017 (AU)

S-128216 10/1996 (AU) .  
S-128217 10/1996 (AU) .

\* cited by examiner

(\*\*) Term: **14 Years**

*Primary Examiner*—Louis S. Zarfaz  
*Assistant Examiner*—Robert A. Delehanty  
(74) *Attorney, Agent, or Firm*—Fredrikson & Byron

(21) Appl. No.: **29/111,077**

(22) Filed: **Sep. 20, 1999**

(57) **CLAIM**

(30) **Foreign Application Priority Data**

The ornamental design for a floor polishing apparatus, as shown and described.

Mar. 19, 1999 (AU) ..... 852/1999

(51) **LOC (7) Cl.** ..... **15-05**

(52) **U.S. Cl.** ..... **D25/19**

(58) **Field of Search** ..... D32/1, 15, 19,  
D32/20, 25; D4/102; 15/49.1, 50.1, 50.3,  
52.1

**DESCRIPTION**

(56) **References Cited**

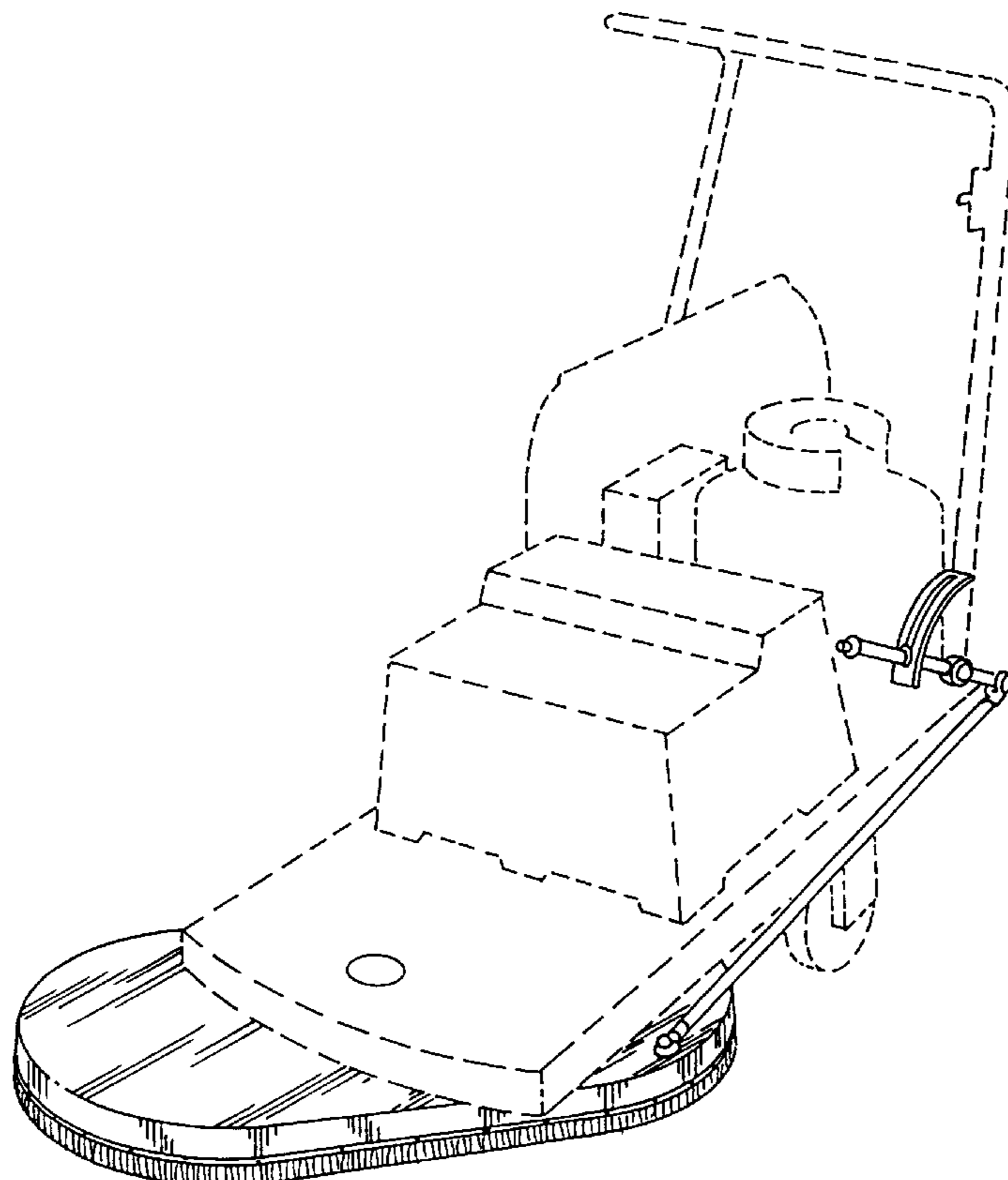
**U.S. PATENT DOCUMENTS**

- D. 87,851 \* 9/1932 Myers ..... D32/19
- D. 296,250 \* 6/1988 Genovese ..... D32/19
- 4,071,920 \* 2/1978 Block ..... 15/52.1
- 4,490,873 \* 1/1985 Stratton ..... 15/50.1
- 4,742,652 \* 5/1988 Cannan et al. .... 15/49.1
- 5,279,672 \* 1/1994 Betker et al. .... 15/49.1
- 5,605,493 \* 2/1997 Donatelli et al. .... 15/49.1

FIG. 1 is a top, side perspective view of a floor polishing apparatus showing my new design;  
FIG. 2 is a top, side perspective view of the floor polishing apparatus shown in an alternate position of use;  
FIG. 3 is a left elevation side view thereof;  
FIG. 4 is a right elevation side view thereof;  
FIG. 5 is a top plan view thereof;  
FIG. 6 is a bottom plan view thereof; and,  
FIG. 7 is a bottom pespective view thereof.

The broken line showing a floor polishing machine is for illustrative purposes only and forms no part of the claimed design.

**1 Claim, 5 Drawing Sheets**



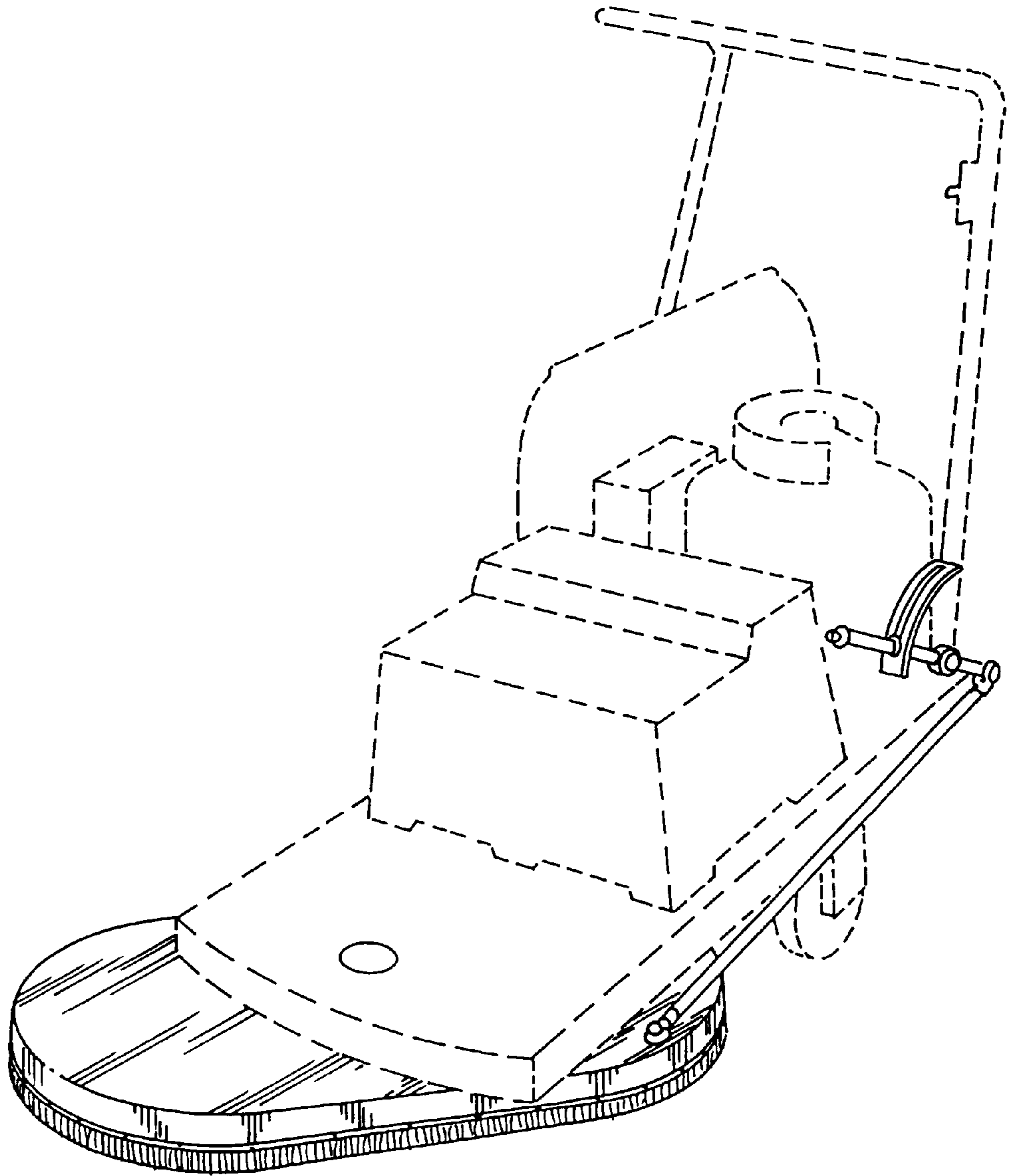


FIG.1

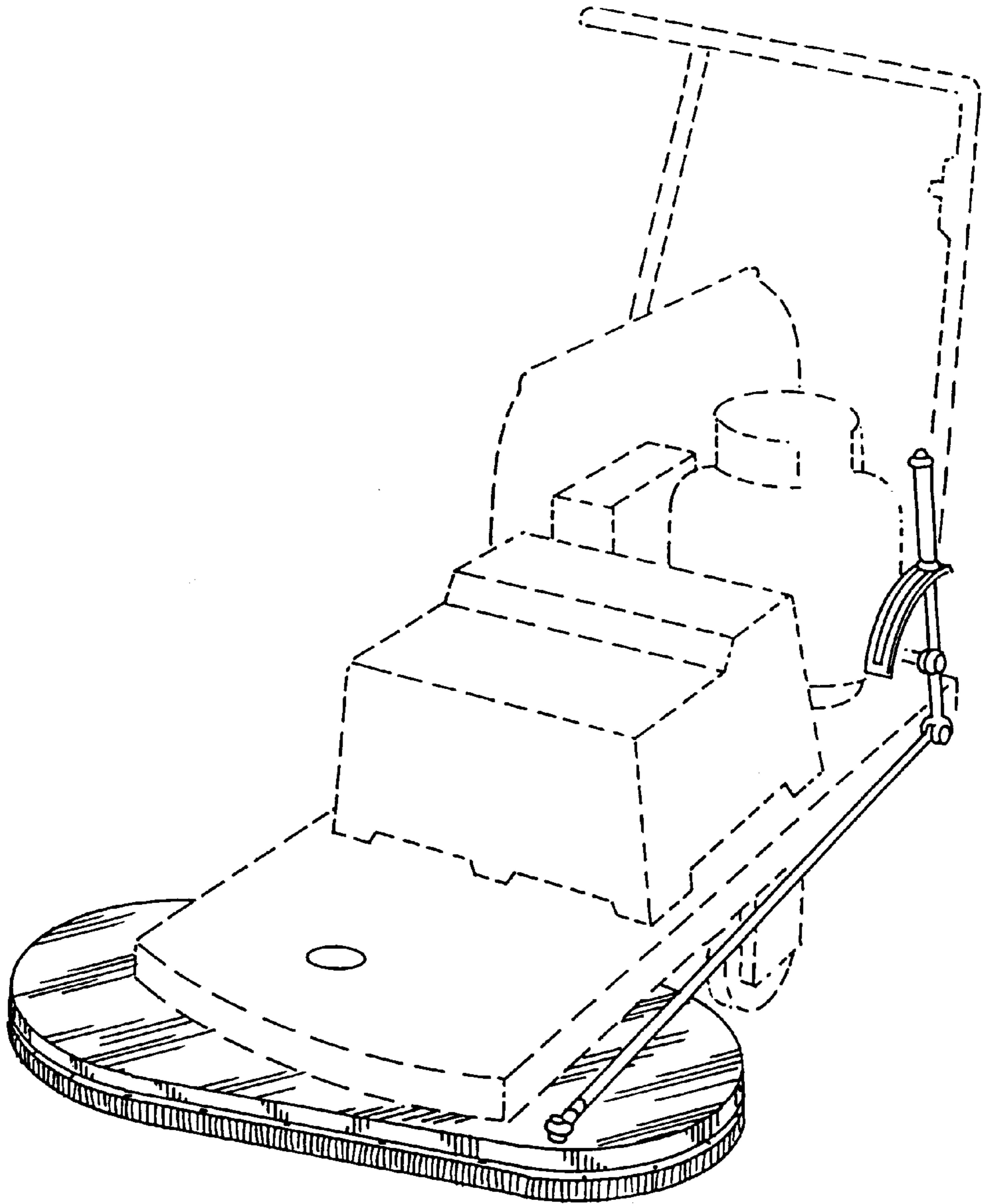


FIG.2

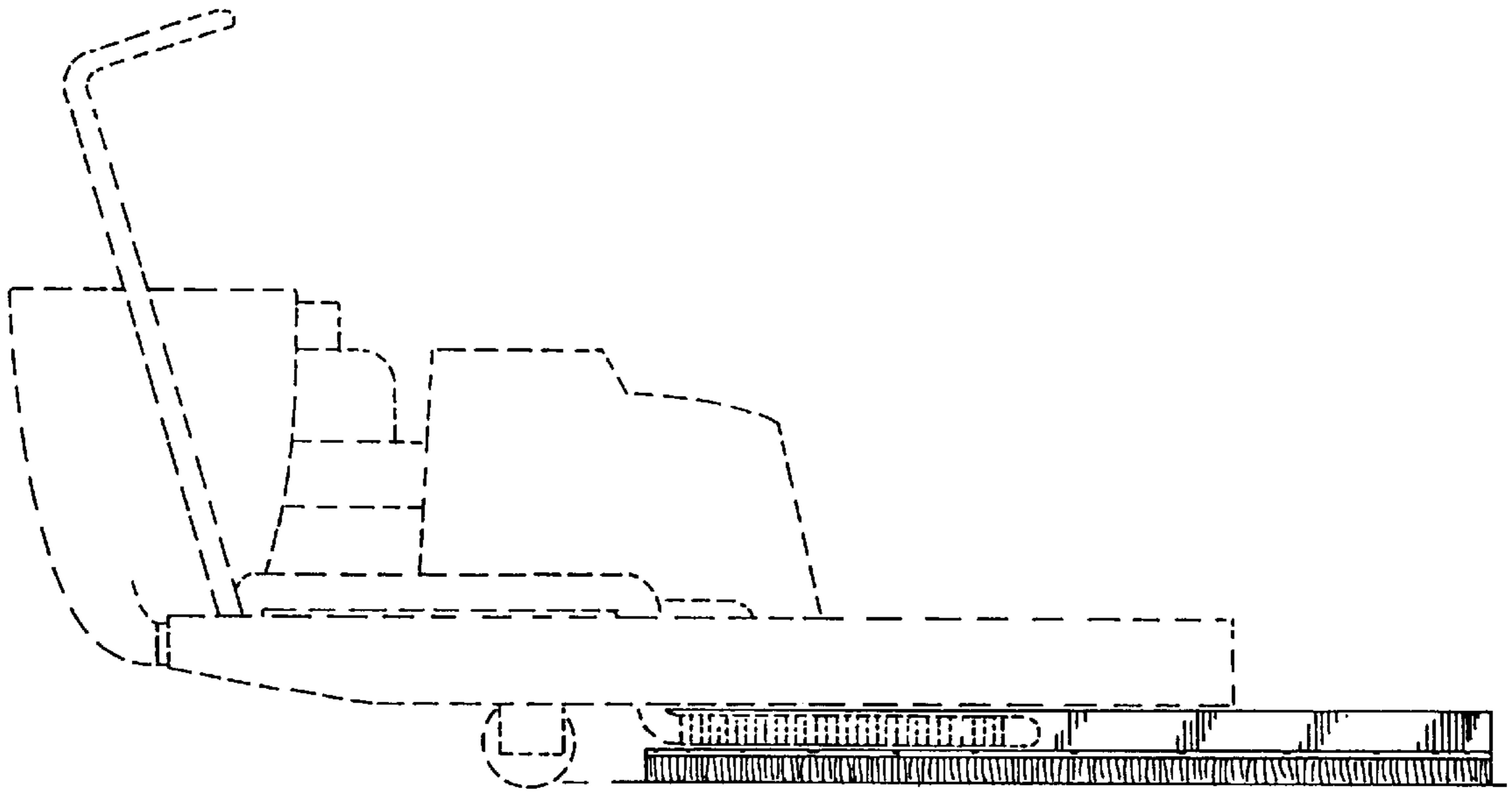


FIG. 3

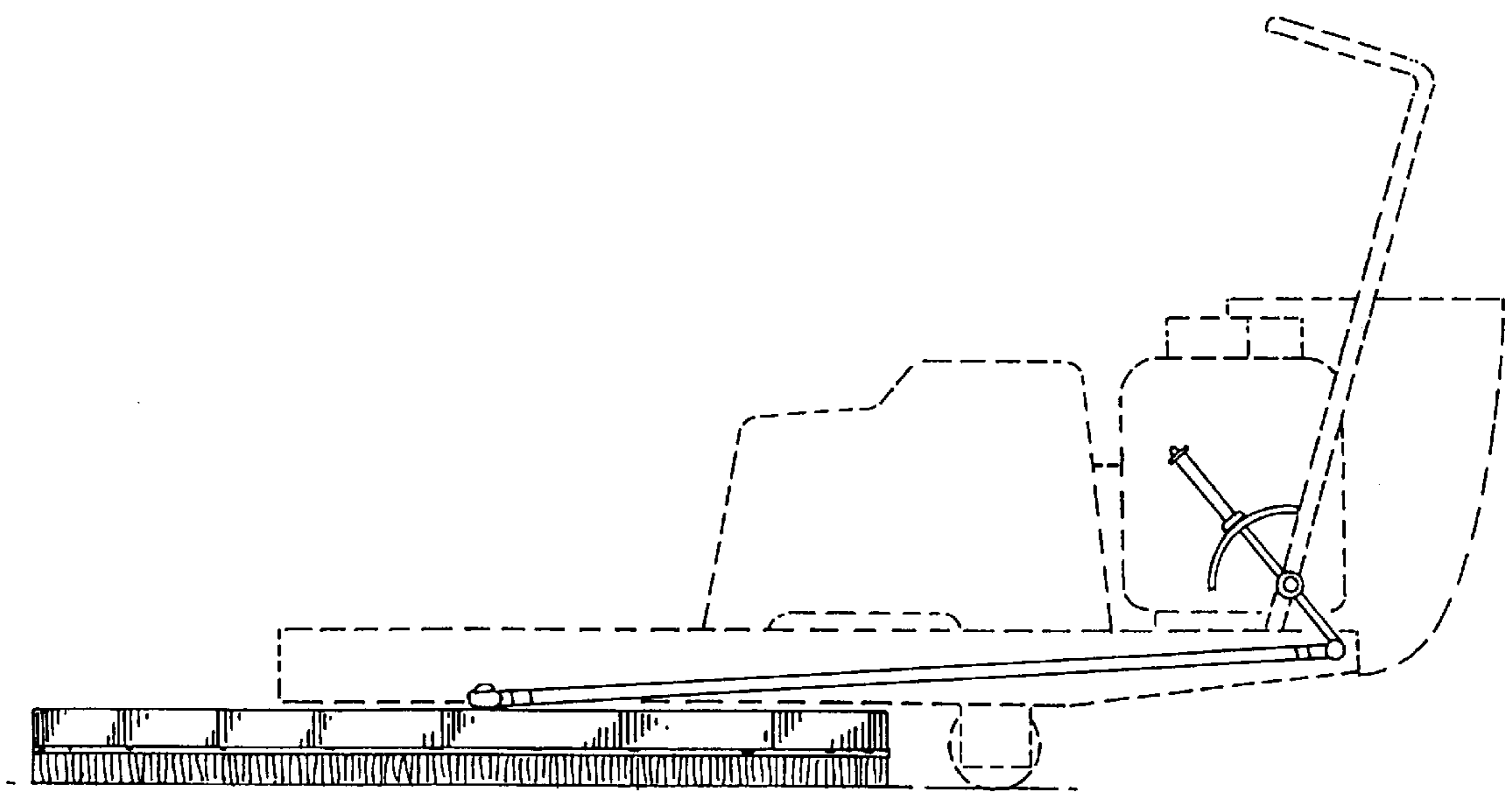


FIG. 4

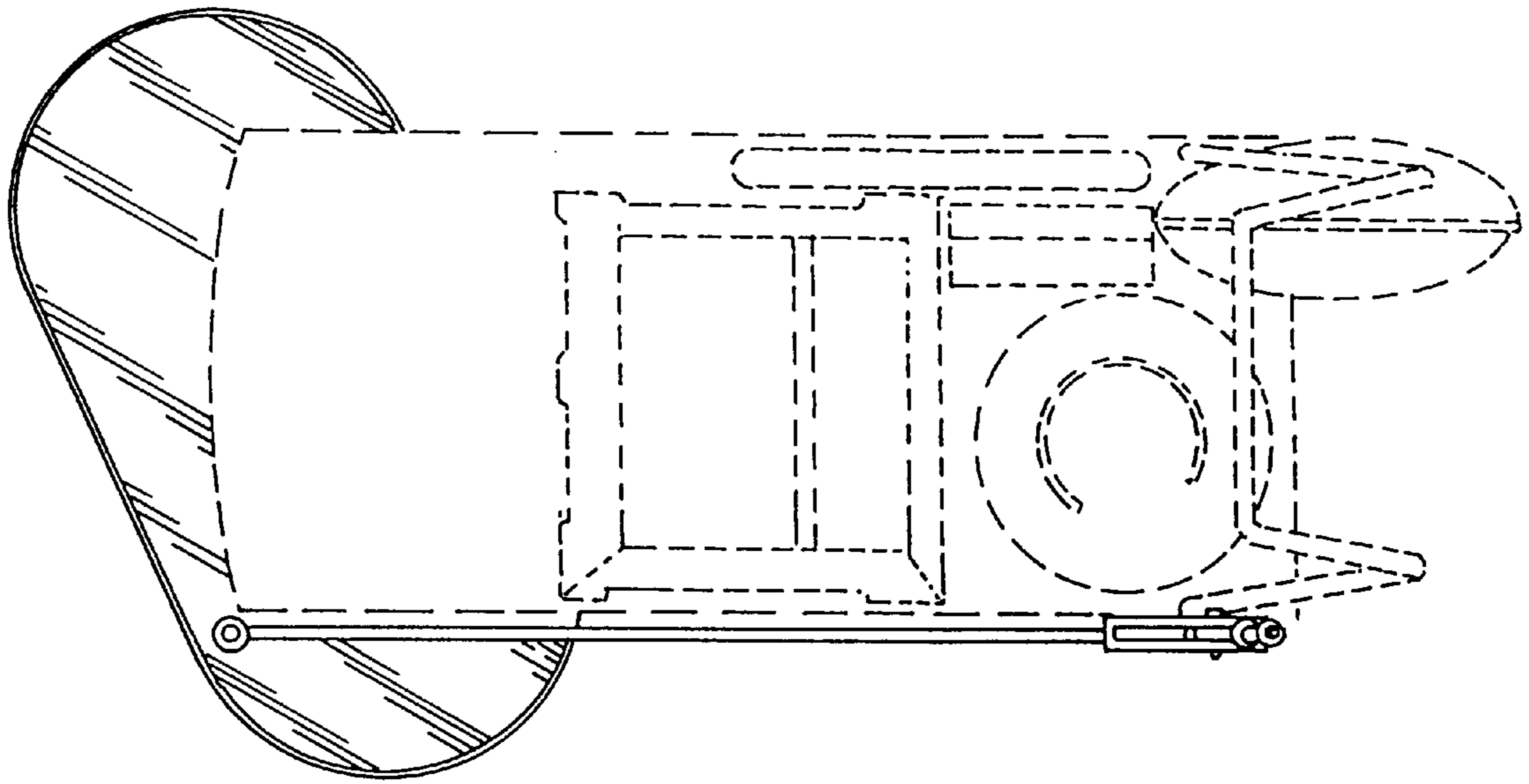


FIG.5

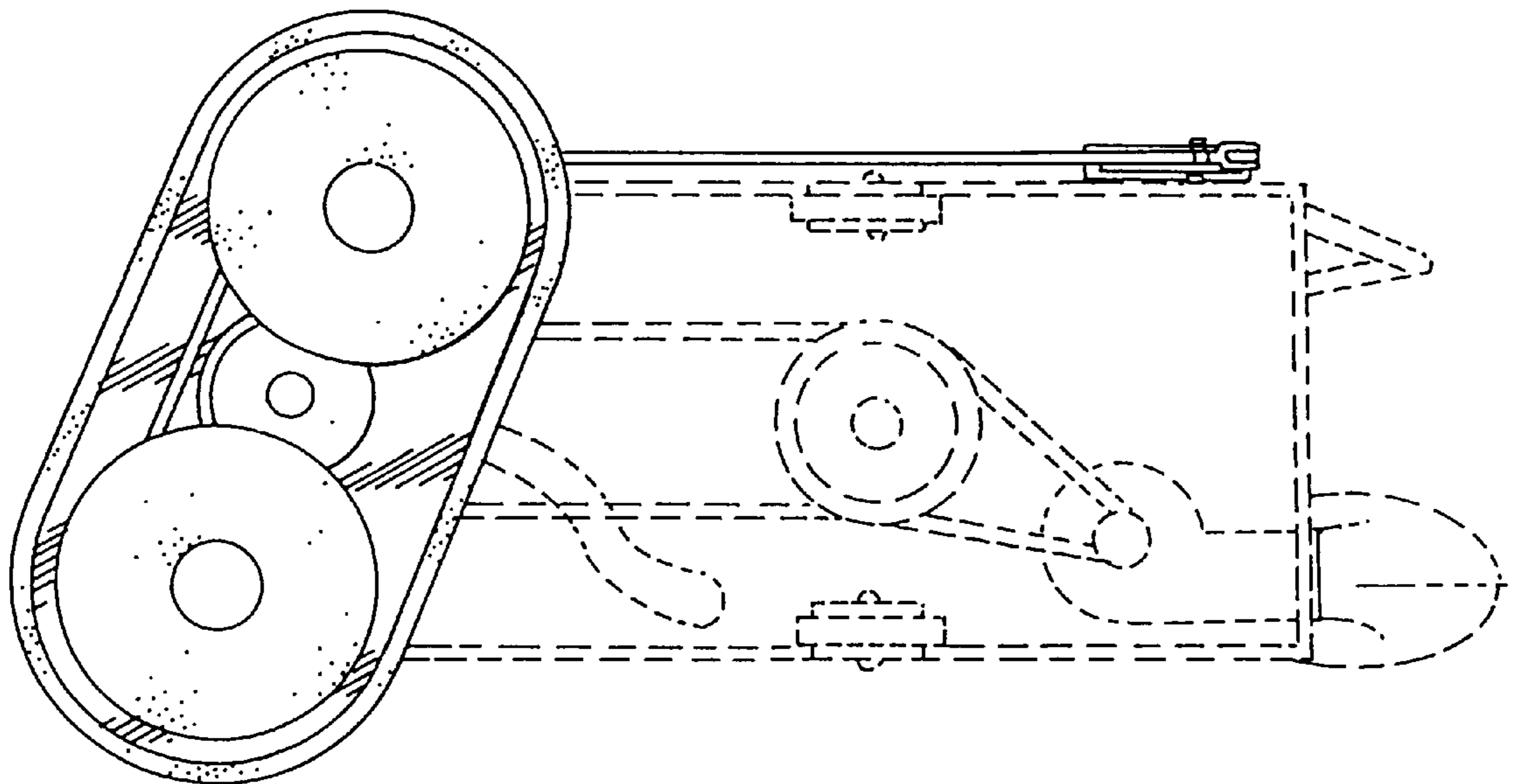


FIG.6

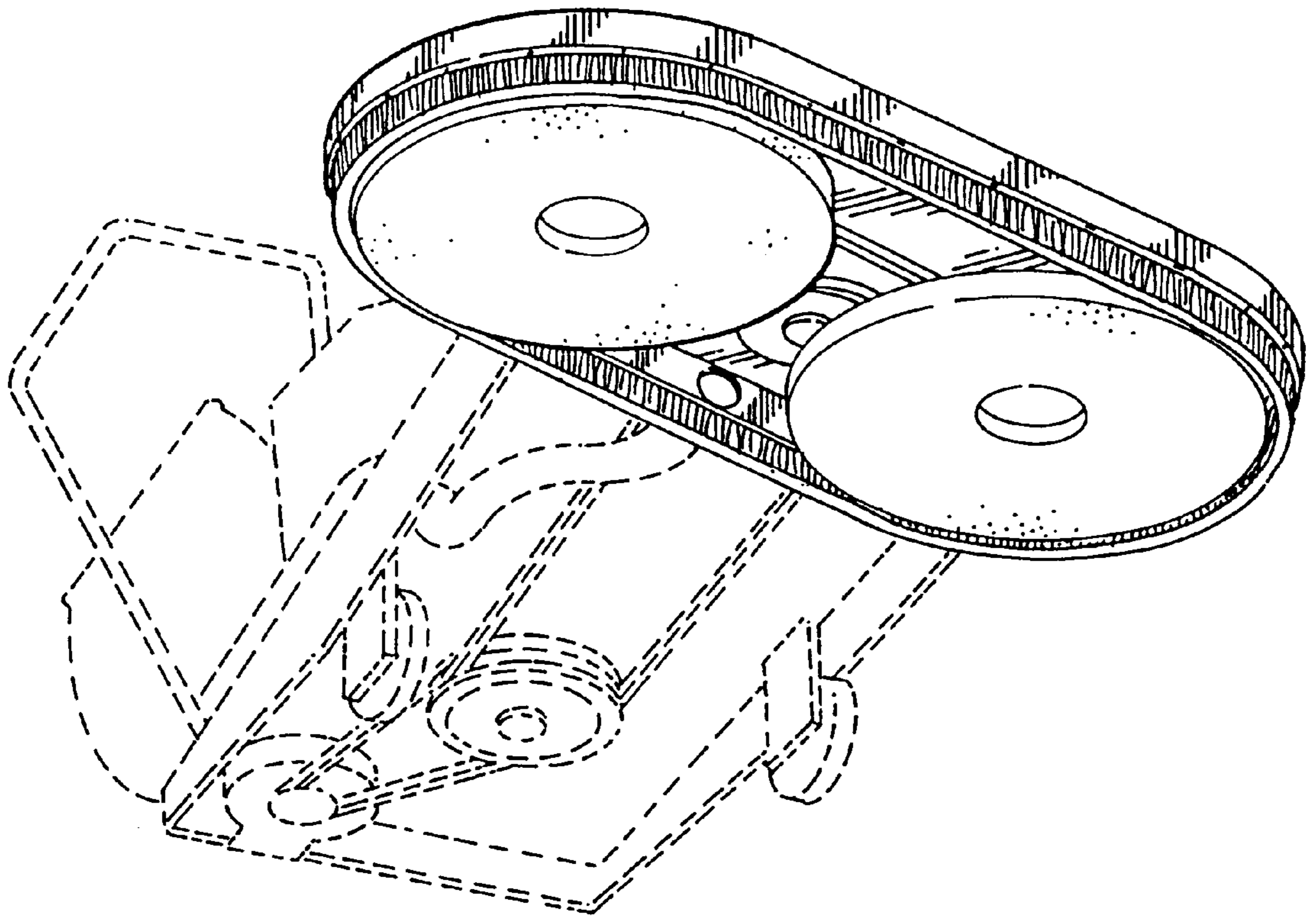


FIG.7