



US00D442284S

(12) **United States Design Patent**  
**Ferber**

(10) **Patent No.:** **US D442,284 S**

(45) **Date of Patent:** **\*\* May 15, 2001**

(54) **HAND PARAFFIN BATH**

**OTHER PUBLICATIONS**

(75) Inventor: **Roman S. Ferber**, W. Bloomfield, MI (US)

(73) Assignee: **Homedics, Inc.**, Commerce Township, MI (US)

(\*\*) Term: **14 Years**

(21) Appl. No.: **29/132,093**

(22) Filed: **Nov. 1, 2000**

(51) **LOC (7) Cl.** ..... **24-04**

(52) **U.S. Cl.** ..... **D24/200**

(58) **Field of Search** ..... D24/200, 204;  
607/96, 104, 108, 111; 604/291; D28/56,  
61

TheraBath® Paraffin Wax Therapy for arthritis, bursitis, tendonitis, www.1rehab.com/paraffin/index.htm, May 23, 2000, pp. 1-3.

Remington Products, Hand Care, www.remington-products.com/products/spatherapy/ahdn.html, May 23, 2000, pp. 1-3.

Photographs of Gena Paraffin Bath Product, pp. 1-2.

\* cited by examiner

*Primary Examiner*—Stella Reid

(74) *Attorney, Agent, or Firm*—Brooks & Kushman PC

(57) **CLAIM**

The ornamental design for a hand paraffin bath, as shown and described.

**DESCRIPTION**

FIG. 1 is perspective view of my new design; FIG. 2 is a front elevation view of my new design; FIG. 3 is a right-side elevation view of my new design; FIG. 4 is a rear elevation view of my new design; FIG. 5 is a left-side elevation view of my new design; FIG. 6 is a top plan view of my new design; and, FIG. 7 is a bottom plan view of my new design. The broken line showing the electrical cord and plug in FIG. 7 is for illustrative purposes only and forms no part of the claimed design.

(56) **References Cited**

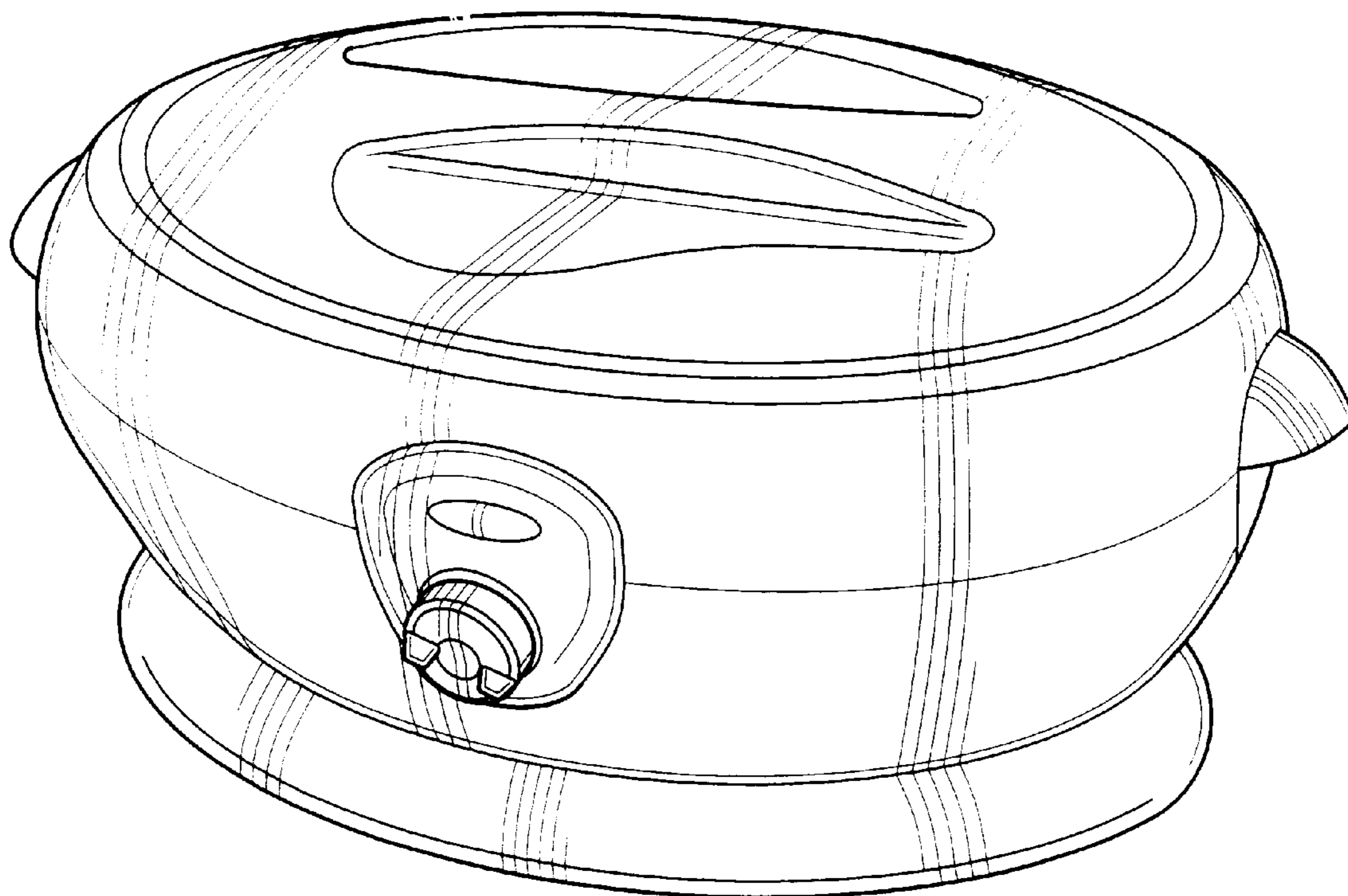
**U.S. PATENT DOCUMENTS**

3,157,774	*	11/1964	Moore et al.	607/114
4,632,115		12/1986	Bernardini .	
4,696,303		9/1987	Bernardini .	
4,782,835	*	11/1988	Bernardini	607/114
4,880,415		11/1989	Urakami .	
4,967,061		10/1990	Weber, Jr. et al. .	
5,674,268		10/1997	Riazi .	

**FOREIGN PATENT DOCUMENTS**

61-65815		4/1986	(JP) .
11-56893		3/1999	(JP) .

**1 Claim, 4 Drawing Sheets**



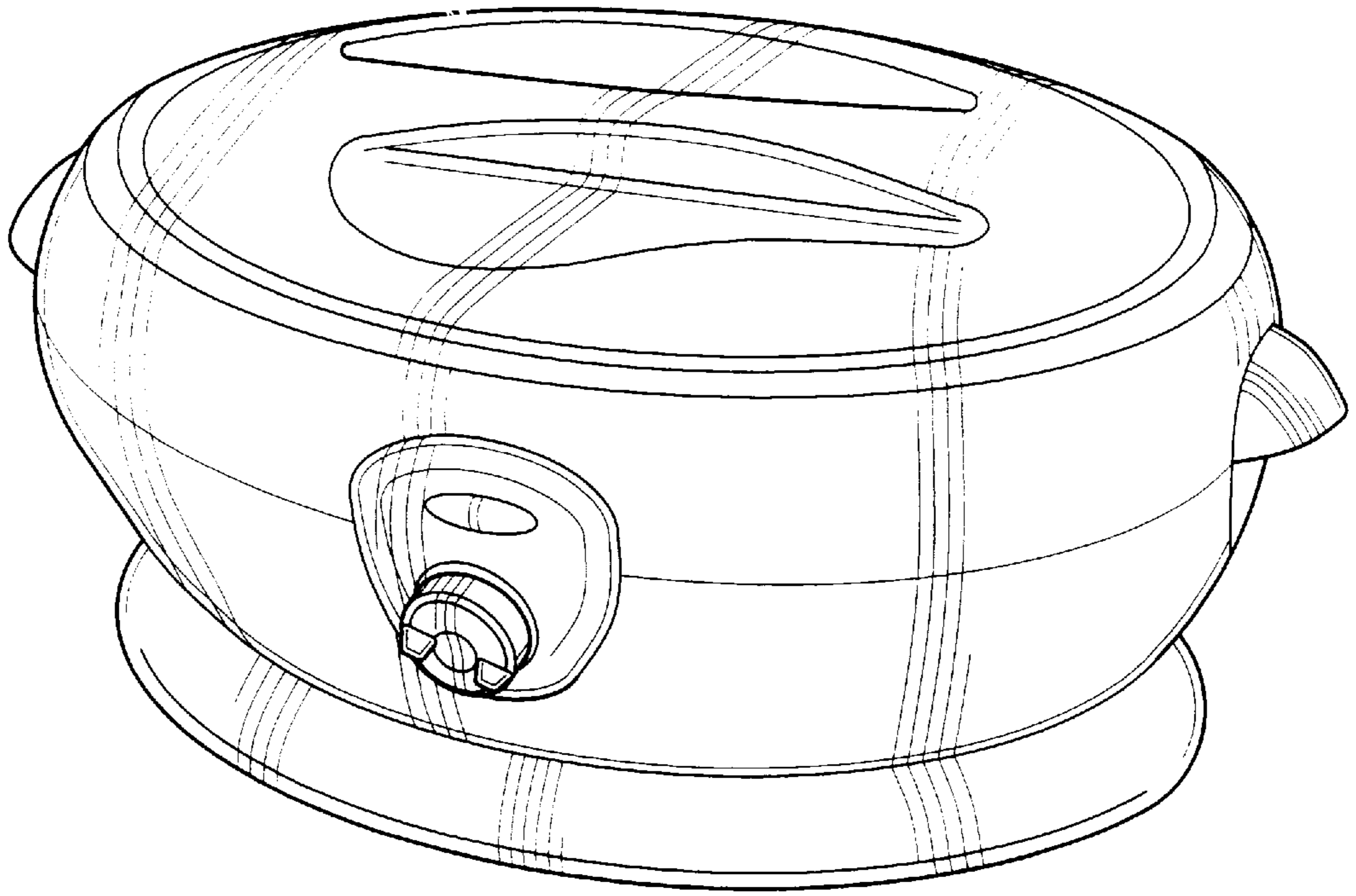


Fig-1

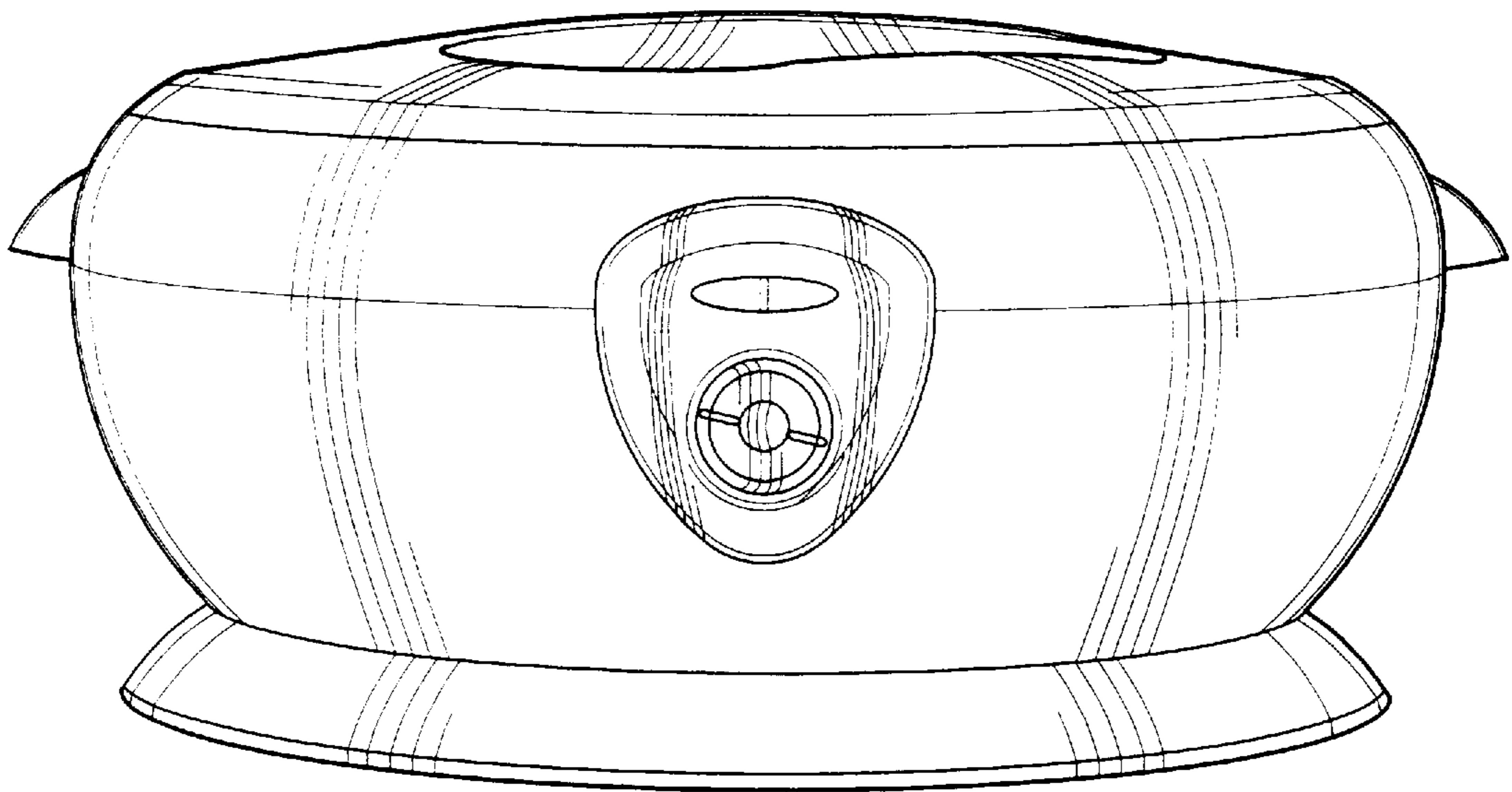


Fig-2

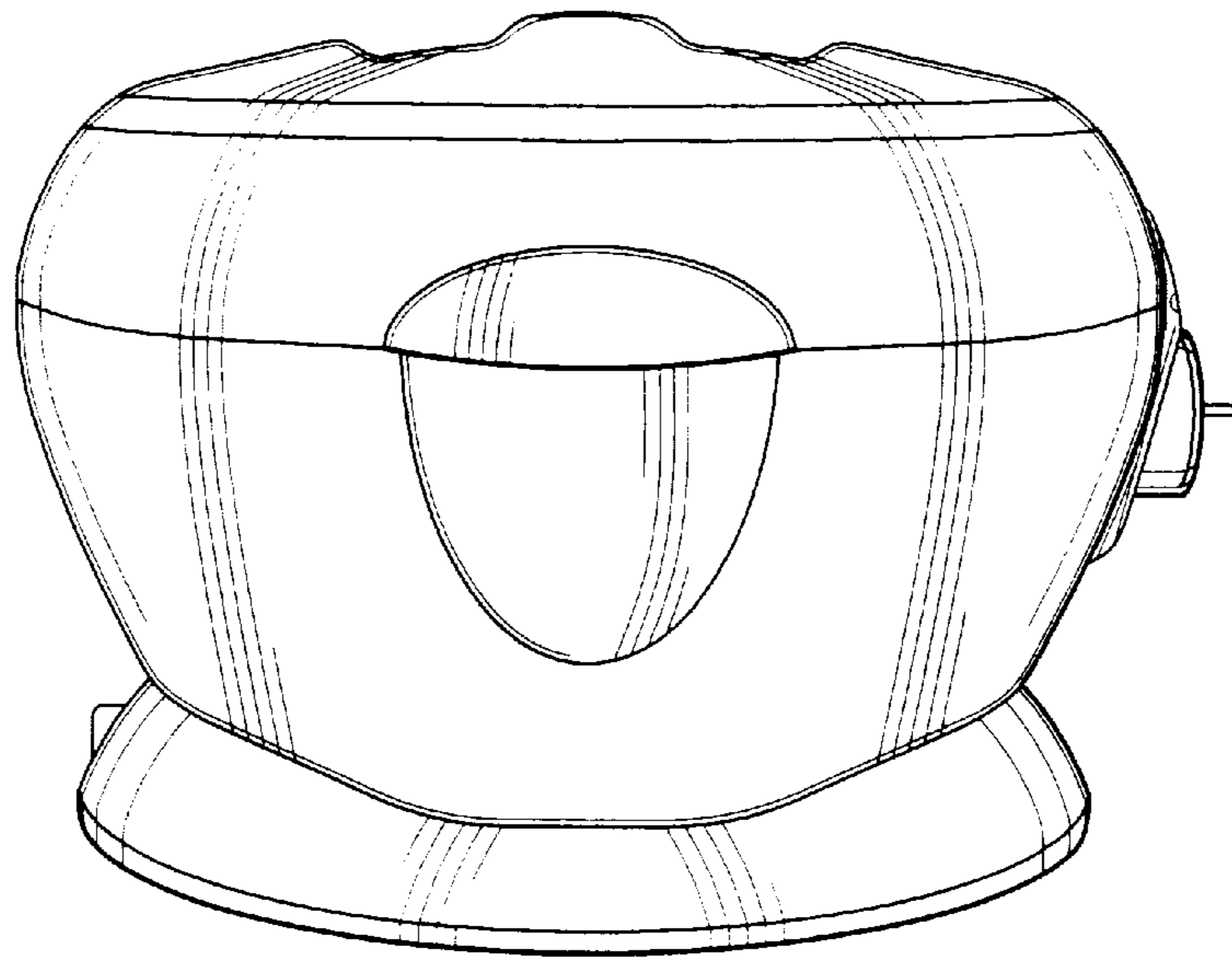


Fig-3

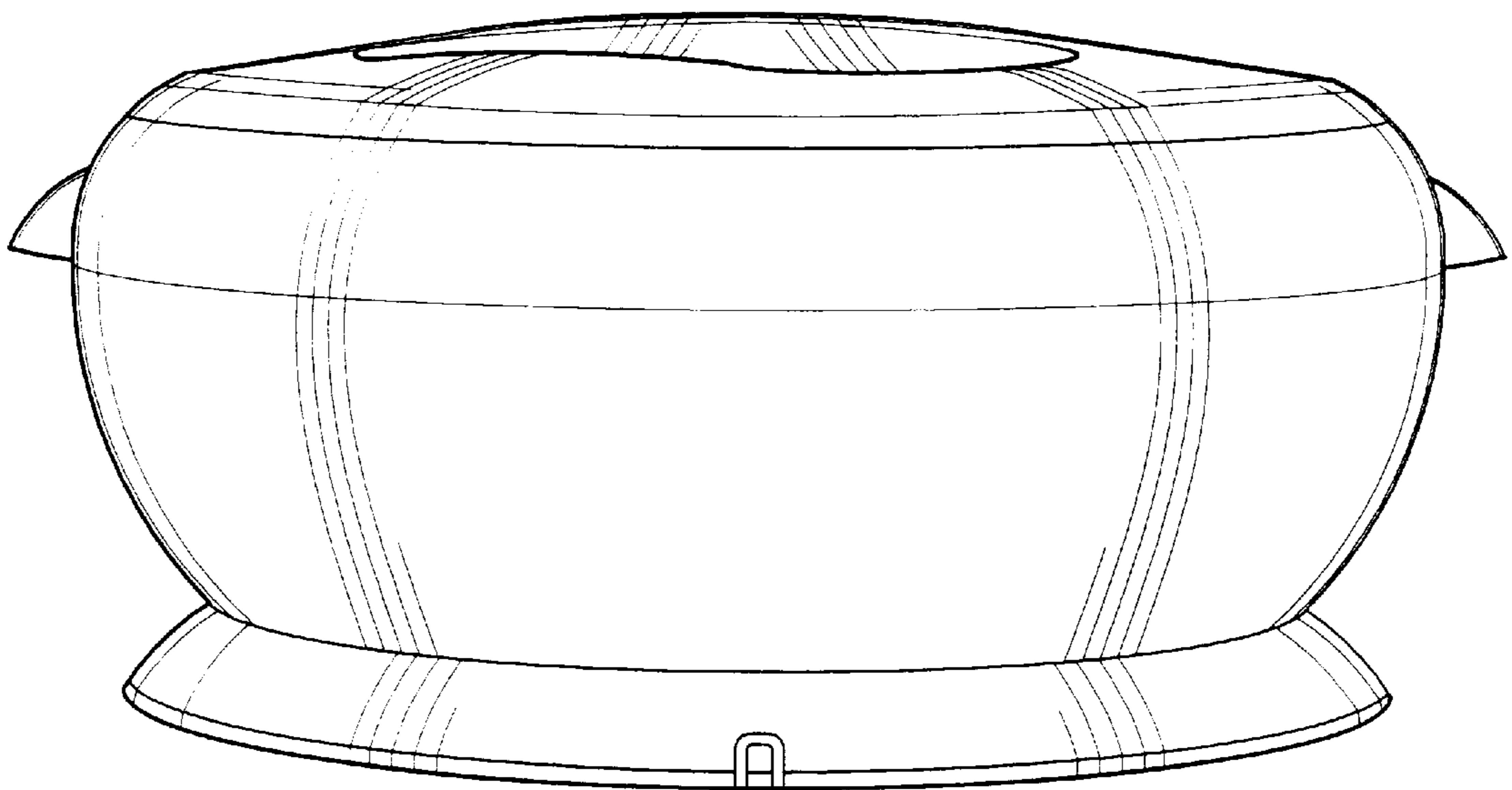


Fig-4

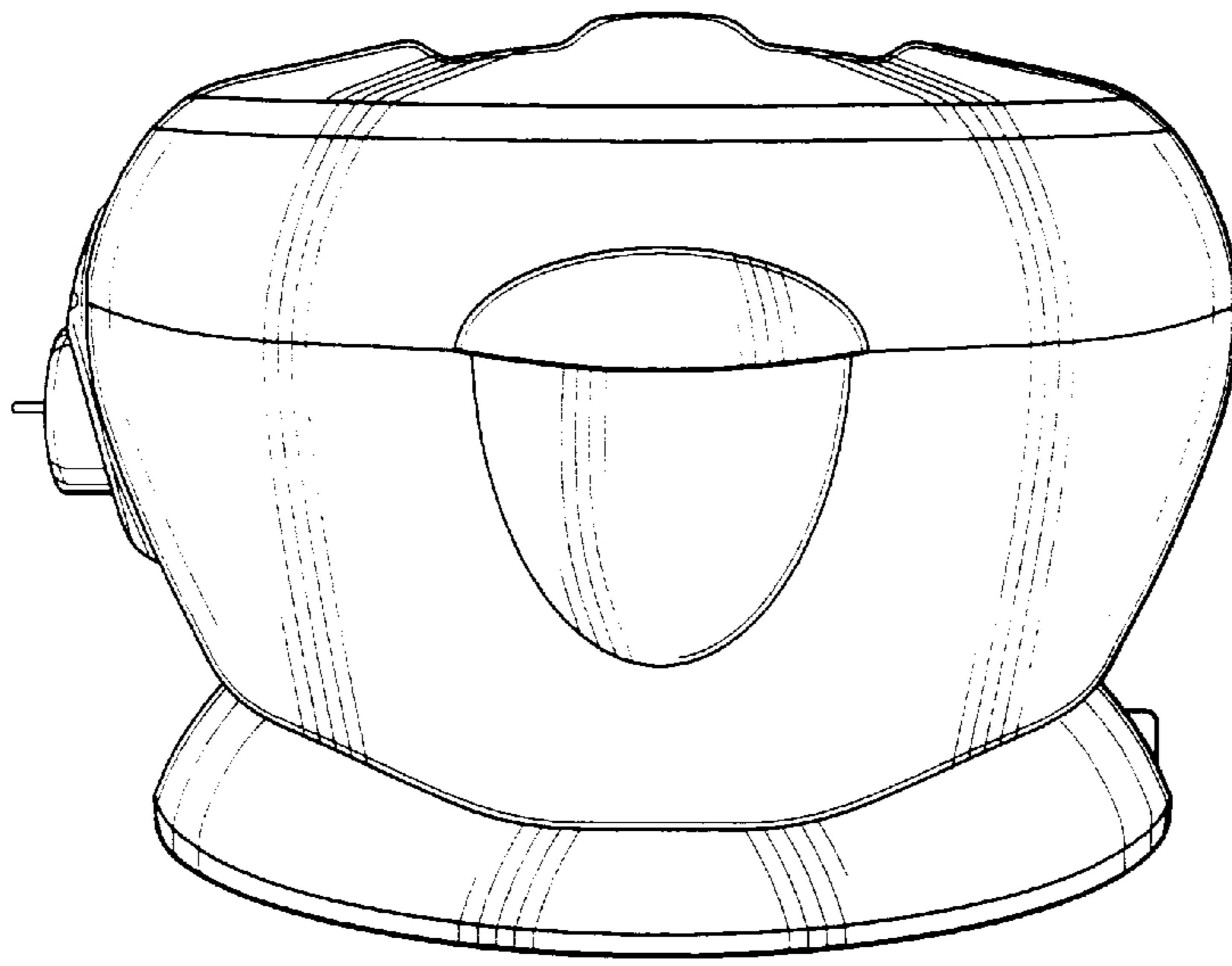


Fig-5

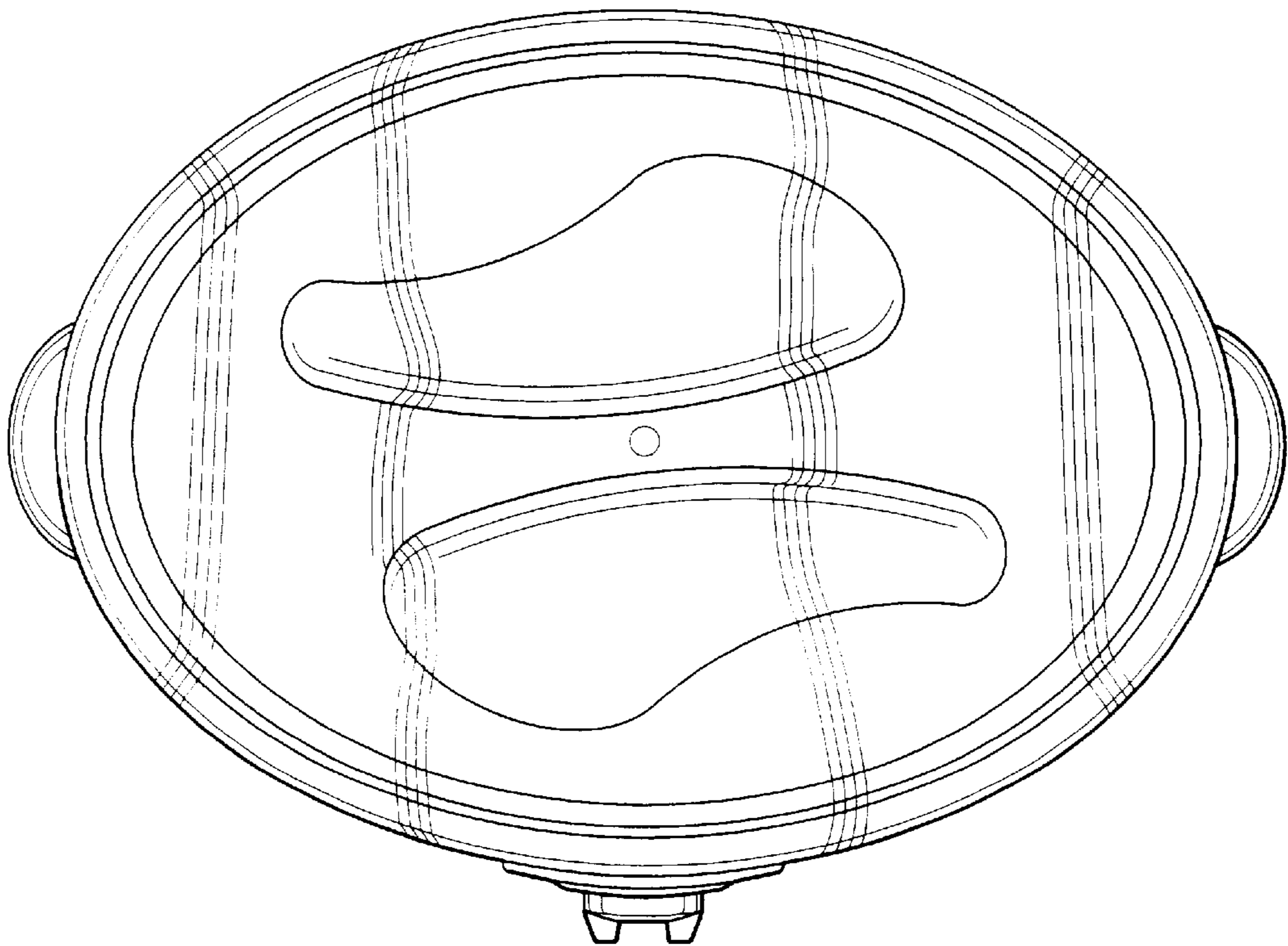


Fig-6

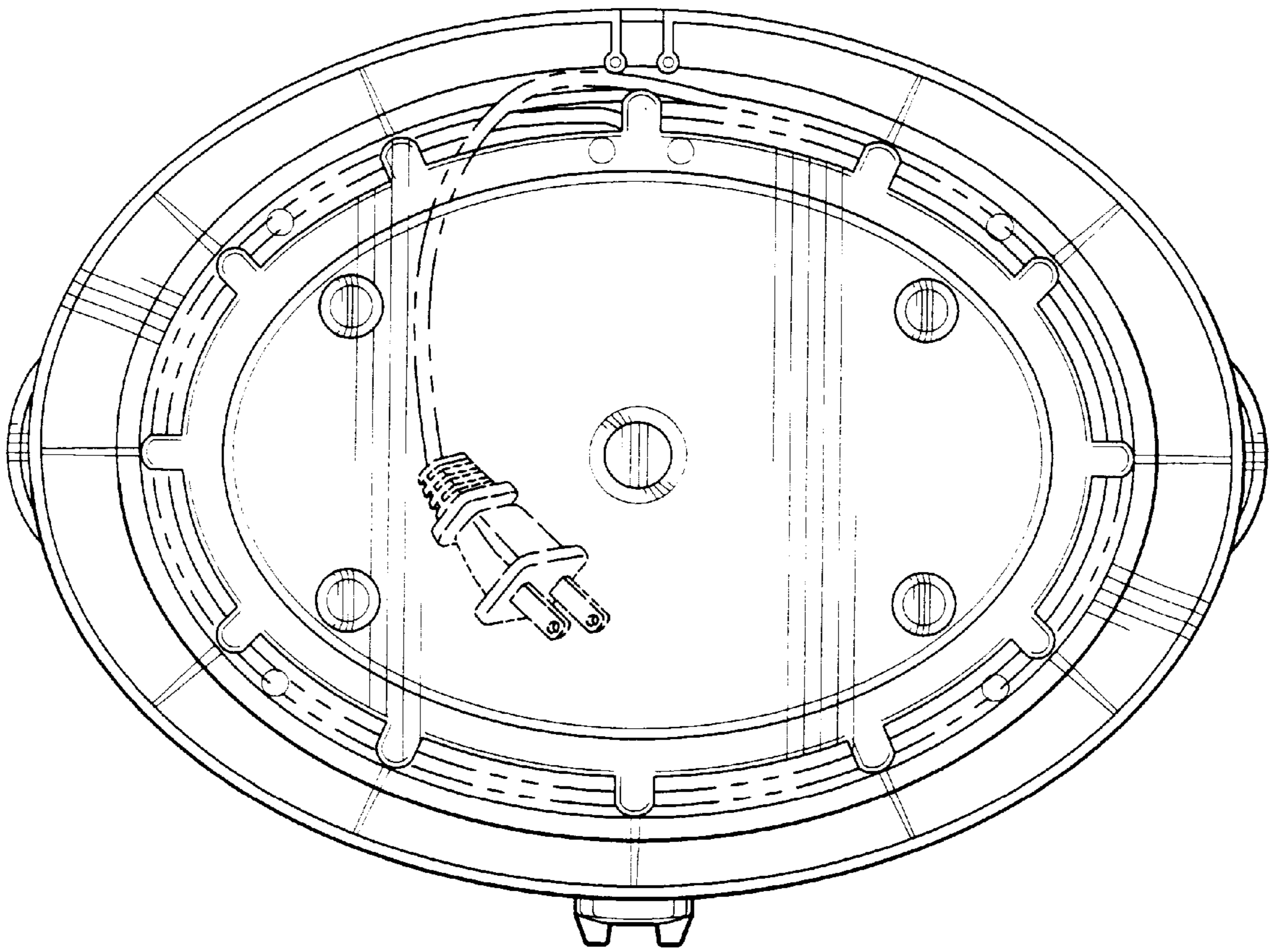


Fig-7