



US00D442281S

(12) **United States Design Patent**  
**Ericsson et al.**

(10) **Patent No.:** **US D442,281 S**

(45) **Date of Patent:** **\*\* May 15, 2001**

(54) **STEREOTACTIC APPARATUS**

Leksell Stereotactic System Product Publication, Elekta Instrument AB, Sweden (1986) pp. 1-20.

(75) Inventors: **Per Ericsson**, Solna; **Anders Jakobsson**, Årsta; **Christina Hugosson**, Stockholm, all of (SE)

\* cited by examiner

(73) Assignee: **Elekta AB**, Stockholm (SE)

*Primary Examiner*—Ian Simmons

(\*\*) Term: **14 Years**

(74) *Attorney, Agent, or Firm*—Burns Doane Swecker & Mathis L.L.P.

(21) Appl. No.: **29/115,308**

(57) **CLAIM**

(22) Filed: **Dec. 13, 1999**

The ornamental design for a stereotactic apparatus, as shown and described.

(51) **LOC (7) Cl.** ..... **24-02**

**DESCRIPTION**

(52) **U.S. Cl.** ..... **D24/140**

(58) **Field of Search** ..... D24/140; 606/130, 606/96, 98, 172, 167; 600/424, 417, 429; D10/73, 64

FIG. 1 is perspective view from one side of a stereotactic apparatus embodying the present invention;

FIG. 2 is a perspective view from the opposite side from FIG. 1 of said stereotactic apparatus;

FIG. 3 is a side view of said stereotactic apparatus;

FIG. 4 is a front view of said stereotactic apparatus;

FIG. 5 is a side view opposite from FIG. 3 of said stereotactic apparatus;

FIG. 6 is a rear view of said stereotactic apparatus;

FIG. 7 is a top view of said stereotactic apparatus; and,

FIG. 8 is a bottom view of said stereotactic apparatus.

(56) **References Cited**

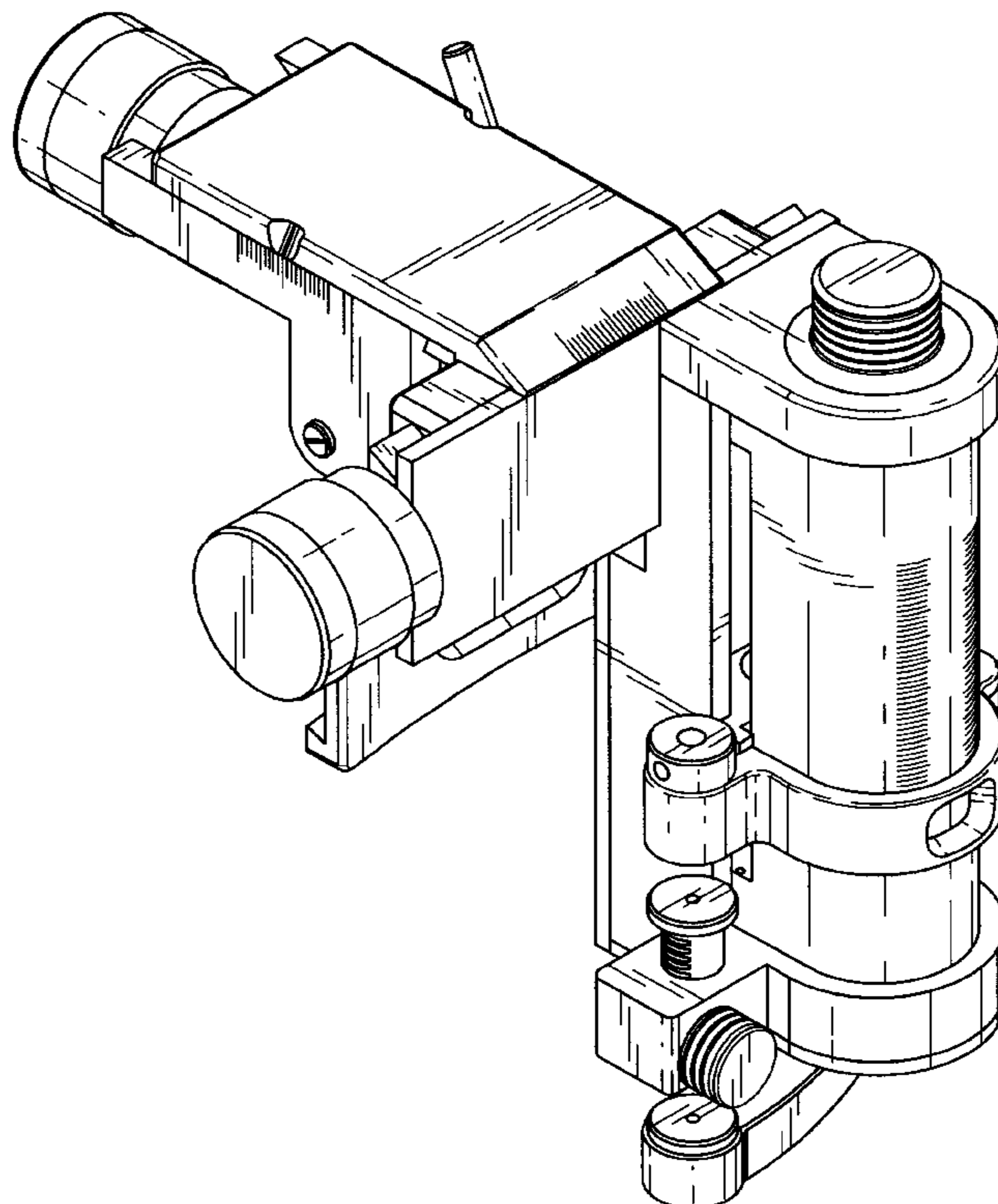
**U.S. PATENT DOCUMENTS**

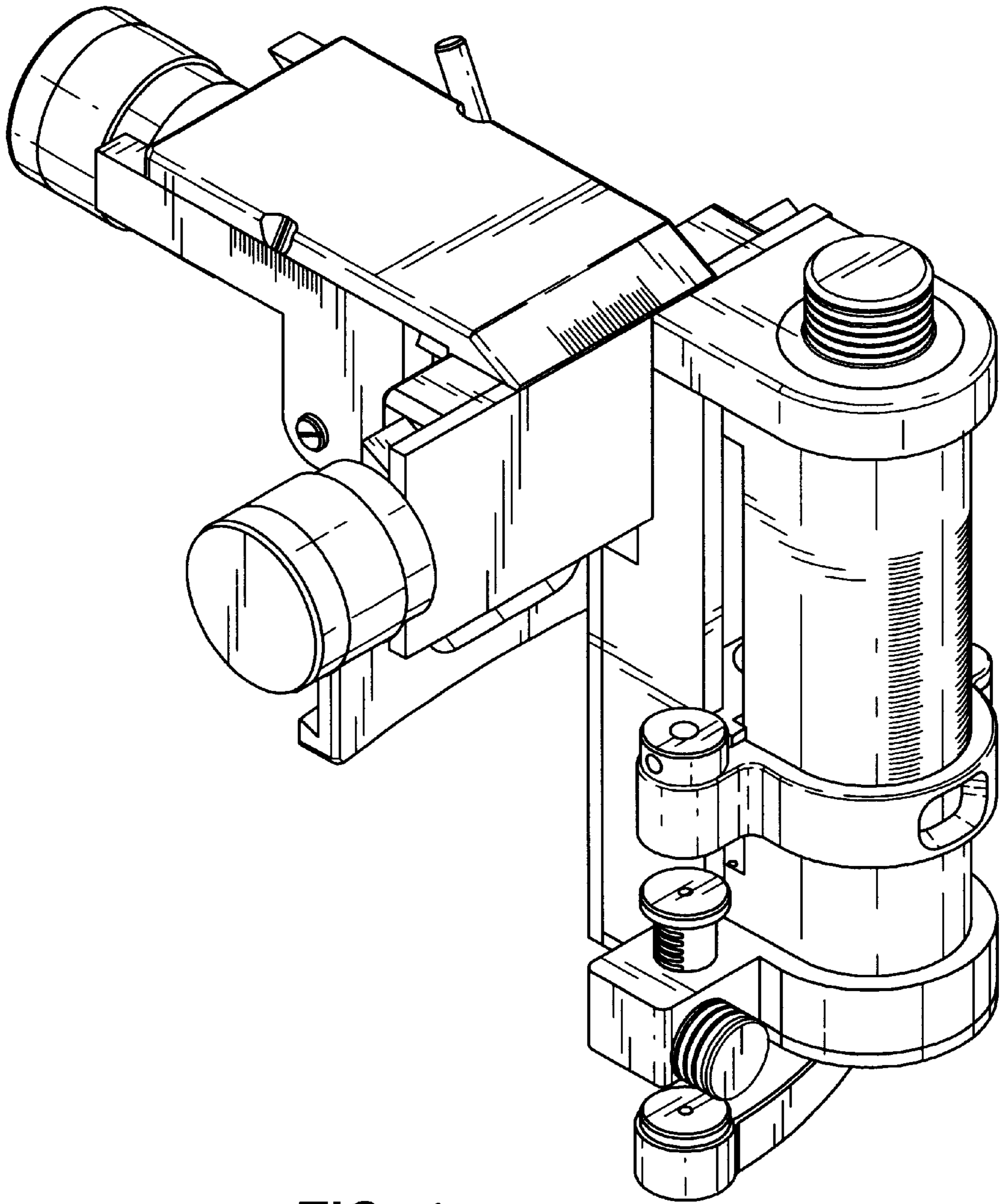
|            |   |         |                          |         |
|------------|---|---------|--------------------------|---------|
| D. 351,467 | * | 10/1994 | Koutrouvelis et al. .... | D24/140 |
| 4,653,509  | * | 3/1987  | Oloff et al. ....        | 128/749 |
| 5,817,106  | * | 10/1998 | Real .....               | 606/130 |
| 5,871,487  | * | 2/1999  | Warner et al. ....       | 606/130 |
| 6,071,288  | * | 6/2000  | Carol et al. ....        | 606/130 |

**OTHER PUBLICATIONS**

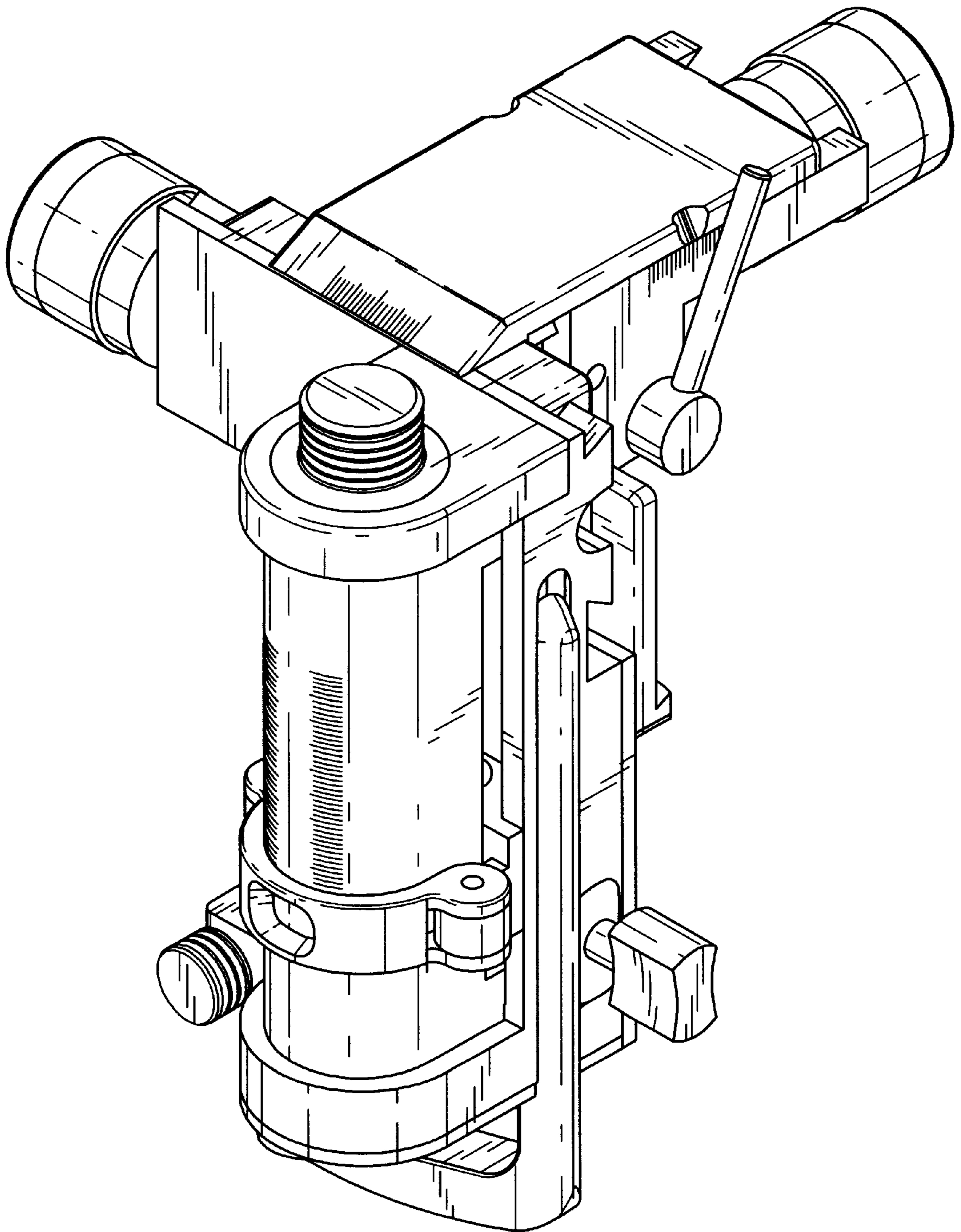
Leksell Micro-Stereotactic System Product Publication, Elekta Instrument AB, Sweden (1990) pp. 1-11.

**1 Claim, 8 Drawing Sheets**

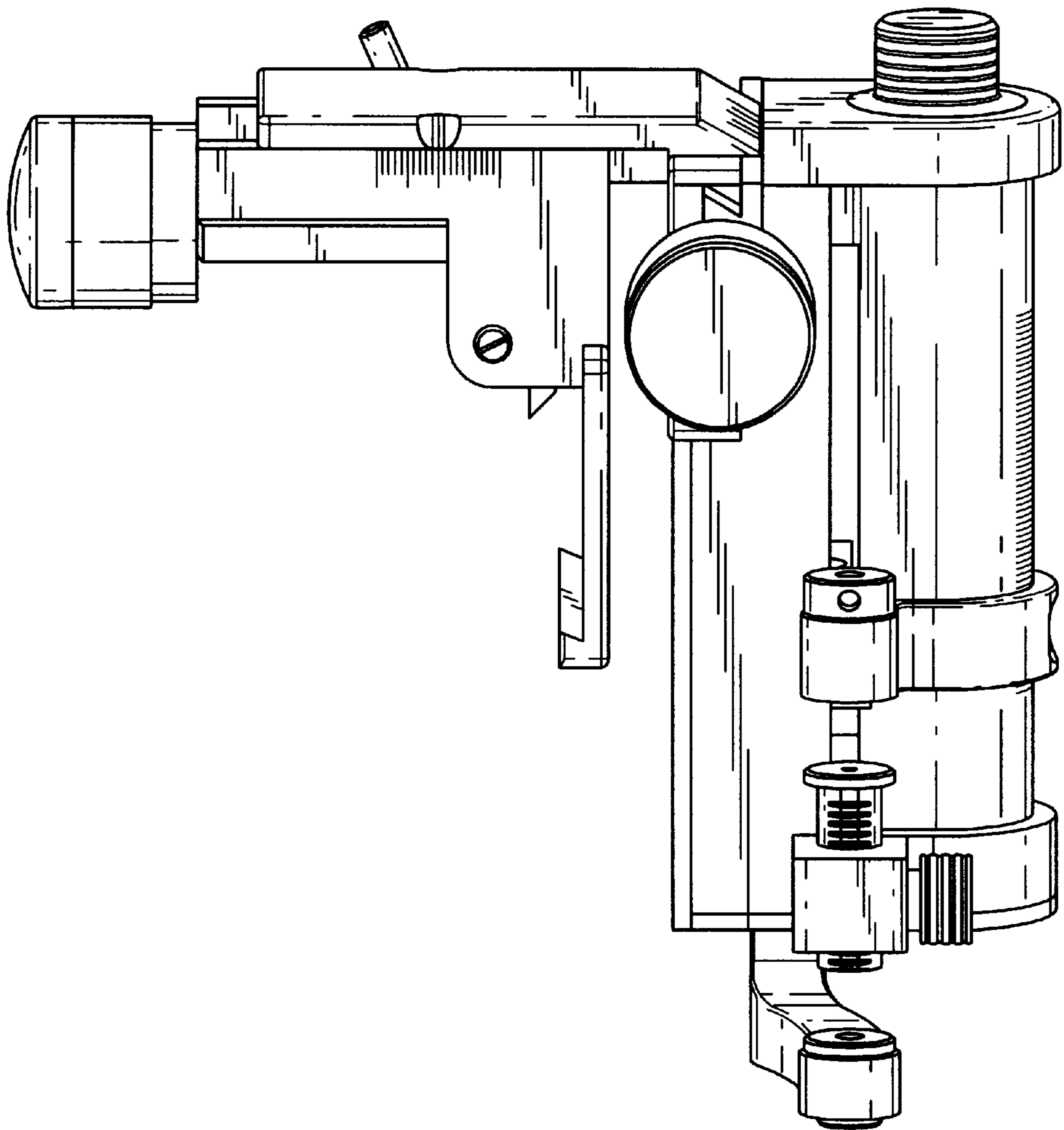




**FIG. 1**

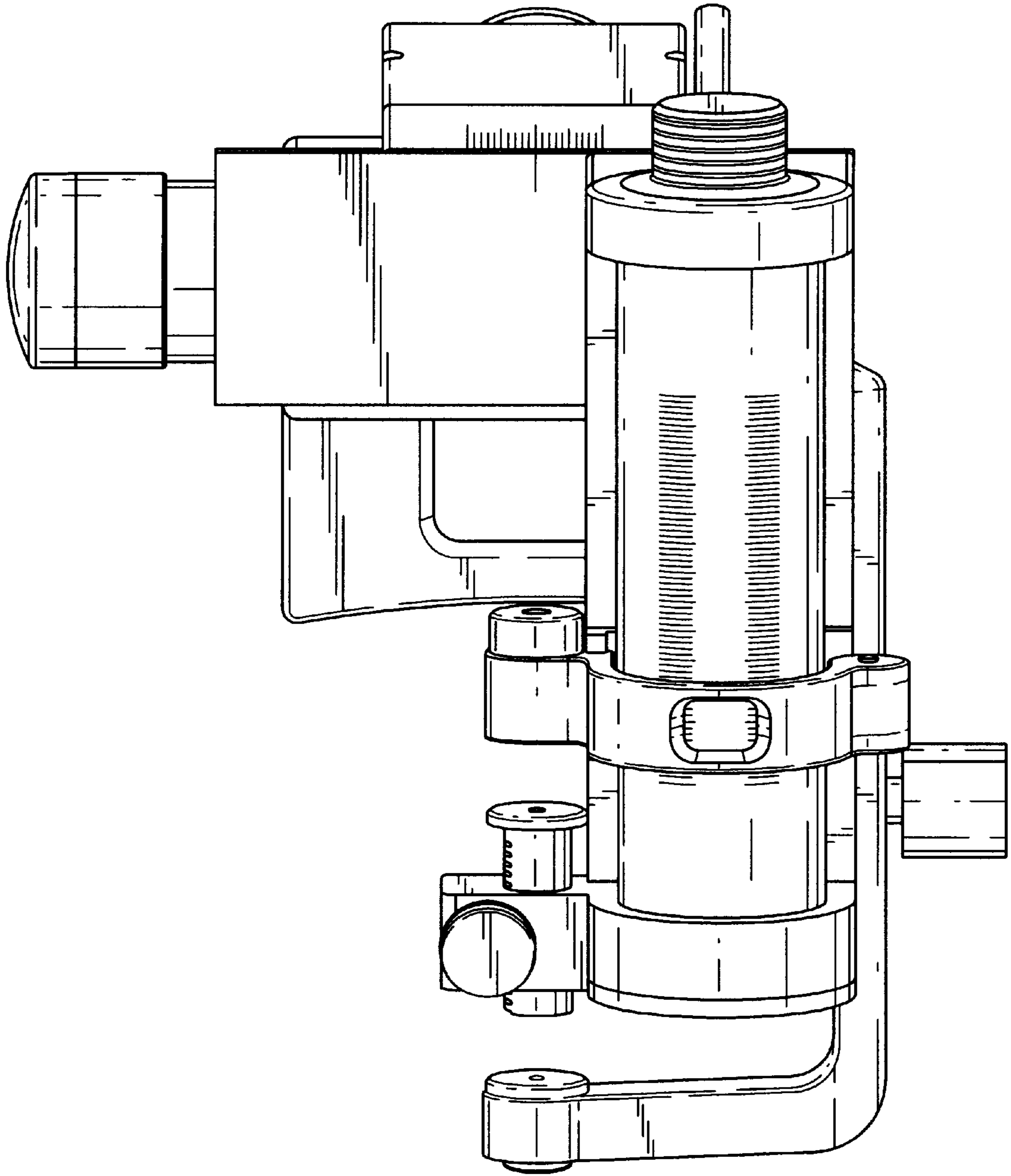


**FIG. 2**

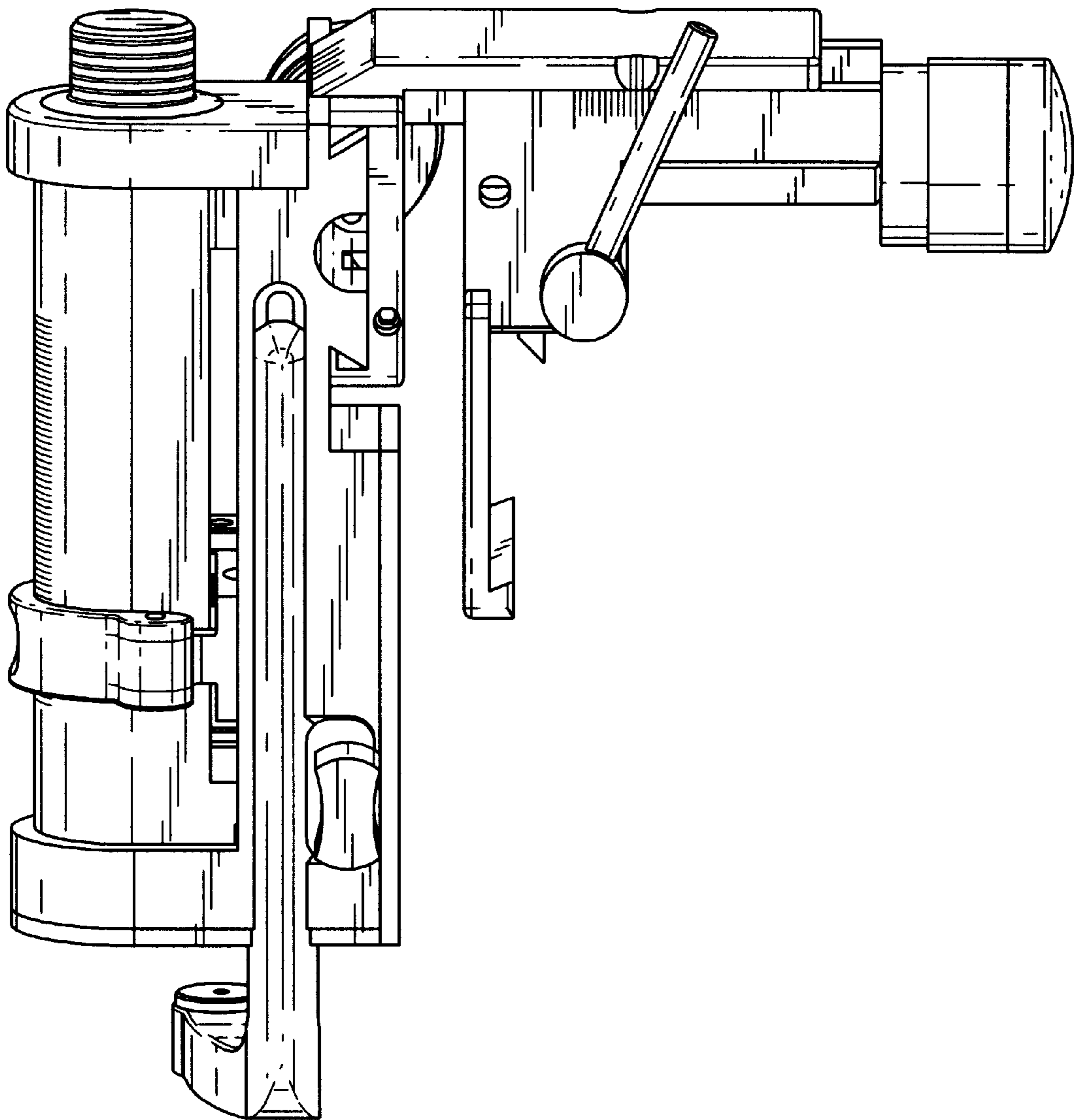


**FIG. 3**

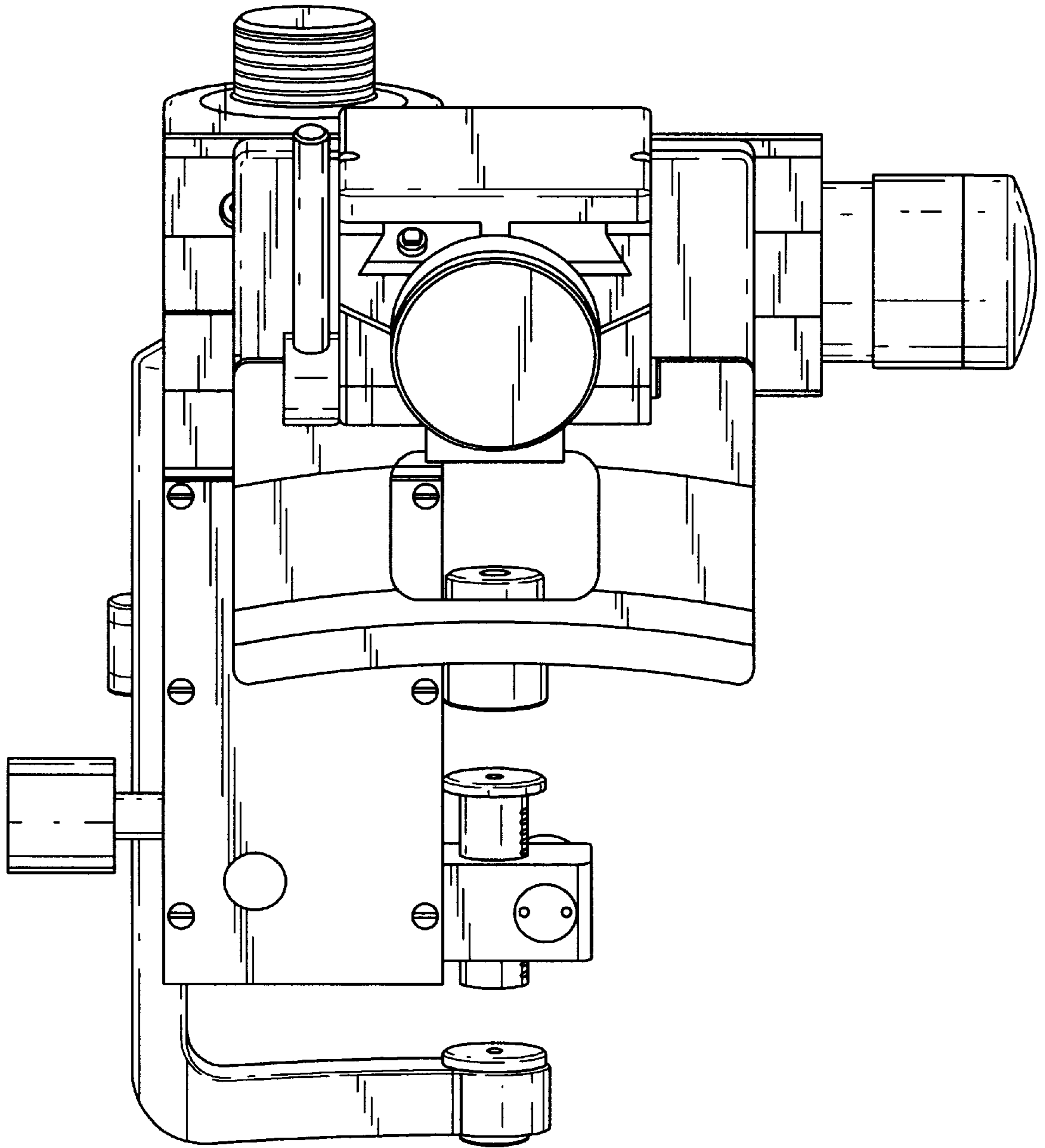




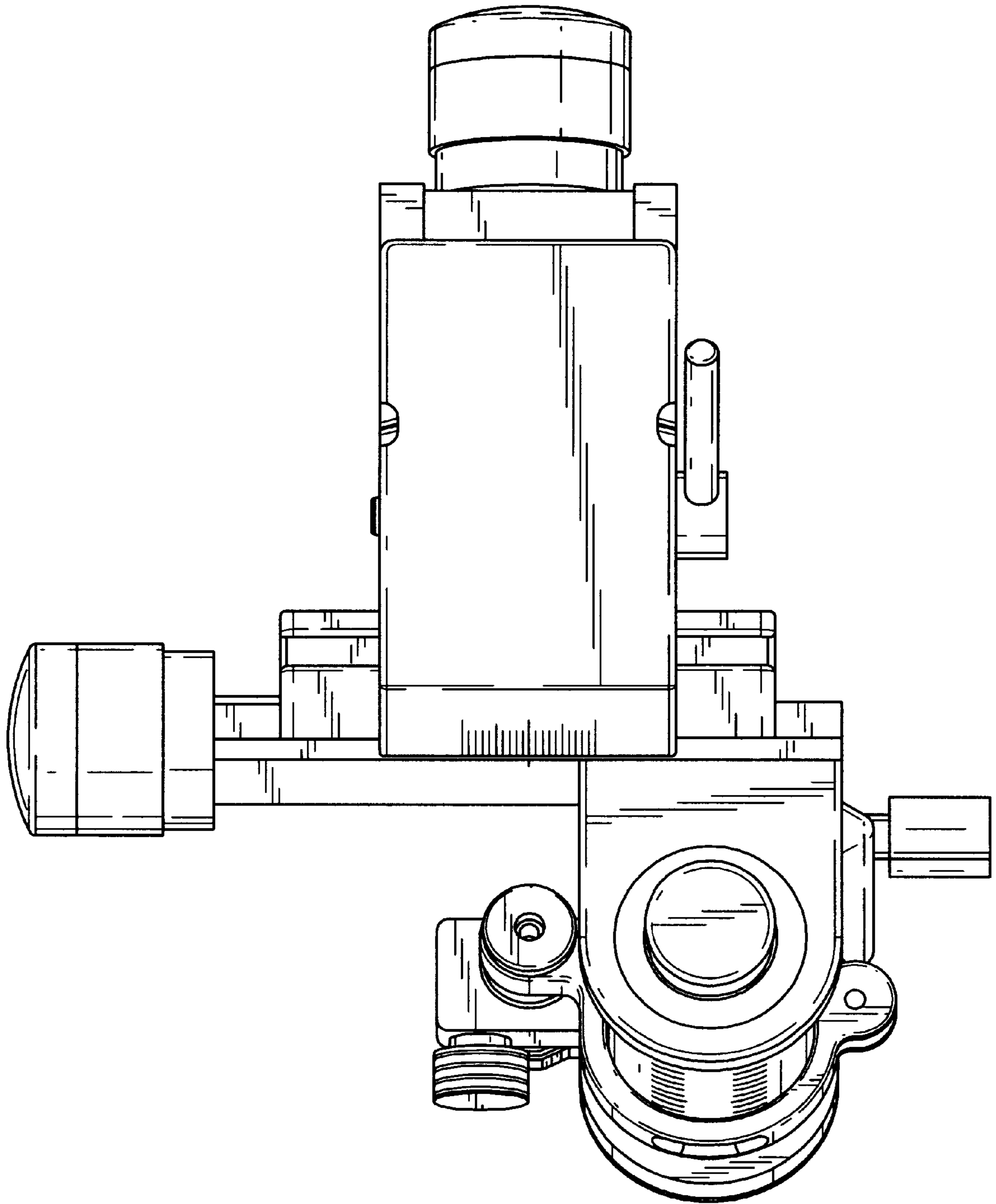
**FIG. 4**



**FIG. 5**

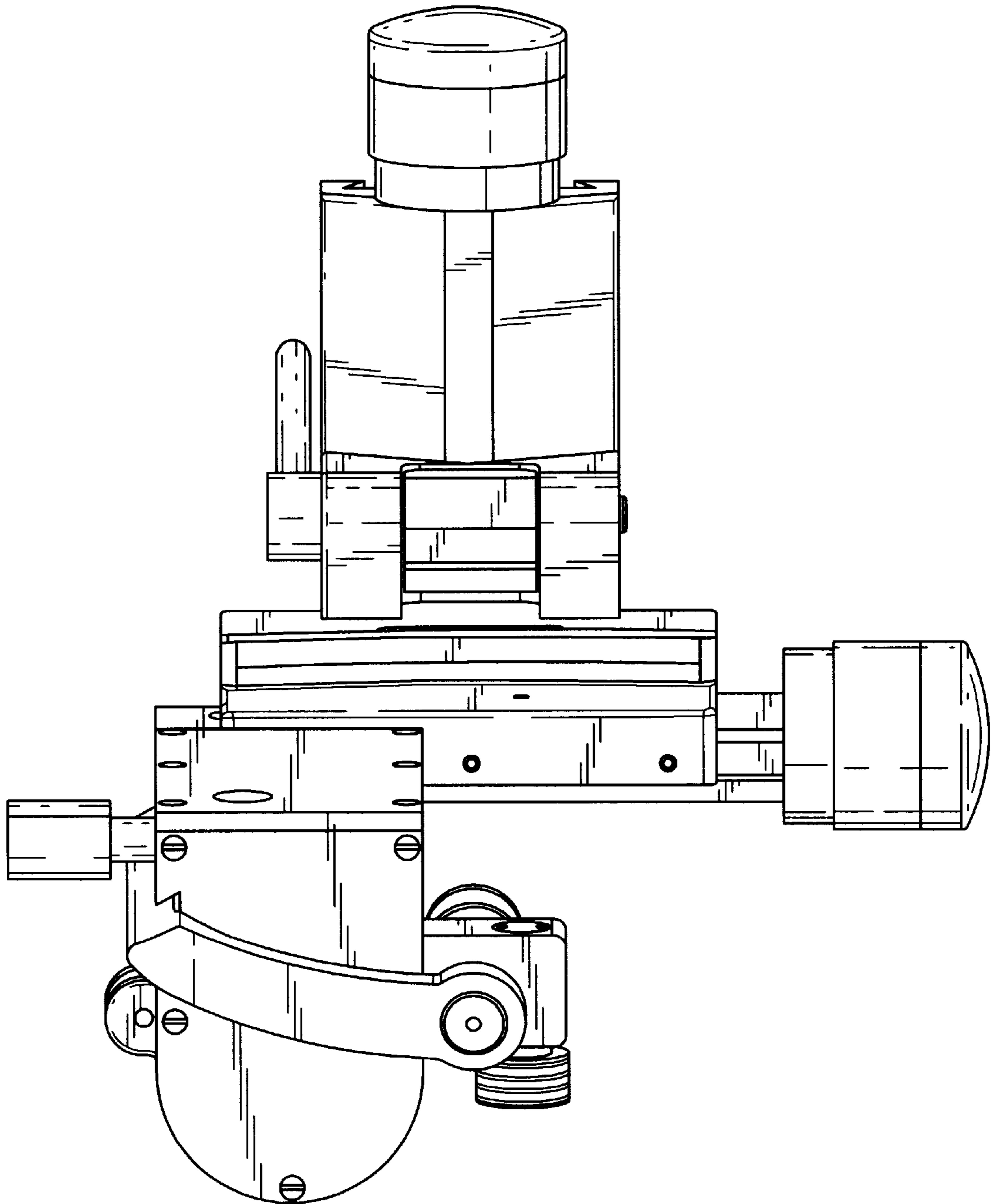


**FIG. 6**



**FIG. 7**





**FIG. 8**