



US00D442280S

(12) **United States Design Patent**
Crawford et al.

(10) **Patent No.:** **US D442,280 S**

(45) **Date of Patent:** **** May 15, 2001**

(54) **NEEDLE SHIELD**

(75) Inventors: **Jamie Crawford**, New York; **C. Mark Newby**, Tuxedo, both of NY (US)

(73) Assignee: **Becton Dickinson and Company**, Franklin Lakes, NJ (US)

(**) Term: **14 Years**

(21) Appl. No.: **29/092,860**

(22) Filed: **Aug. 28, 1998**

(51) **LOC (7) Cl.** **24-02**

(52) **U.S. Cl.** **D24/130**

(58) **Field of Search** D24/130; 604/263, 604/192, 193, 110

5,437,648 8/1995 Graves .
 5,445,619 8/1995 Burns .
 5,490,841 2/1996 Landis .
 5,509,907 4/1996 Bevilacqua .
 5,584,816 * 12/1996 Gyue 604/192
 5,632,732 5/1997 Szabo .
 5,643,219 7/1997 Burns .
 5,662,617 9/1997 Odell et al. .
 5,665,075 9/1997 Gyure et al. .
 5,669,889 9/1997 Gyure et al. .
 5,681,295 10/1997 Gyure et al. .
 5,733,265 * 3/1998 Bachman et al. 604/263
 5,746,726 * 5/1998 Sweeney et al. 604/263
 5,913,456 * 6/1999 Szabo 604/263

FOREIGN PATENT DOCUMENTS

460821 A1 5/1991 (EP) .
 566631 B1 12/1991 (EP) .
 520930 A1 5/1992 (EP) .
 WO 93/1299 7/1993 (WO) .

(56) **References Cited**

U.S. PATENT DOCUMENTS

D. 353,456 * 12/1994 Fagnold et al. D24/130
 2,408,323 9/1946 Lockhart .
 3,306,290 2/1967 Weltman .
 3,658,061 4/1972 Hall .
 4,085,737 4/1978 Bordow .
 4,747,836 5/1988 Luther .
 4,834,715 5/1989 Hanifl .
 4,886,503 12/1989 Miller .
 4,944,397 7/1990 Miller .
 4,950,249 8/1990 Jagger et al. .
 4,966,591 10/1990 Yuen .
 4,982,842 1/1991 Hollister .
 5,055,102 10/1991 Sitnik .
 5,116,325 5/1992 Paterson .
 5,139,489 8/1992 Hollister .
 5,151,089 9/1992 Kirk, III .
 5,154,285 10/1992 Hollister .
 5,188,611 2/1993 Orgain .
 5,207,653 5/1993 Janjua et al. .
 5,312,267 5/1994 Nathan .
 5,312,369 * 5/1994 Arcusin et al. 604/192
 5,423,765 6/1995 Hollister .

* cited by examiner

Primary Examiner—Stella Reid
Assistant Examiner—I Simmons
 (74) *Attorney, Agent, or Firm*—Nanette S. Thomas, Esq.

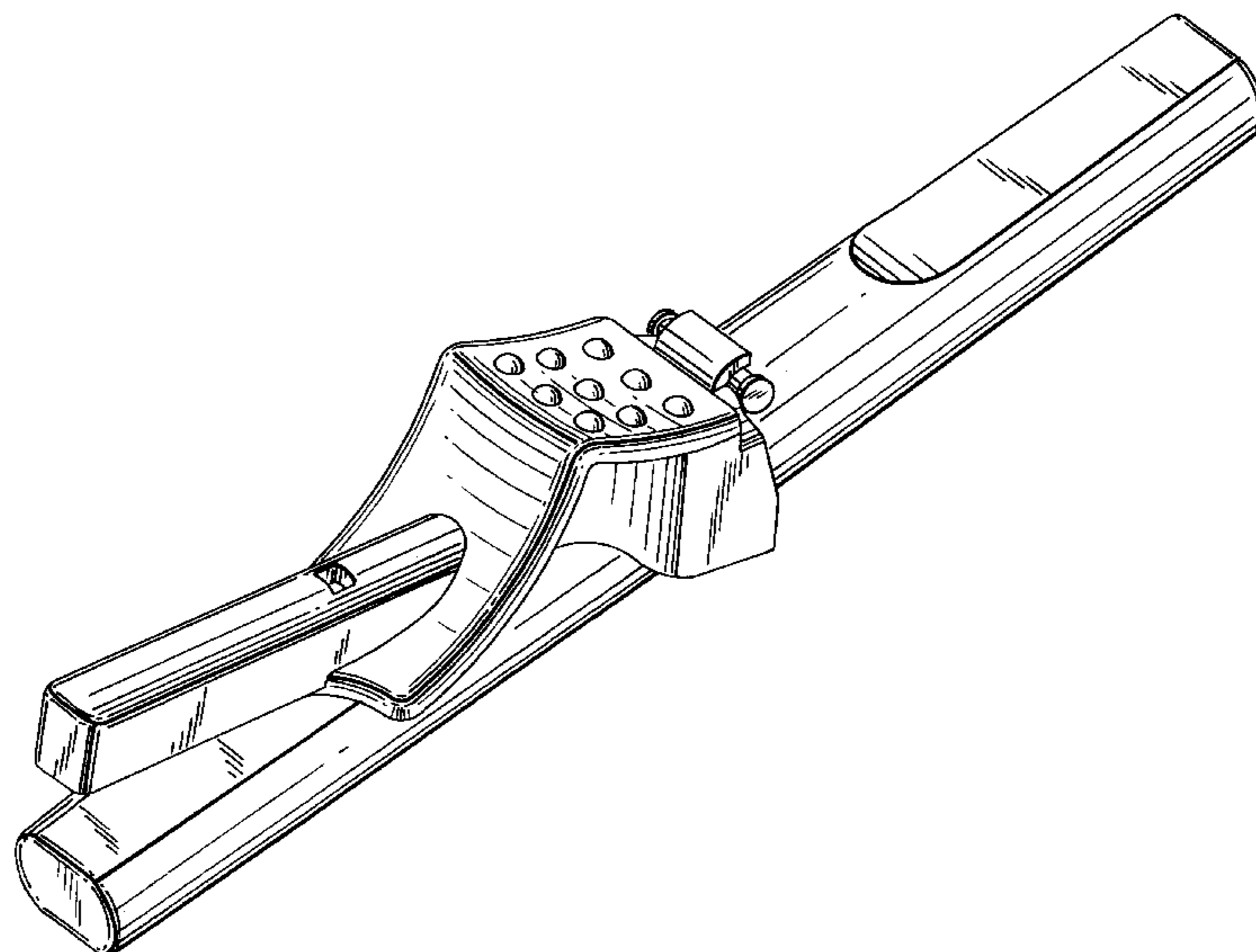
(57) **CLAIM**

The ornamental design for a needle shield, as shown and described.

DESCRIPTION

FIG. 1 is a perspective view of the needle shield;
 FIG. 2 is a forward end view of the needle shield of FIG. 1;
 FIG. 3 is a rearward end view of the needle shield of FIG. 1;
 FIG. 4 is a top plan view of the needle shield of FIG. 1;
 FIG. 5 is a side elevational view of the needle shield of FIG. 1; and,
 FIG. 6 is a bottom plan view of the needle shield of FIG. 1.

1 Claim, 5 Drawing Sheets



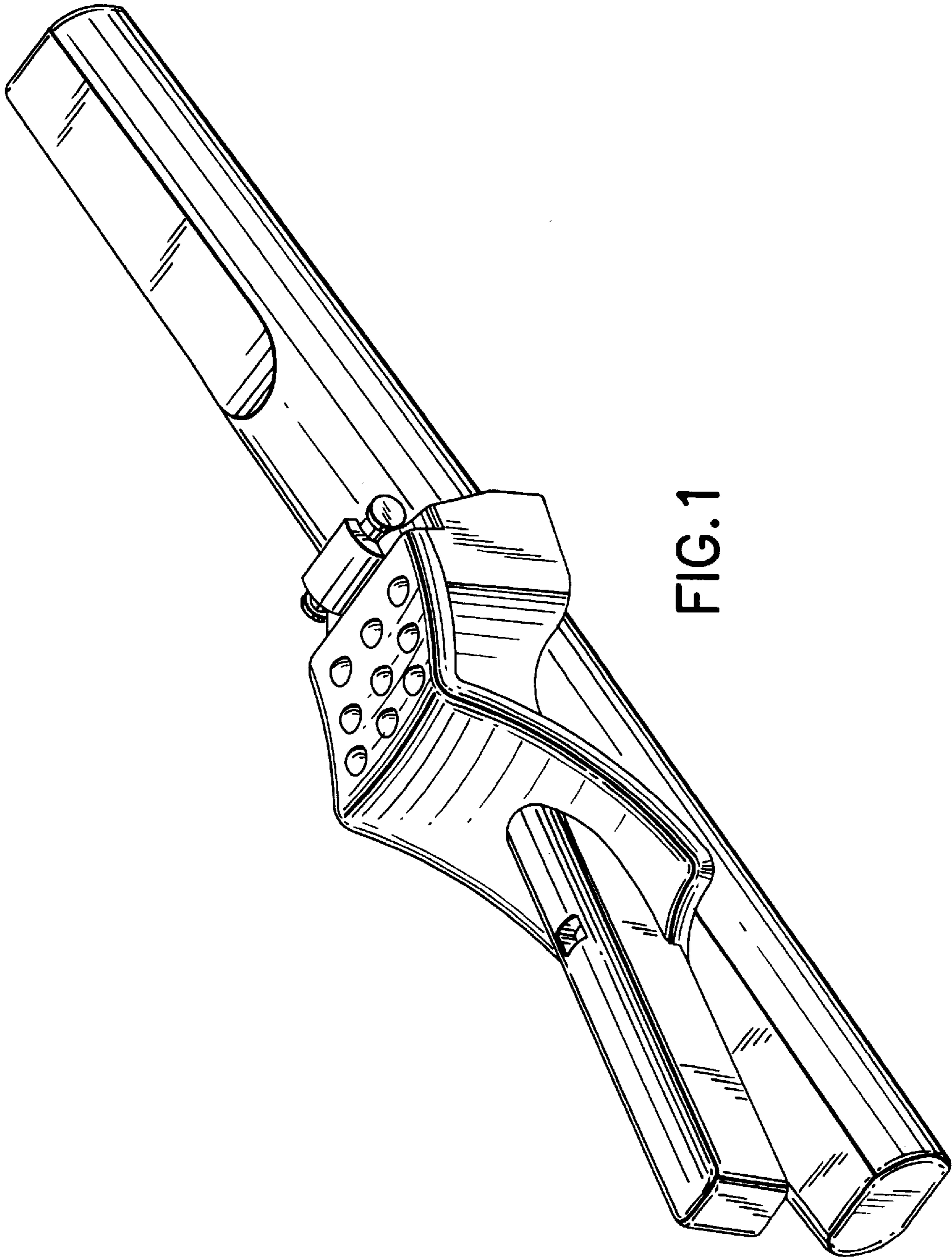


FIG. 1

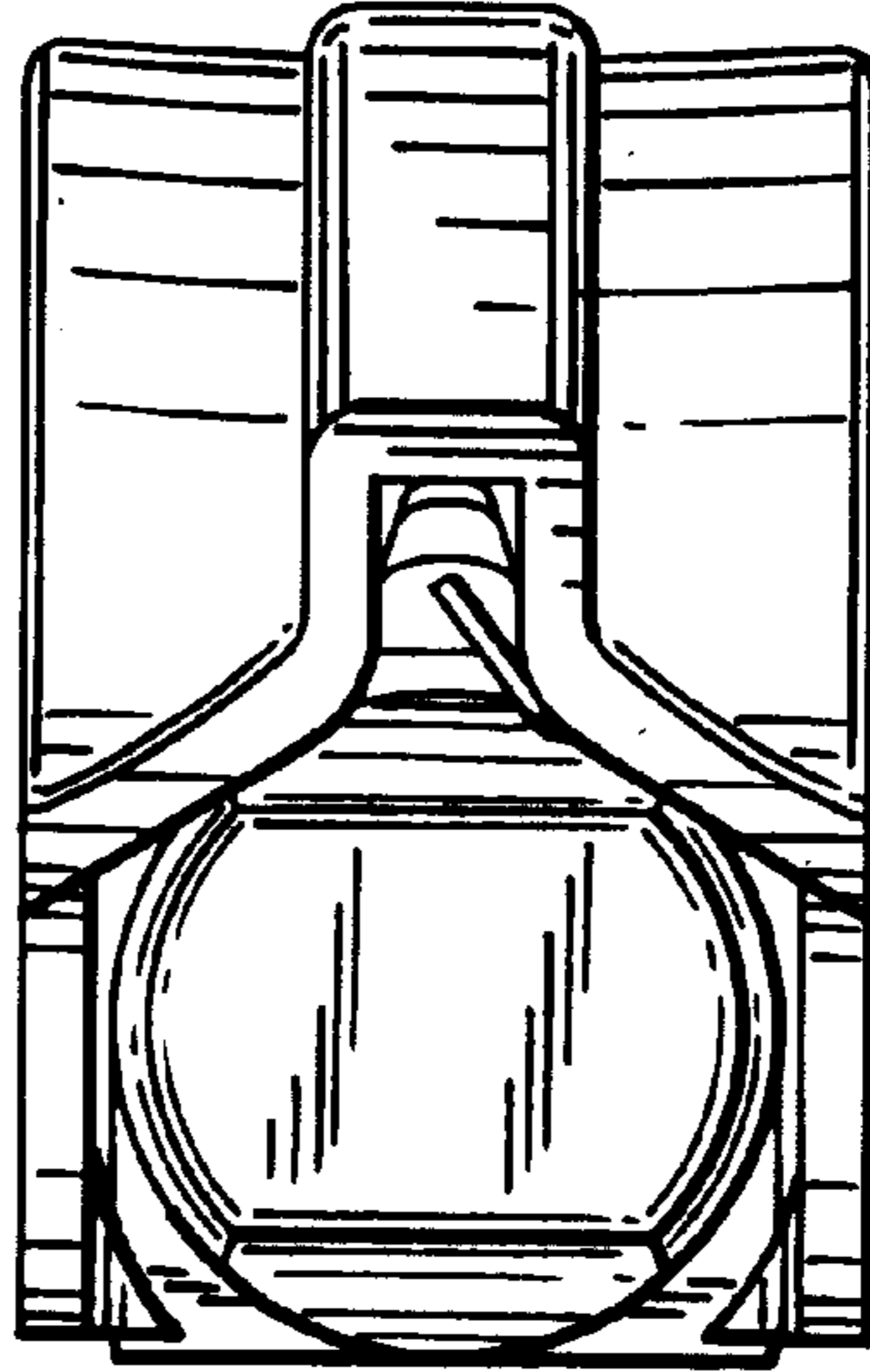


FIG. 2

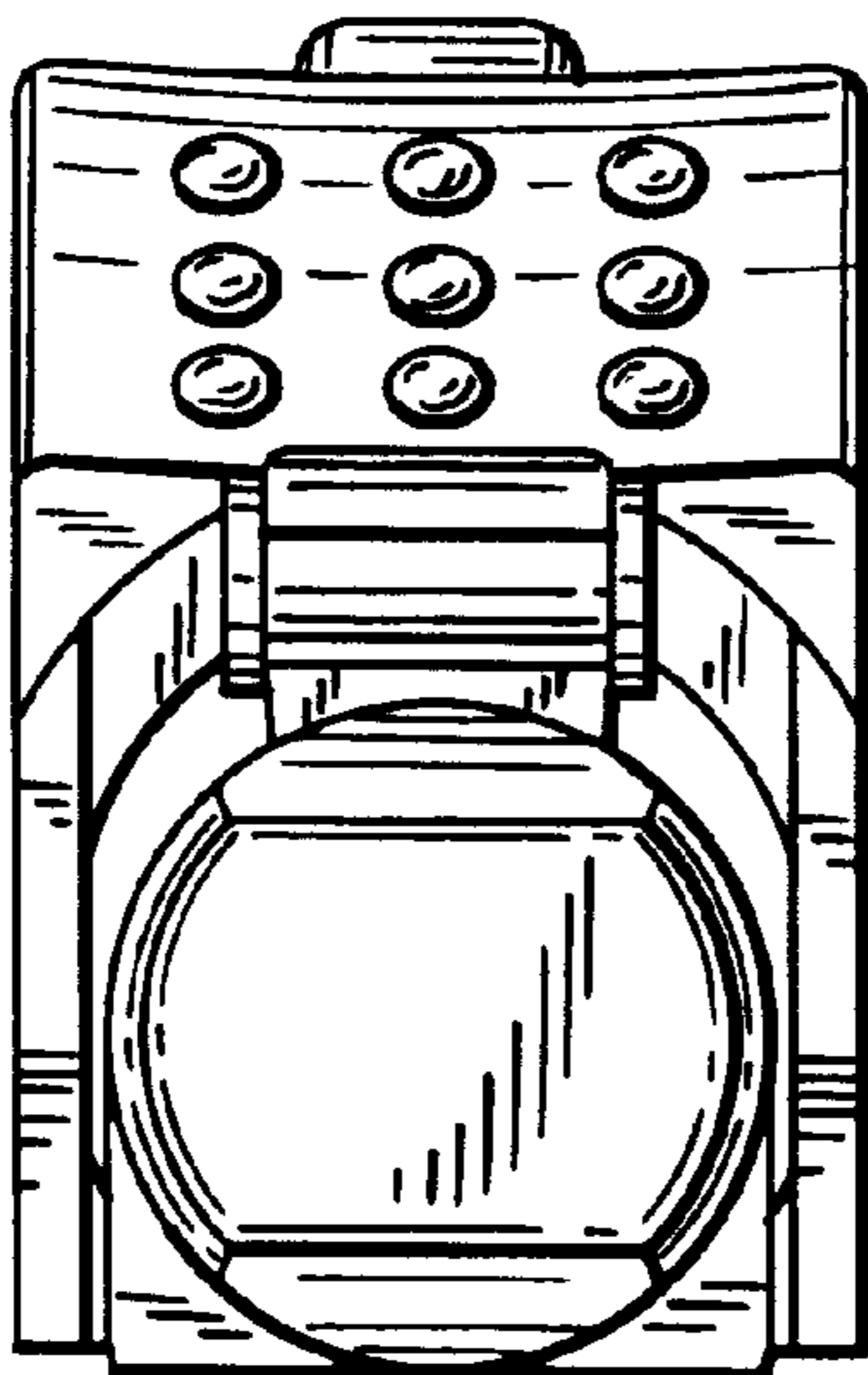


FIG. 3

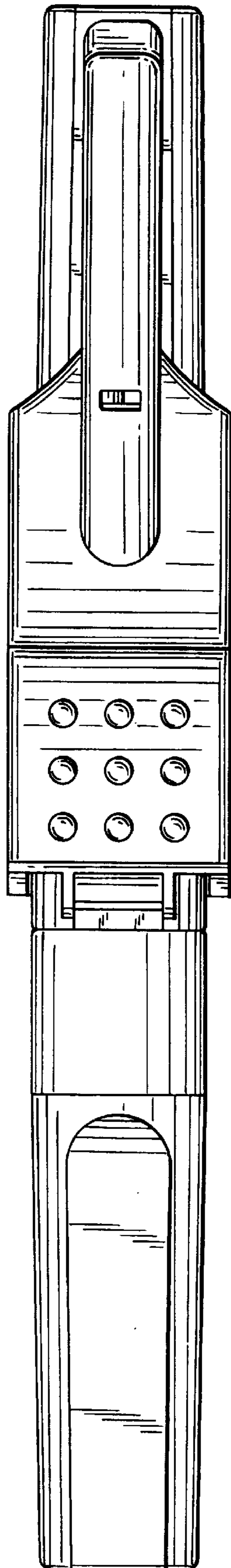


FIG.4

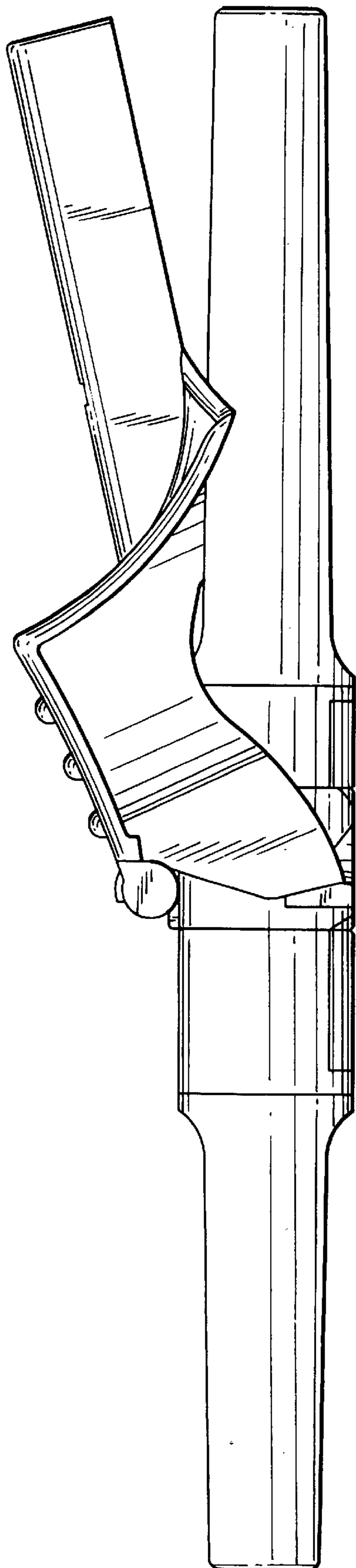


FIG. 5

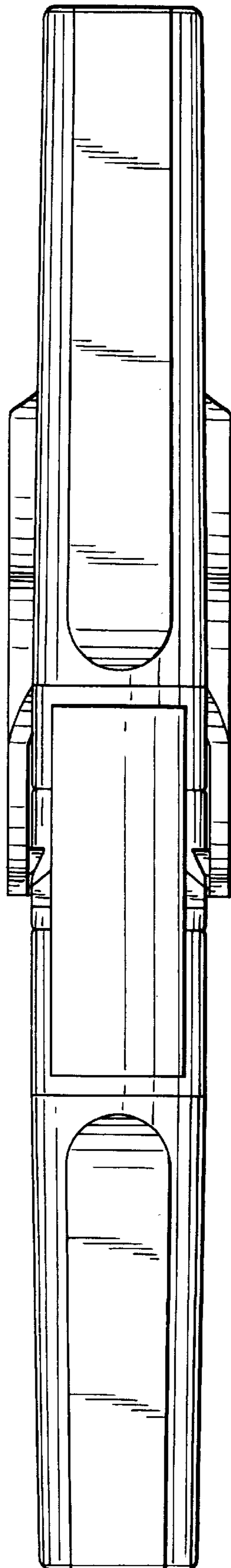


FIG.6