



US00D442273S

(12) **United States Design Patent**
Pestell

(10) **Patent No.:** **US D442,273 S**

(45) **Date of Patent:** **** May 15, 2001**

(54) **TILE VENTILATOR**

(75) Inventor: **Claire Pestell**, Broadbridge Heath (GB)

(73) Assignee: **Lafarge Braas Research & Development Limited**, West Sussex (GB)

(**) Term: **14 Years**

(21) Appl. No.: **29/110,774**

(22) Filed: **Sep. 13, 1999**

(30) **Foreign Application Priority Data**

Mar. 13, 1999 (GB) 2081956

(51) **LOC (7) Cl.** **23-04**

(52) **U.S. Cl.** **D23/393**

(58) **Field of Search** D23/393, 394;
34/25, 235, 82, 85, 90, 233; 454/367, 359;
285/56, 105, 424; 52/198, 303, 305, 199,
302

(56) **References Cited**

U.S. PATENT DOCUMENTS

D. 249,704 * 9/1978 Ward D23/393

D. 314,820 * 2/1991 Sullivan D23/393

D. 423,660 * 4/2000 Inda D23/393

* cited by examiner

Primary Examiner—Mitchell Siegel

(74) *Attorney, Agent, or Firm*—Nils H. Ljungman & Associates

(57) **CLAIM**

The ornamental design for a tile ventilator, as shown and described.

DESCRIPTION

FIG. 1 is a right hand upper perspective view of an embodiment of the present invention.

FIG. 2 is a left hand upper perspective view of an embodiment of the present invention.

FIG. 3 is a left hand under-side perspective view of an embodiment of the present invention.

FIG. 4 is a right hand under-side perspective view of an embodiment of the present invention.

FIG. 5 is a front view of an embodiment of the present invention.

FIG. 6 is a rear view of an embodiment of the present invention.

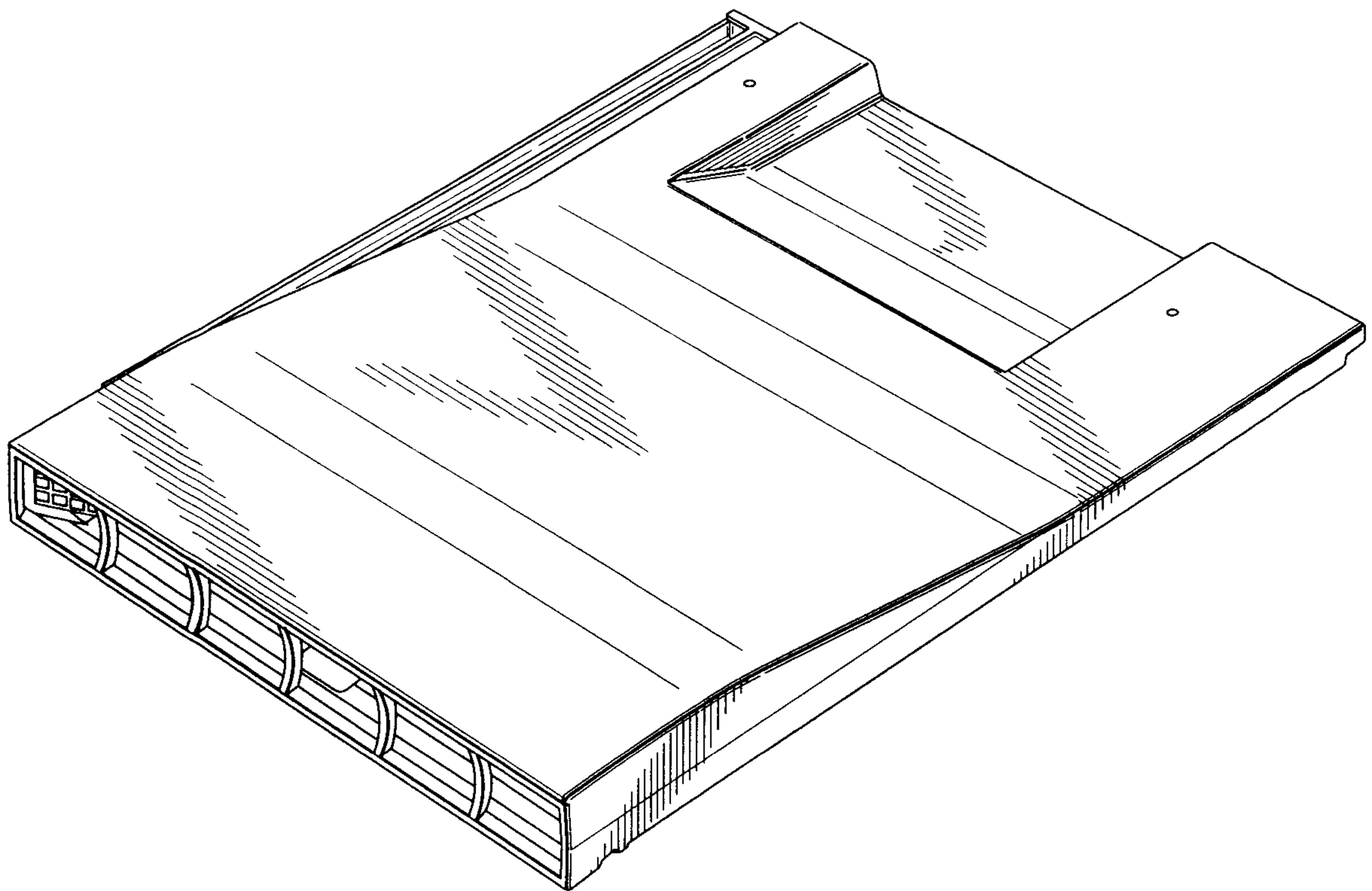
FIG. 7 is a left hand side view of an embodiment of the present invention.

FIG. 8 is a right hand side view of an embodiment of the present invention.

FIG. 9 is an under-side view of an embodiment of the present invention; and,

FIG. 10 is a top-side view of an embodiment of the present invention.

1 Claim, 10 Drawing Sheets



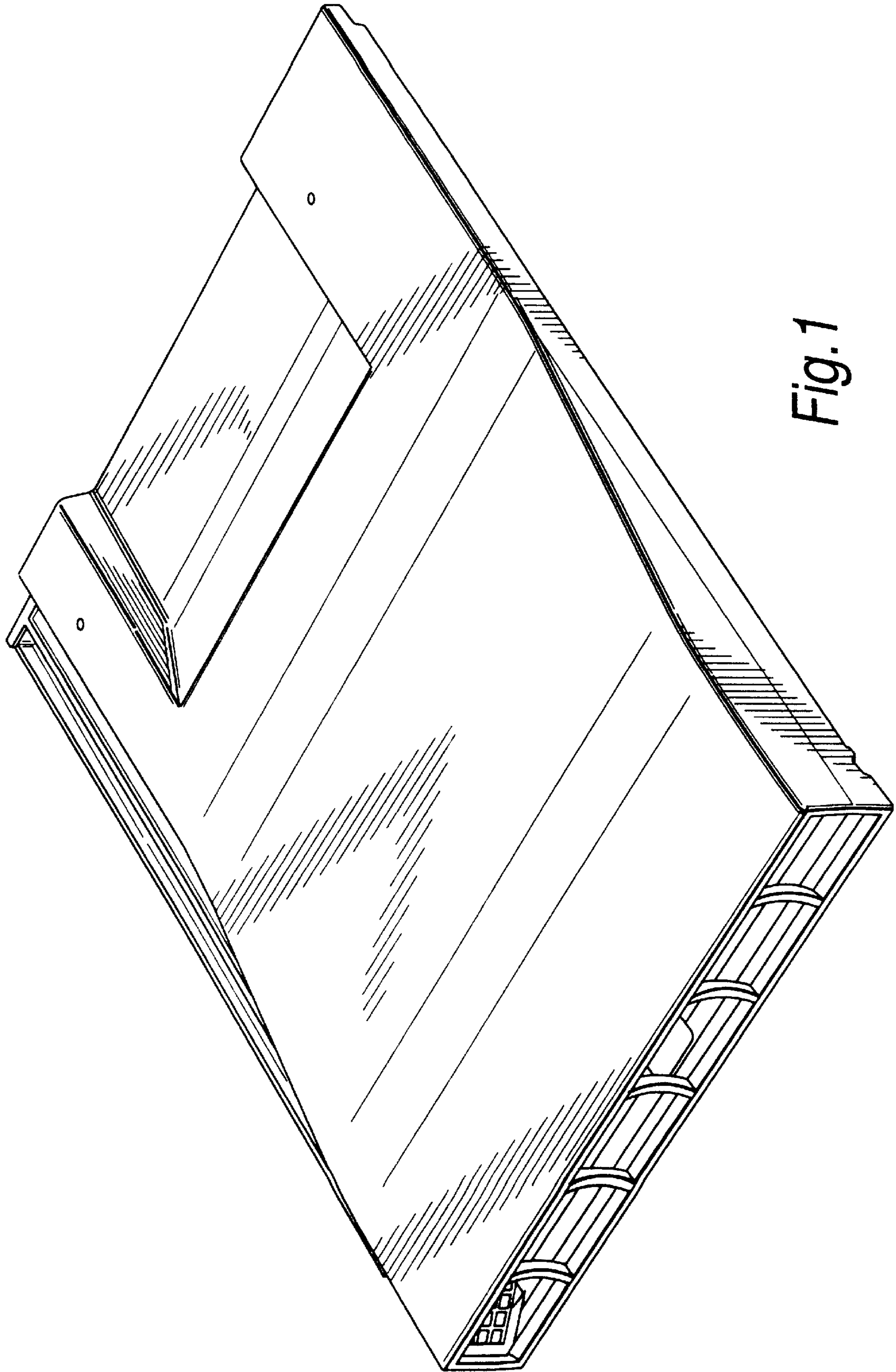


Fig. 1

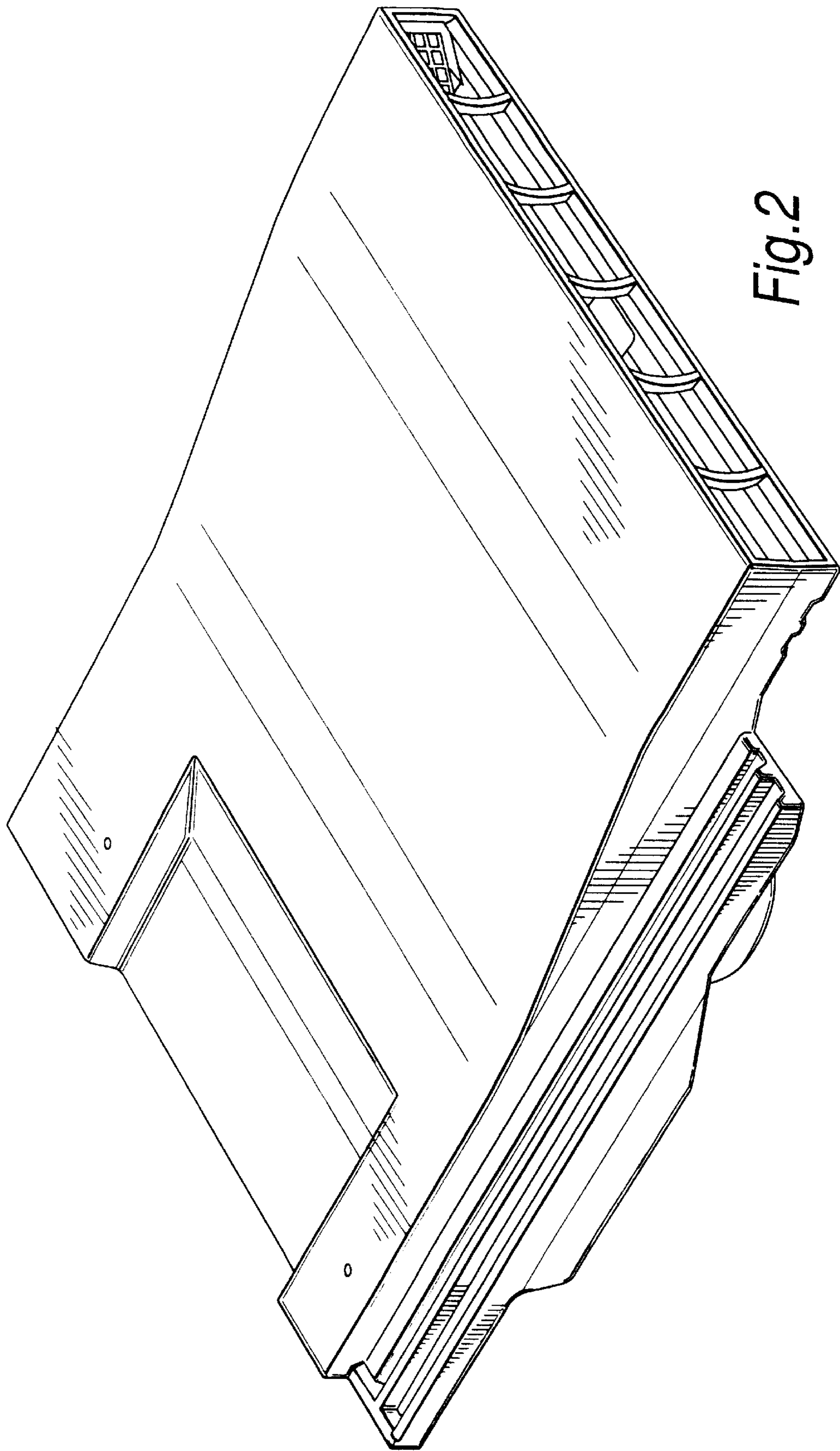


Fig. 2

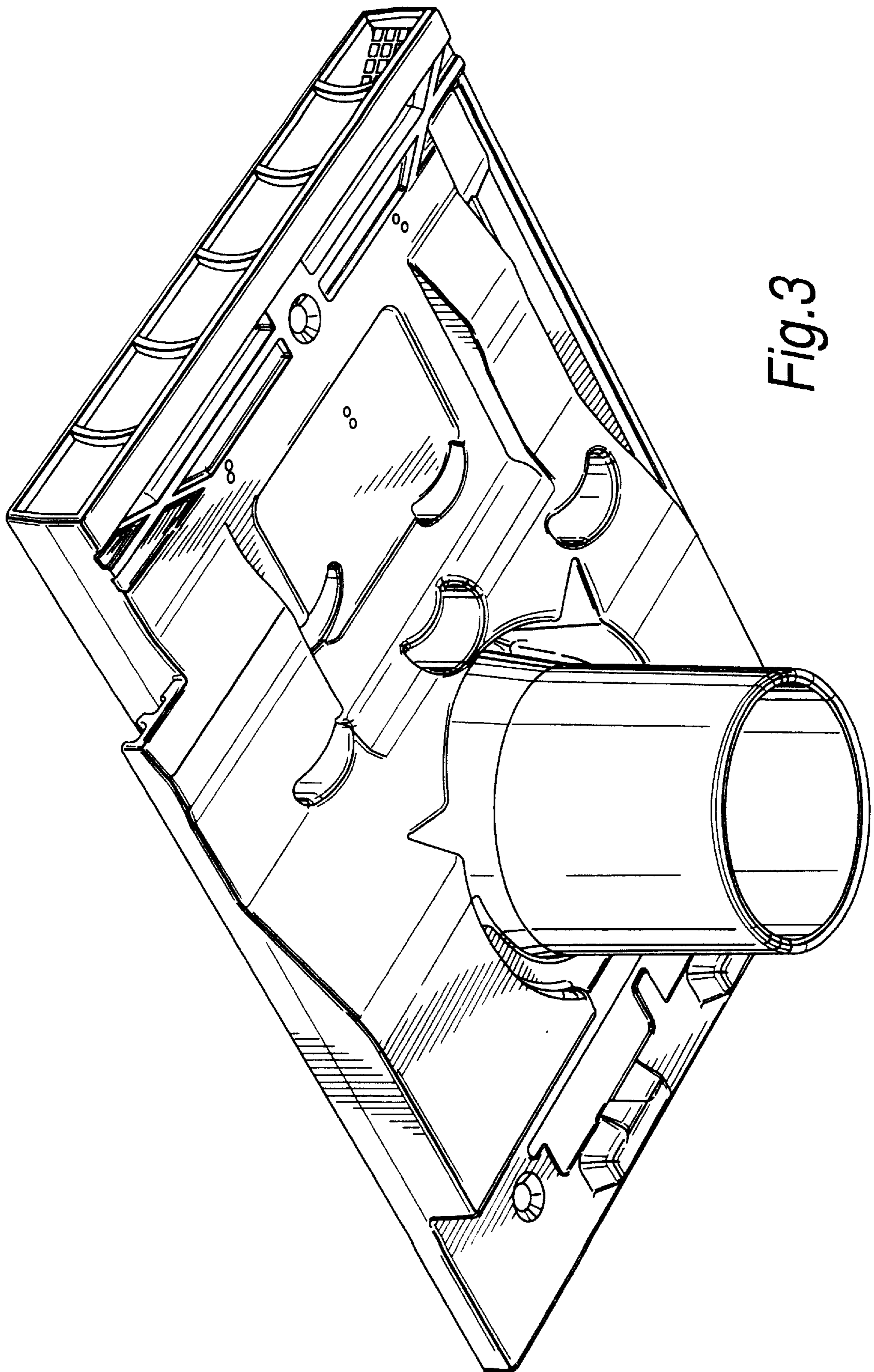


Fig. 3

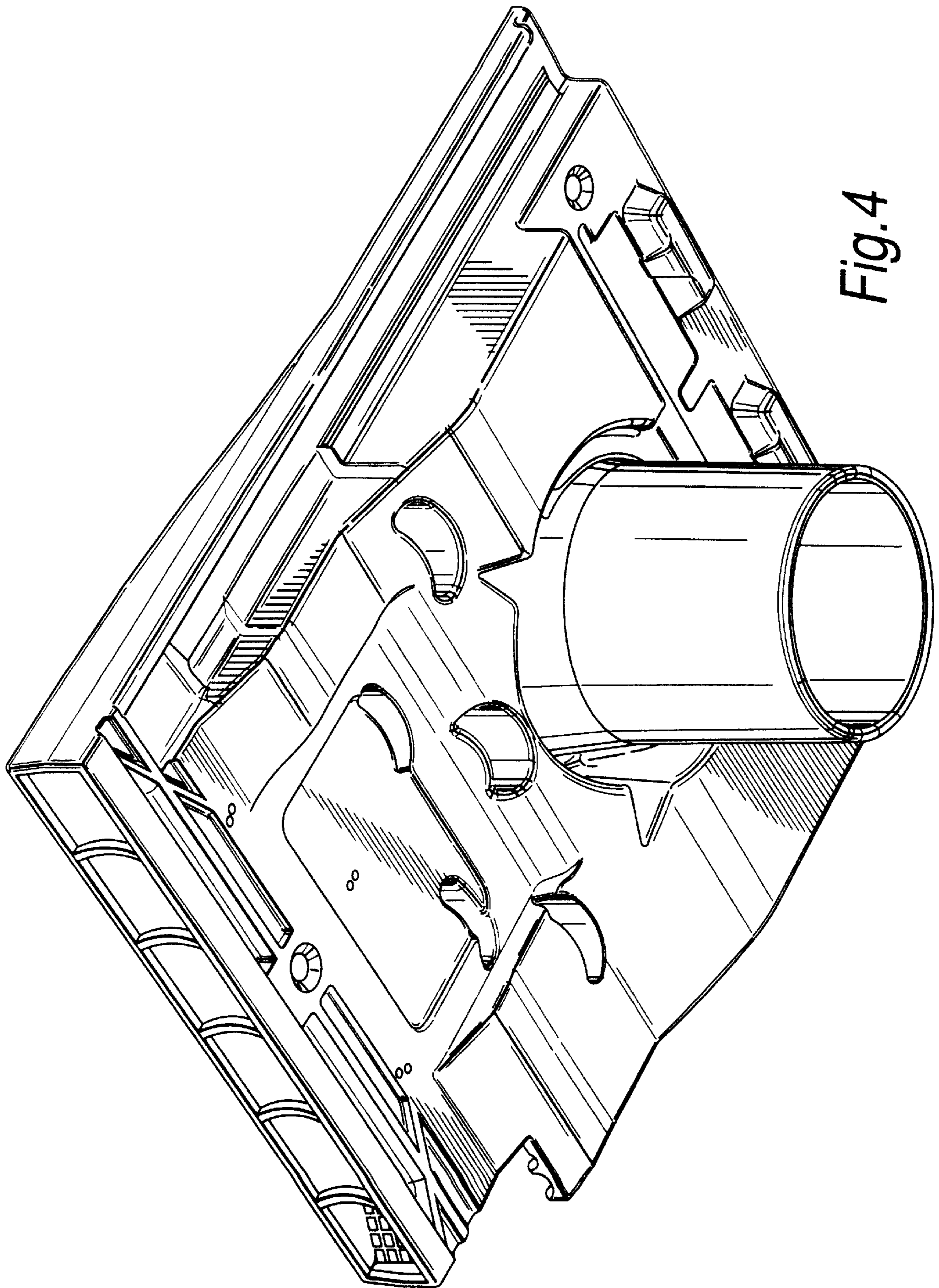


Fig. 4

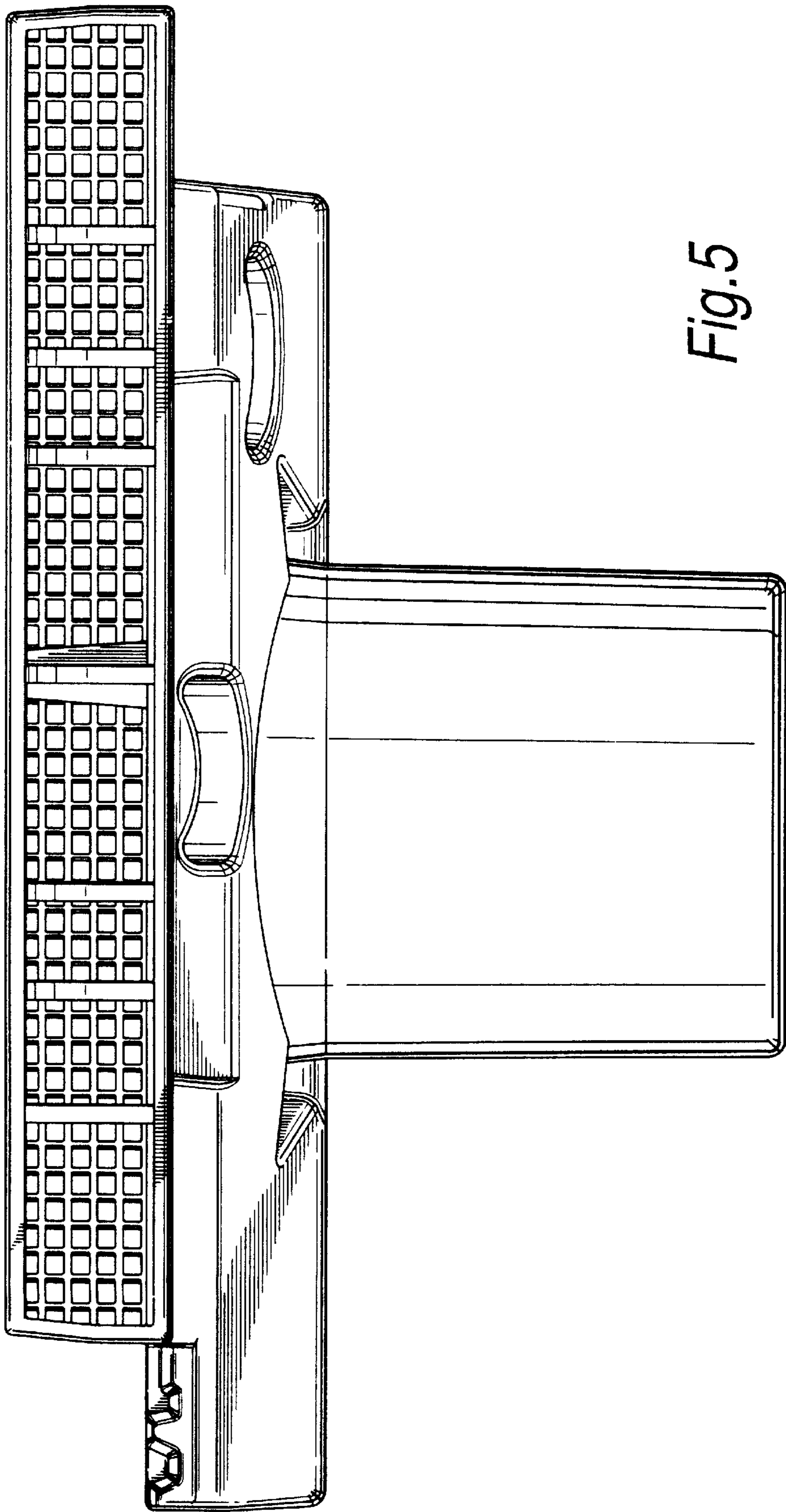


Fig. 5

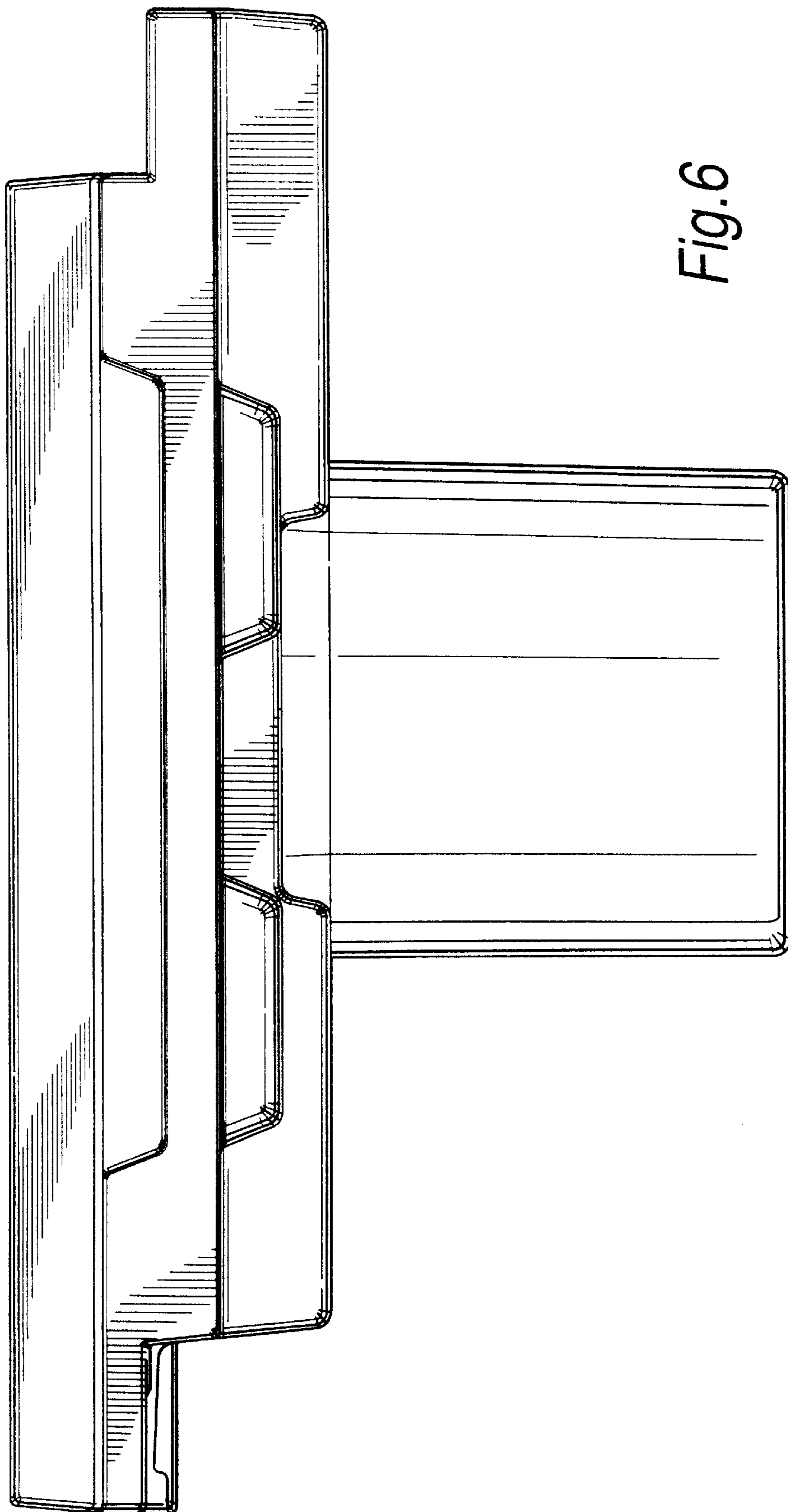


Fig. 6

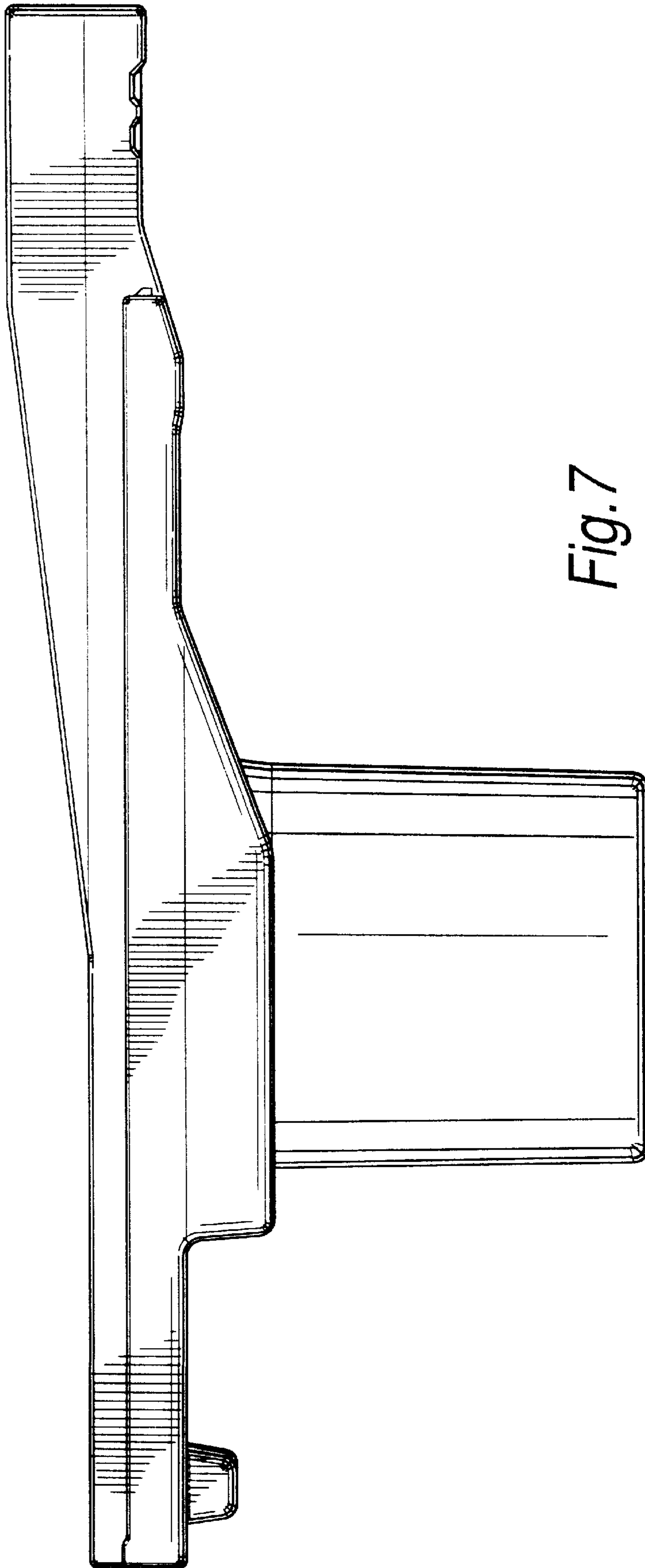


Fig. 7

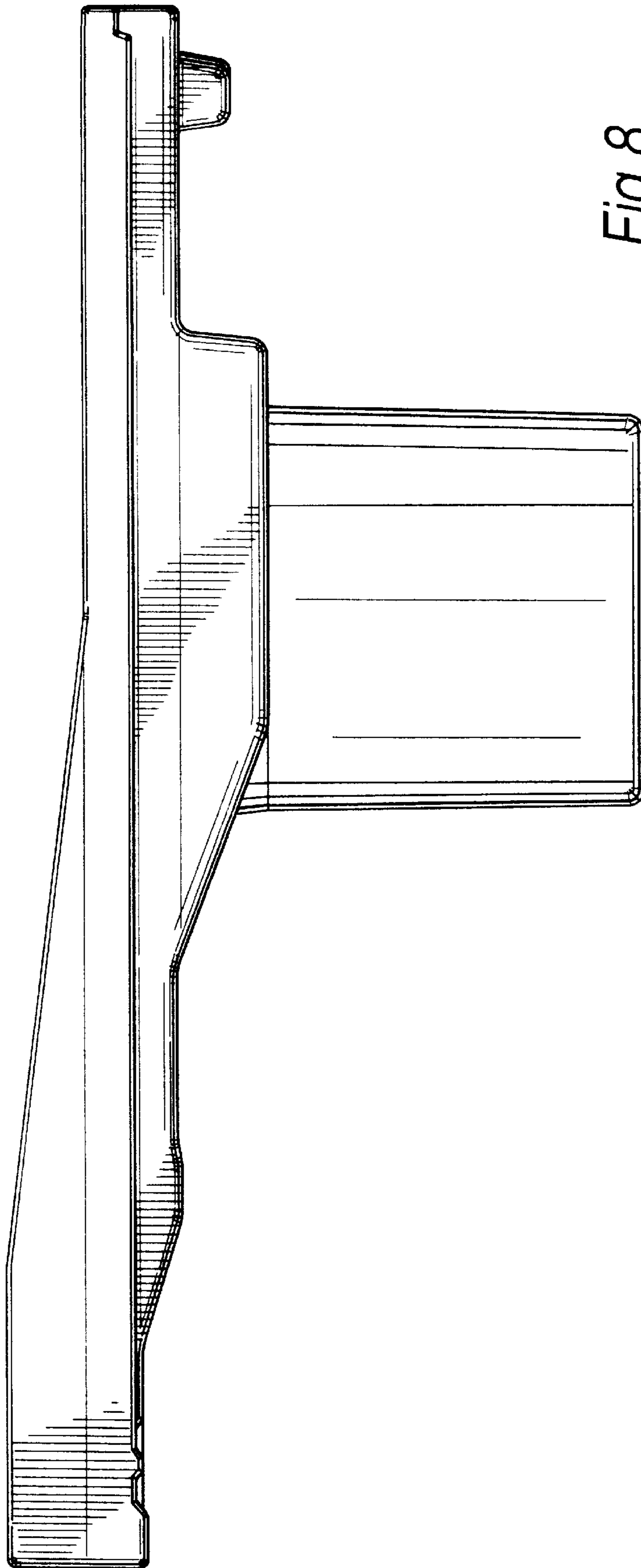


Fig. 8

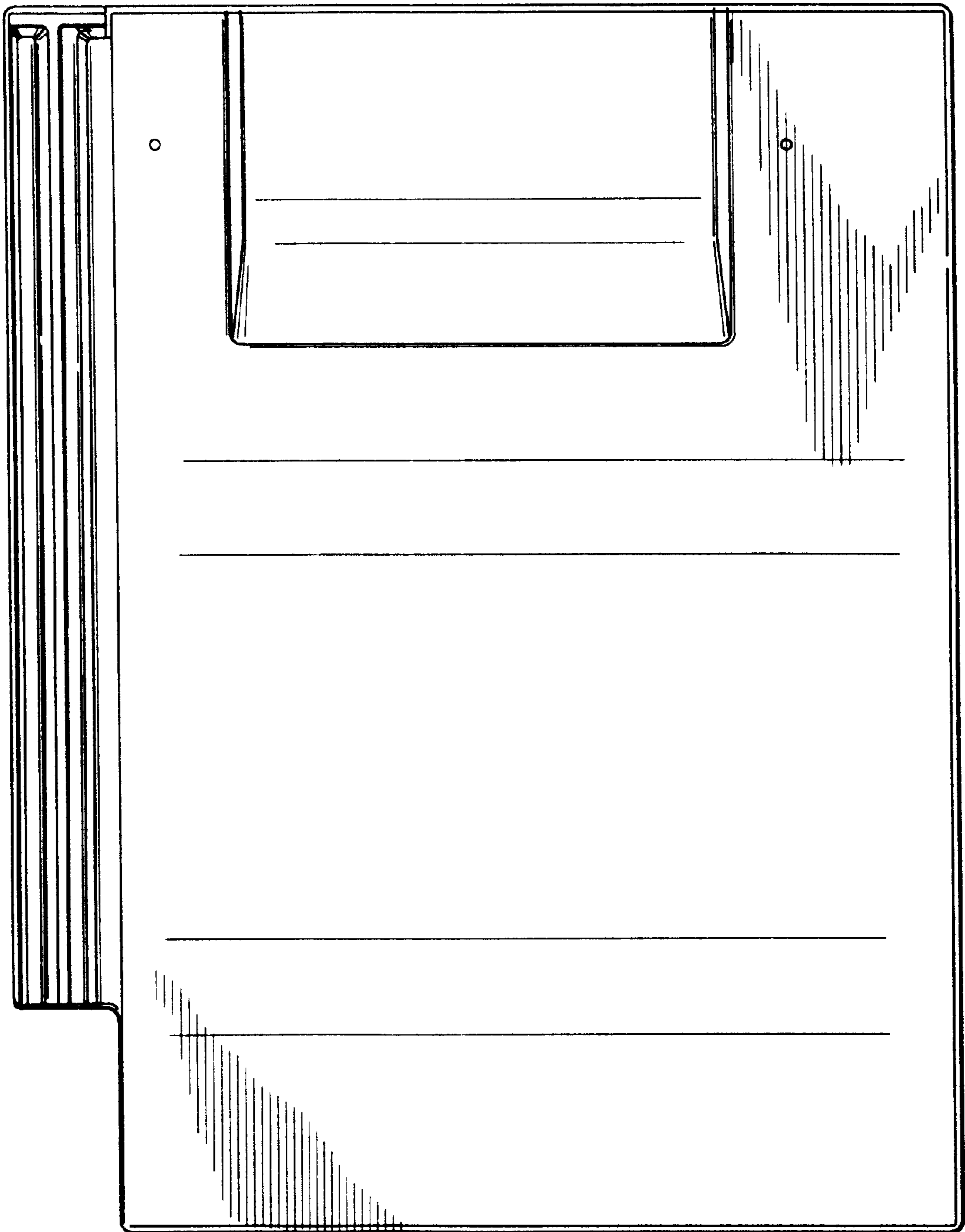


Fig.9

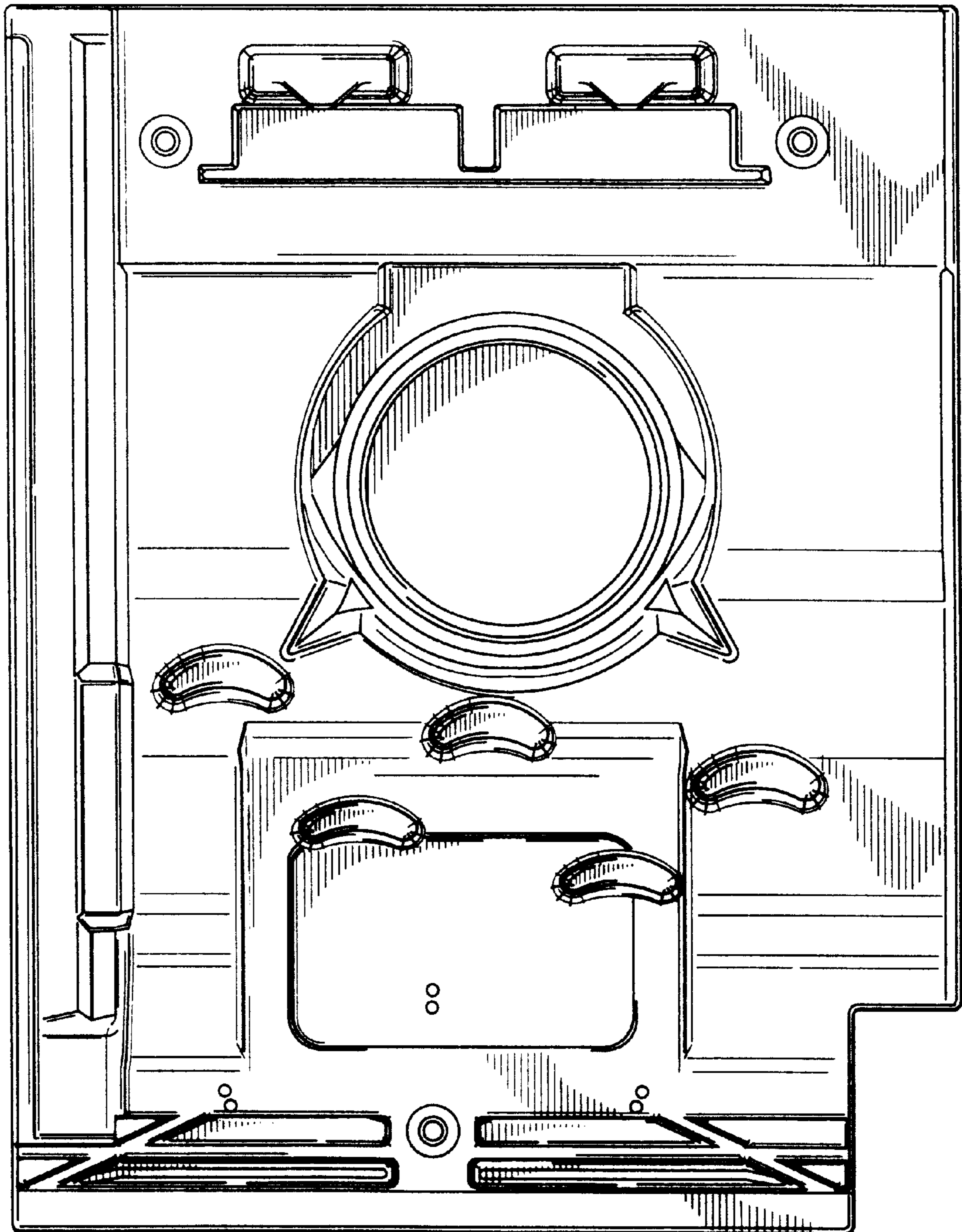


Fig. 10

UNITED STATES PATENT AND TRADEMARK OFFICE
CERTIFICATE OF CORRECTION

PATENT NO. : Des 442,273 S
DATED : May 15, 2001
INVENTOR(S) : Claire Pestell

Page 1 of 1

It is certified that error appears in the above-identified patent and that said Letters Patent is hereby corrected as shown below:

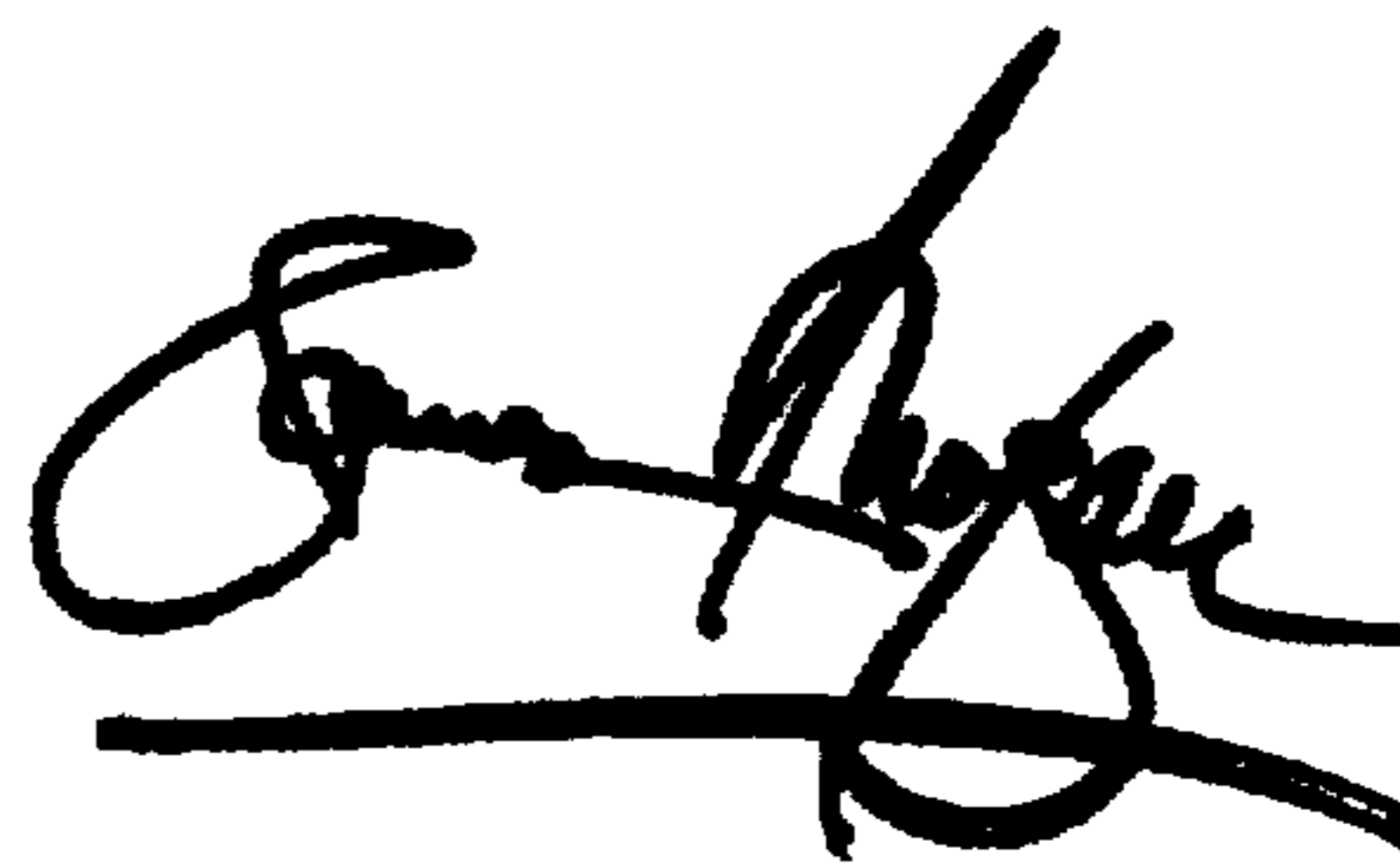
Title page.

Item [75], after "Pestell", delete "Broadbridge Heath" and substitute -- West Sussex --.

Signed and Sealed this

Twelfth Day of March, 2002

Attest:

A handwritten signature in black ink, appearing to read "James E. Rogan", written over a horizontal line.

Attesting Officer

JAMES E. ROGAN
Director of the United States Patent and Trademark Office